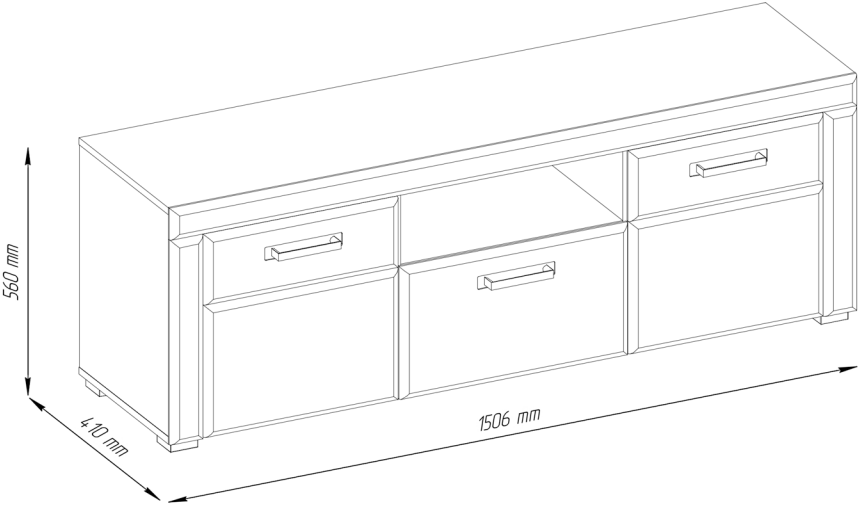
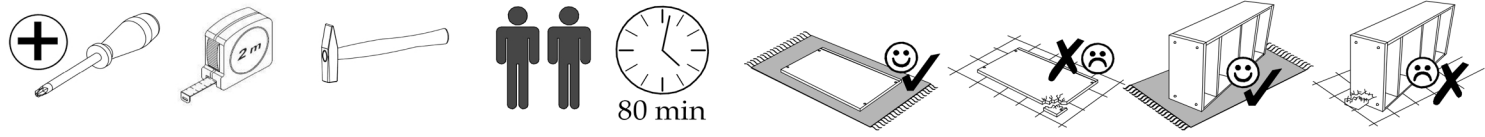


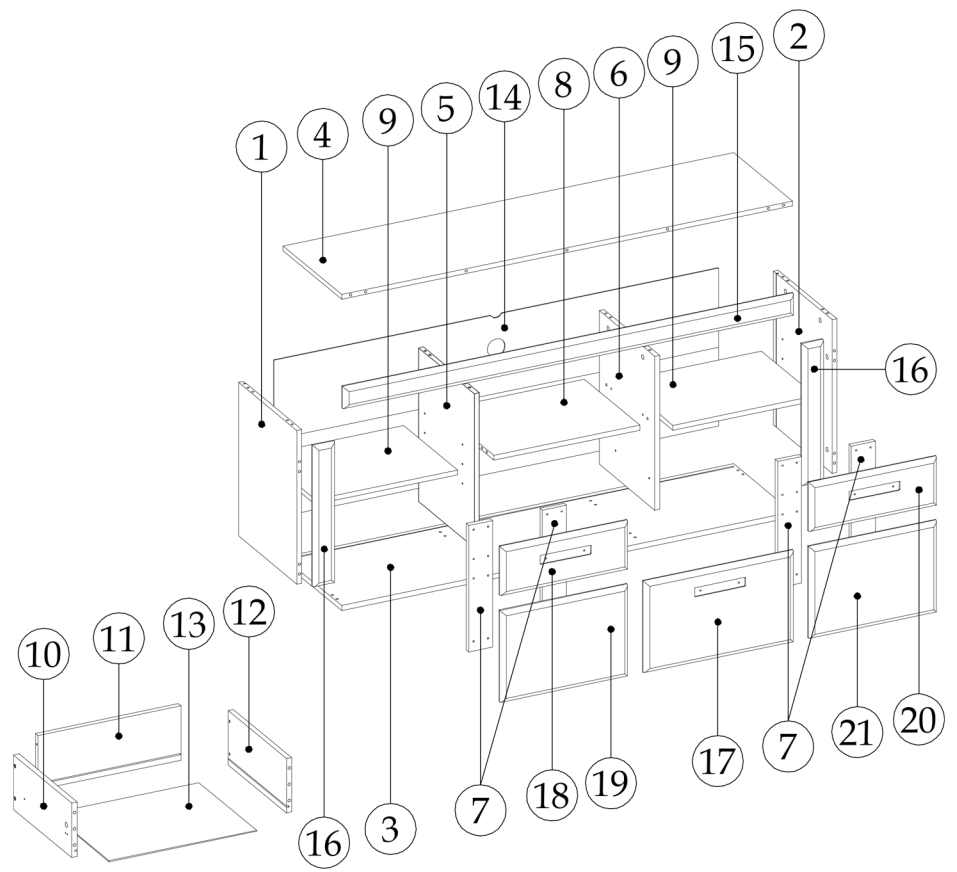
PUSAN B

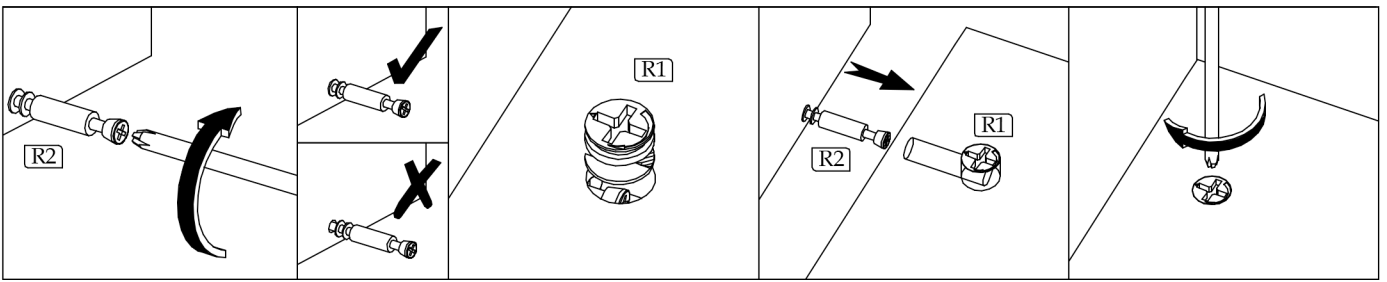


A1	x12	A3	x1	B	x30	C3	x4	E	x23	E4	x32
E5	x12	E8	x6	KN	x1	L1	x8	M	x3	N1	x6
P	x9	R1	x23	R2	x23	R3	x19	S1	x6	T	x12
W3	x1										

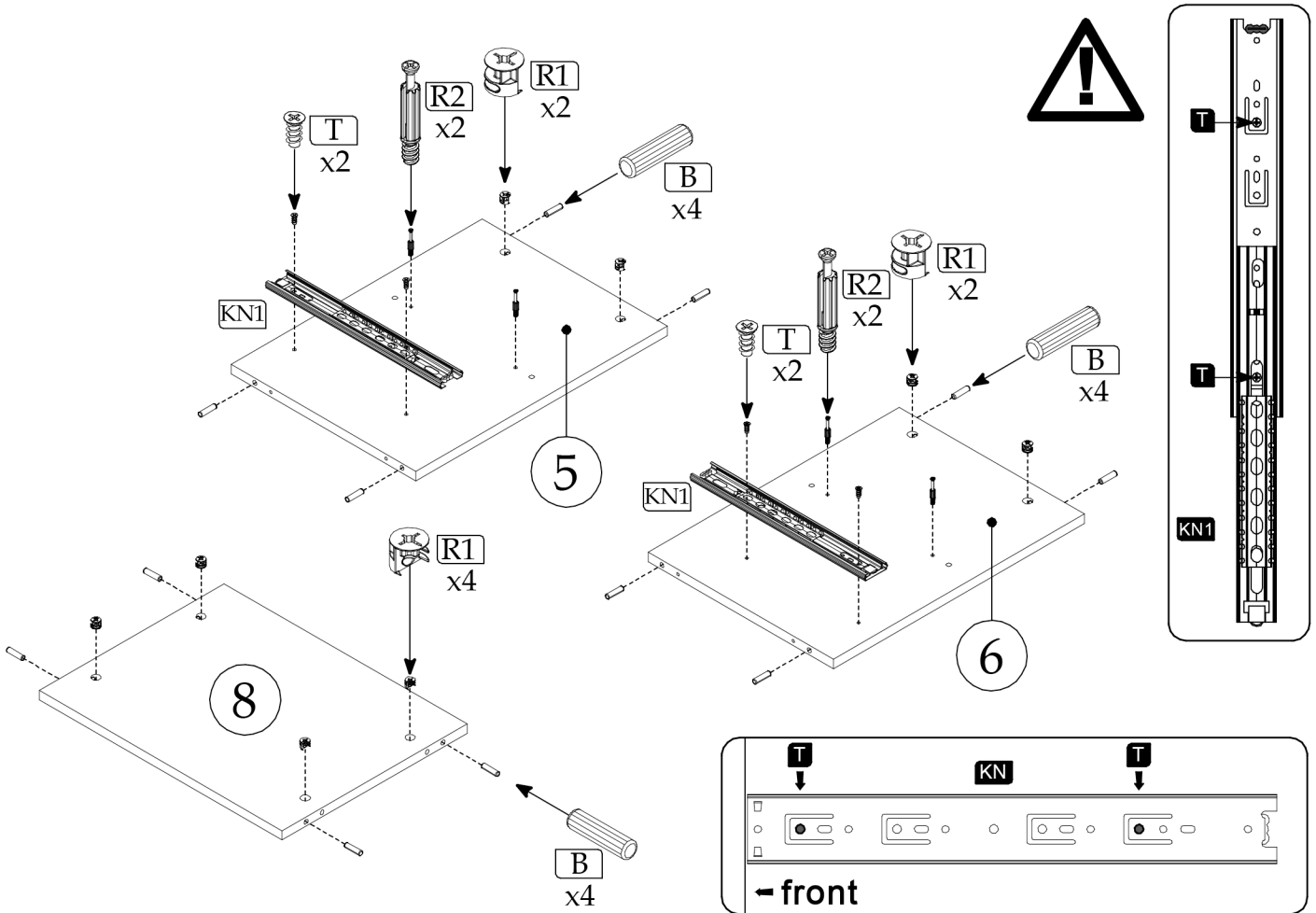
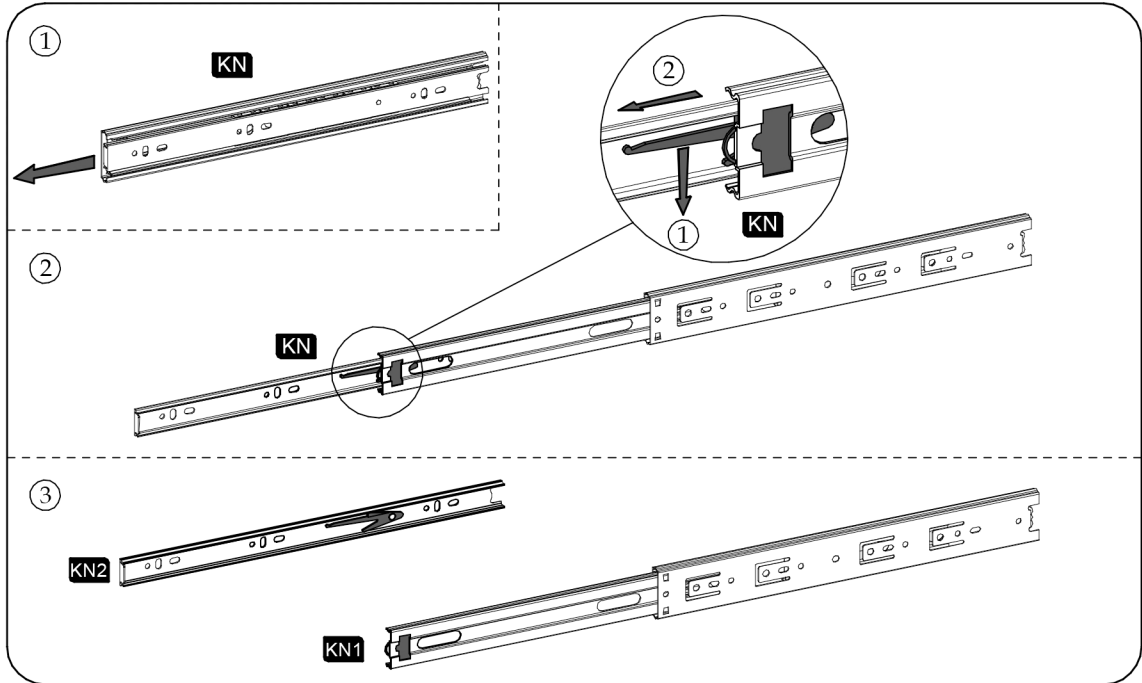
1	503	391	16	1	1001	1/2
2	503	391	16	1	1002	1/2
3	1506	391	16	1	1003	1/2
4	1506	391	16	1	1004	1/2
5	503	371	16	1	1005	1/2
6	503	371	16	1	1006	1/2
7	415	80	16	4	1007	1/2
8	487	370.5	16	1	1024	1/2
9	476	350	16	2	N/A	1/2
10	350	160	16	1	1026	1/2

11	429.5	160	16	1	1027	1/2
12	350	160	16	1	1028	1/2
13	443.5	346	3	1	N/A	1/2
14	1486	517	3	1	1011	1/2
15	1506	72	19	1	3002	1/2
16	464	72	19	2	3039	2/2
17	500	300	19	1	3040	2/2
18	426	160	19	1	3041	2/2
19	426	300	19	1	3042	2/2
20	426	160	19	1	3043	2/2
21	426	300	19	1	3044	2/2

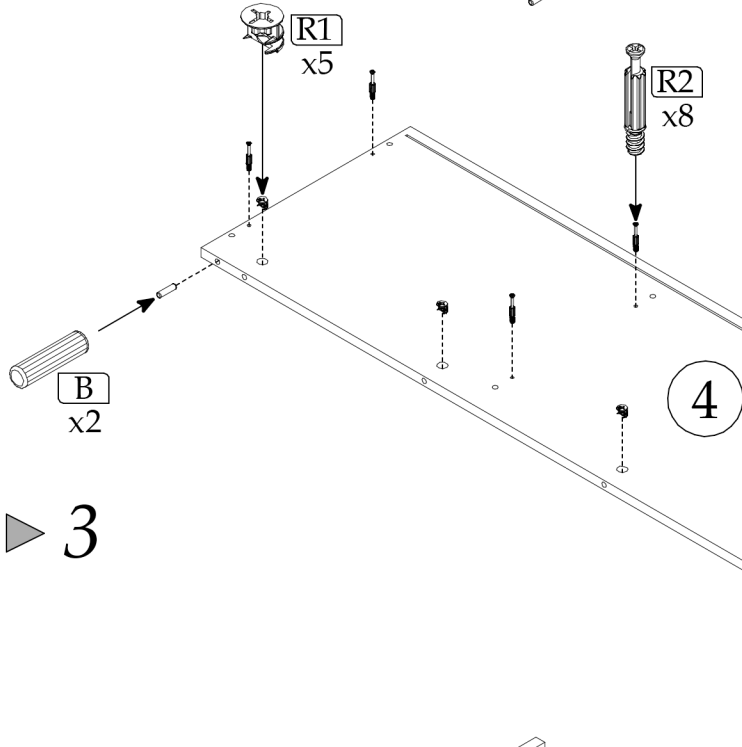
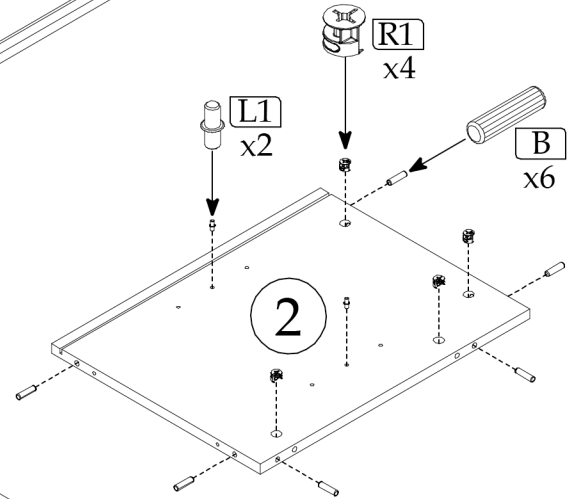
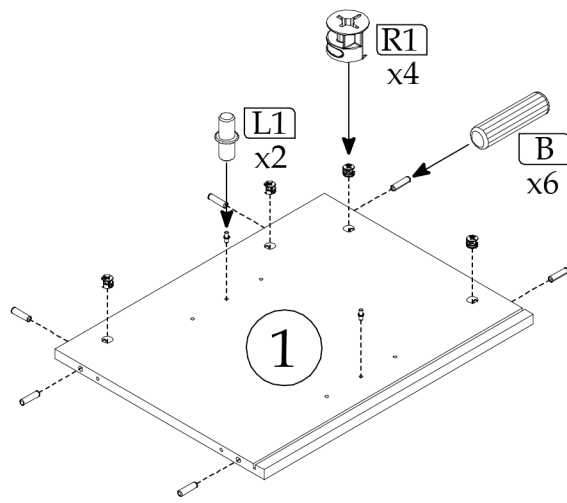




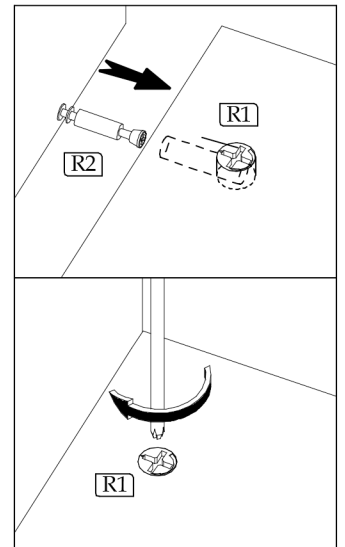
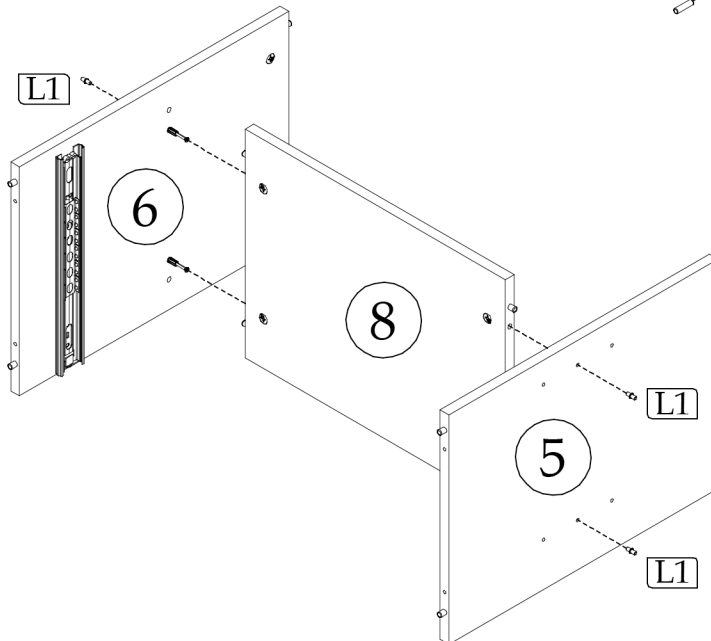
▶ 1



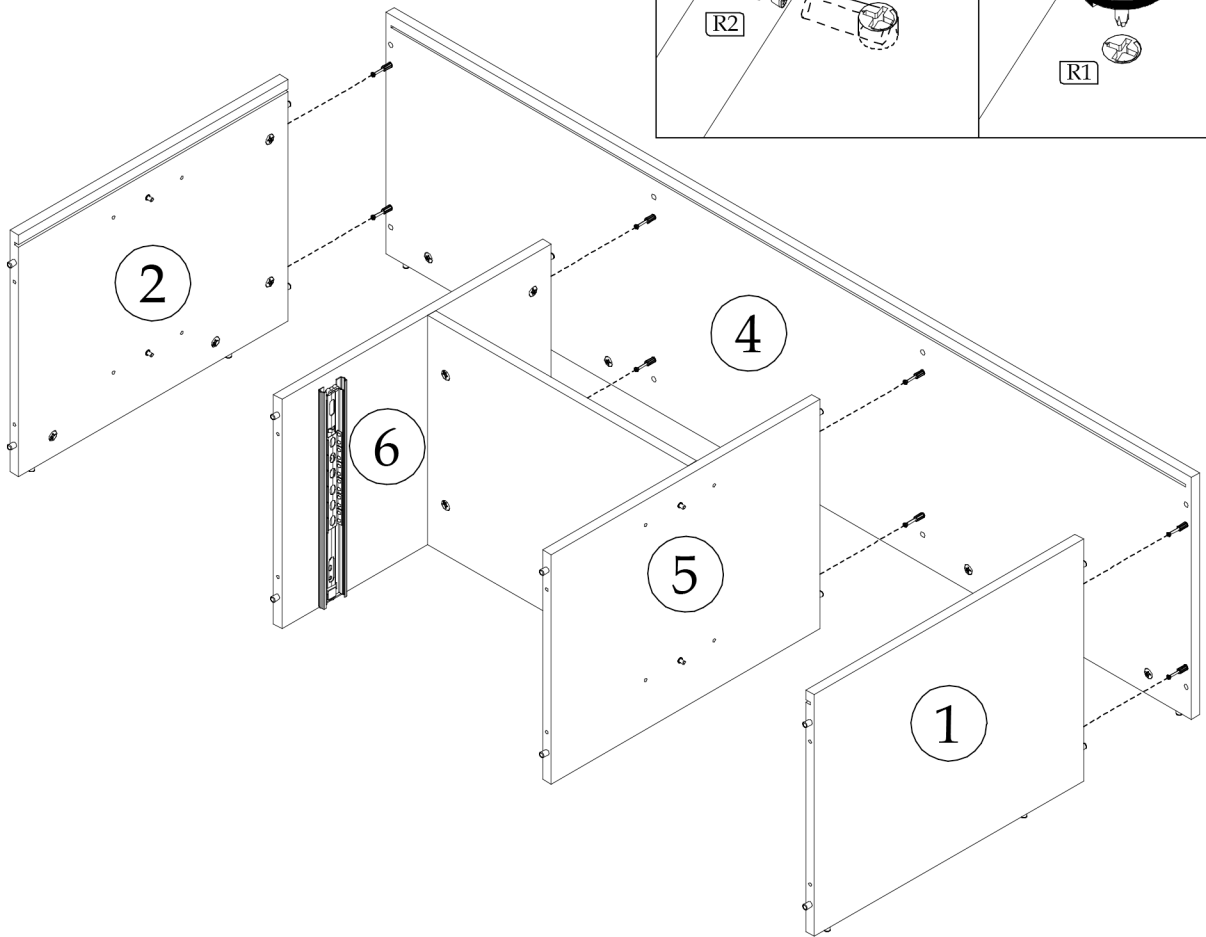
▶ 2



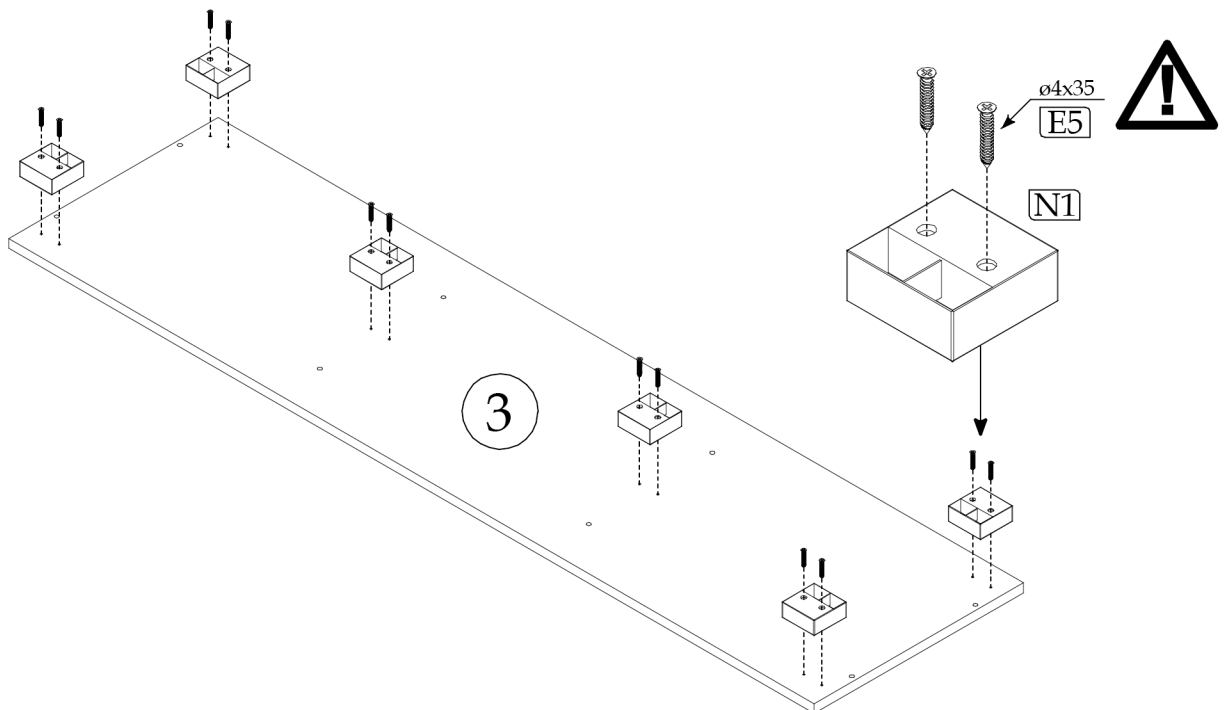
▶ 3



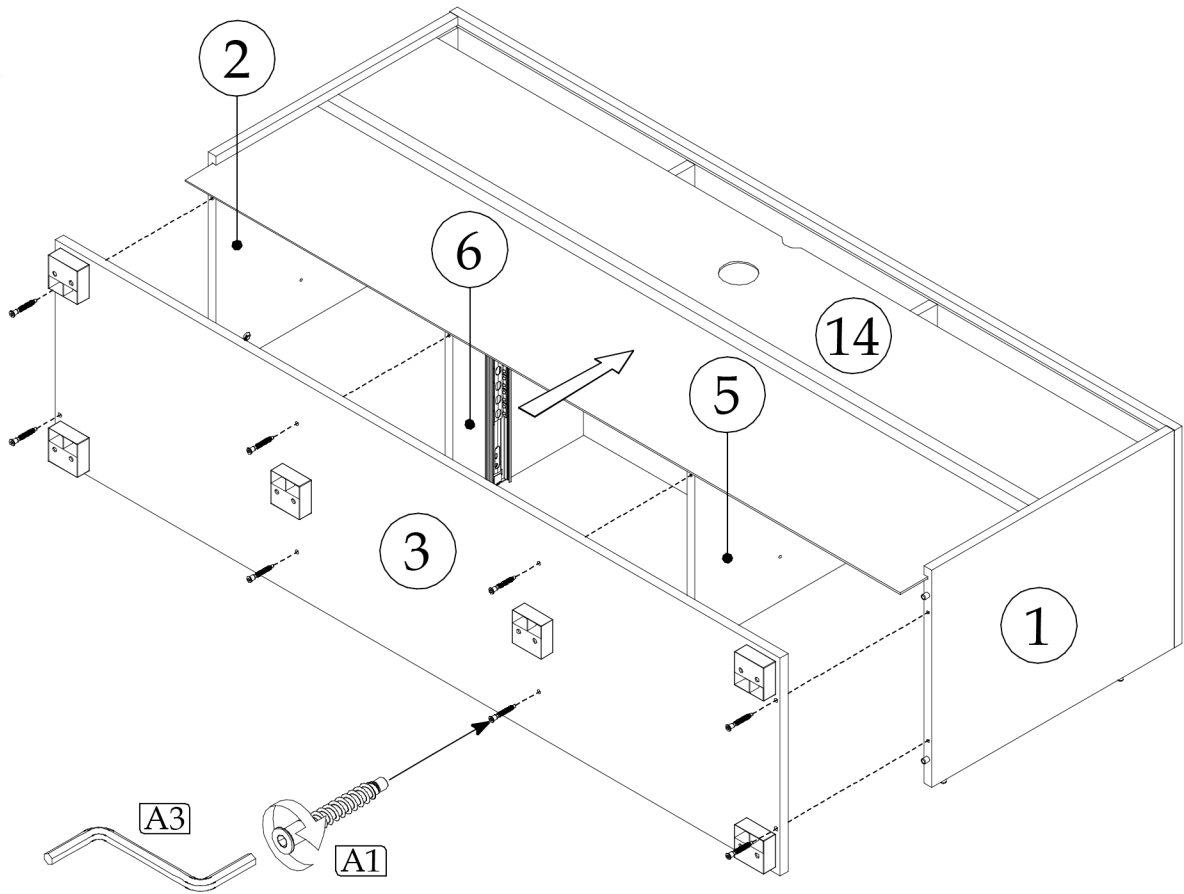
▶ 4



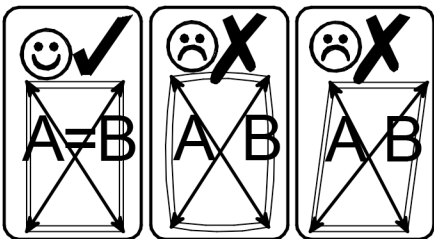
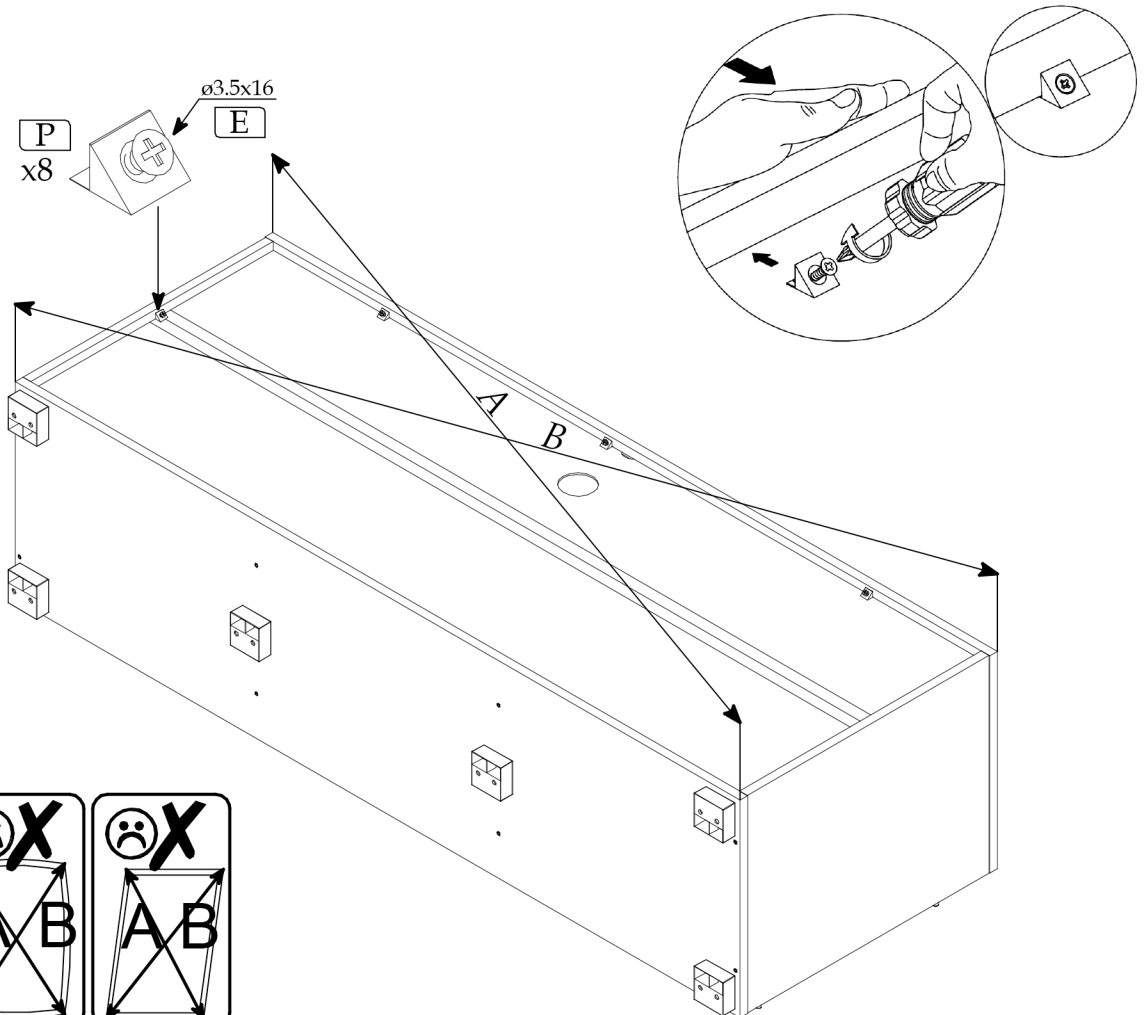
▶ 5



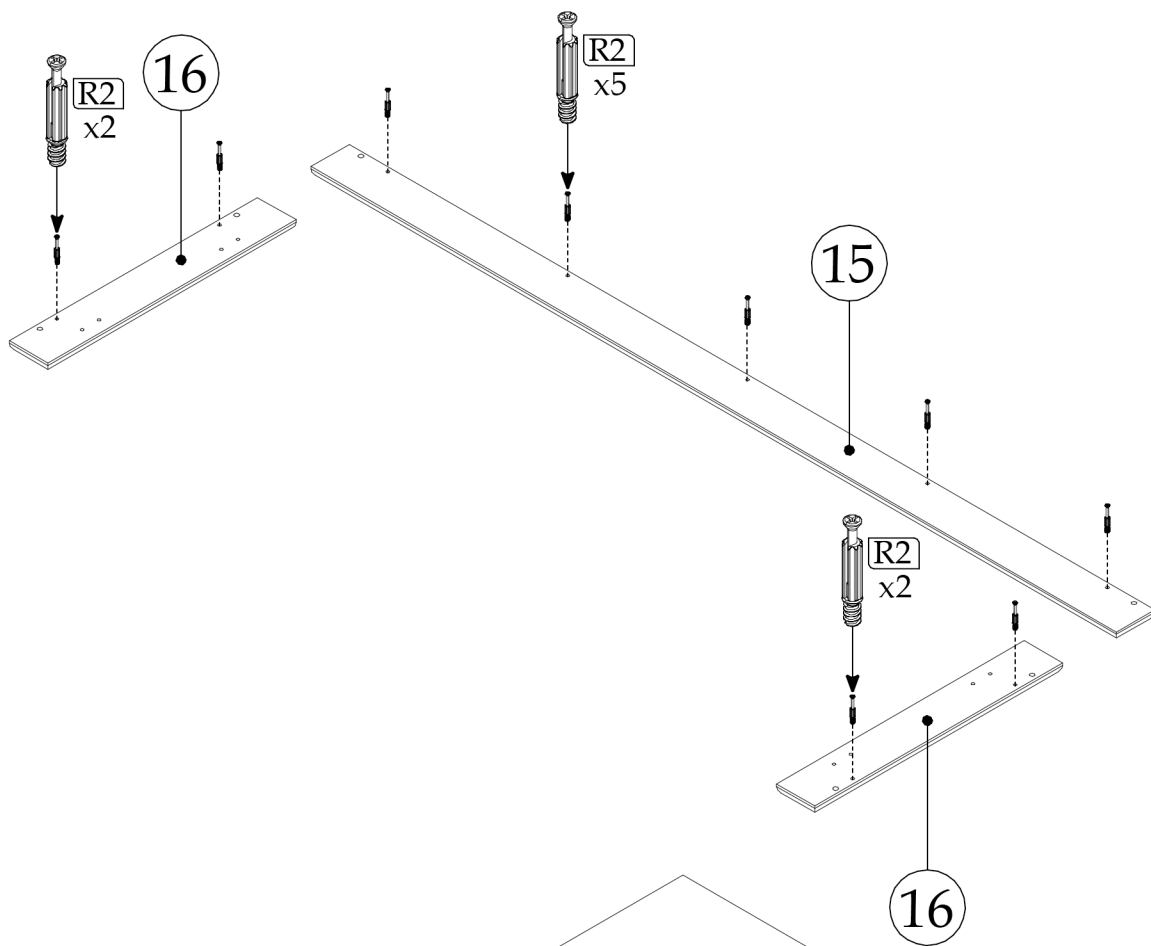
▶ 6



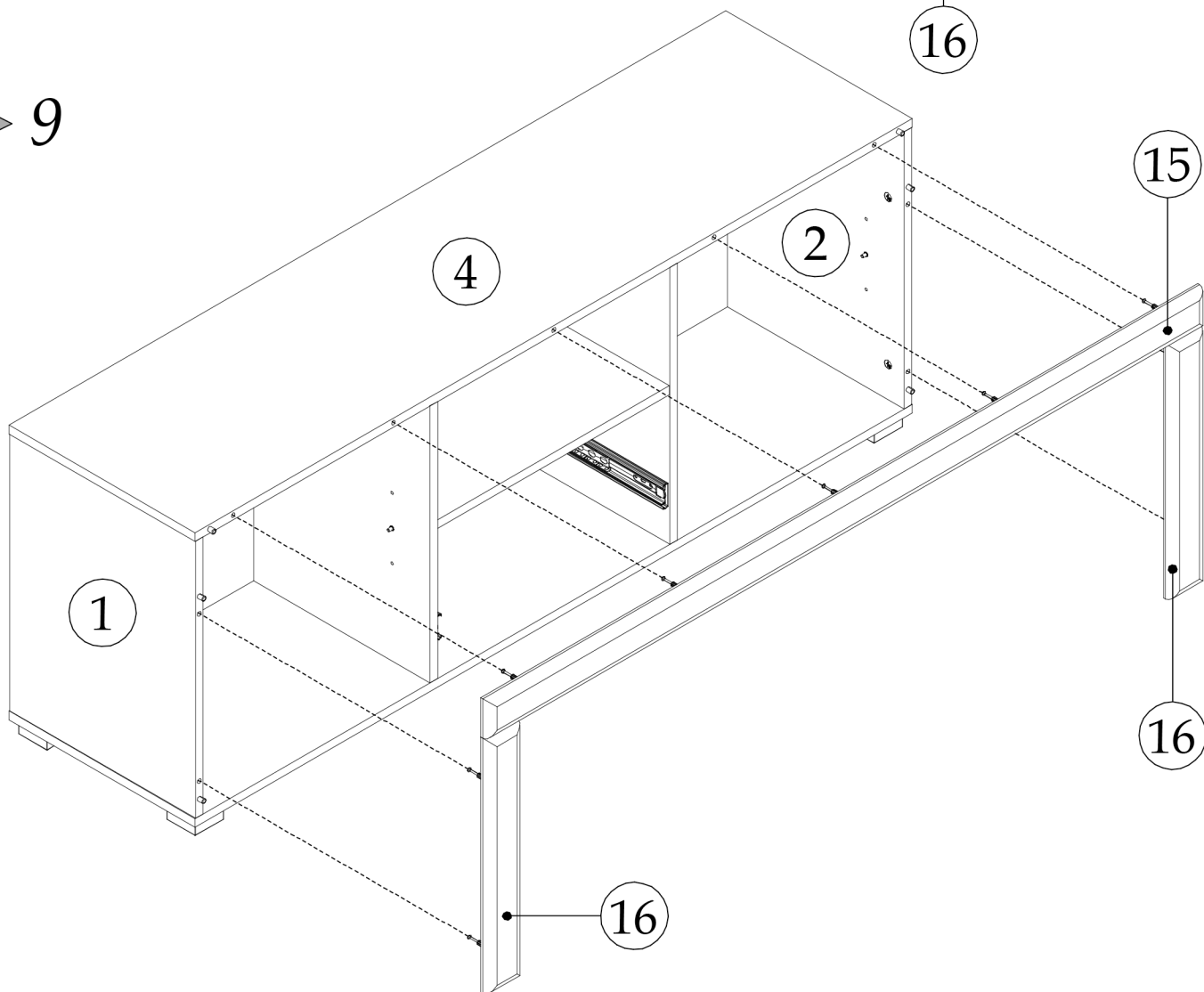
▶ 7



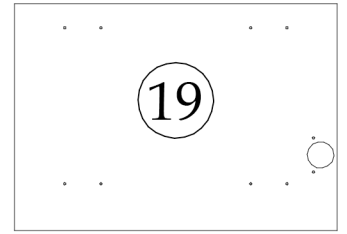
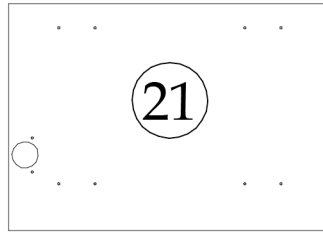
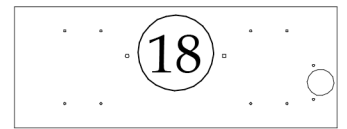
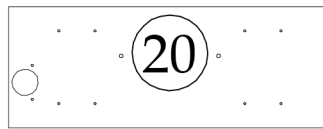
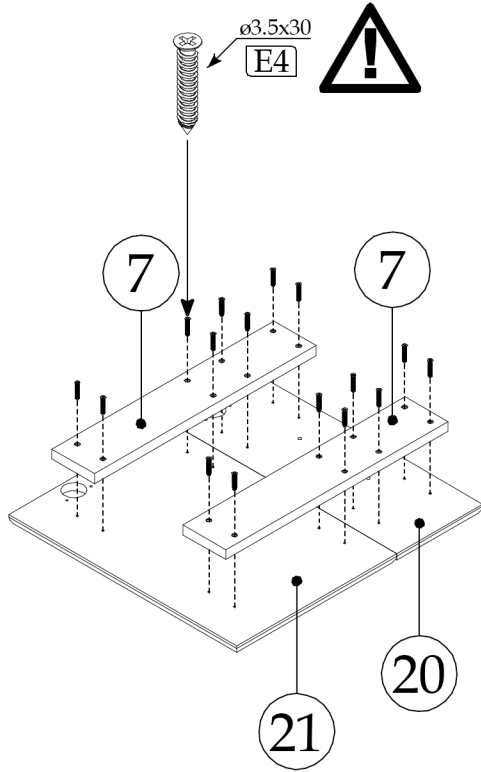
▶ 8



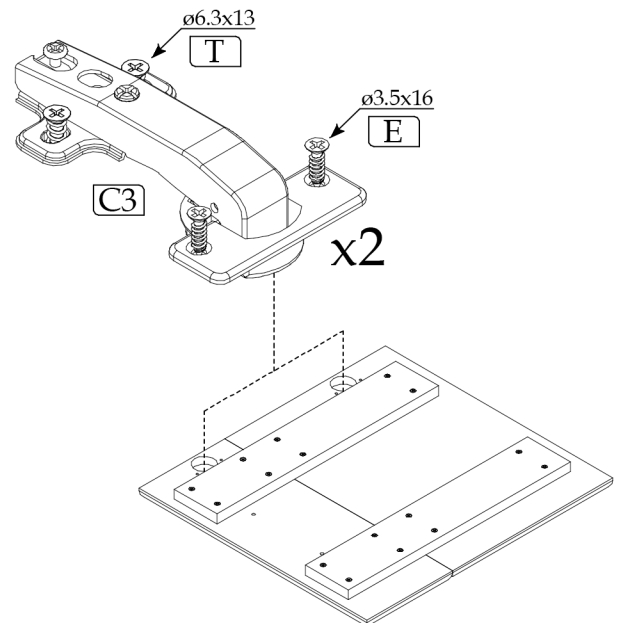
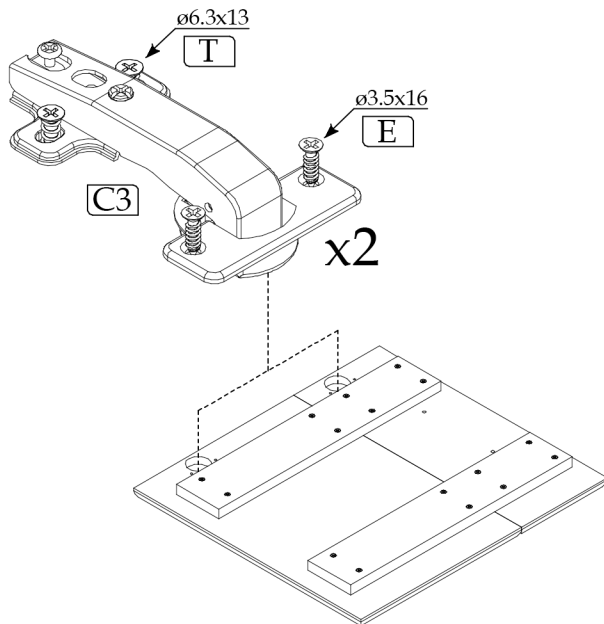
▶ 9



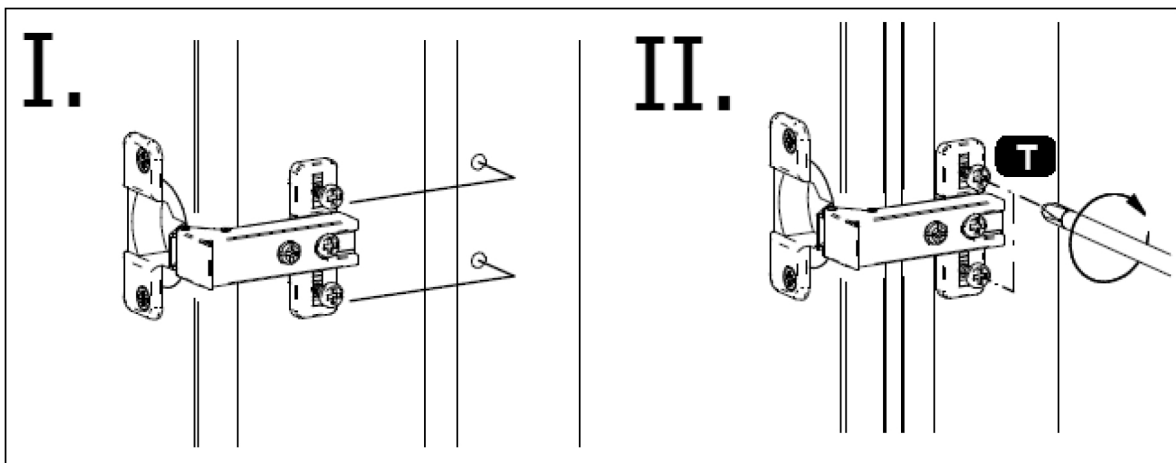
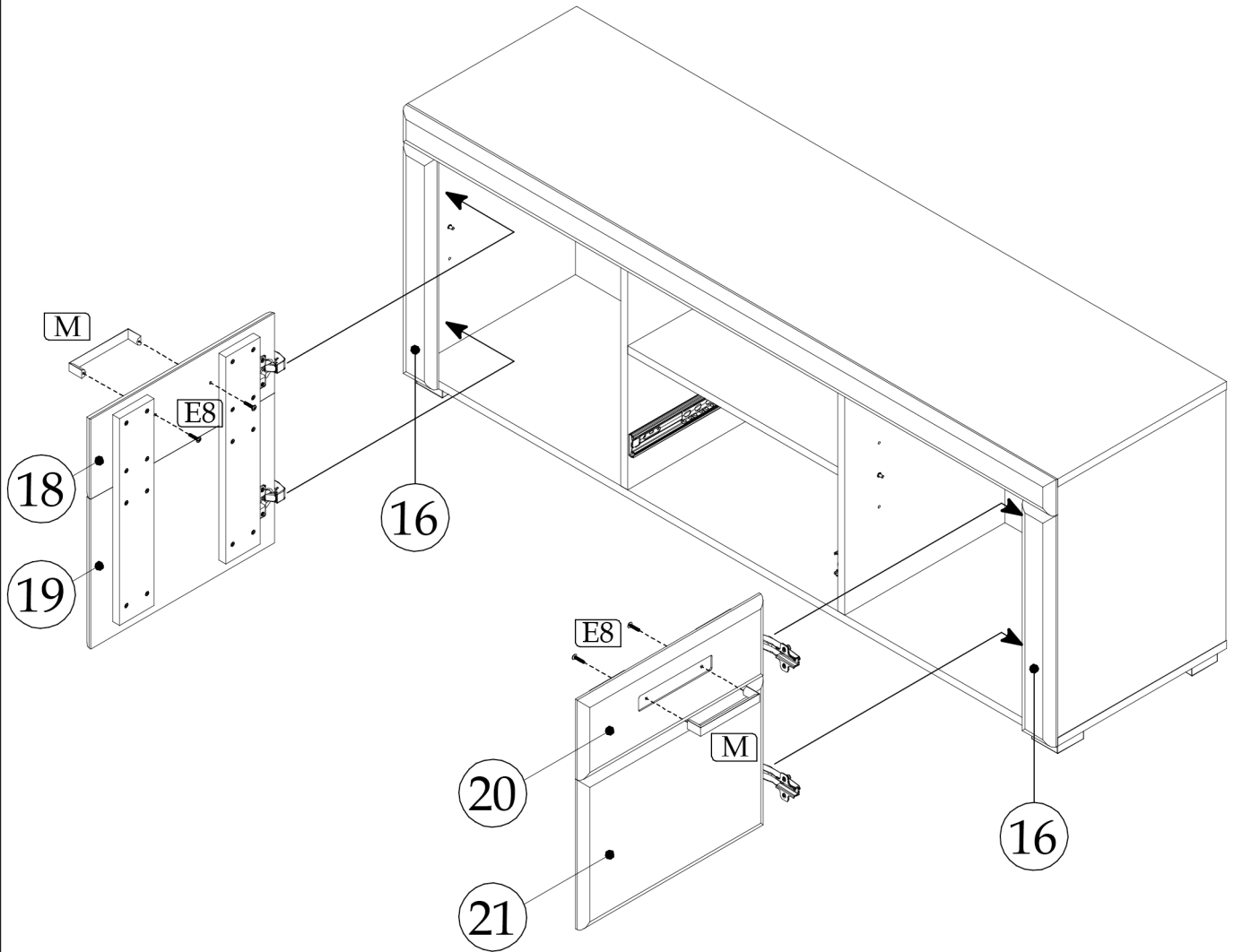
► 10



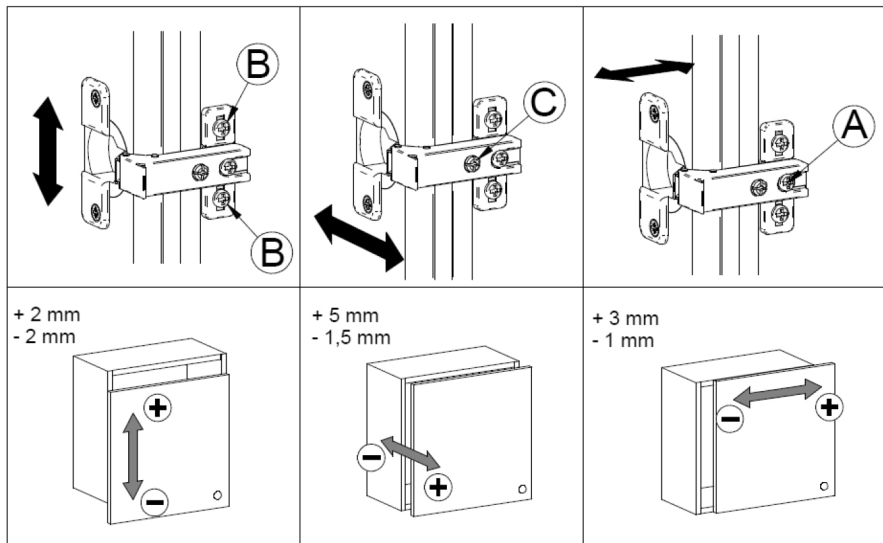
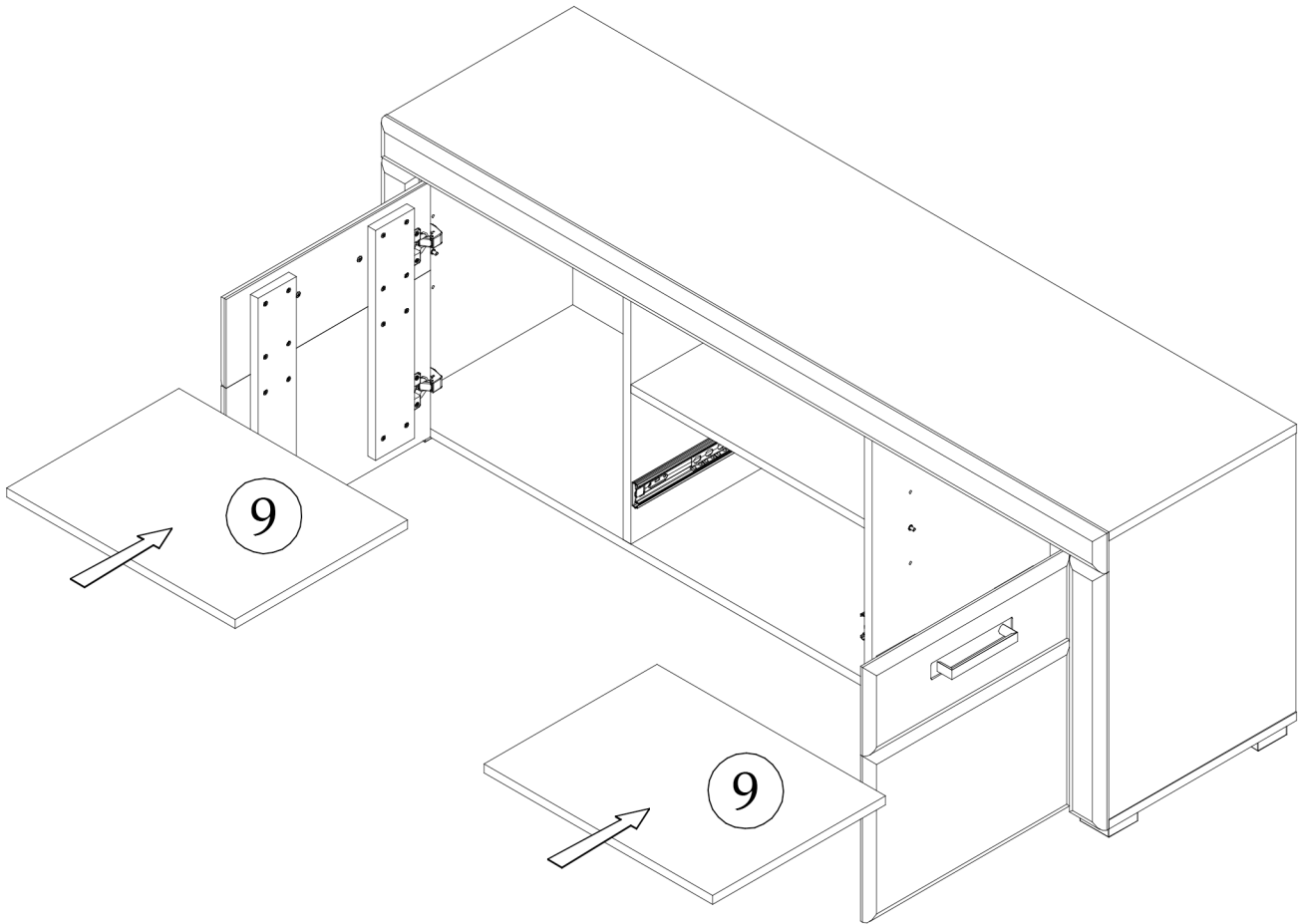
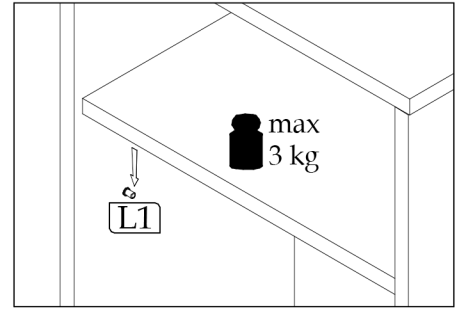
► 11



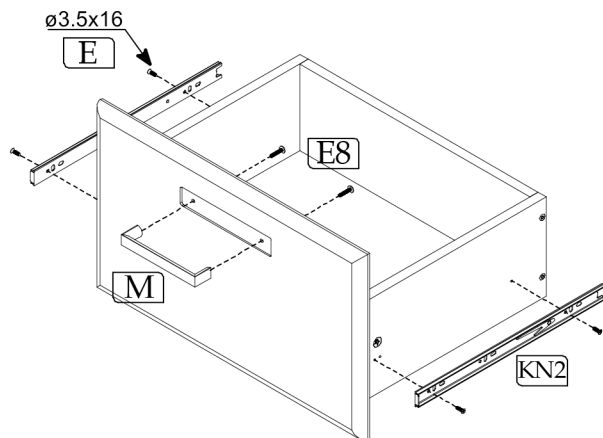
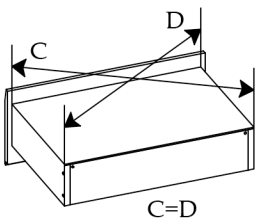
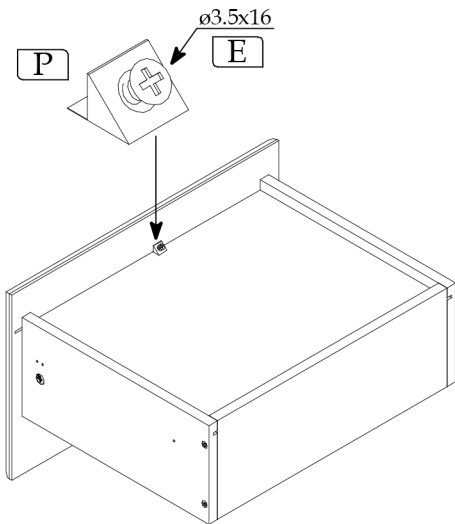
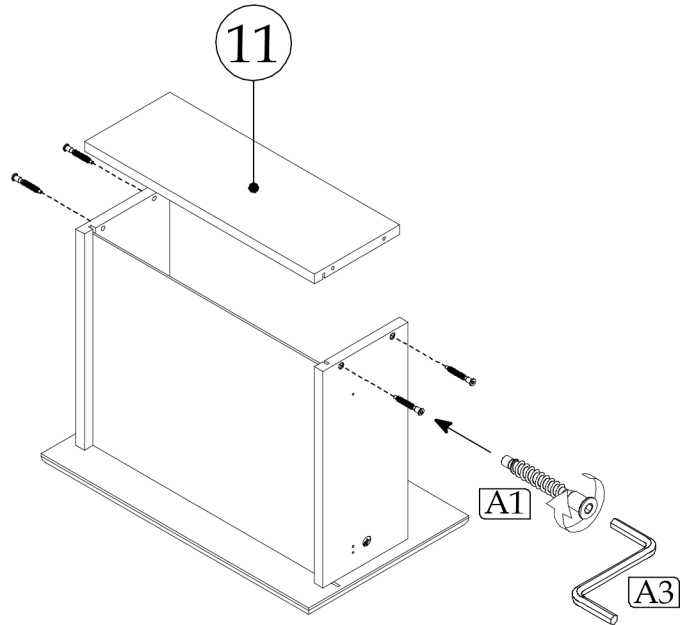
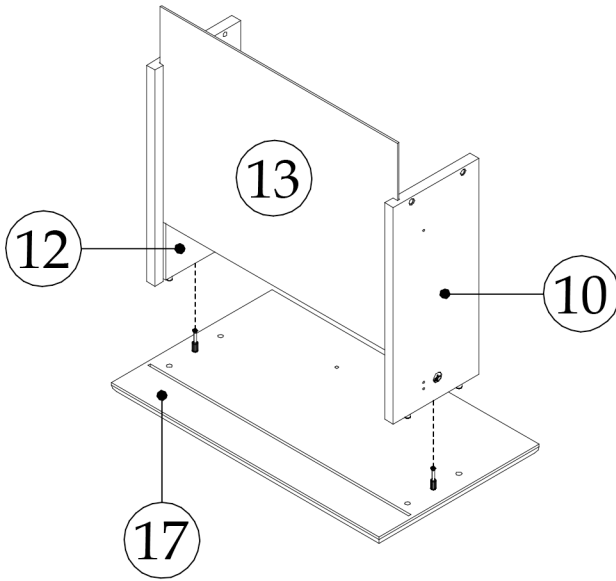
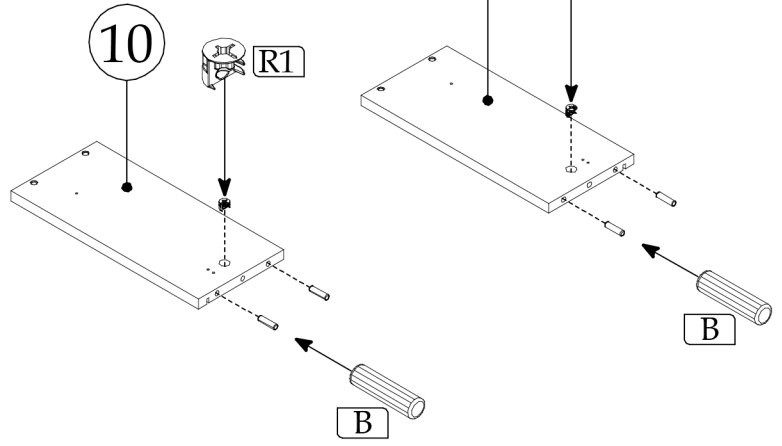
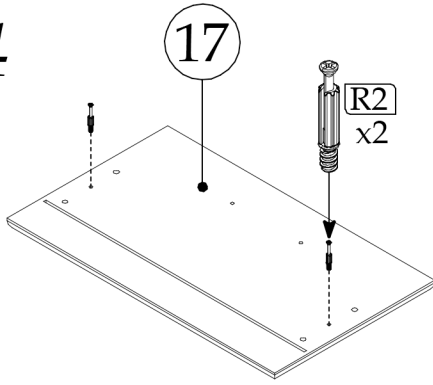
► 12



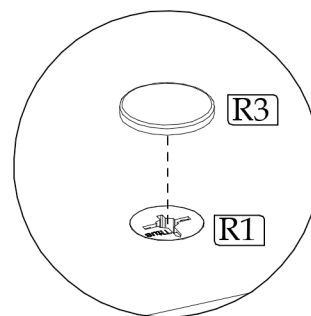
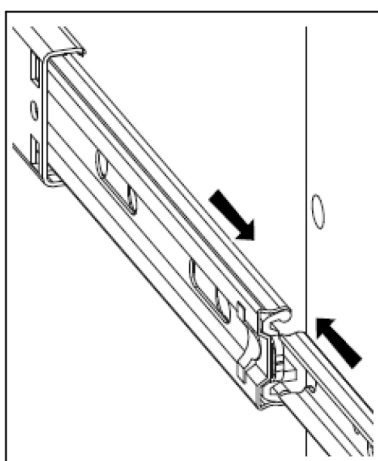
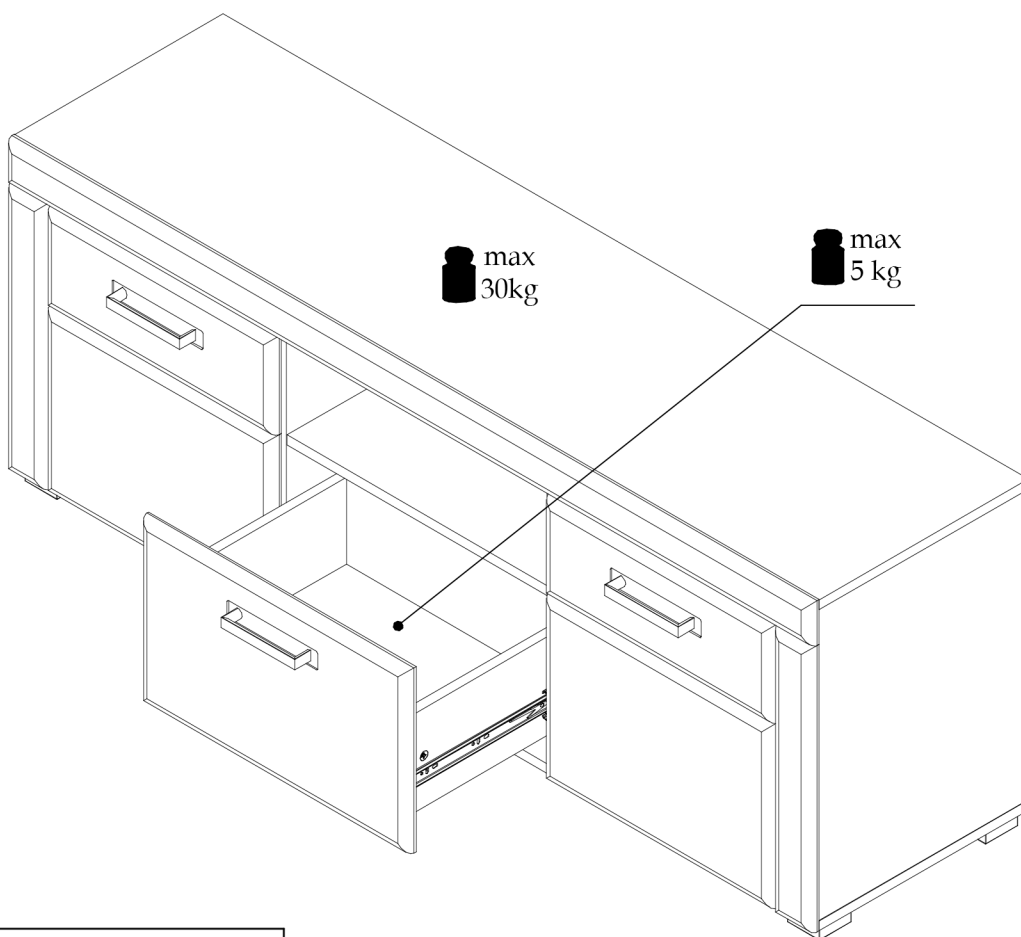
► 13



▶ 14



► 15



▶ 16

