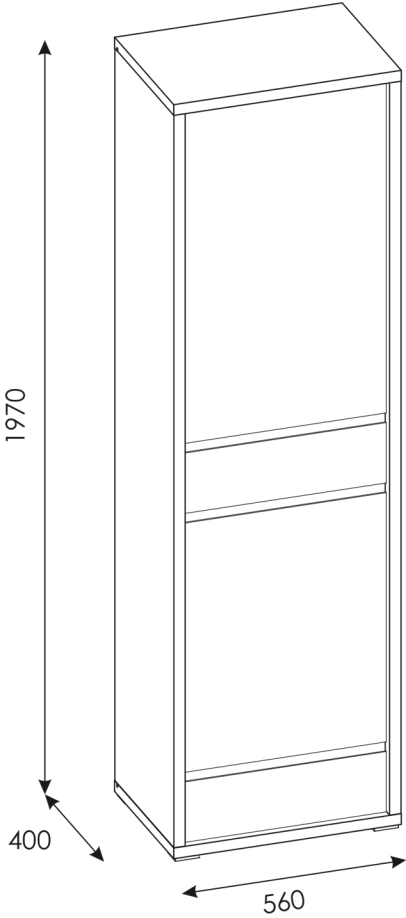
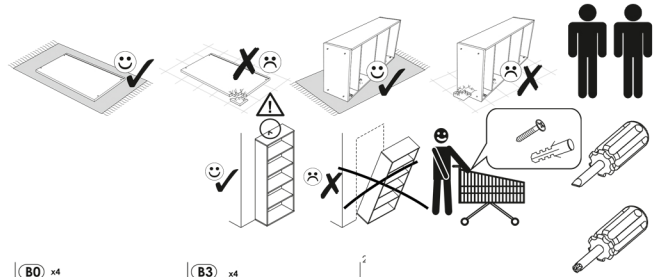
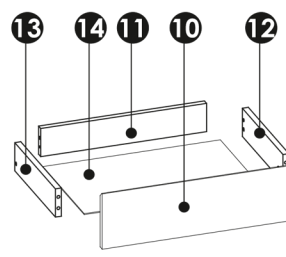
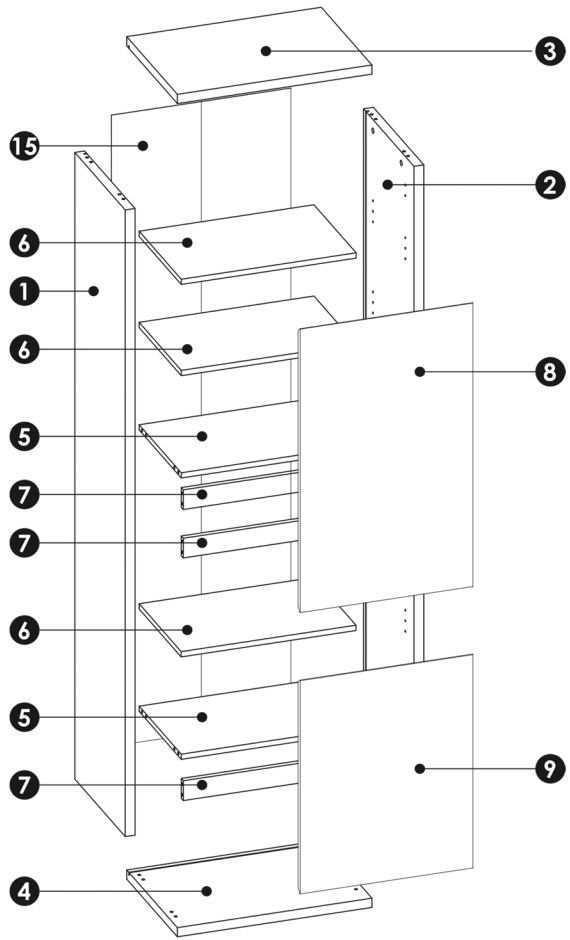
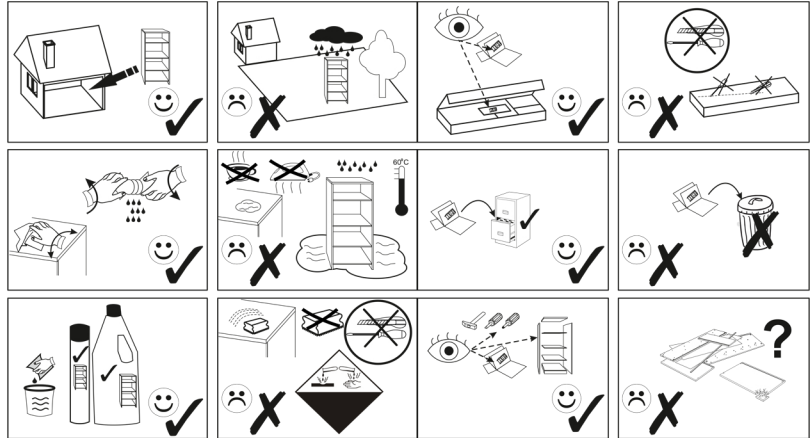


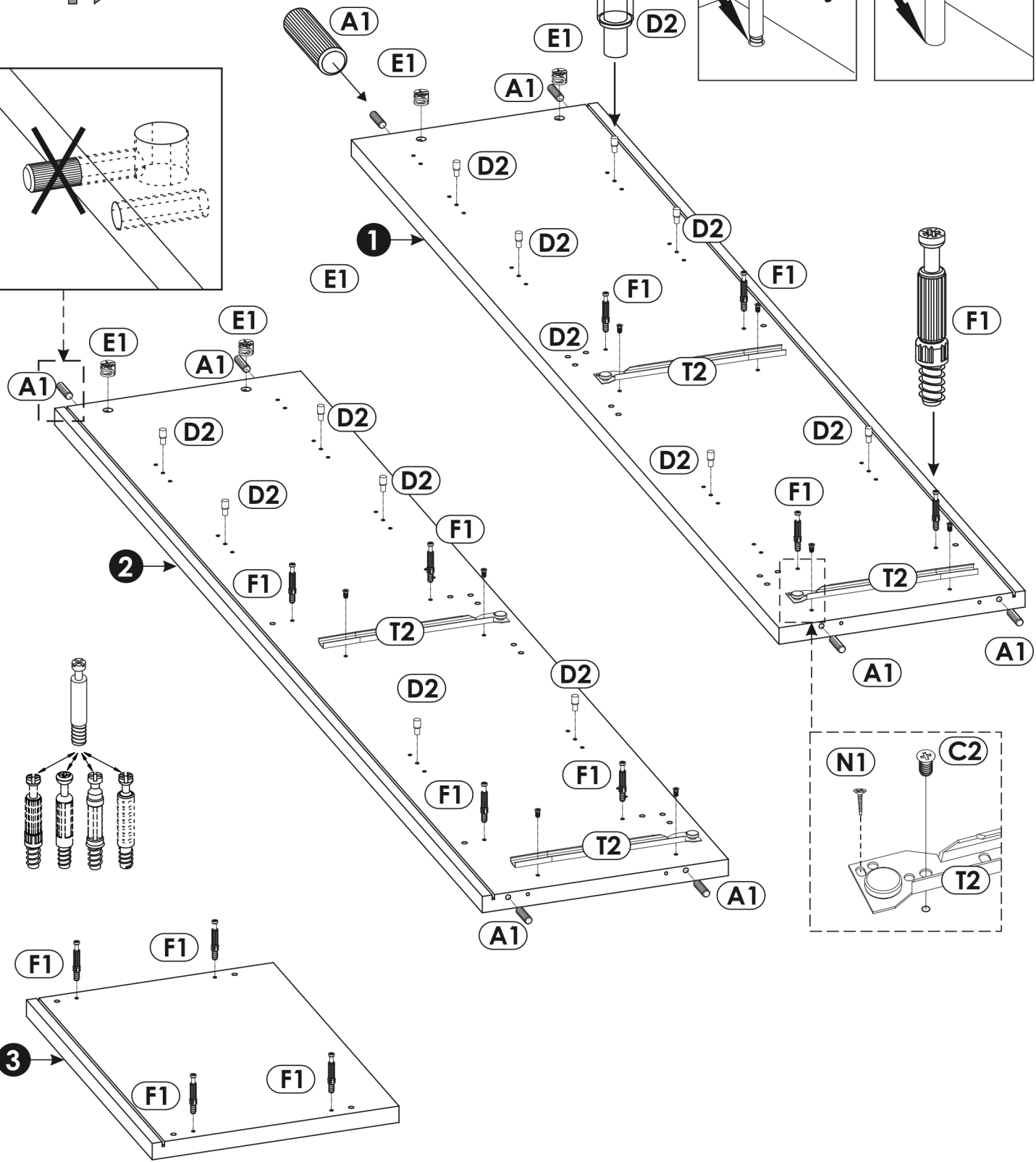
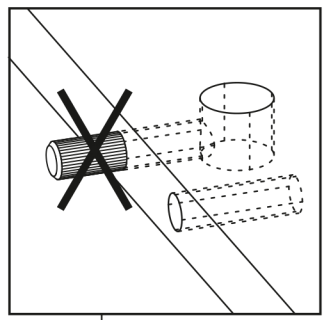
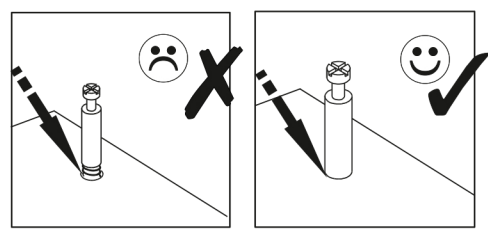
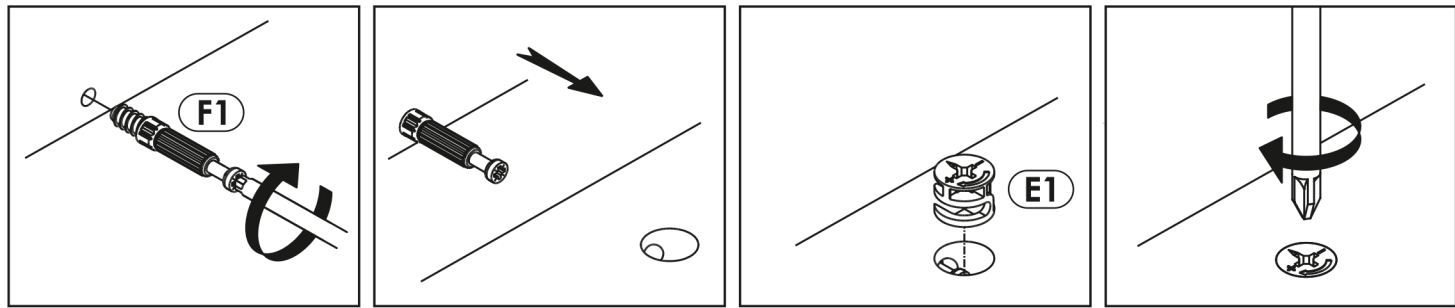
SHELDON - 10



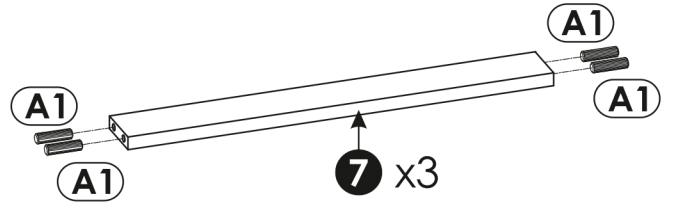
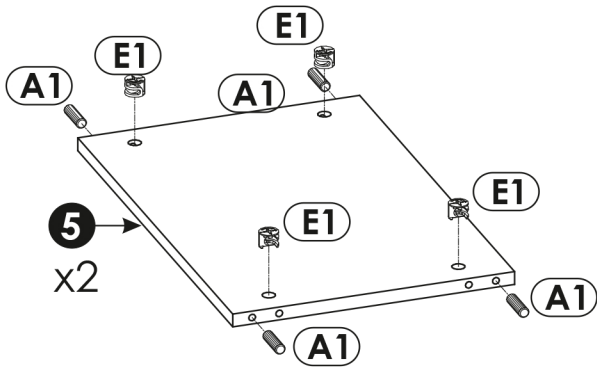
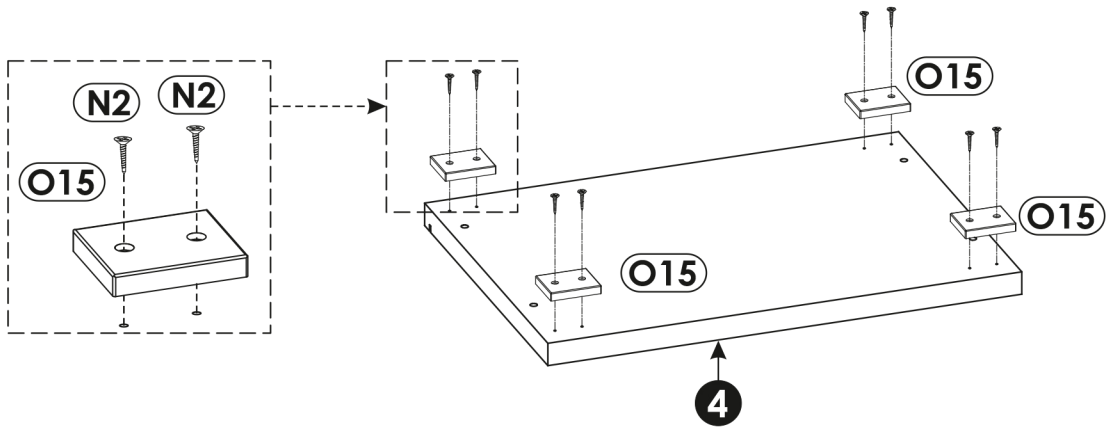
A1 x36 ø8 x 35mm	B0 x4	B3 x4
C1 x8 EURO 4 x 13mm	C2 x12 EURO 5 x 13mm	D2 x12
E0 x16	E1 x16 ø15 x 12mm	F1 x16
G0 x8	G1 x4 ø7 x 50mm	G2 x4 ø7 x 40mm
I2 x1 4 x 16mm	J1 x12 US 3 x 20mm	M x1
N1 x20 US 3 x 16mm	N2 x8 US 3.5 x 16mm	O15 x4
P0 x 8 ø5	Q9 x1	R4 x12
R8 x8	T2 x2	Z x1
	L-300	



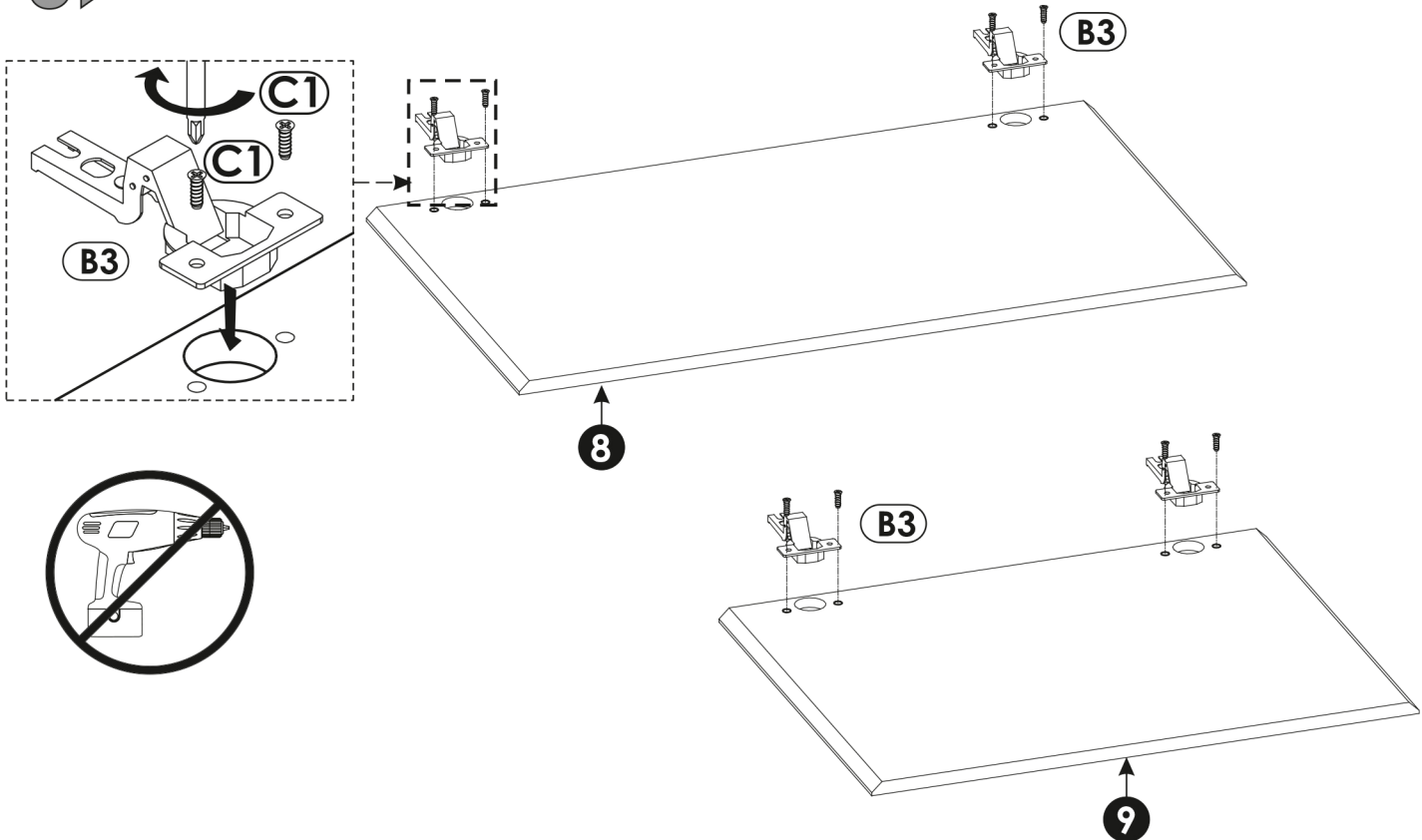
1	1904	399	28 x1	2/2
2	1904	399	28 x1	2/2
3	560	400	28 x1	1/2
4	560	400	28 x1	1/2
5	503	333	16 x2	1/2
6	503	349	16 x3	1/2
7	503	60	16 x2	1/2
8	457	861	16 x1	1/2
9	497	648	16 x1	1/2
10	497	157	16 x2	1/2
11	446	80	16 x2	1/2
12	330	80	16 x2	1/2
13	330	80	16 x2	1/2
14	477	335	3 x2	2/2
15	1917	516	3 x1	2/2



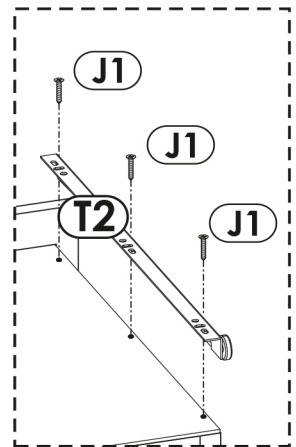
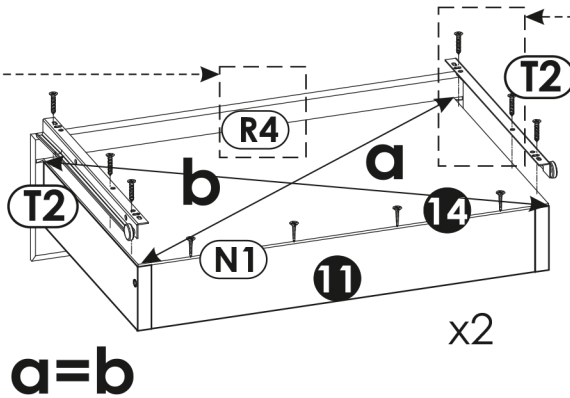
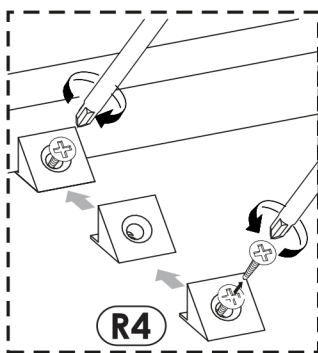
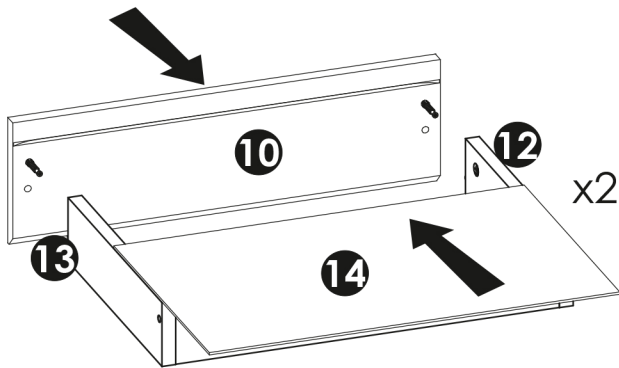
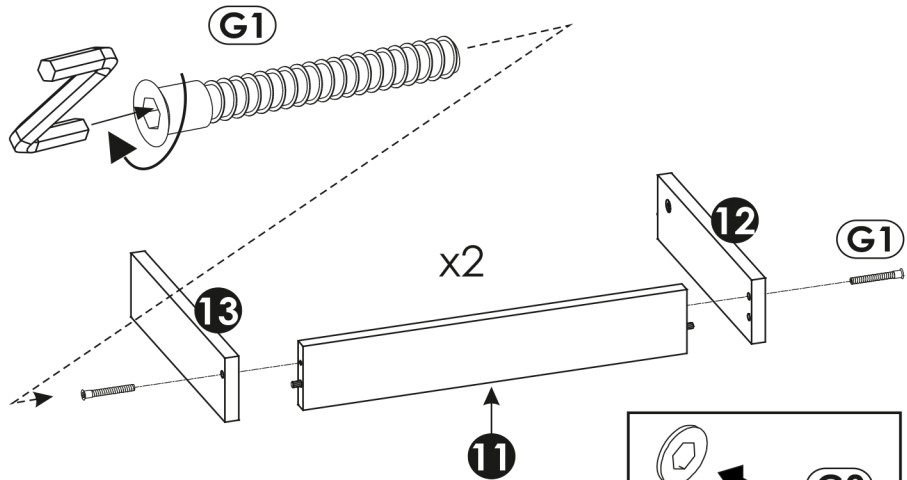
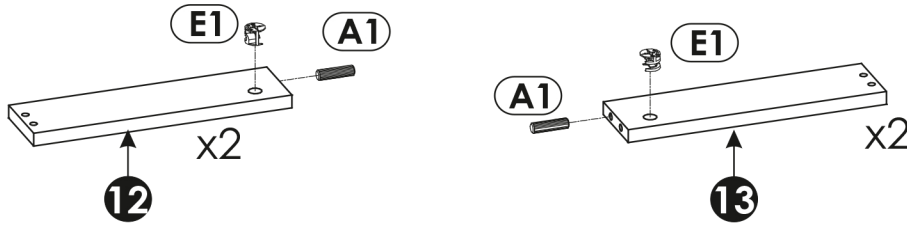
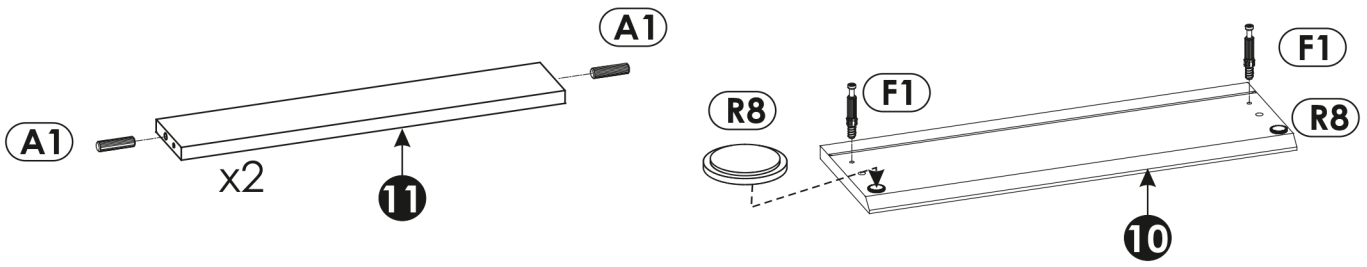
2 ▶



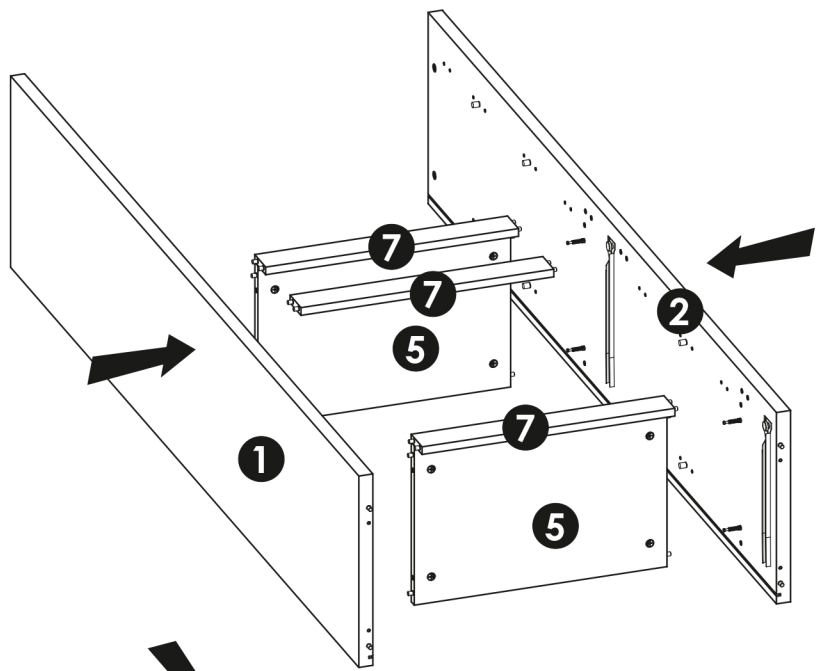
3 ▶



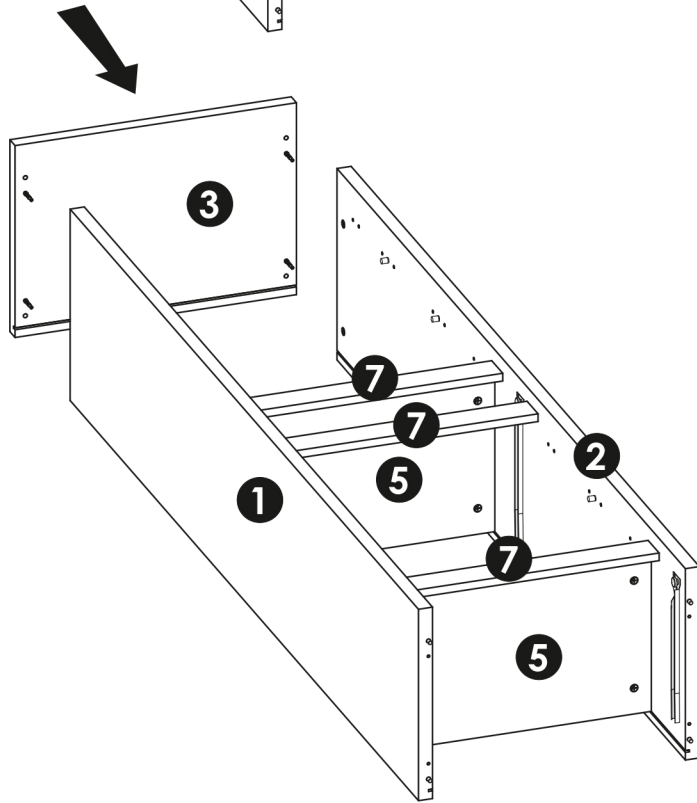
4 ▶



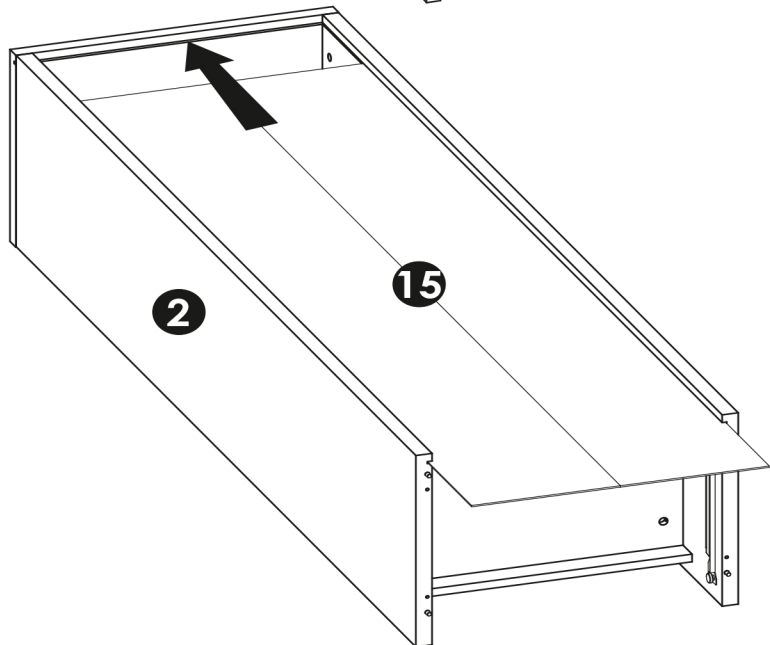
5 ▶



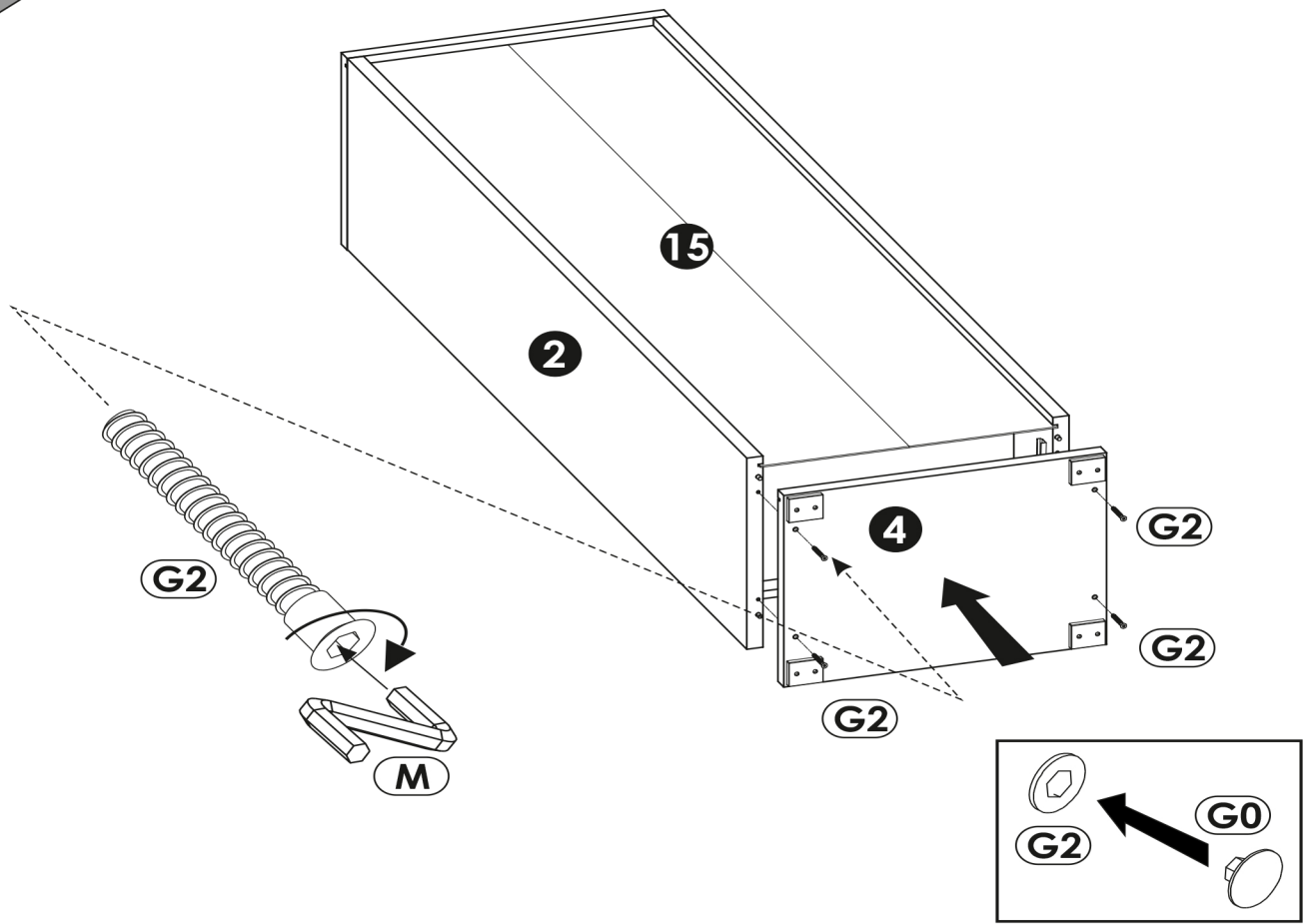
6 ▶



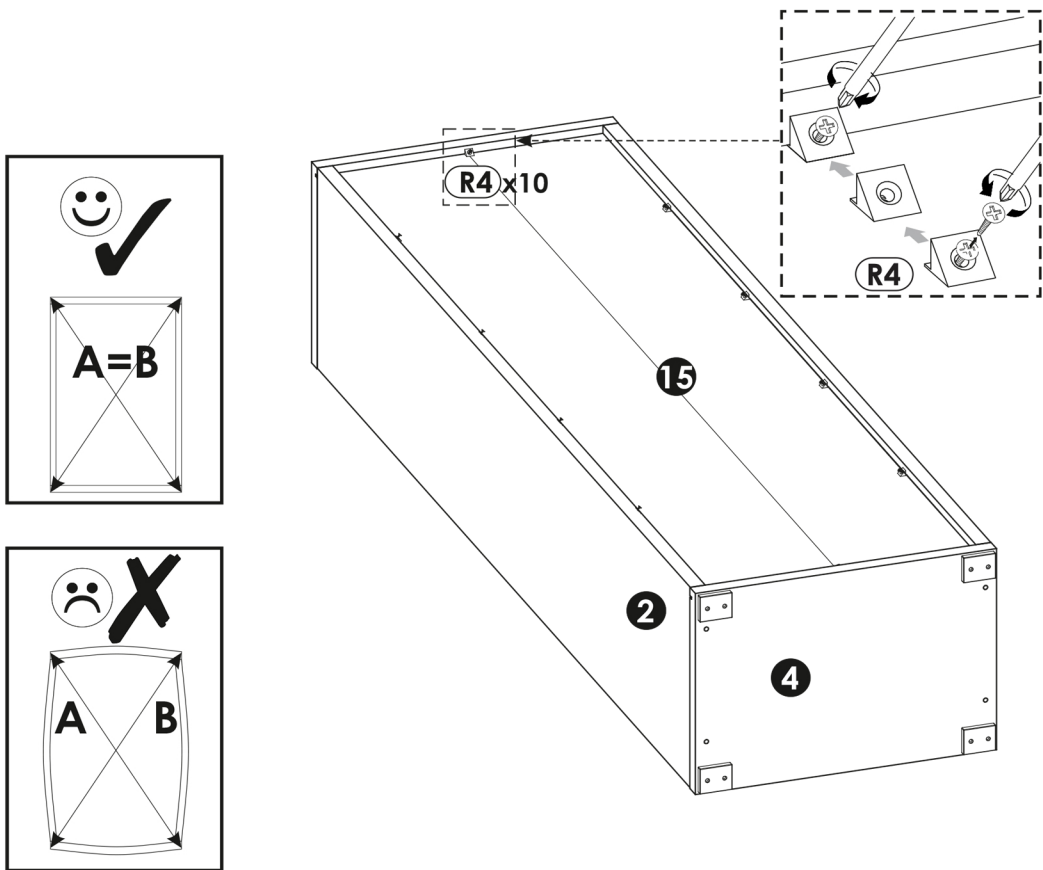
7 ▶



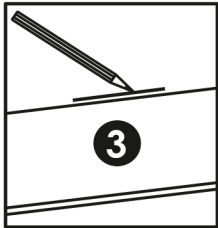
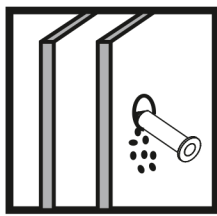
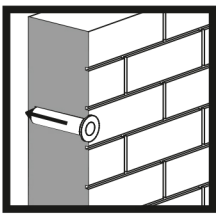
8 ▶



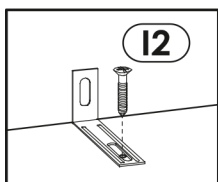
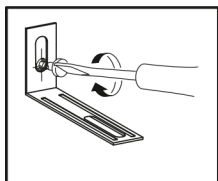
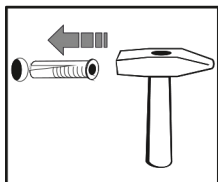
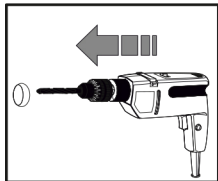
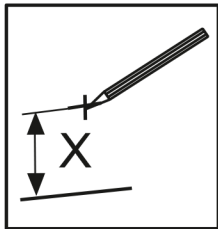
9 ▶



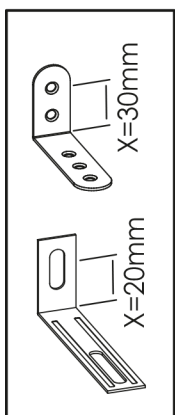
10 ▶



3

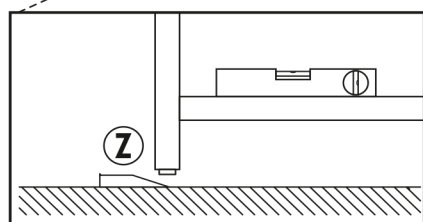
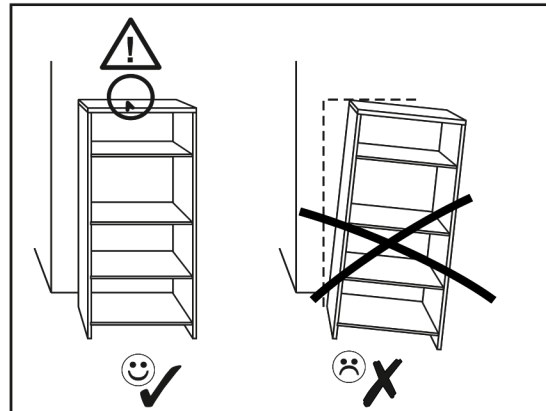
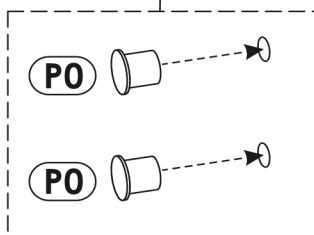
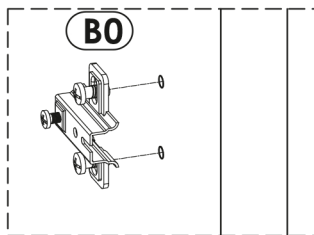
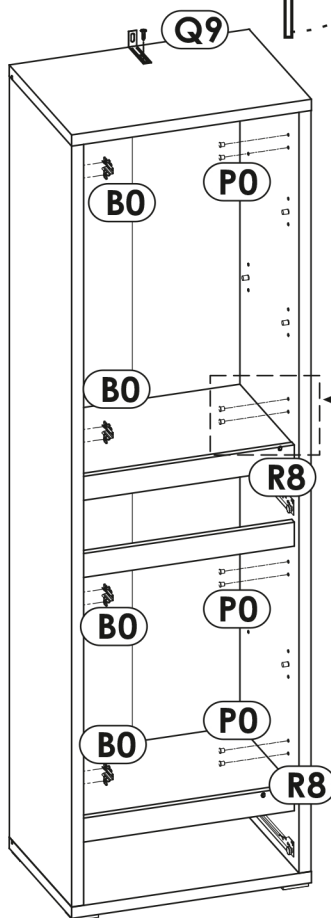


12

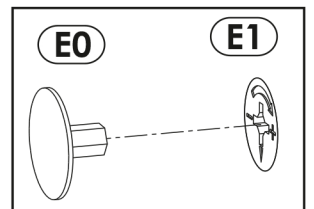
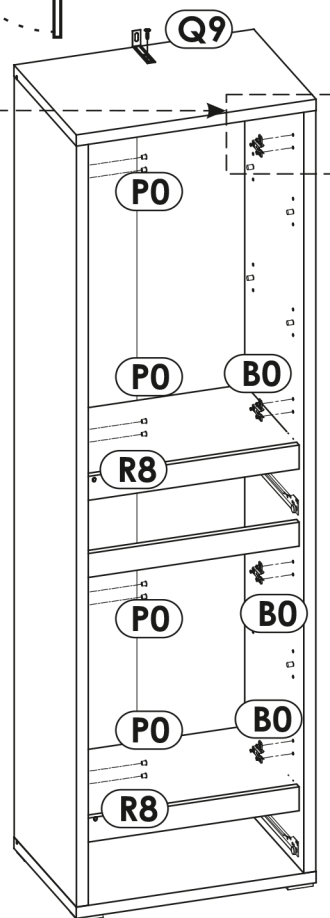


X=30mm

X=20mm



Z



E0

E1

