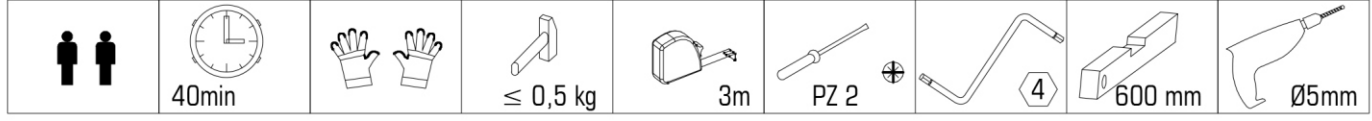


# JULIA TYP 61

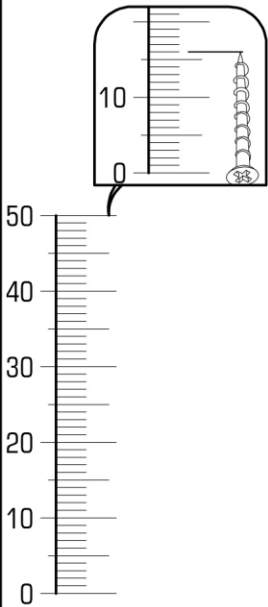
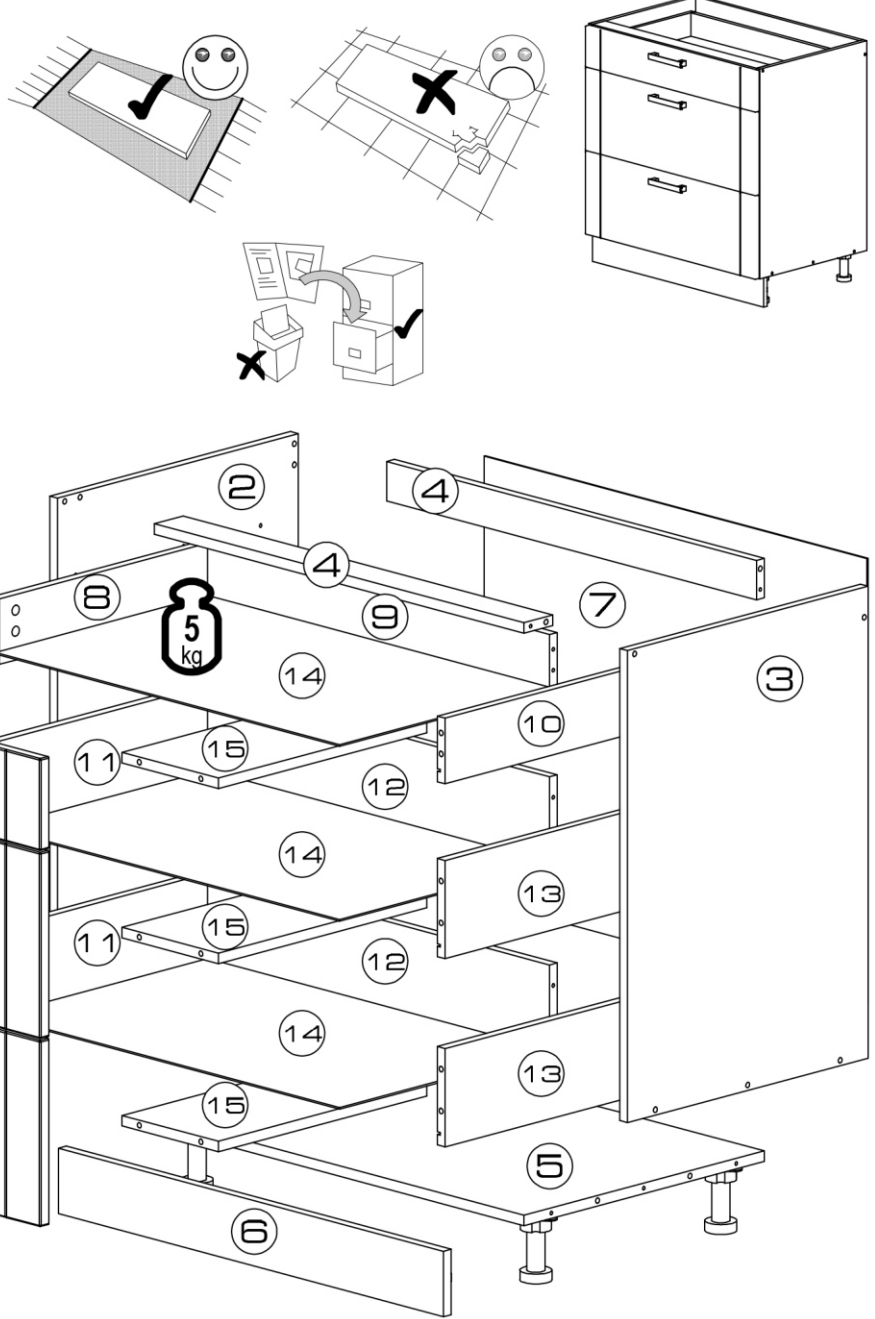
Art.-Nr. 272 547  
272 534

800  
820  
520  
mm

1/6  
ZO

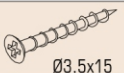





| ID    | ID |            |    |     |
|-------|----|------------|----|-----|
| 17445 | ②  | 720*500*16 | 1x | 1/1 |
| 17446 | ③  | 720*500*16 | 1x | 1/1 |
| 00386 | ④  | 768*60*16  | 2x | 1/1 |
| 17431 | ⑤  | 768*499*16 | 1x | 1/1 |
| 00389 | ⑥  | 800*100*16 | 1x | 1/1 |
| 17469 | ⑦  | 680*795*3  | 1x | 1/1 |
| 02704 | ⑧  | 450*100*16 | 1x | 1/1 |
| 17470 | ⑨  | 710*100*16 | 1x | 1/1 |
| 02705 | ⑩  | 450*100*16 | 1x | 1/1 |
| 00375 | ⑪  | 450*150*16 | 2x | 1/1 |
| 03179 | ⑫  | 710*150*16 | 2x | 1/1 |
| 00377 | ⑬  | 450*150*16 | 2x | 1/1 |
| 03182 | ⑭  | 446*720*3  | 3x | 1/1 |
| 00378 | ⑮  | 433*200*16 | 3x | 1/1 |
| 17471 | ⑯  | 140*796*18 | 1x | 1/1 |
| 17472 | ⑰  | 284*796*18 | 2x | 1/1 |



|          |     |          |     |          |     |          |     |          |     |          |     |          |     |          |    |          |     |
|----------|-----|----------|-----|----------|-----|----------|-----|----------|-----|----------|-----|----------|-----|----------|----|----------|-----|
| 35003.01 |     | 21102.00 |     | 22232.00 |     | 22243.00 |     | 22244.01 |     | 22300.00 |     | 22800.01 |     | 27000.00 |    | 22705.00 |     |
| A        | 10x | B        | 25x | C        | 16x | D        | 32x | E        | 12x | F        | 22x | G        | 1x  | H        | 8x | J        | 18x |
| 70013.01 |     | 70021.01 |     | 50552.00 |     | 60035.00 |     | 60025.05 |     | 32020.00 |     | 34902.00 |     | 33004.00 |    | 33004.00 |     |
| K        | 24x | L        | 24x | M        | 4x  | N        | 2x  | P        | 4x  | Q        | 3x  | R        | 12x | S        | 3x | T        | 3x  |




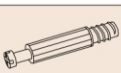
|  |   |   |   |
|--|---|---|---|
|  |  |  |  |
| D 6x   | H 8x  | J 18x   | S 3x  |

**Assembly Step 1:** Attach brackets S to the back of the panel (2) using screws D and washers J. The distance between brackets is 450mm.

**Assembly Step 2:** Attach tubes H to the brackets S using washers J and screws D. The distance between tubes is 8x.

**Assembly Step 3:** Attach the panel (5) to the tubes H using screws H. The distance between screws is 8x. A maximum of 10 screws (MAX 10) should be used per tube.

**Assembly Step 4:** Attach the bottom rail (4) to the panel (5) using screws H. Quantity: **2x**.

|  |   |
|--|---|
|  |  |
| K 24x  | L 24x   |

**Assembly Step 5:** Attach the top rail (9) to the panel (5) using screws L and washers K. The distance between screws is 24x.

**Assembly Step 6:** Attach the side rail (16) to the panel (5) using screws L and washers K. The distance between screws is 24x.

**Assembly Step 7:** Attach the side rail (12) to the panel (5) using screws L and washers K. Quantity: **2x**.

**Assembly Step 8:** Attach the side rail (17) to the panel (5) using screws L and washers K. Quantity: **2x**.

**Assembly Step 9:** Attach the side rail (15) to the panel (5) using screws K and washers K. Quantity: **3x**.

**Assembly Step 10:** Attach the side rail (8) to the panel (5) using screws K and washers K.

**Assembly Step 11:** Attach the side rail (10) to the panel (5) using screws K and washers K.

**Assembly Step 12:** Attach the side rail (11) to the panel (5) using screws K and washers K. Quantity: **2x**.

**Assembly Step 13:** Attach the side rail (13) to the panel (5) using screws K and washers K. Quantity: **2x**.

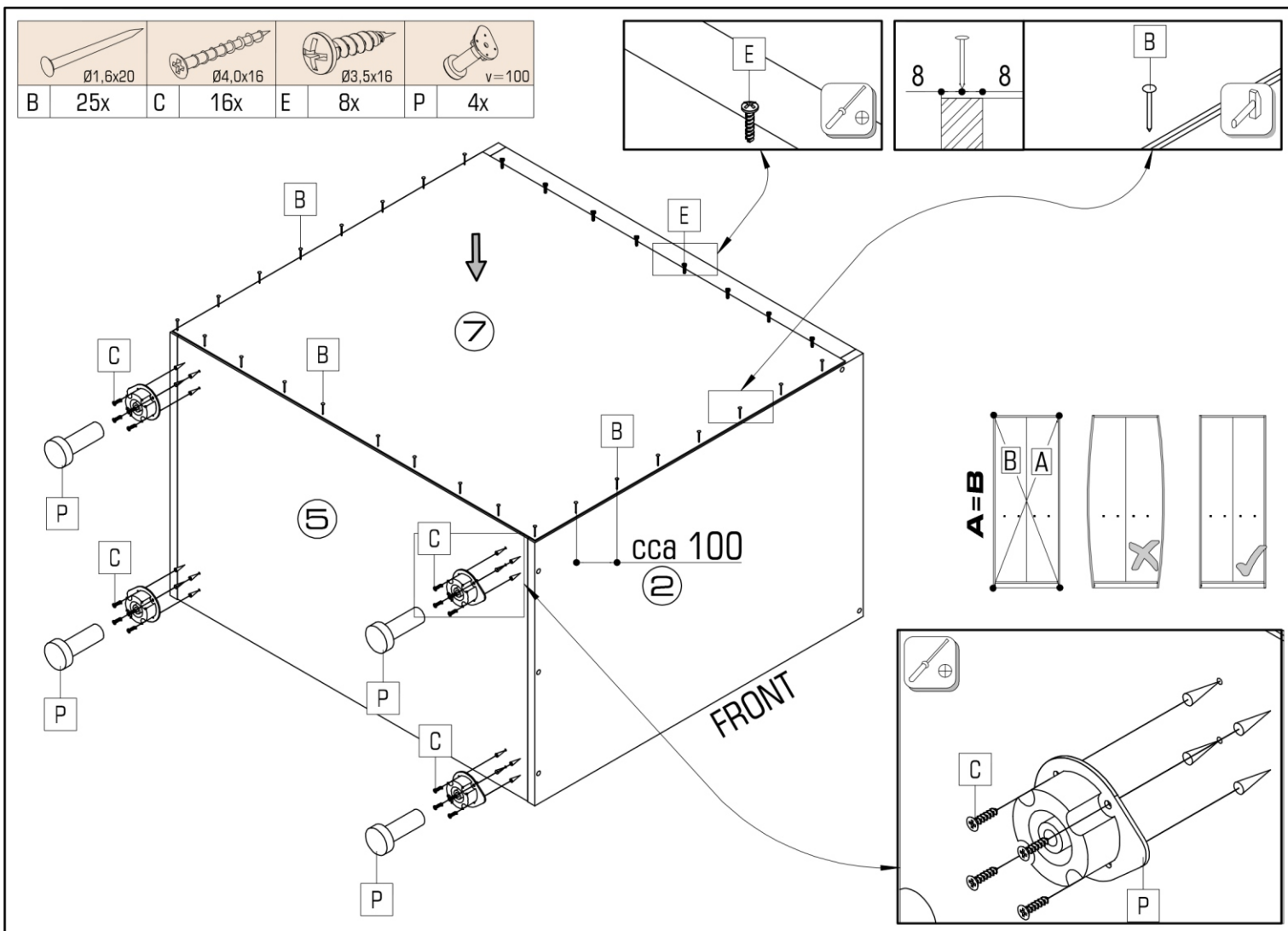
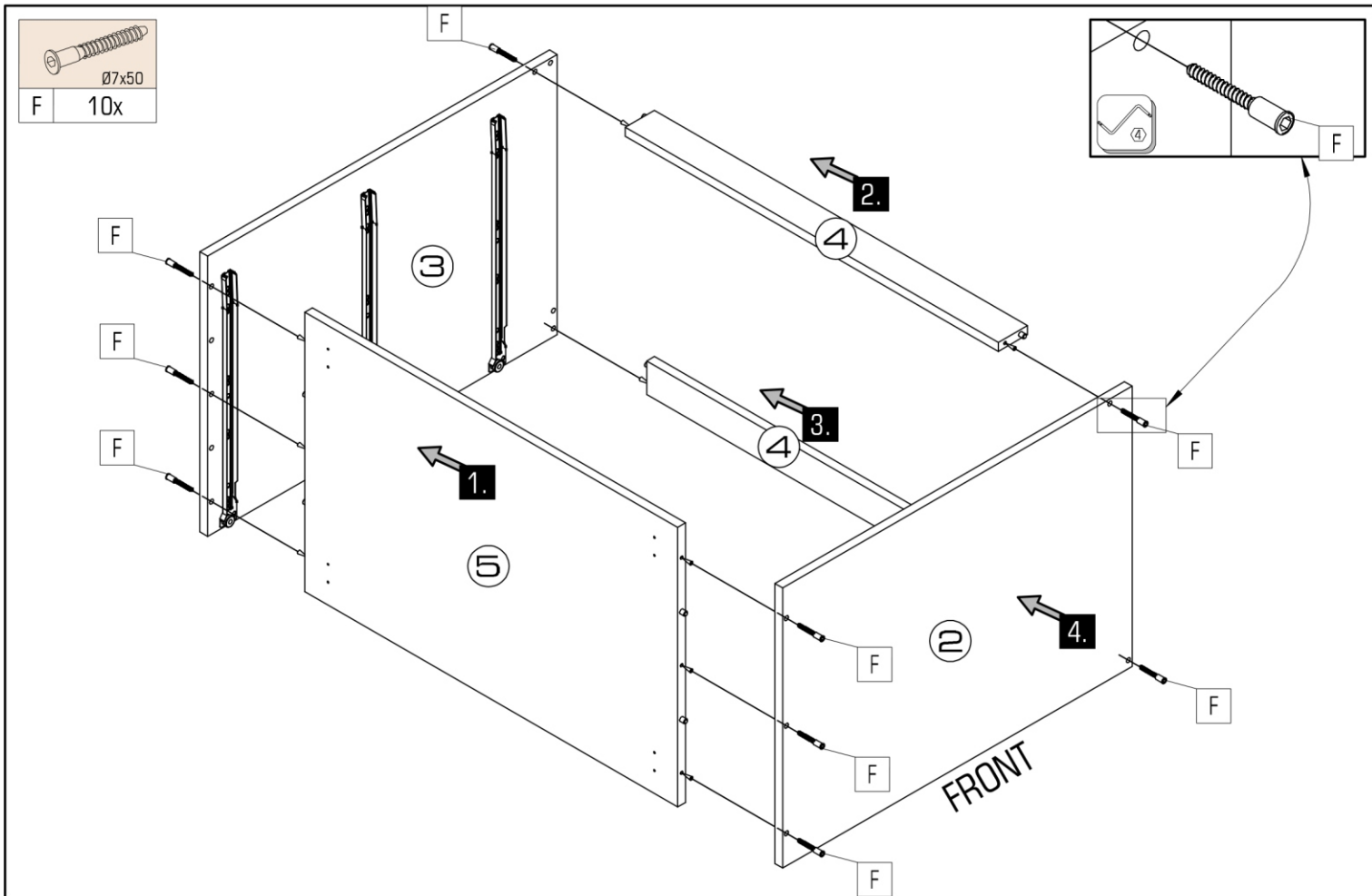
**Assembly Step 14:** Attach the side rail (14) to the panel (5) using screws K and washers K. Quantity: **2x**.

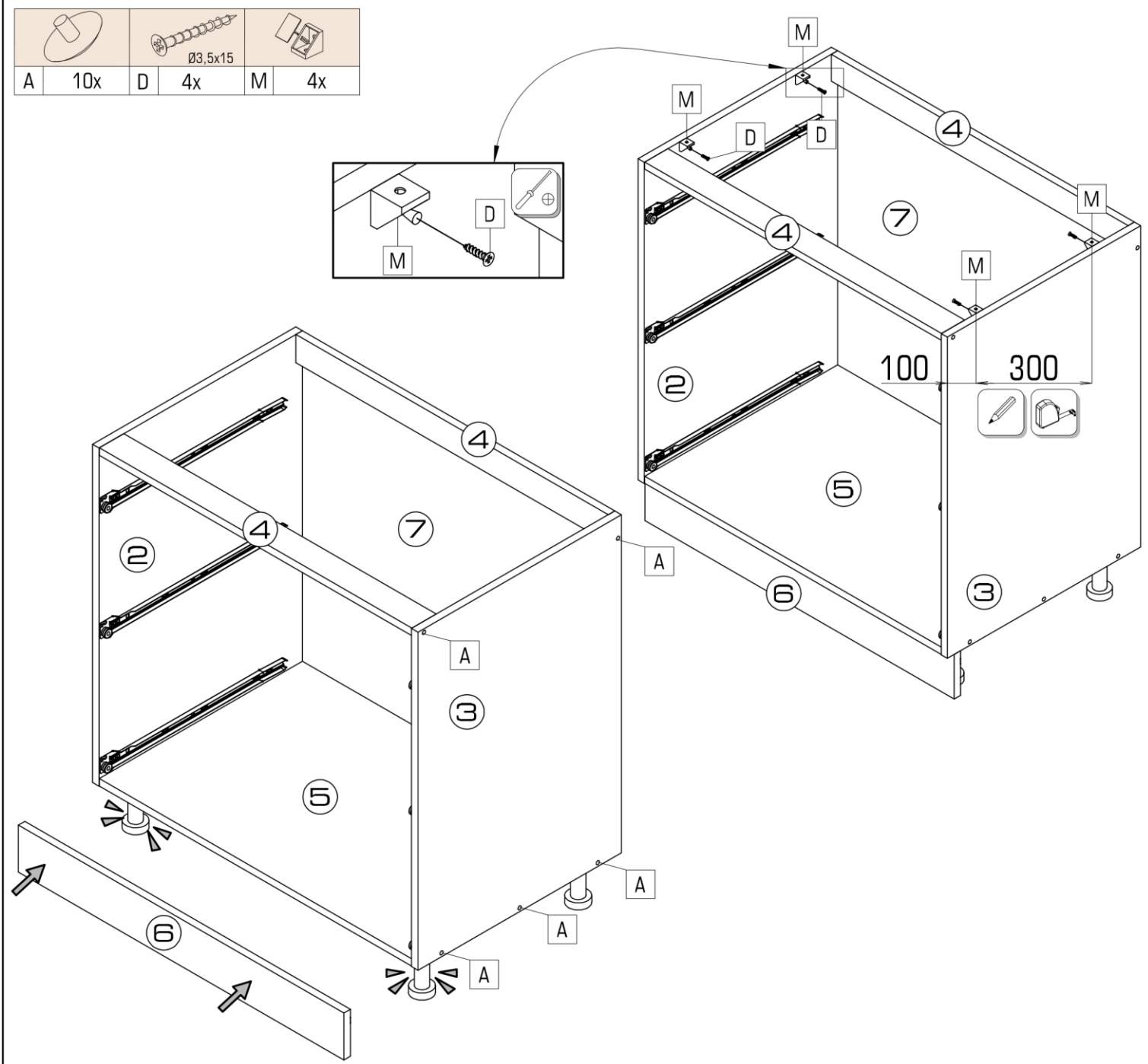
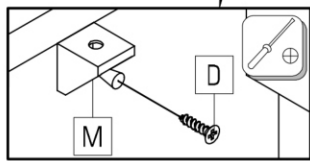
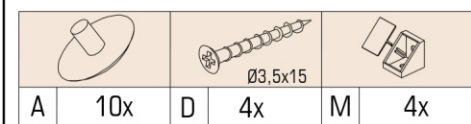
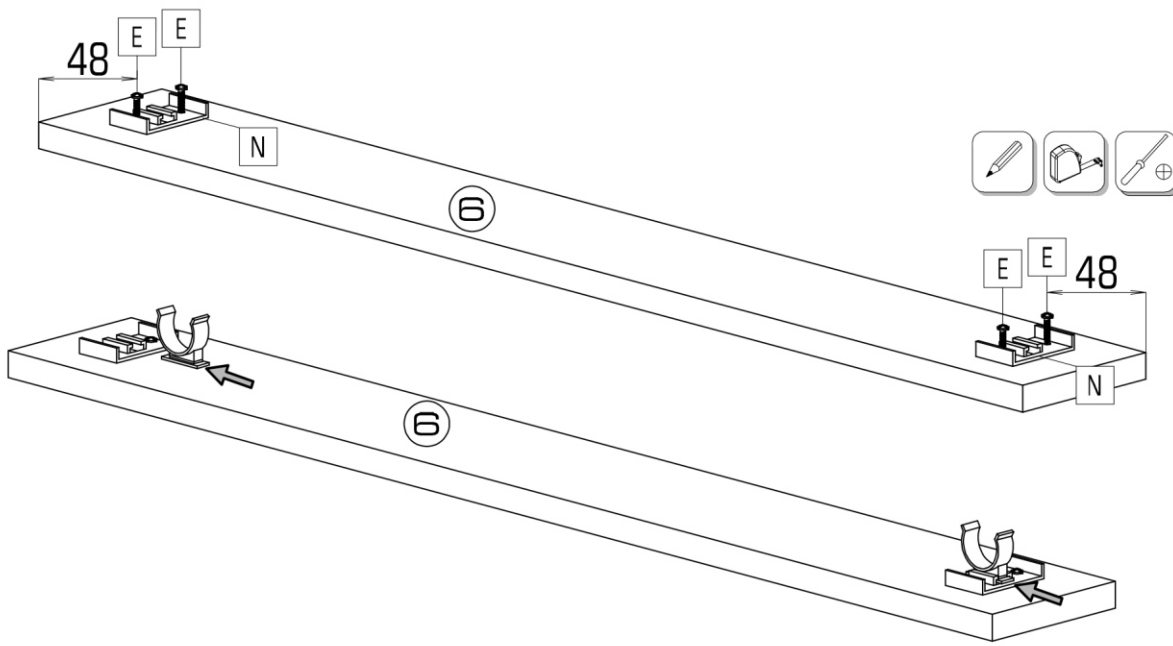
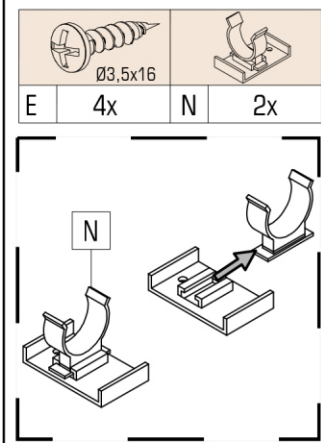
**Assembly Step 15:** Attach the side rail (15) to the panel (5) using screws K and washers K. Quantity: **3x**.

**Assembly Step 16:** Attach the side rail (16) to the panel (5) using screws K and washers K. Quantity: **2x**.

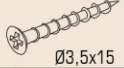



**Assembly Step 17:** Attach the side rail (17) to the panel (5) using screws K and washers K. Quantity: **2x**.

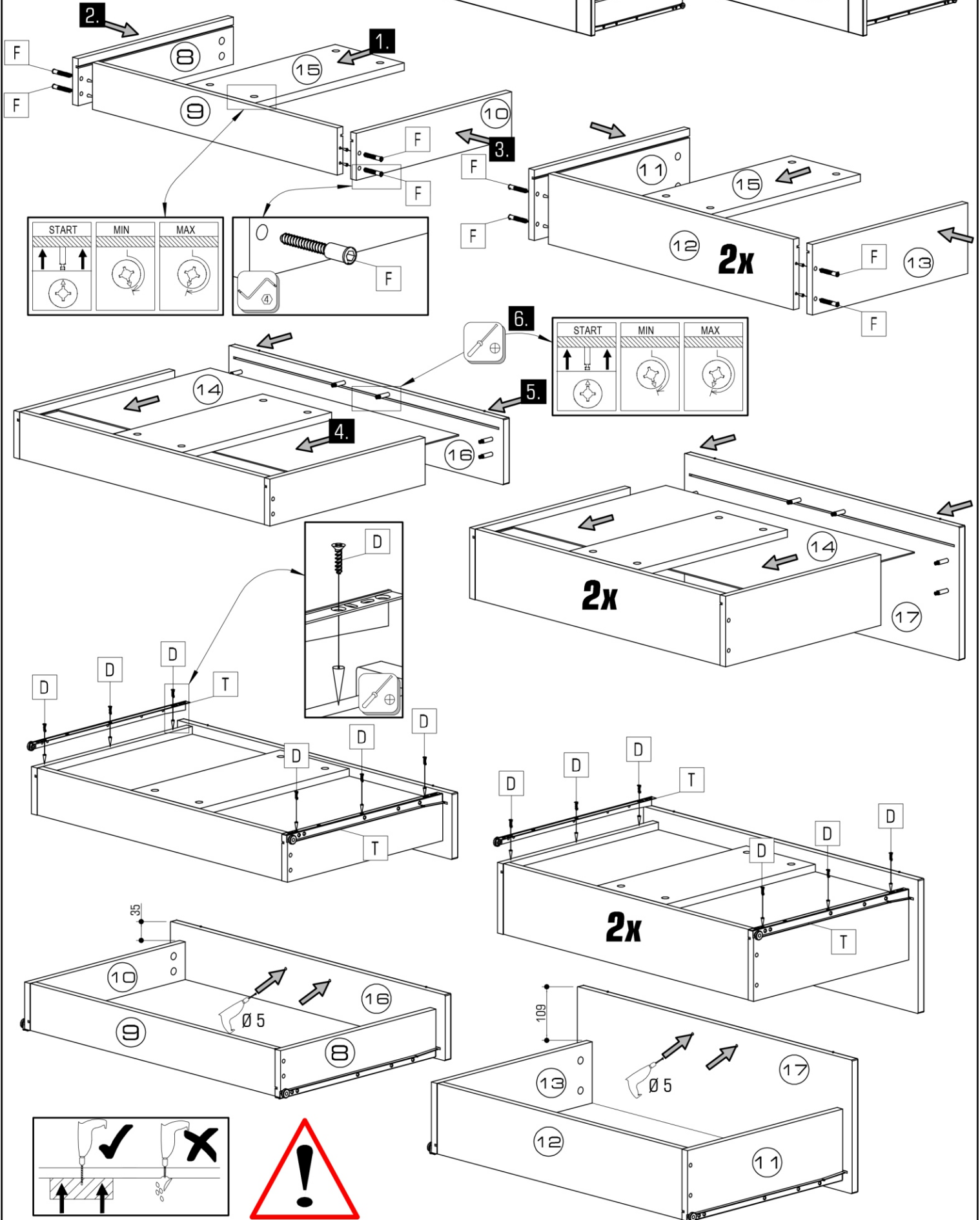
**Assembly Step 18:** Attach the side rail (18) to the panel (5) using screws K and washers K. Quantity: **2x**.

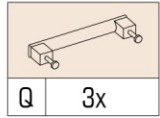




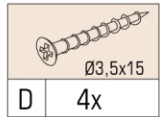
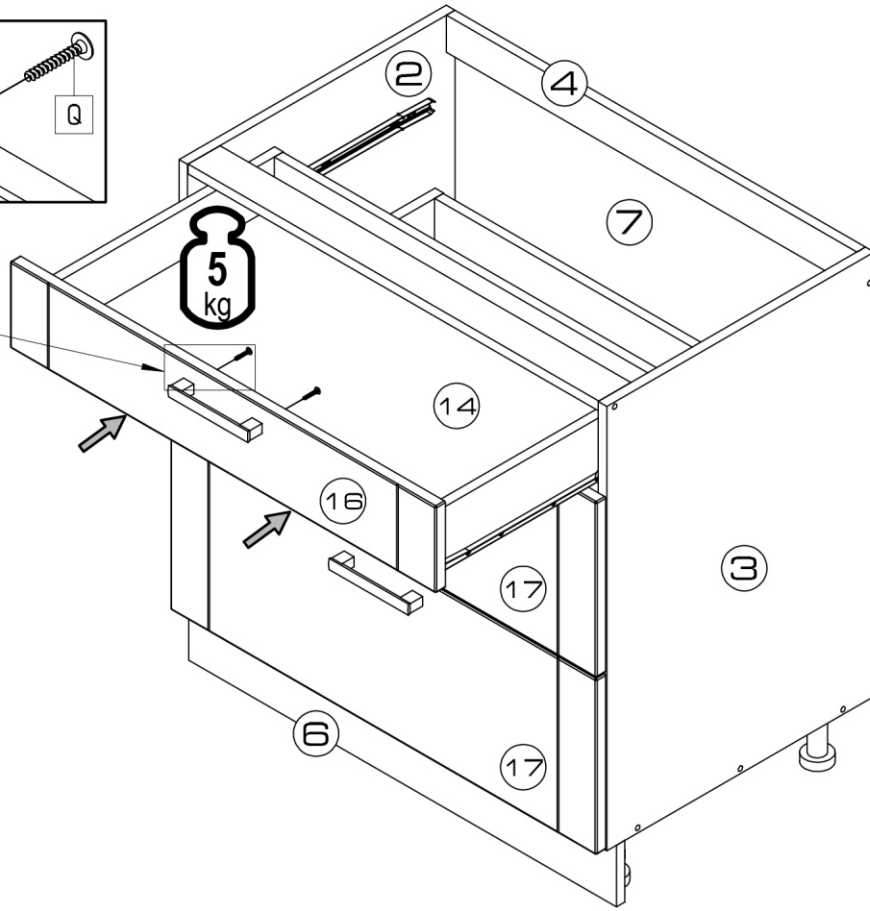
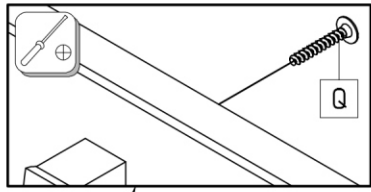


|  |   |   |   |
|--|---|---|---|
|  |  |  |  |
| Ø3.5x15  | Ø7x50   |   | L=450mm   |
| D 18x  | F 12x   | R 12x   | T 3x  |





Q 3x



Ø3,5x15

D 4x

