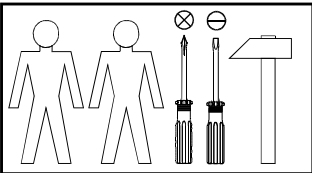
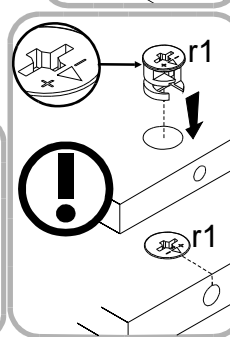
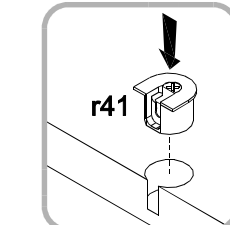
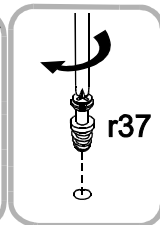
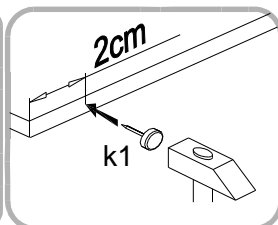
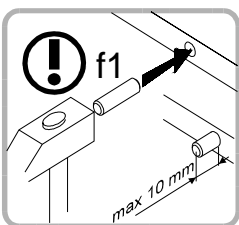
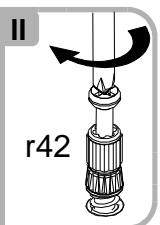
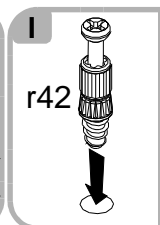
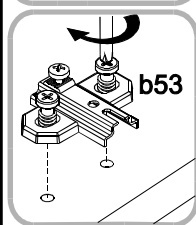
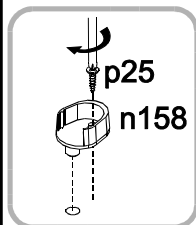
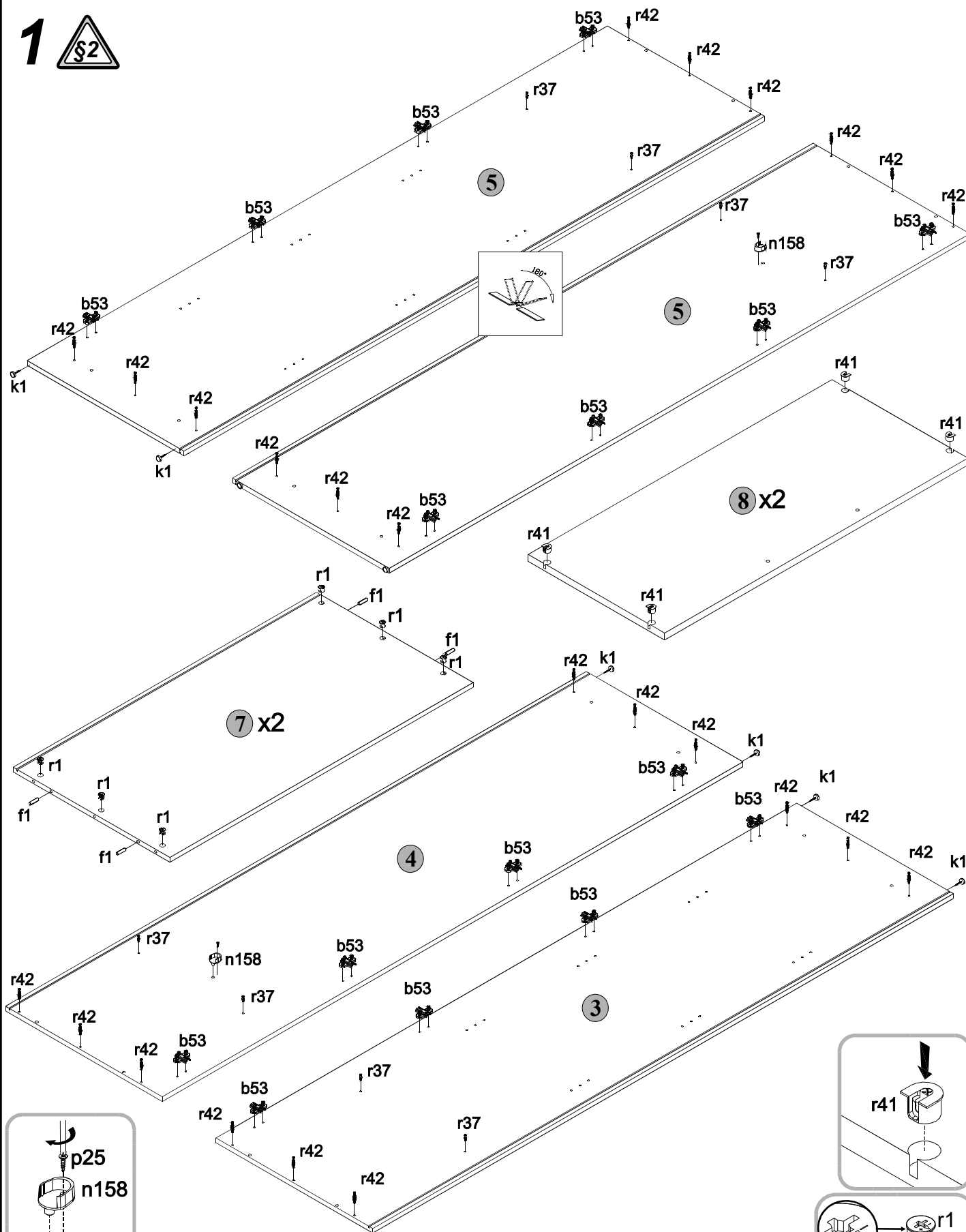


A	B	C	D
1	L21-007	2050x642	4/5
2	L21-006A	2050x482	5/5
3	L21-107A	2132x576	1/5
4	L21-108	2132x576	1/5
5	L21-109A	2132x576	1/5
6	L21-305	1114x575	2/5
7	L21-306	1114x575	2/5
8	L21-307A	1114x500	3/5
9	L21-308	1114x500	3/5
10	L21-402	1114x80	2/5
11	L21-904A	2029x1123	1/5

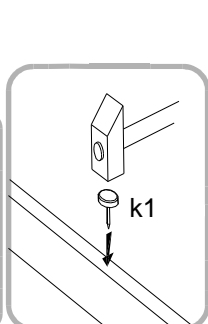
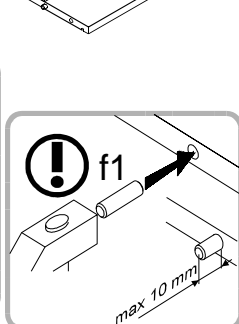
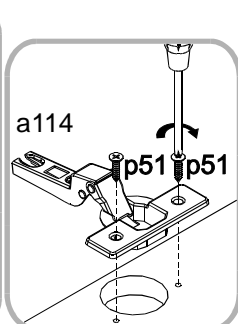
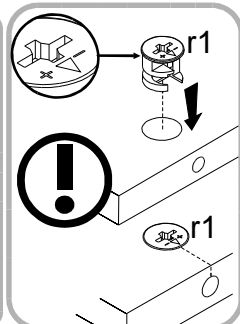
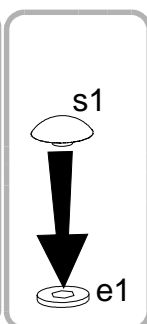
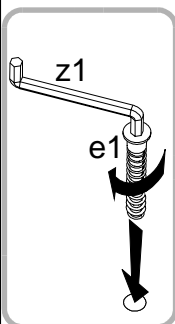
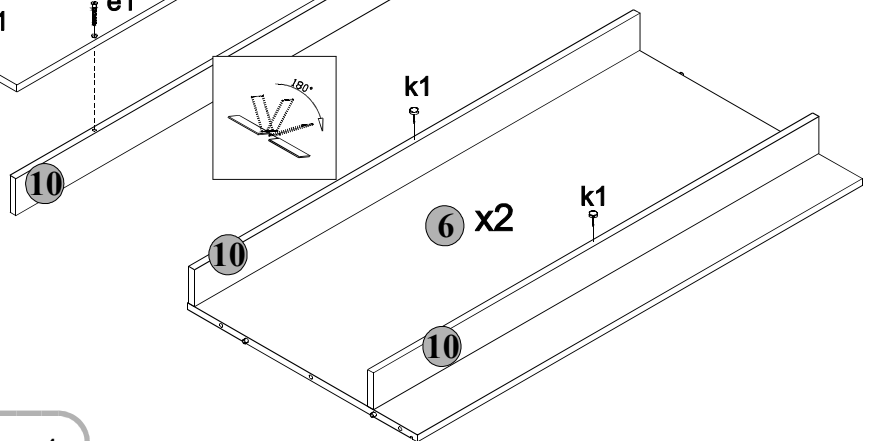
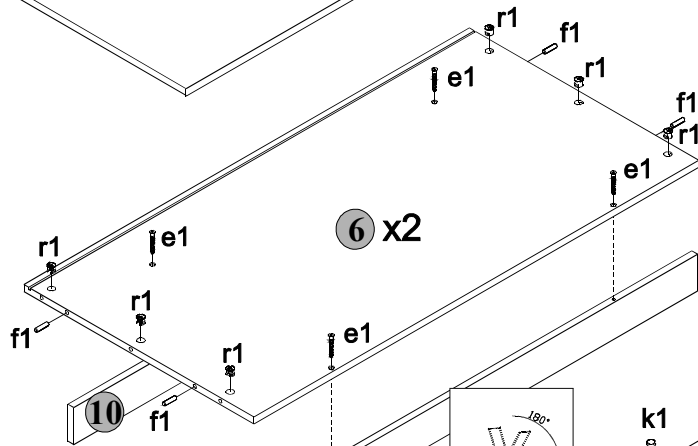
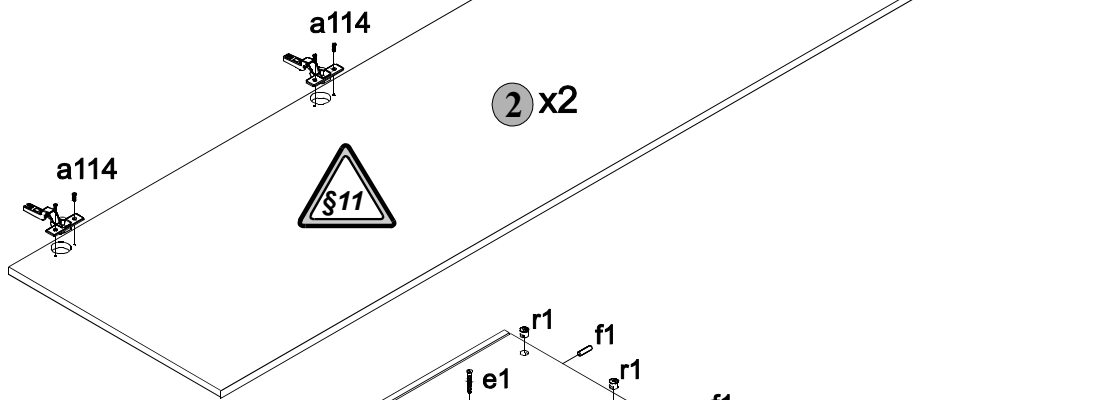
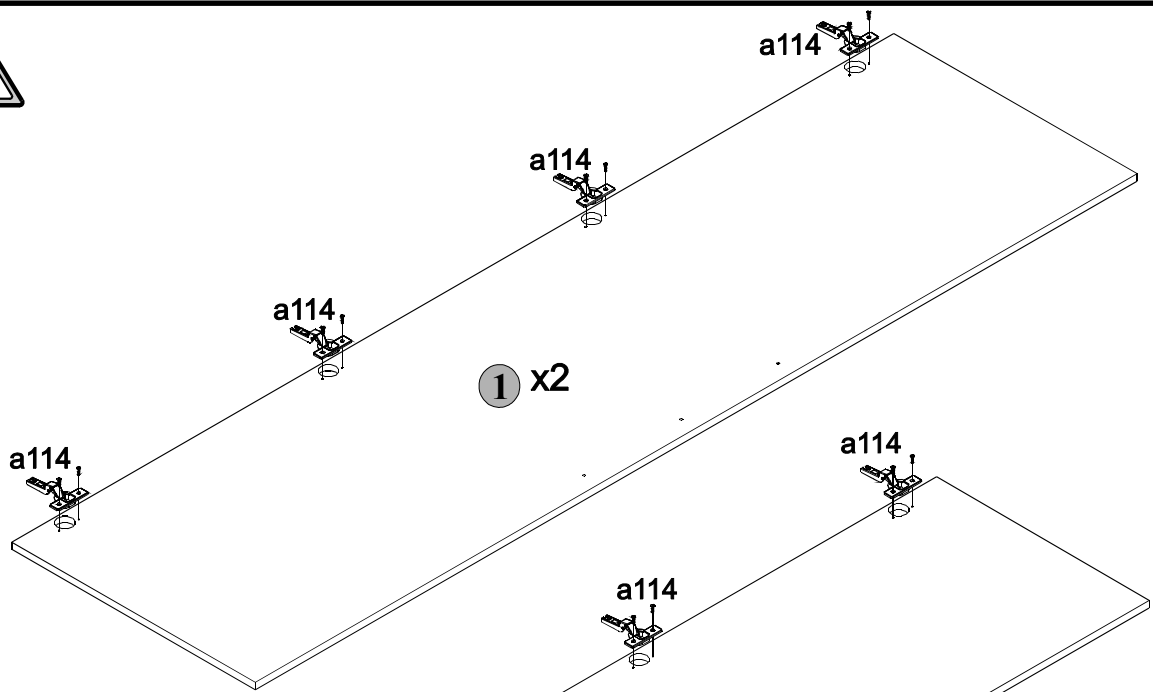


16x K9.5 a114	16x b53	2x c369	12x φ5x17 mm d1	8x φ7x50 mm e1	16x φ8x30 mm f1	28x l2	10x k1	2x n158
2x φ3.5x16 mm p25	32x φ3.5x15 mm p51	6x φ4x25 mm p8	24x φ15x12mm #16 r1	24x r42	8x φ20x13.5mm #19 r41	8x 6,7/7.8 r37	8x s1	24x φ16 s2
				4x φ6.3x13 mm e50	4x d20	1x 15x30x1108 mm dr1108		1x z1

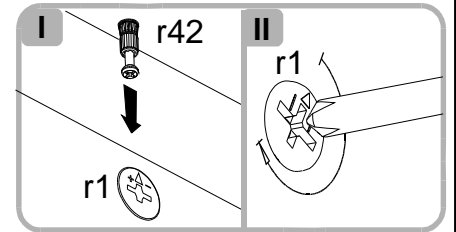
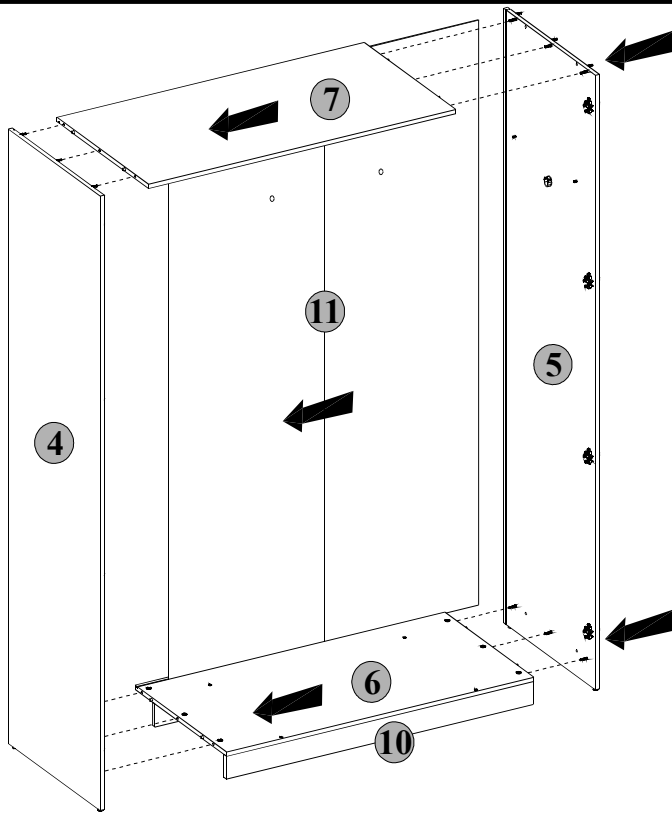
1 



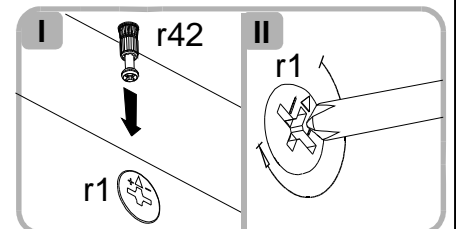
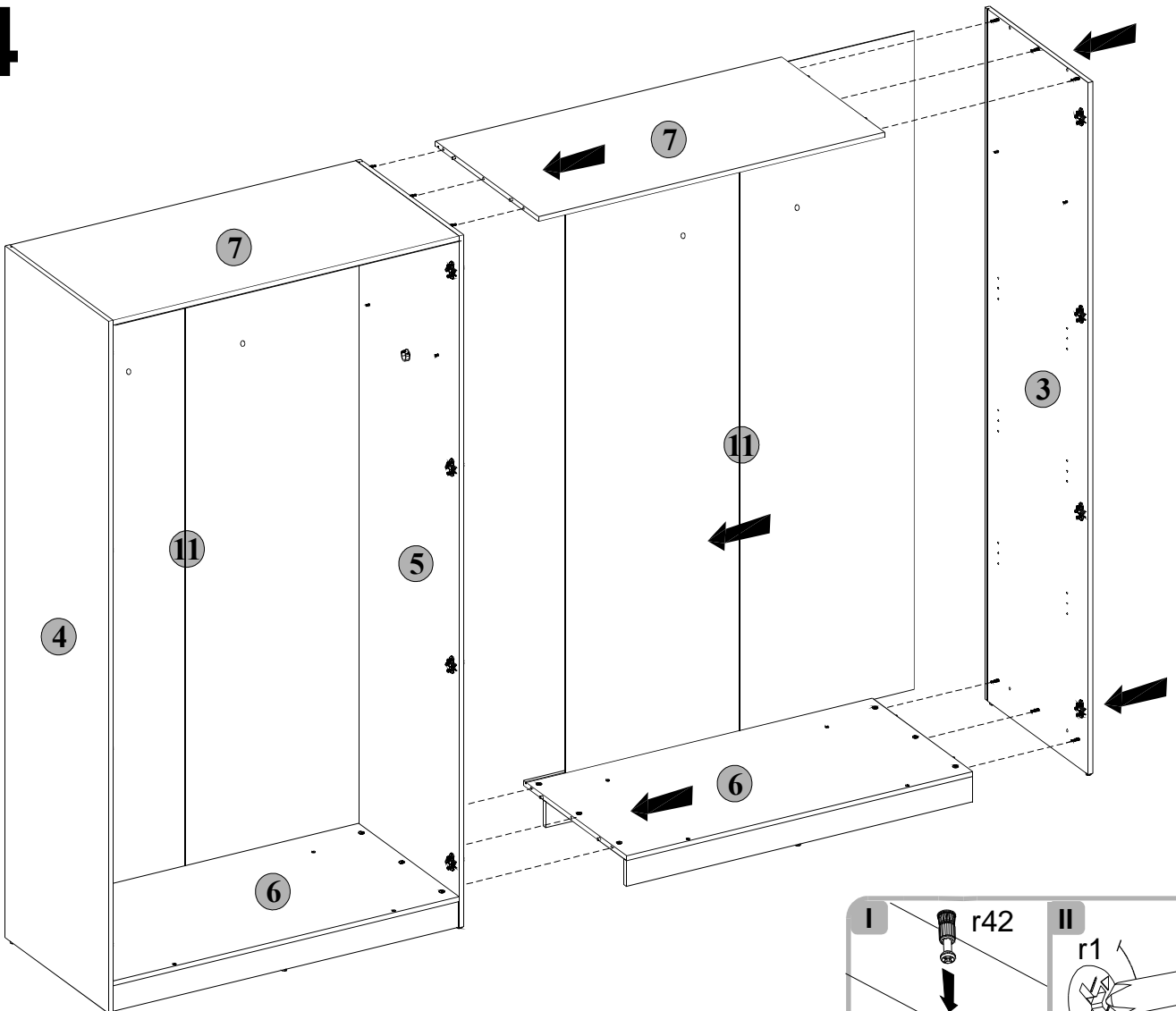
2 



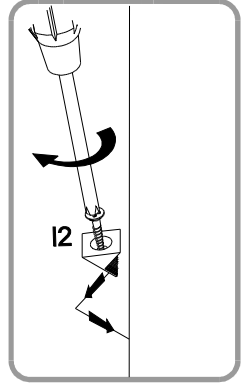
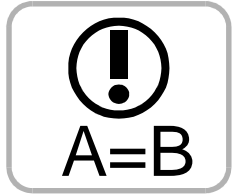
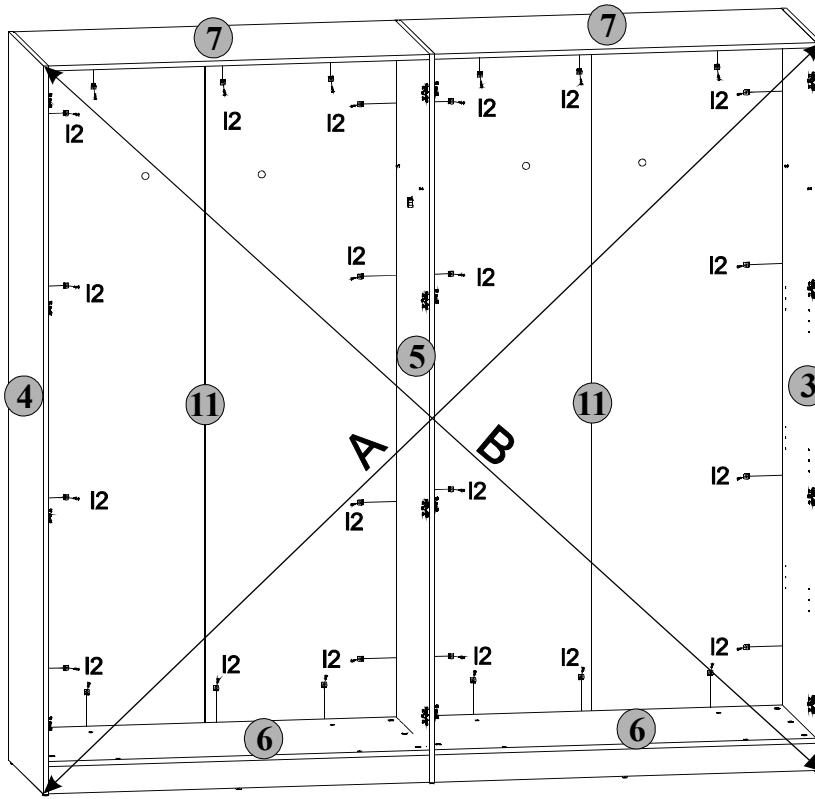
3



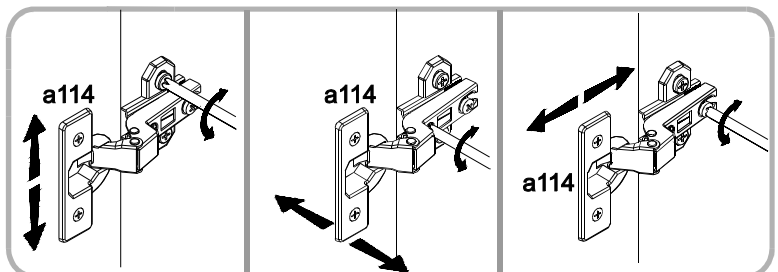
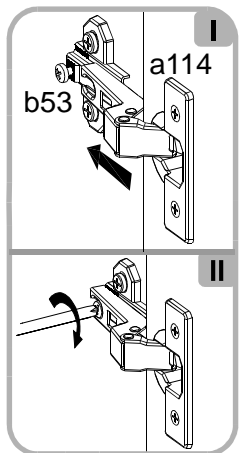
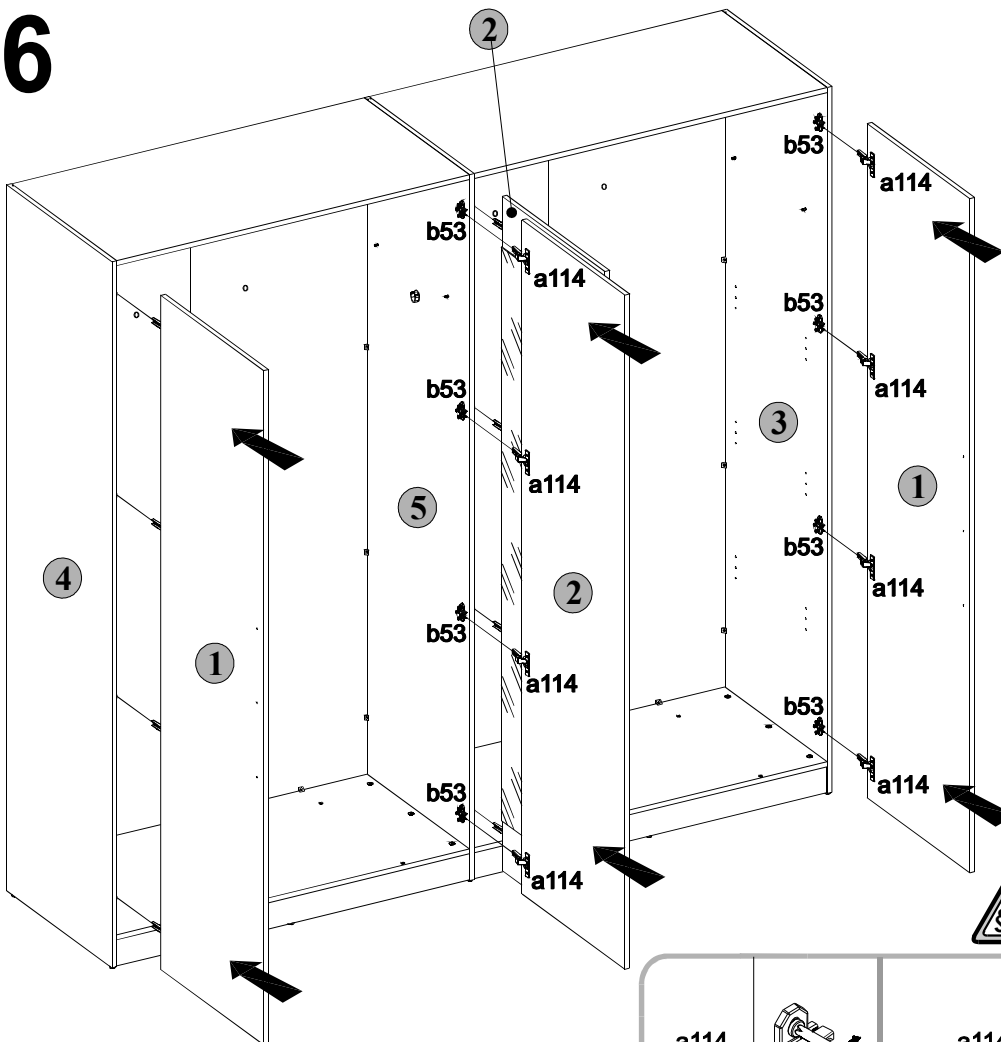
4



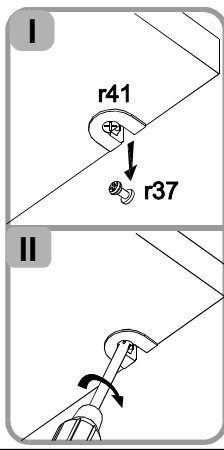
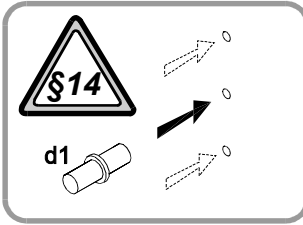
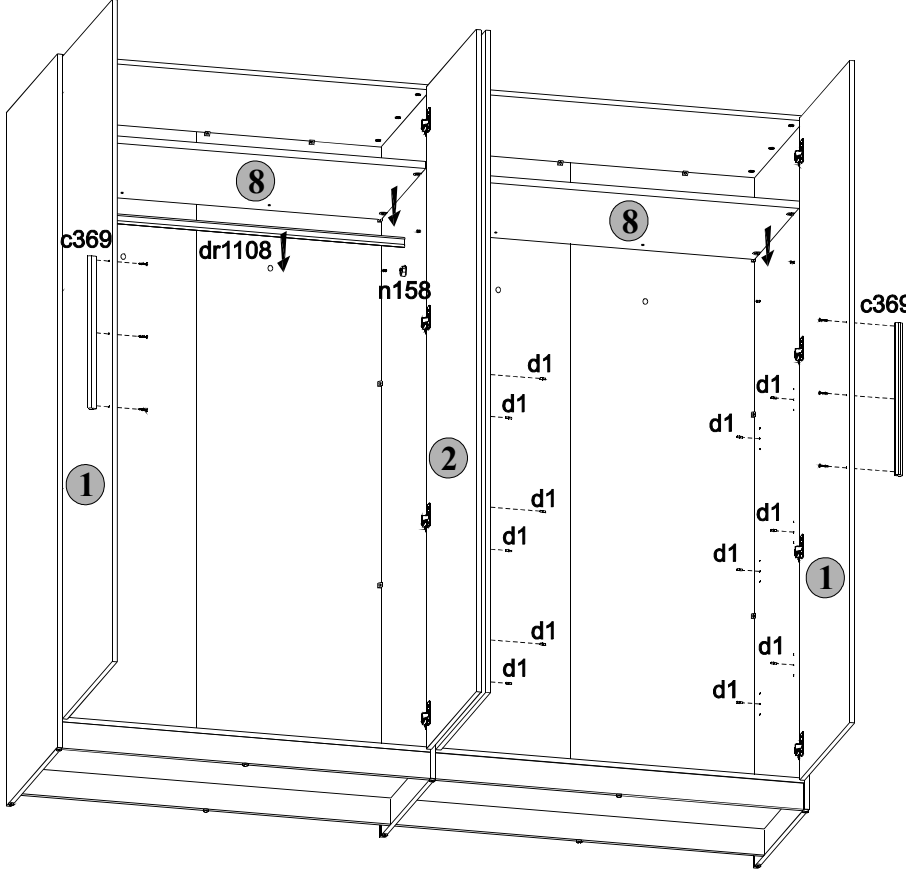
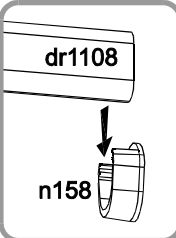
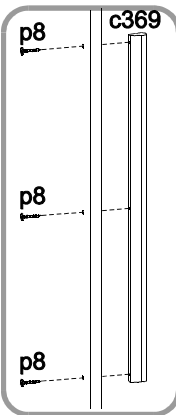
5



6



7



8

