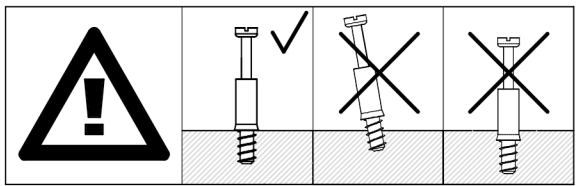
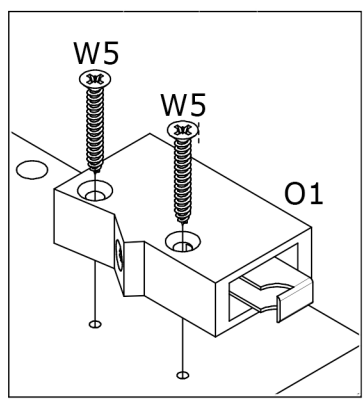
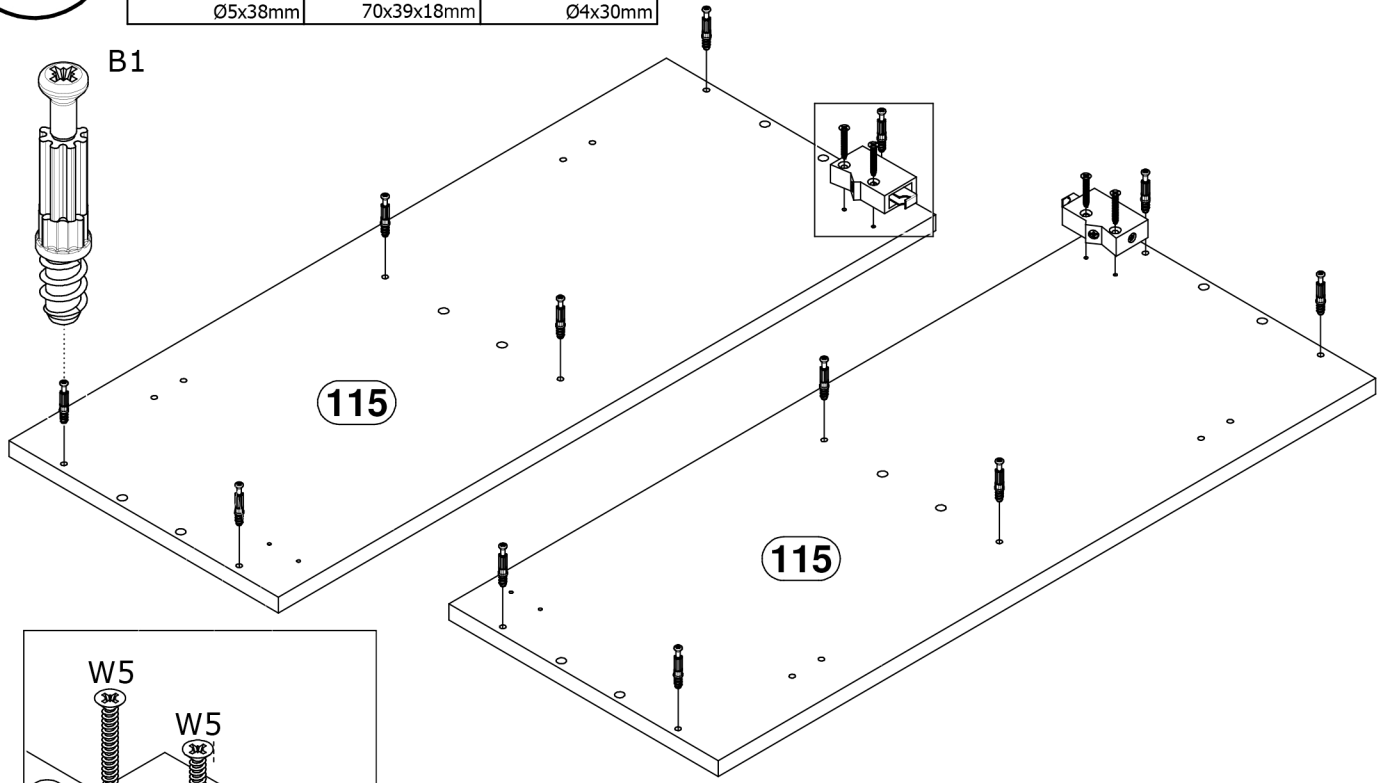
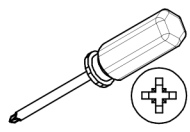


1

B1 x12
Ø5x38mm

O1 x2
70x39x18mm

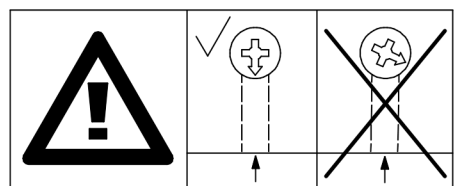
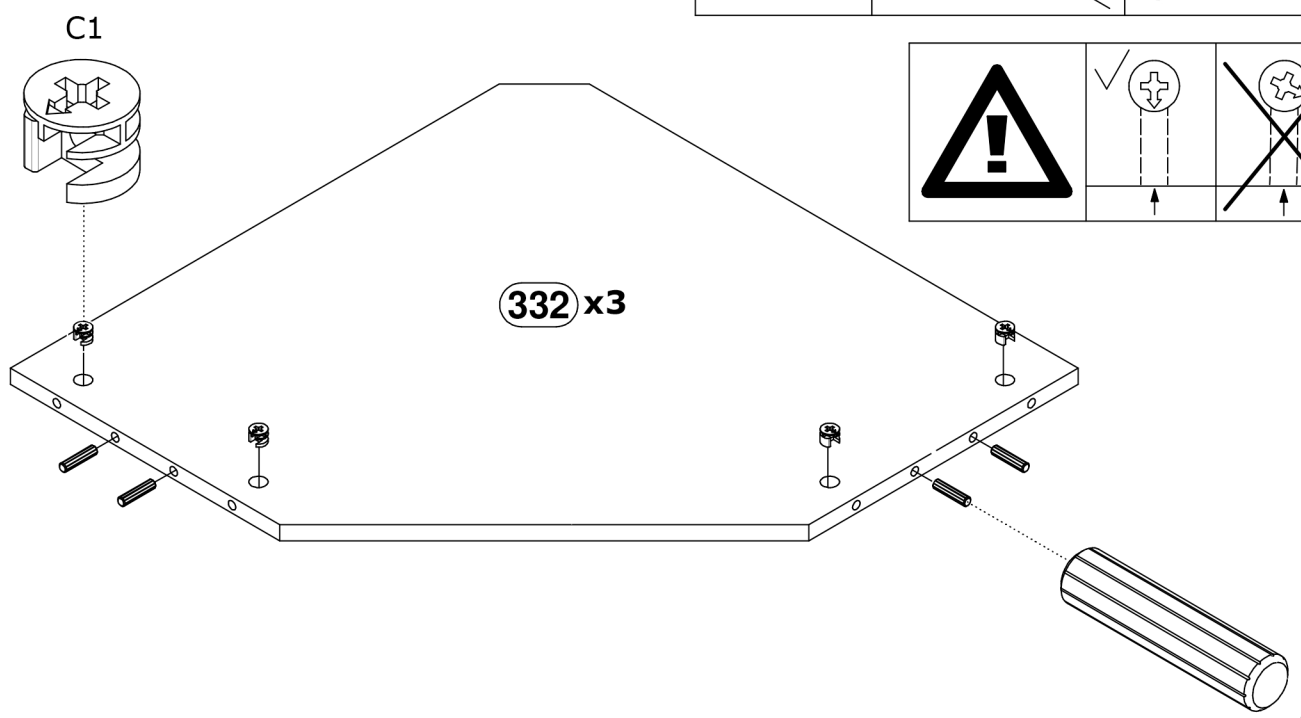
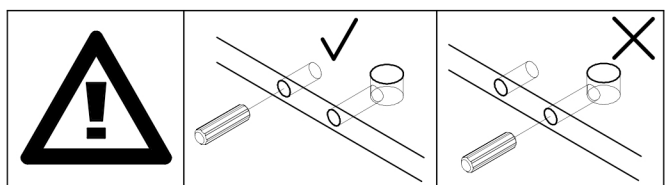
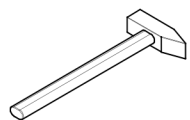
W5 x4
Ø4x30mm



2

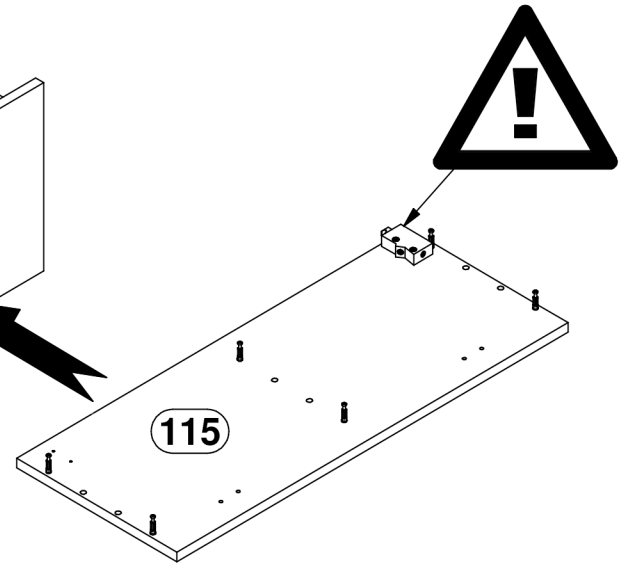
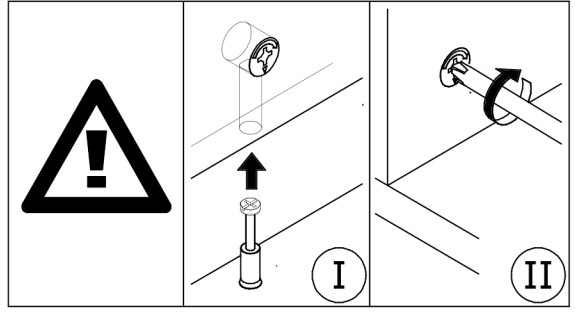
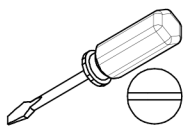
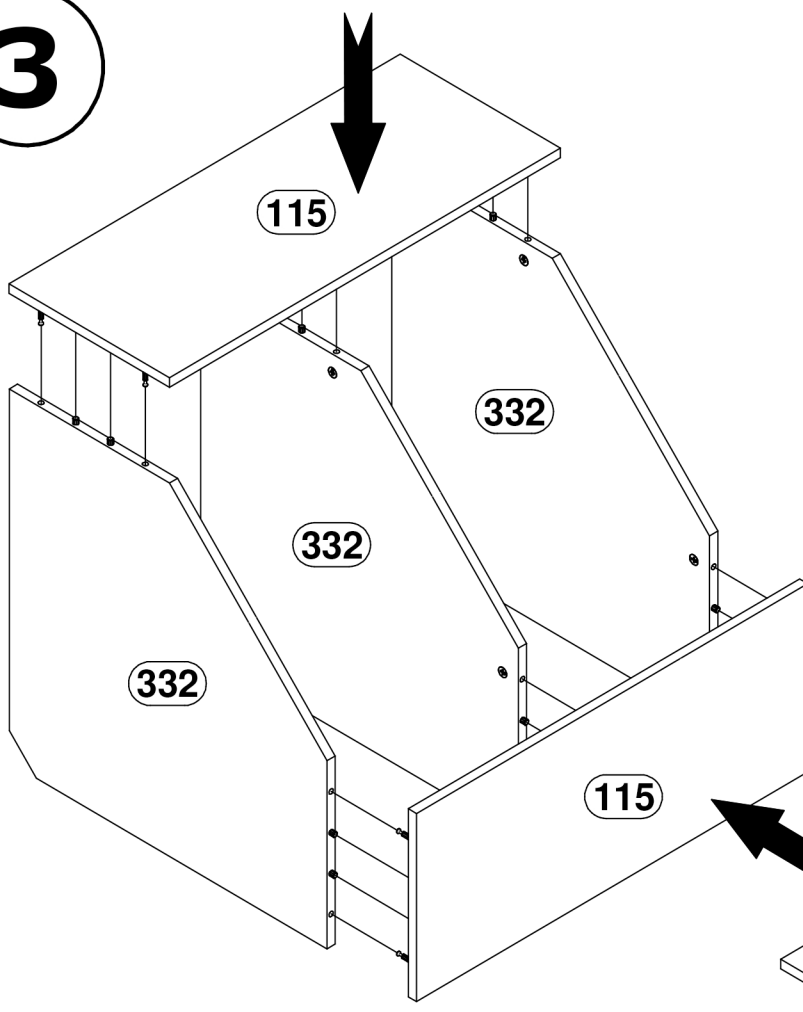
A1 x12
Ø8x35mm

C1 x12
Ø15x12mm

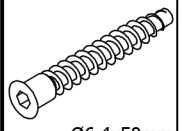



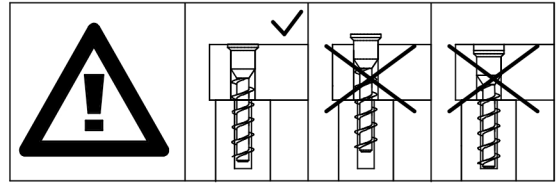
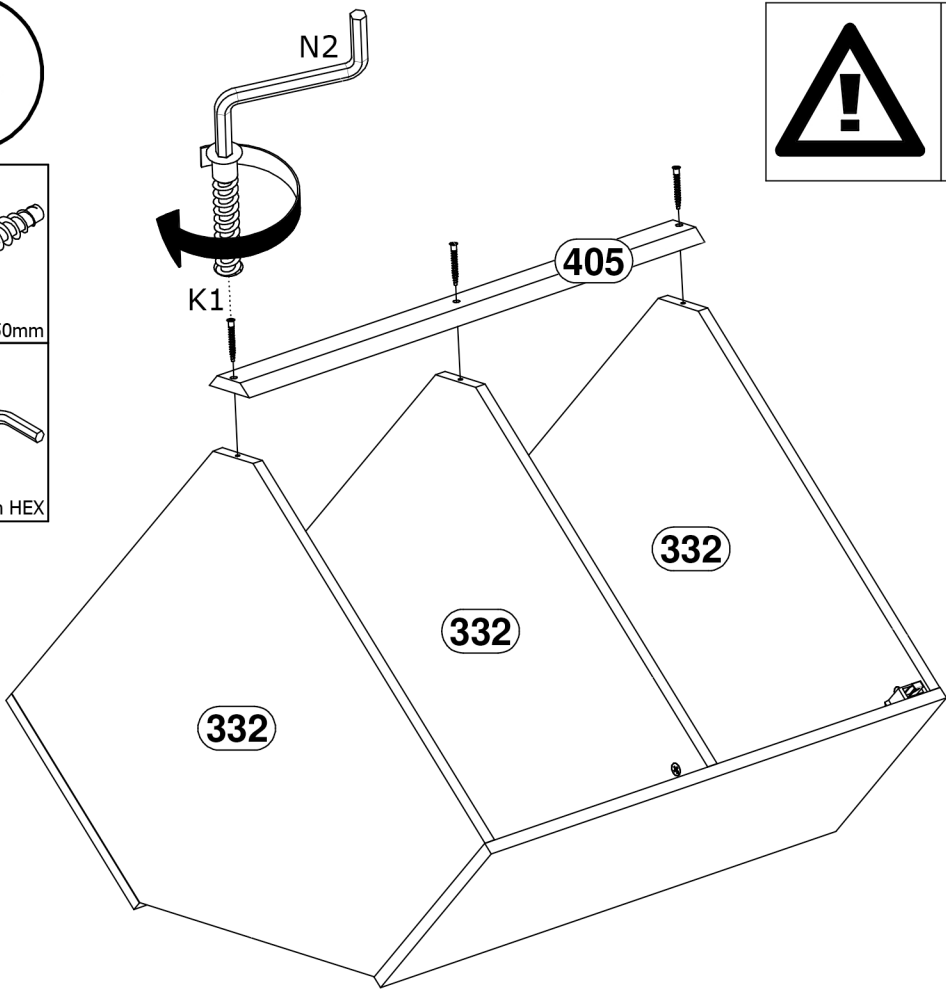
A1

3

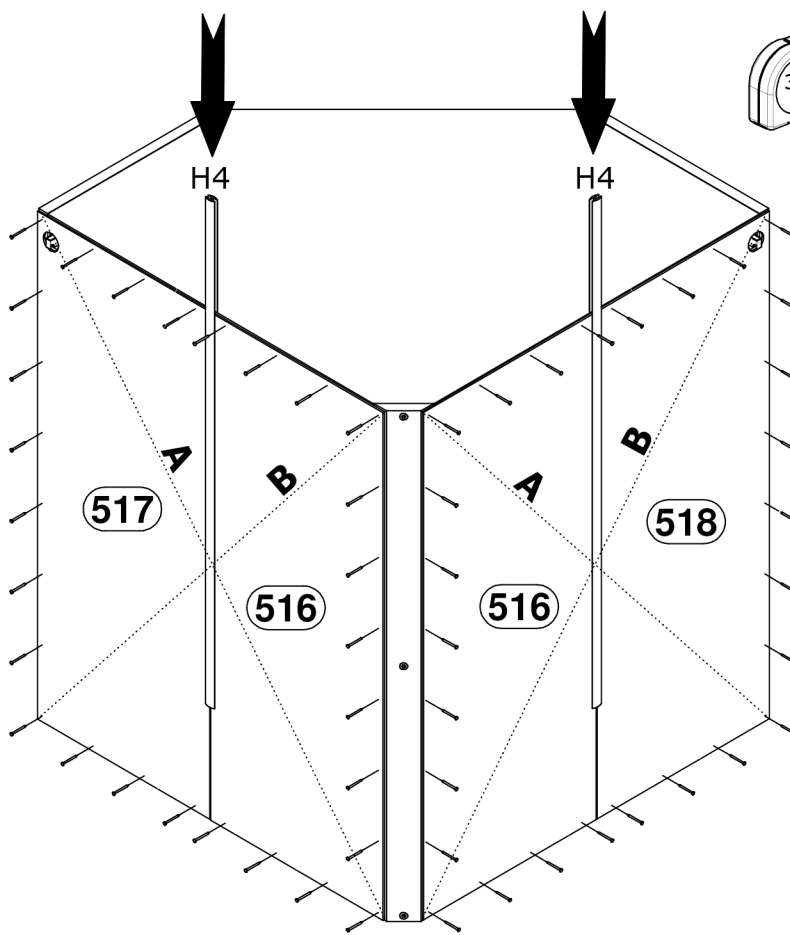
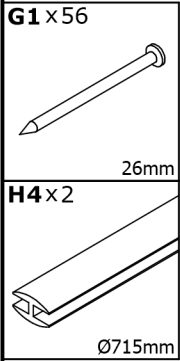


4

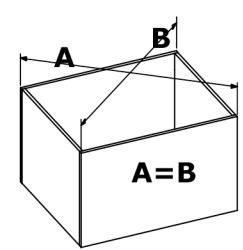
- K1 x3**

Ø6,4x50mm
- N2 x1**

4mm HEX



5

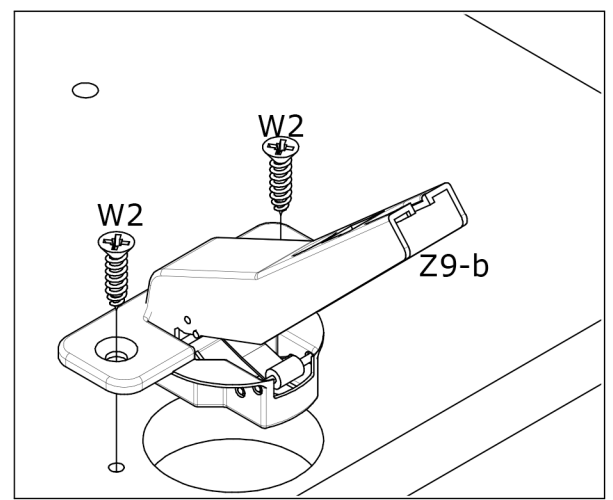
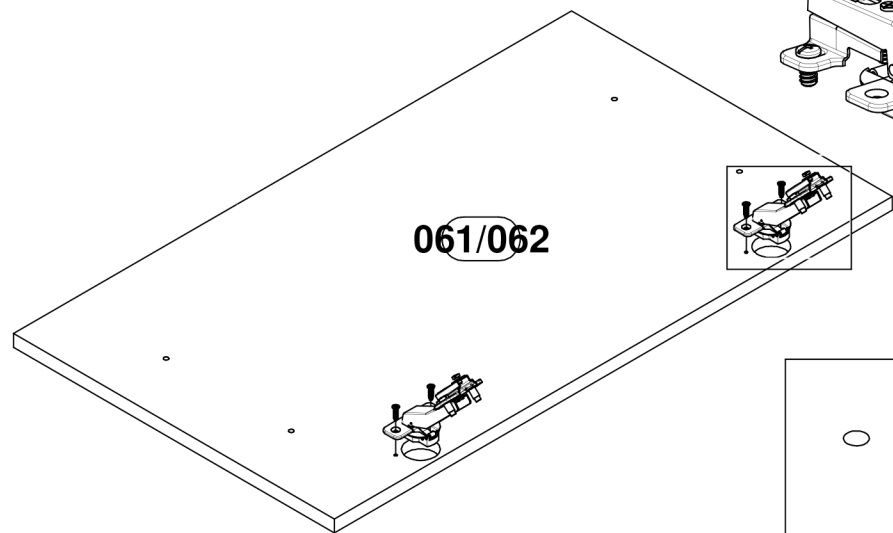
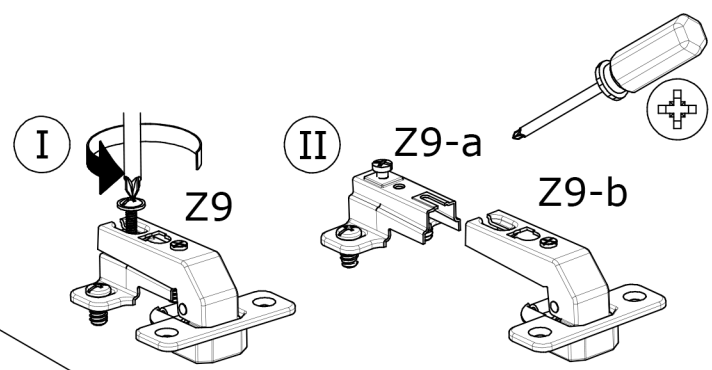
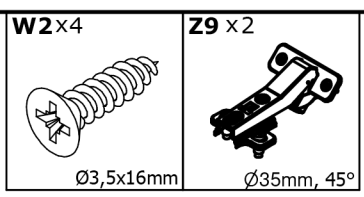


A=B ≡ 90°

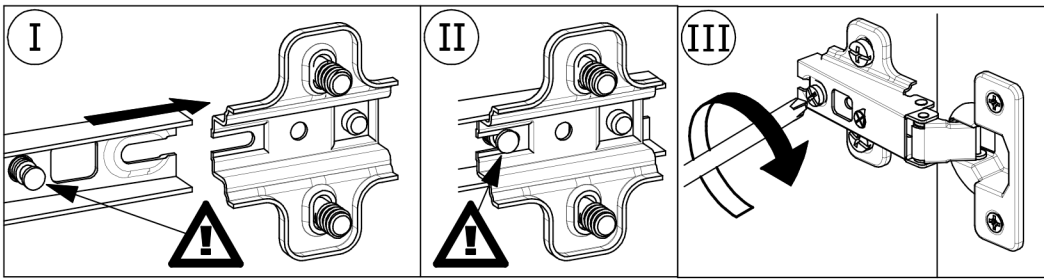
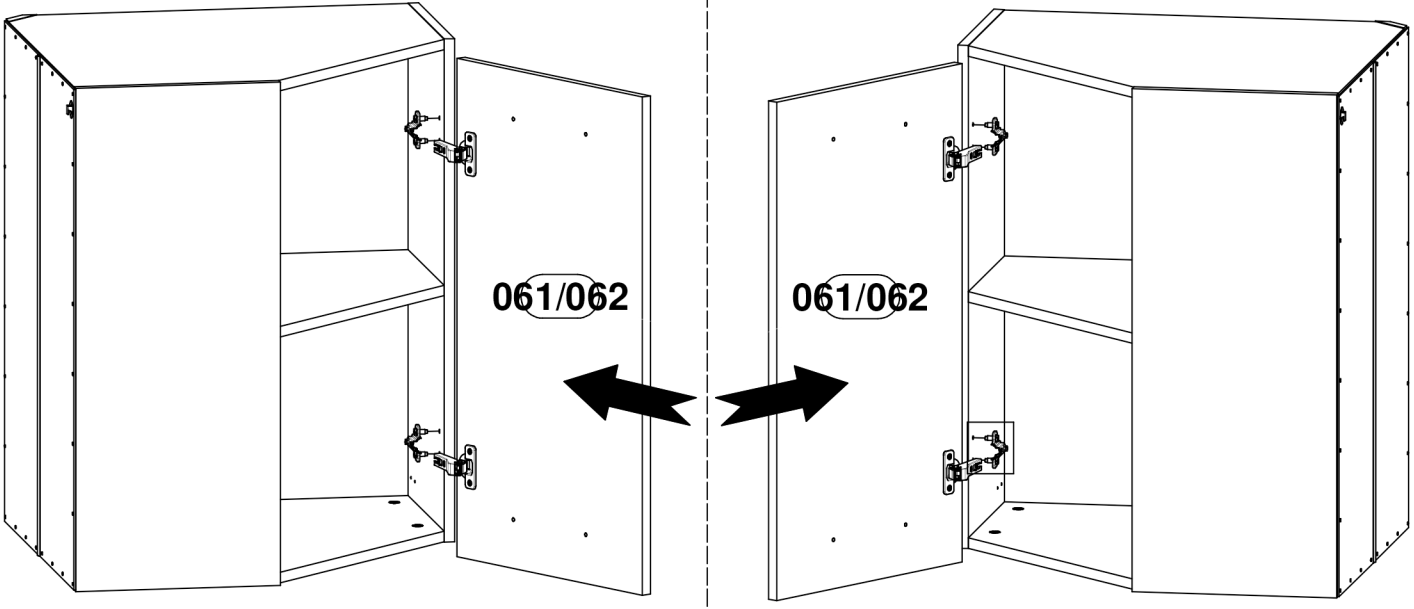
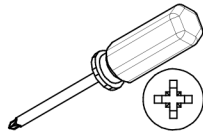
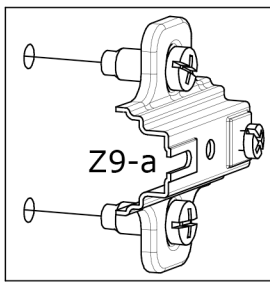
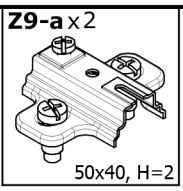


G1

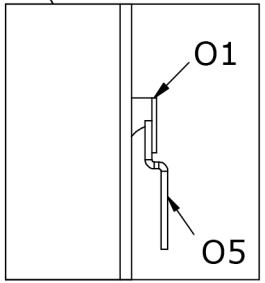
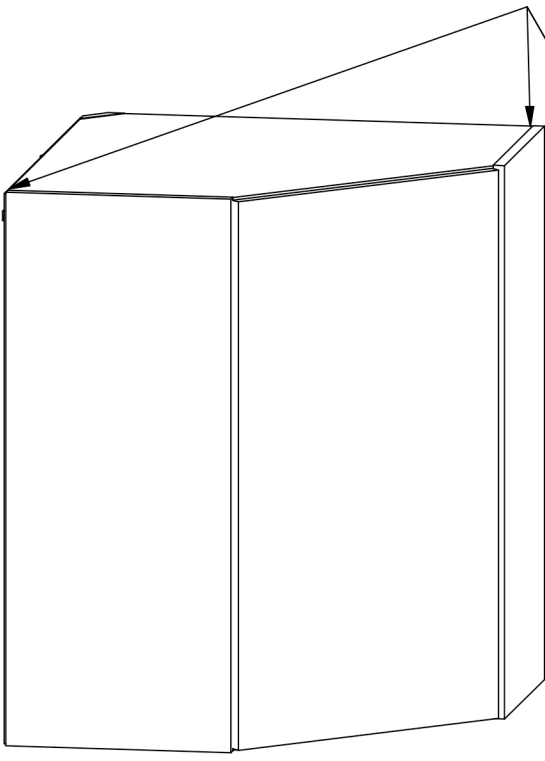
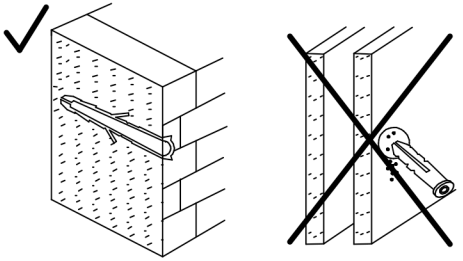
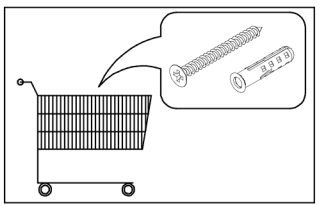
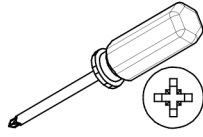
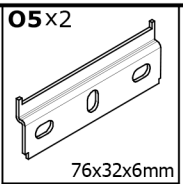
6



7

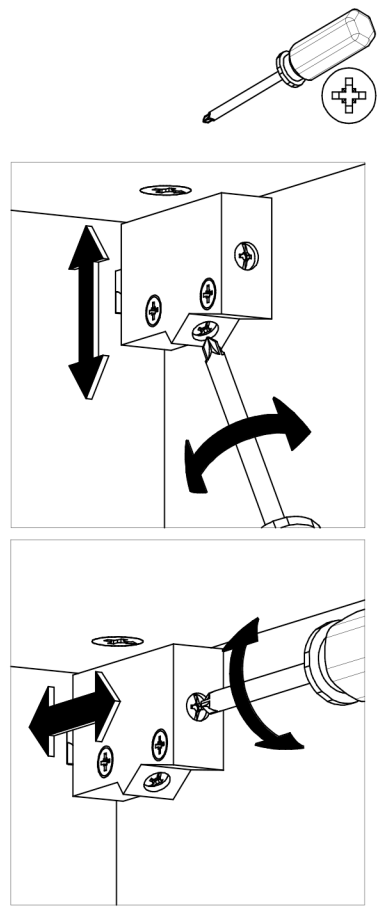
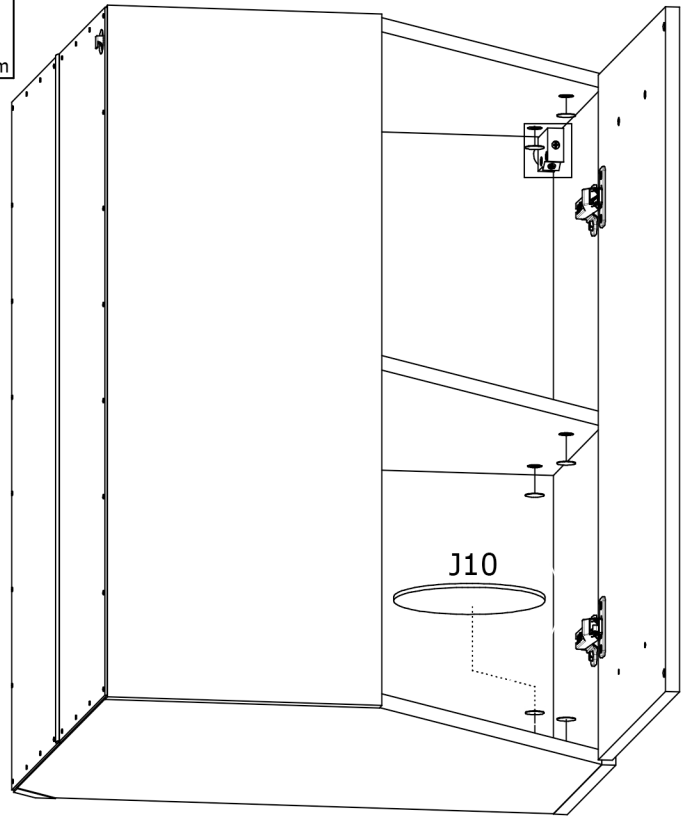


8

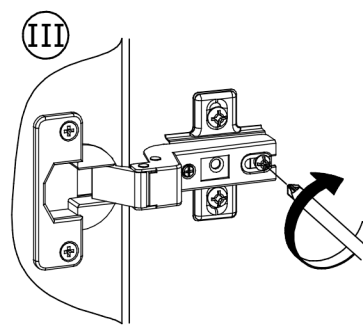
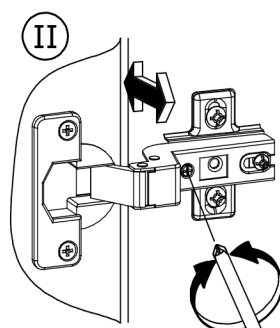
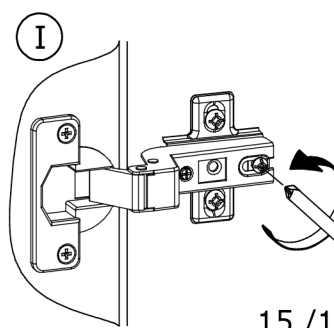
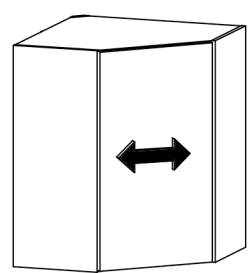
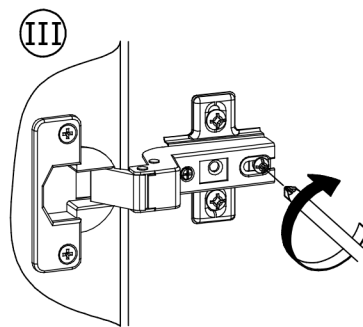
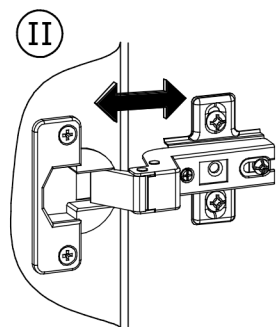
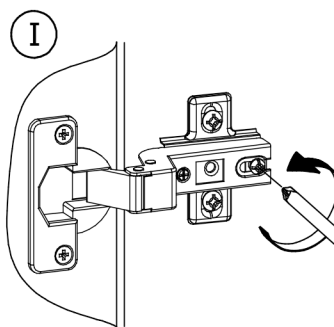
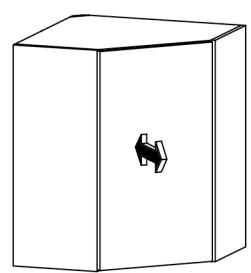
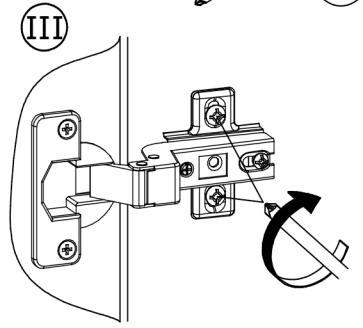
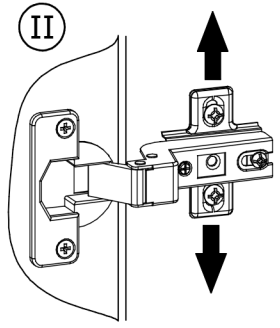
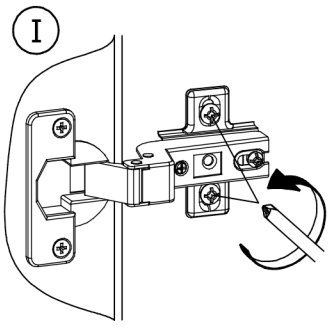
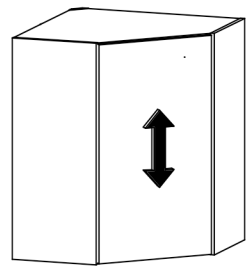


9

J10x12
Ø21mm



10



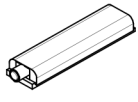
?

A

B

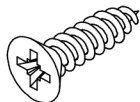
A

I20x

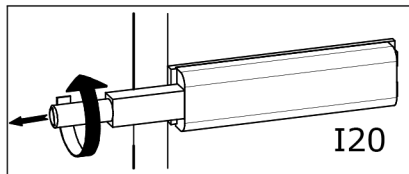


83x21x11mm

W2x



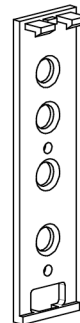
Ø3,5x16mm



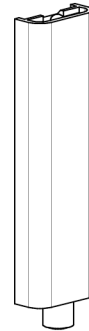
I20



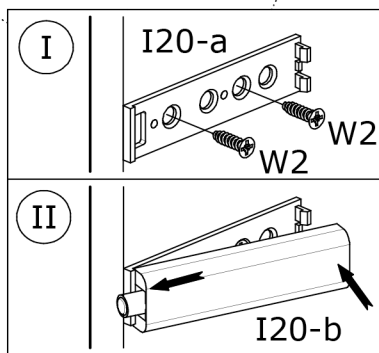
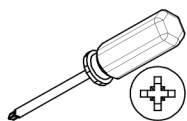
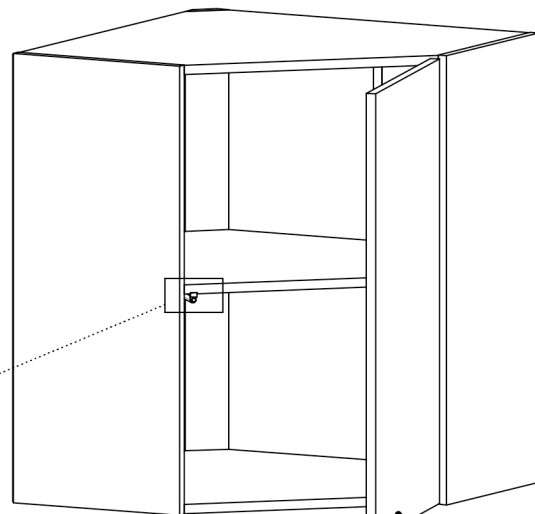
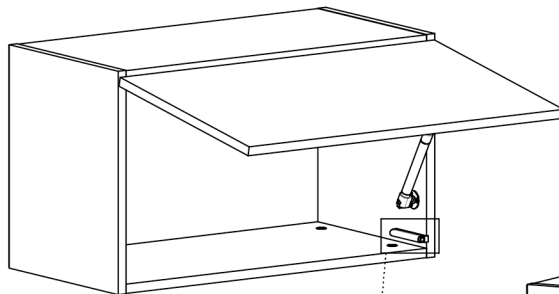
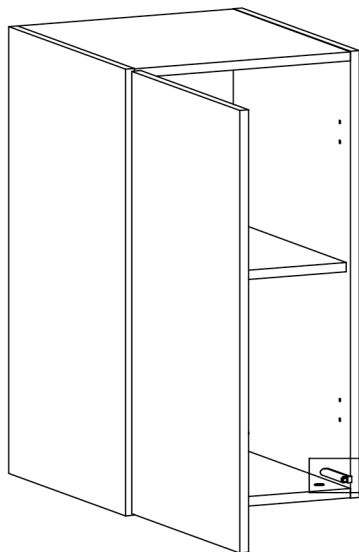
I20



I20-a



I20-b



I

I20-a

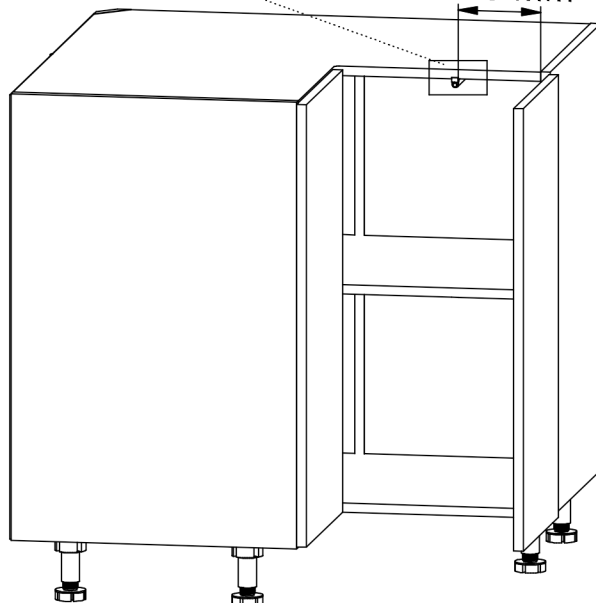
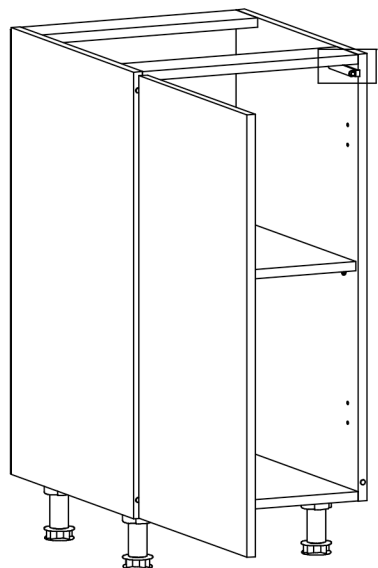
W2

II

I20-b

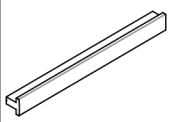


130 mm



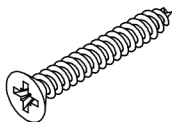
B

U18 / U19



200 / 300mm

W5

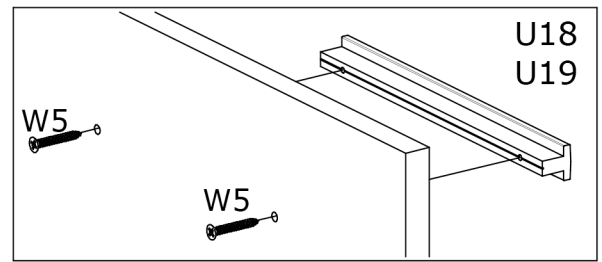
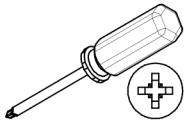


Ø4x30mm

Y1



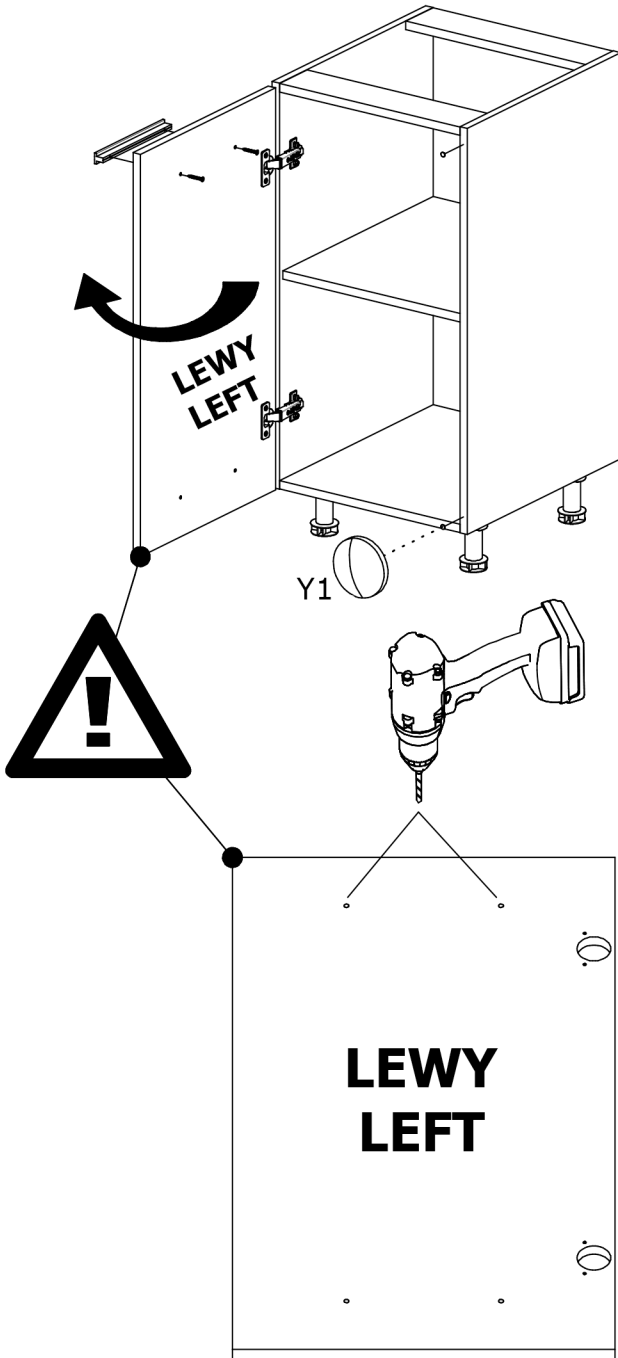
Ø8x1,5mm



U18
U19

W5

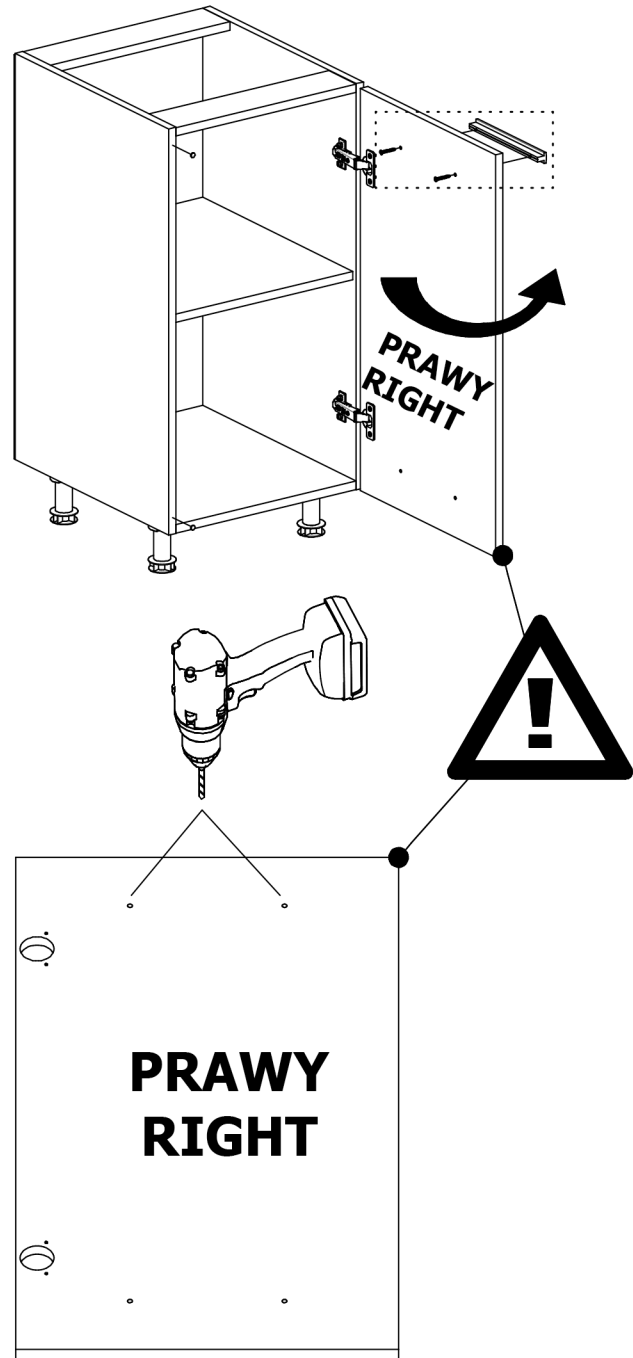
W5



LEWY
LEFT

Y1

LEWY
LEFT



PRAWY
RIGHT

PRAWY
RIGHT

