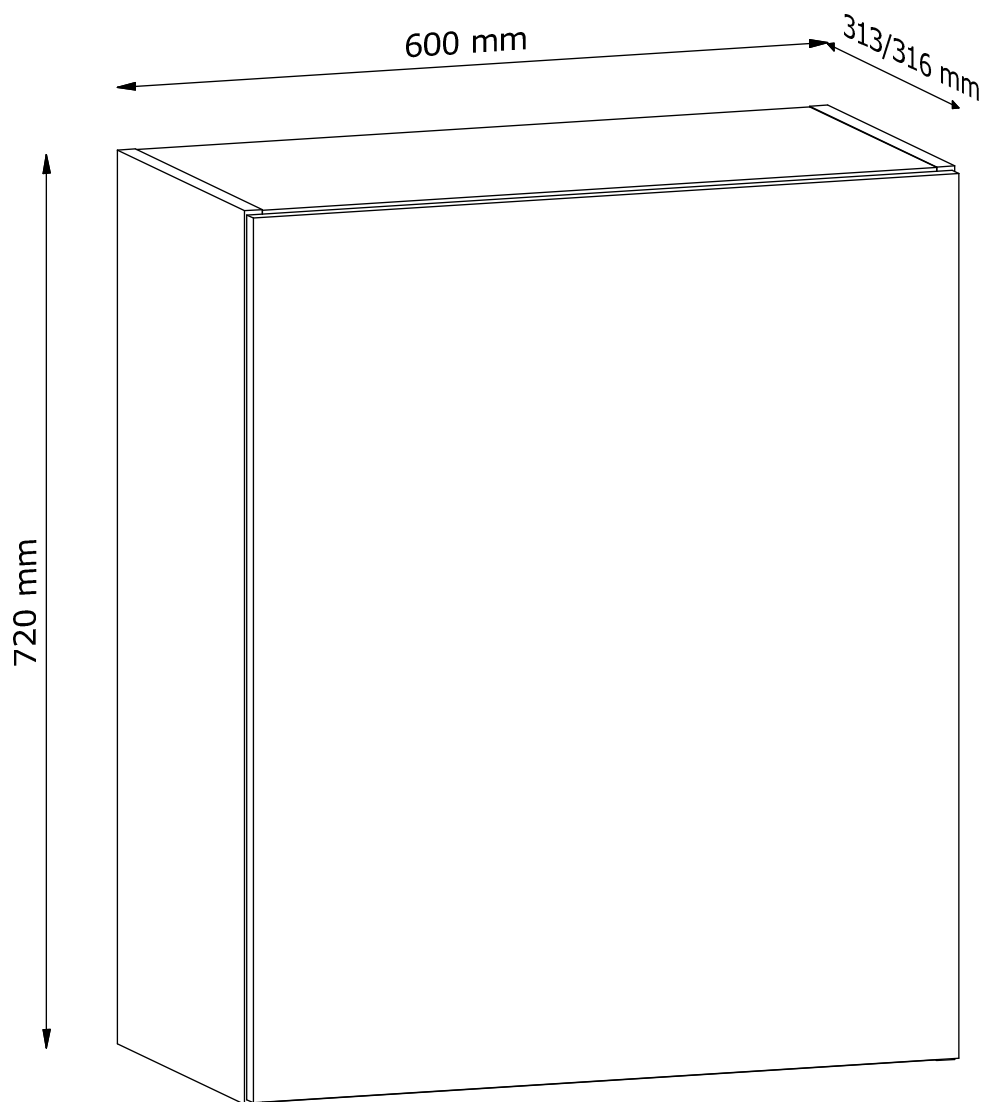


LANGEN

G60



PL: INSTRUKCJA MONTAŻU

EN: ASSEMBLY MANUAL

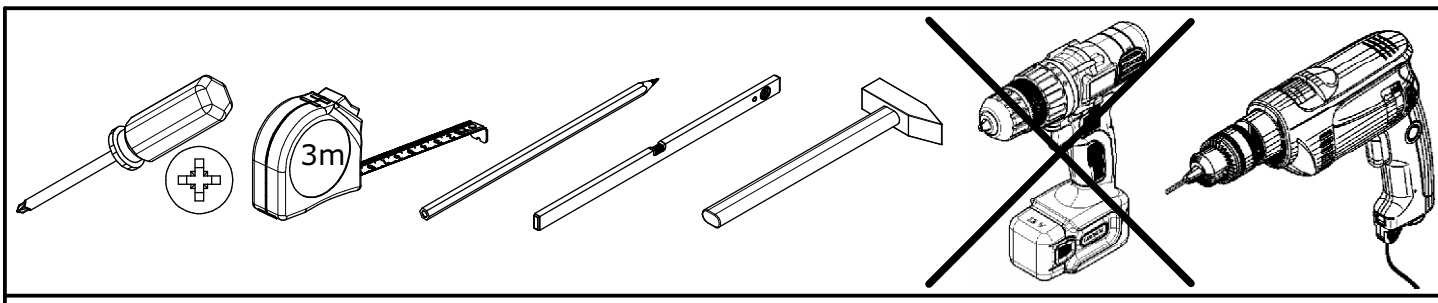
CZ: PŘÍRUČKA PRO MONTÁŽ

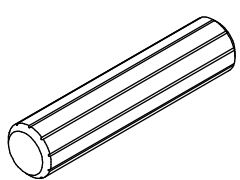
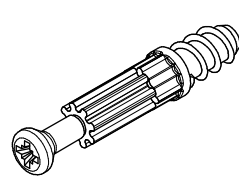
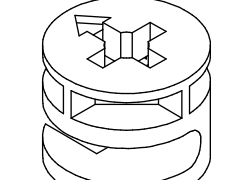
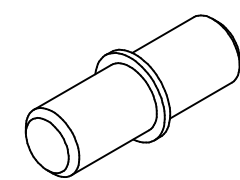
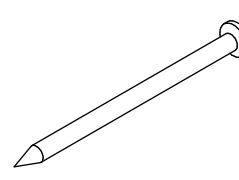
SK: PRÍRUČKA PRE MONTÁŽ

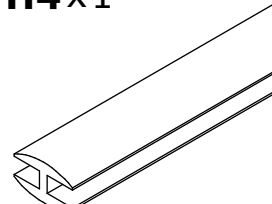
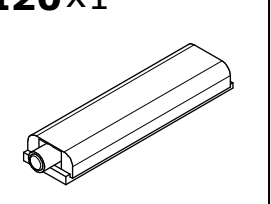
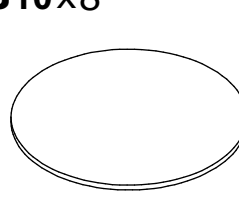
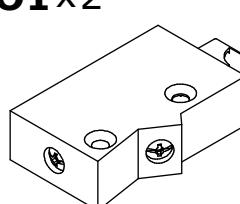
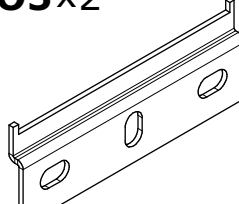
DE: MONTAGEANLEITUNG

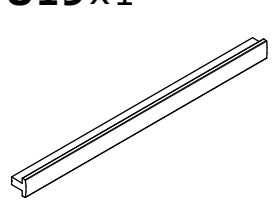
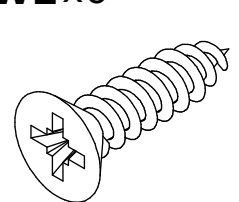
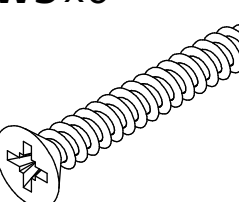
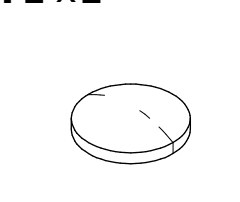
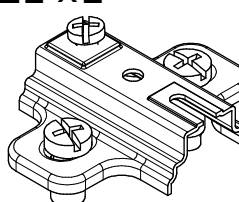
SR: UPUTSTVO ZA INSTALACIJU

NL: MONTAGE-INSTRUCTIES

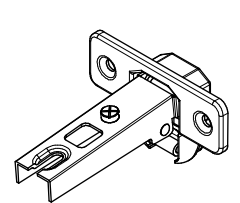


A1 x 8  $\text{Ø}8 \times 35 \text{mm}$	B1 x 8  $\text{Ø}5 \times 38 \text{mm}$	C1 x 8  $\text{Ø}15 \times 12 \text{mm}$	E1 x 4  $\text{Ø}5 \times 16 \text{mm}$	G1 x 28  26mm
--	---	--	--	---

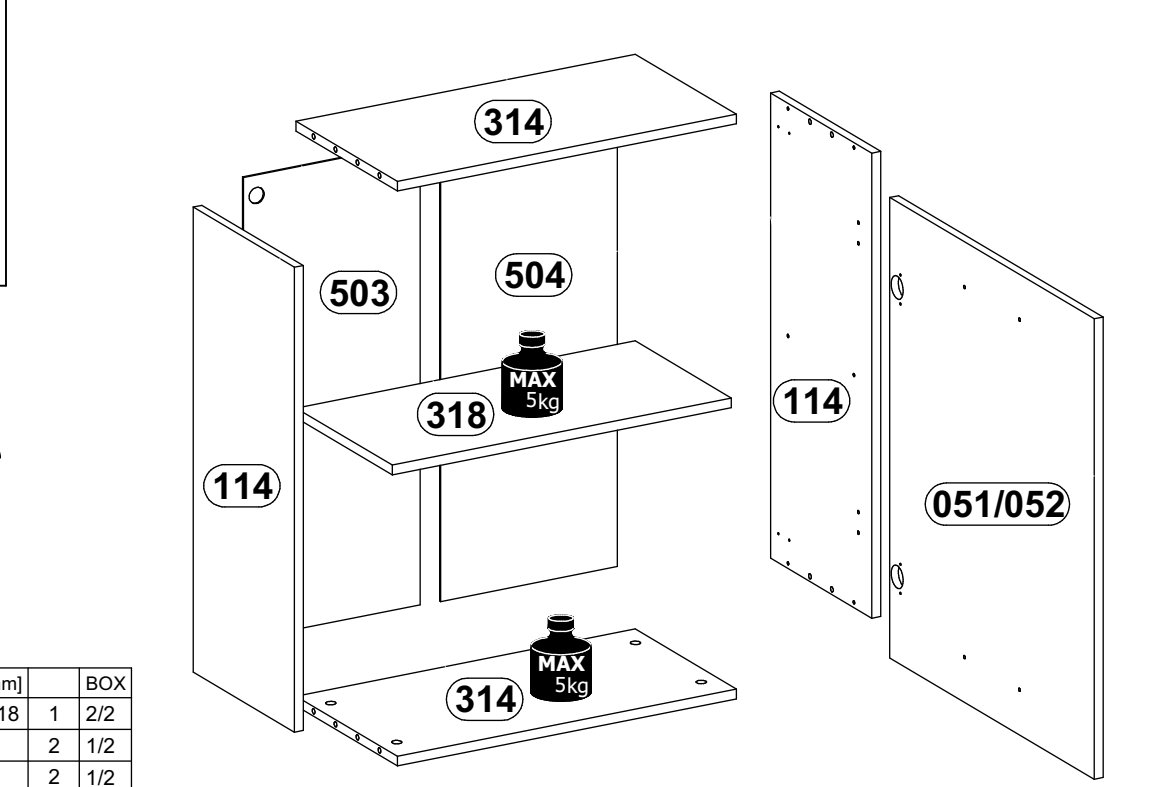
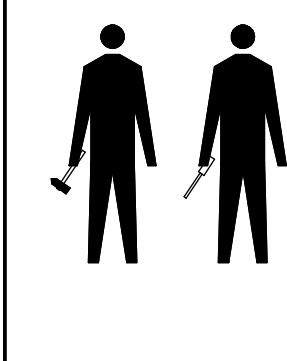
H4 x 1  715mm	I20 x 1  $83 \times 21 \times 11 \text{mm}$	J10 x 8  $\text{Ø}21 \text{mm}$	O1 x 2  $70 \times 39 \times 18 \text{mm}$	O5 x 2  $76 \times 32 \times 6 \text{mm}$
--	---	---	---	---

U19 x 1  300mm	W2 x 6  $\text{Ø}3,5 \times 16 \text{mm}$	W5 x 6  $\text{Ø}4 \times 30 \text{mm}$	Y1 x 2  $\text{Ø}8 \times 1,5 \text{mm}$	Z1 x 2  $50 \times 40, H=2$
---	---	---	---	---

Z3 x 2



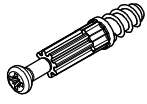
n 35, ZK0



No.	L[mm]	W[mm]	H[mm]		BOX
051/052	713	596	15/18	1	2/2
114	720	295	15	2	1/2
314	570	295	15	2	1/2
318	570	280	15	1	1/2
503	716	297	2,5	1	1/2
504	716	297	2,5	1	1/2

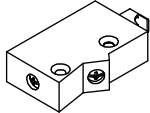
1

B1 x8



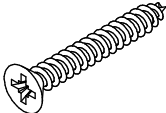
Ø5x38mm

O1 x2

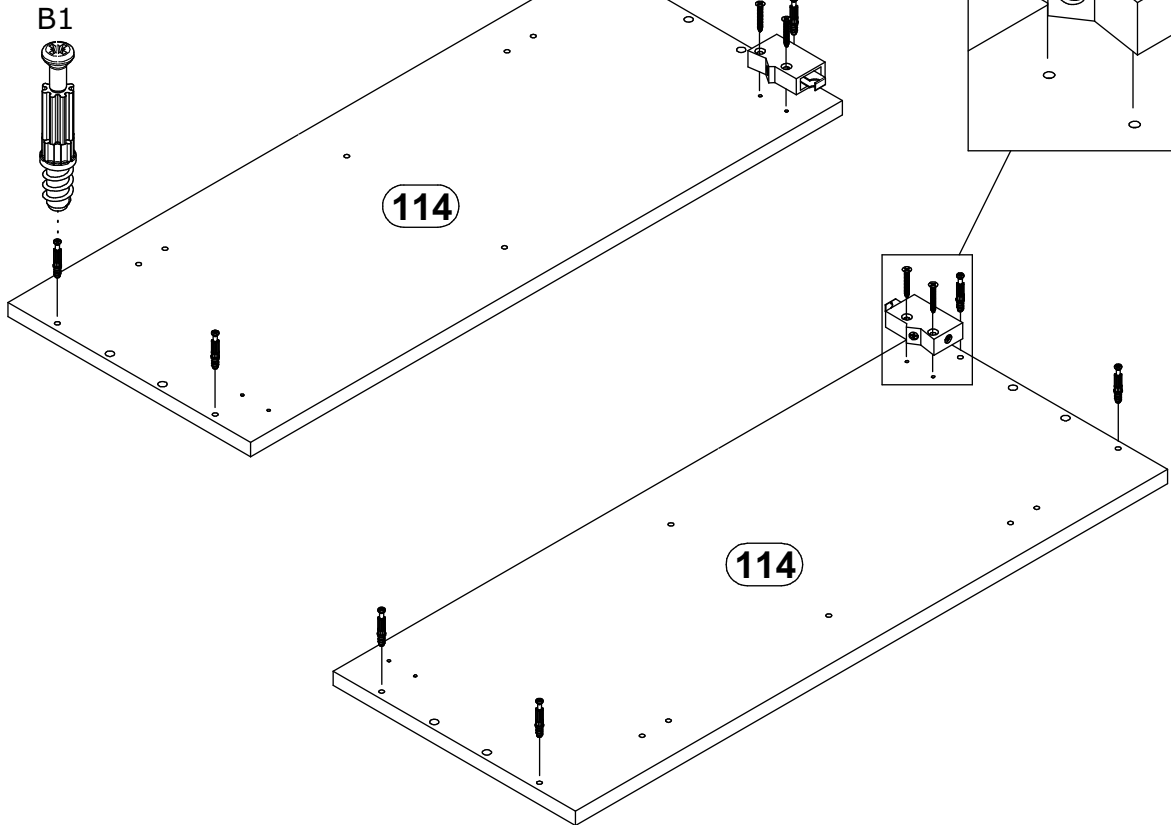
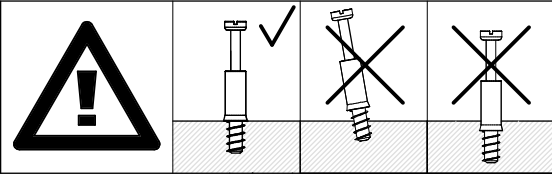
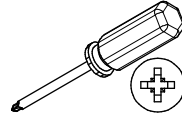


70x39x18mm

W5 x4

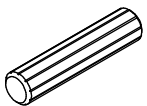


Ø4x30mm



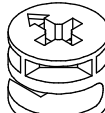
2

A1 x8

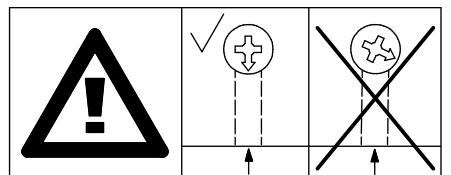
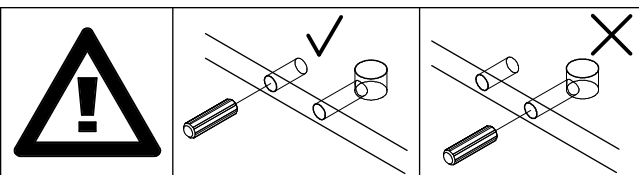
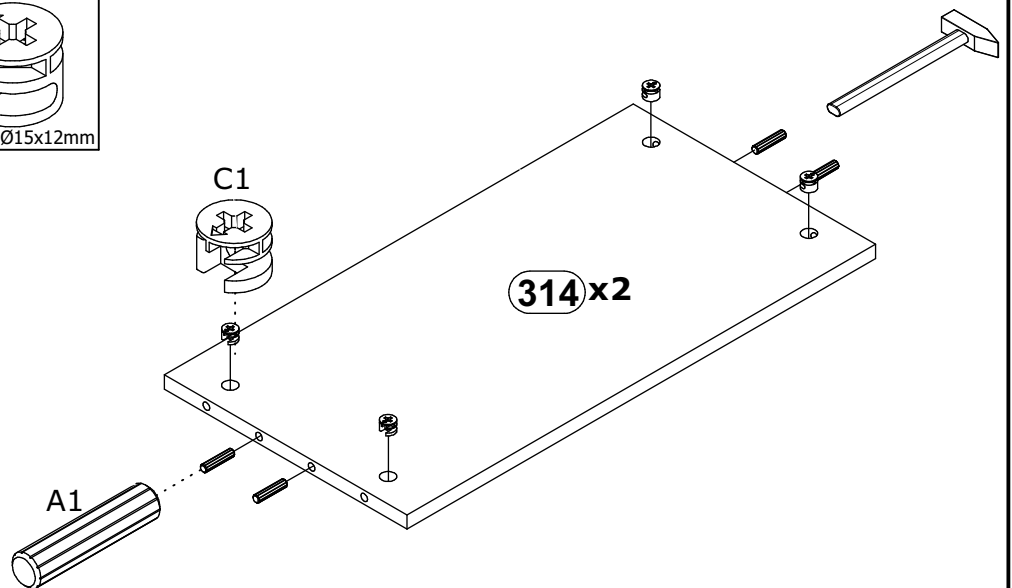


Ø8x35mm

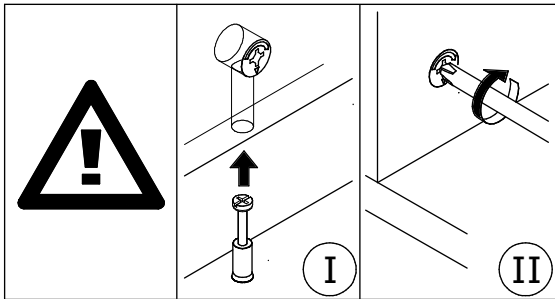
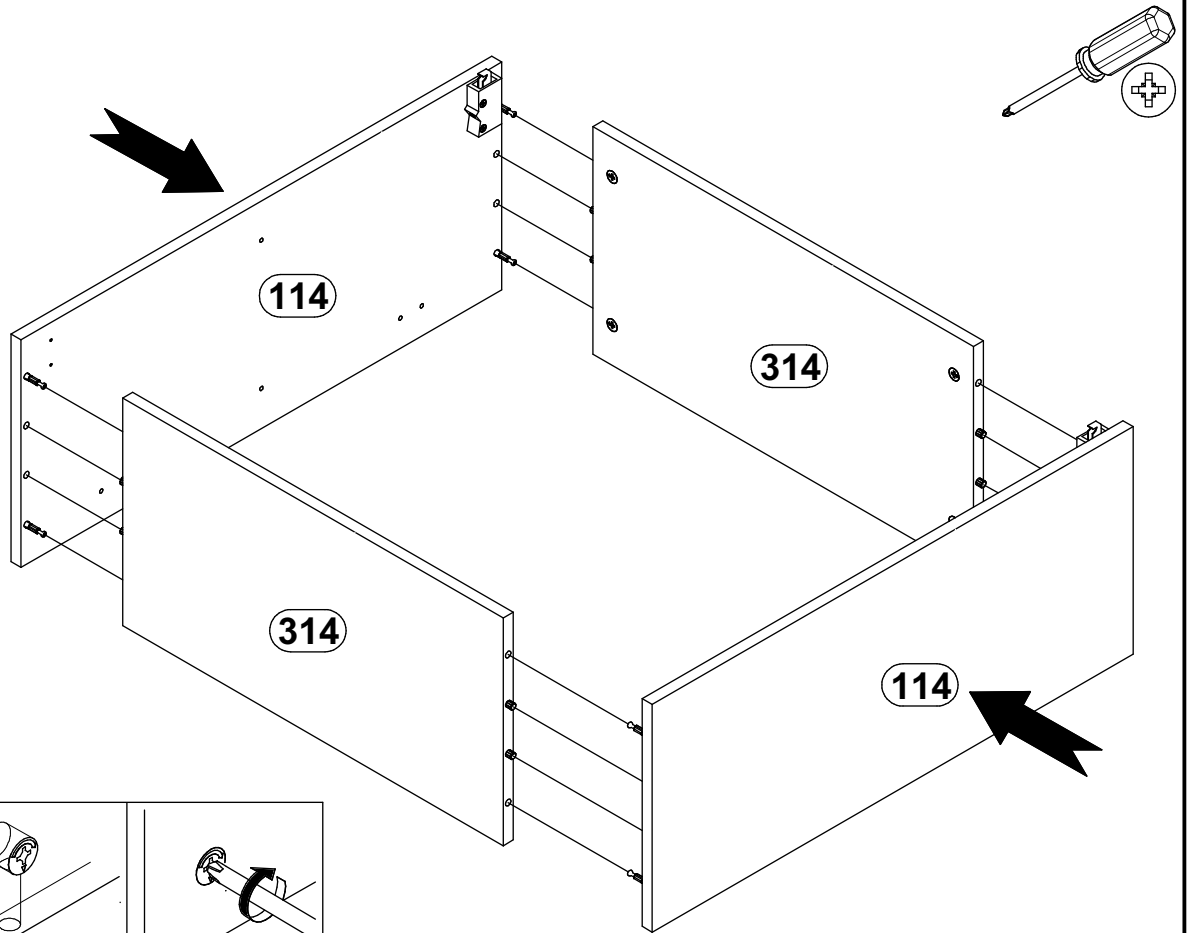
C1 x8



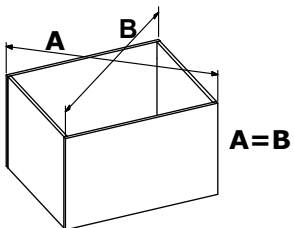
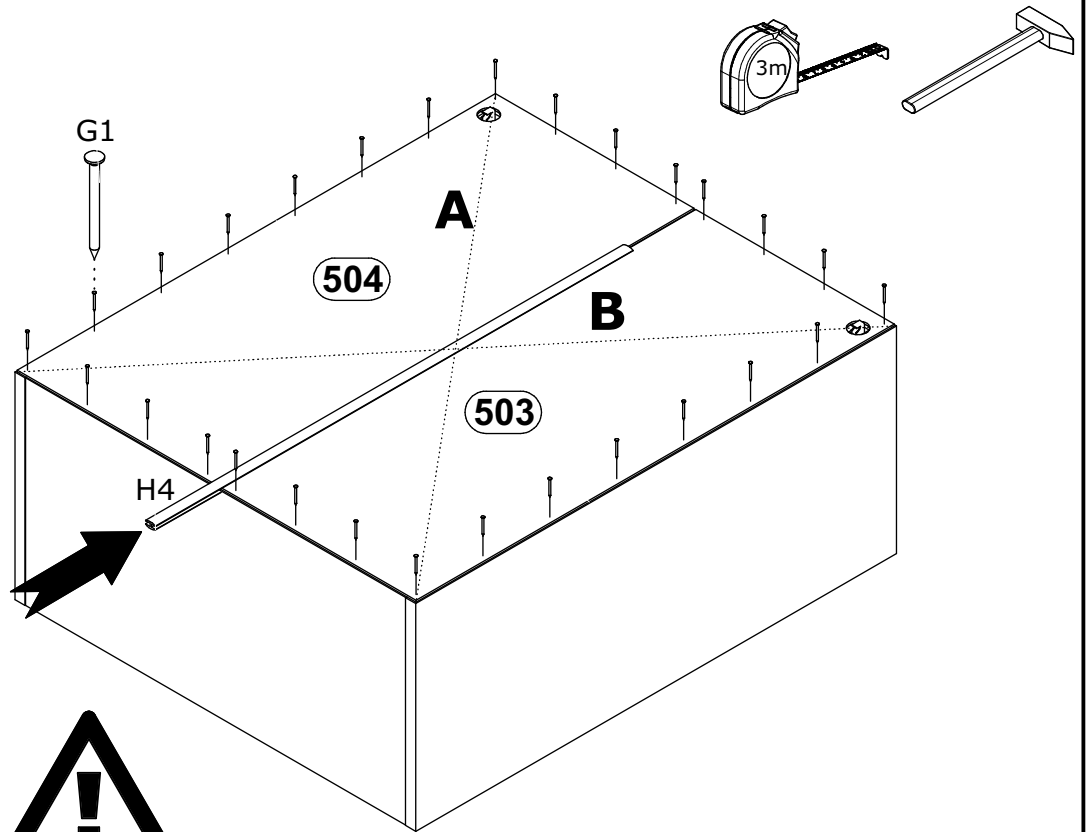
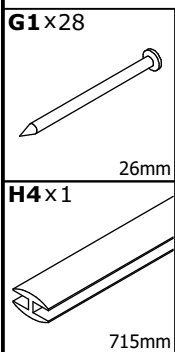
Ø15x12mm



3

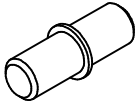


4



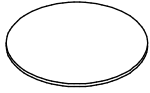
5

E1 x4

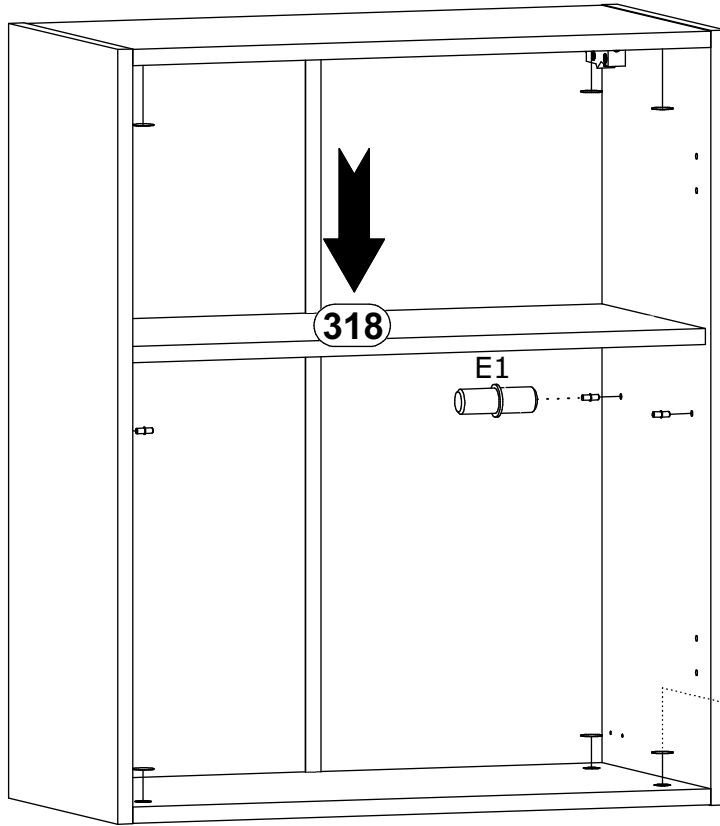
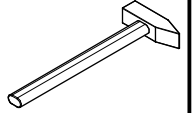


Ø5x16mm

J10x8

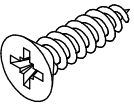


Ø21mm



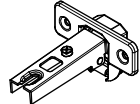
6

W2 x4

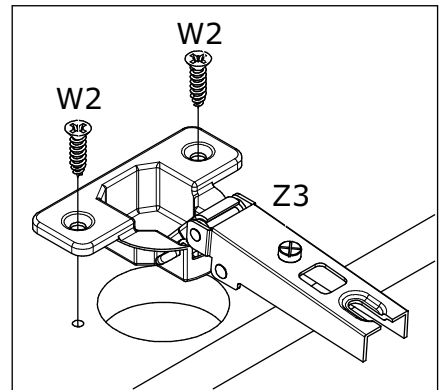
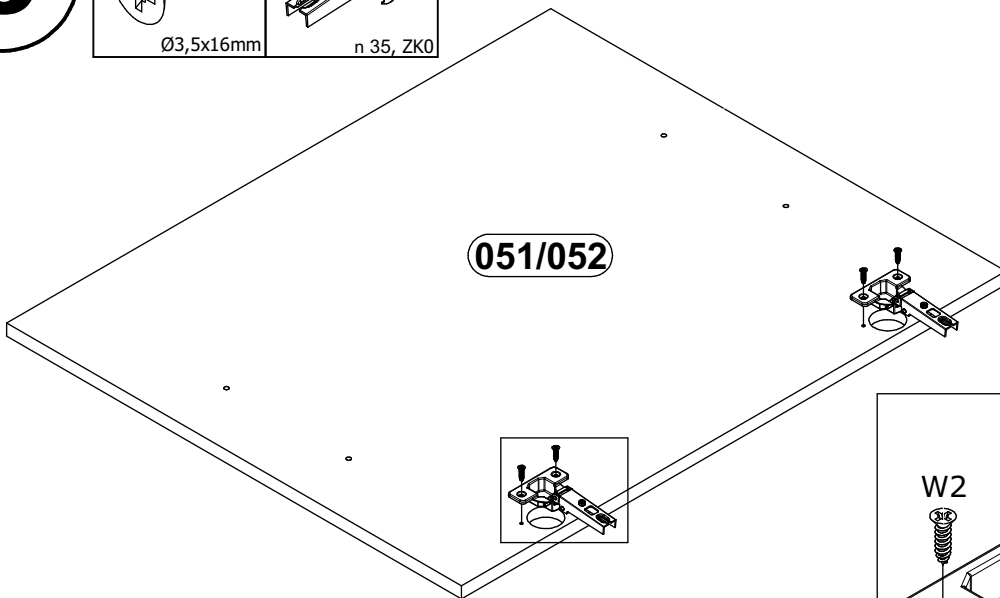
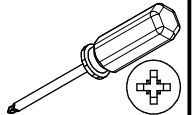


Ø3,5x16mm

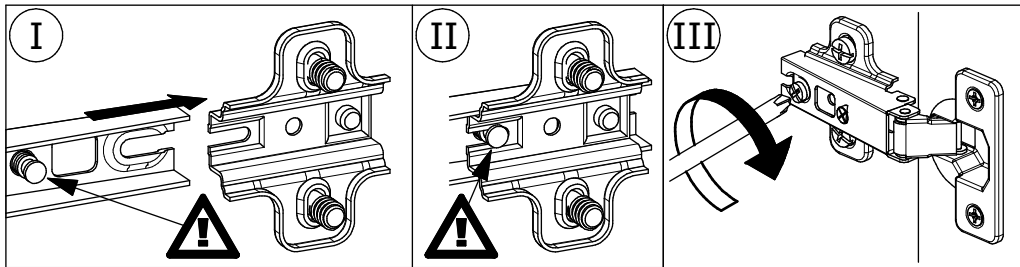
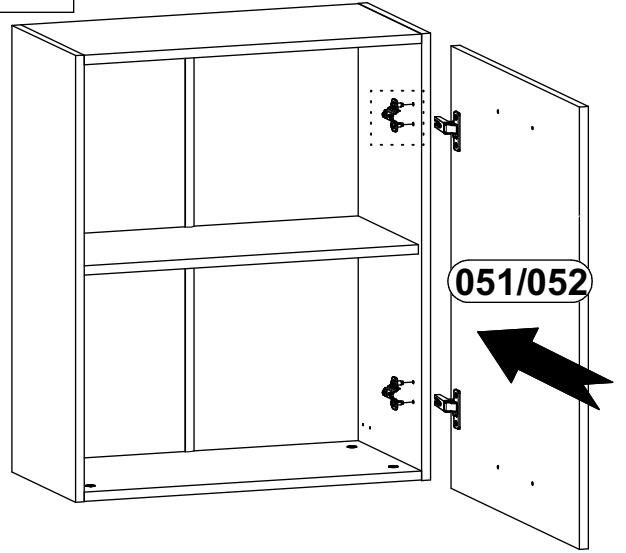
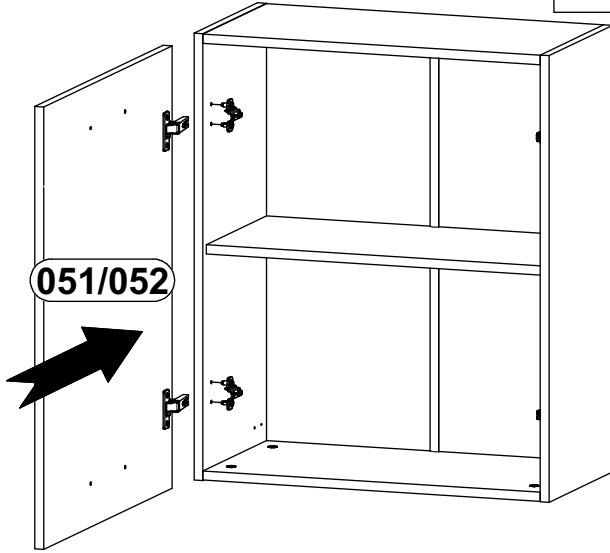
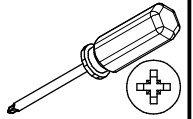
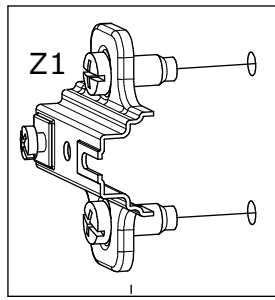
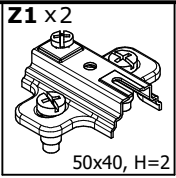
Z3 x2



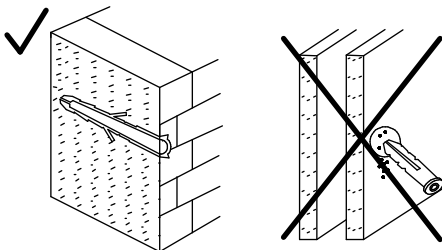
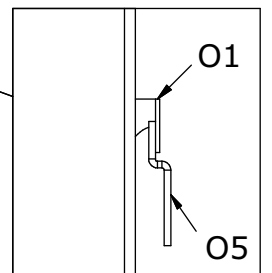
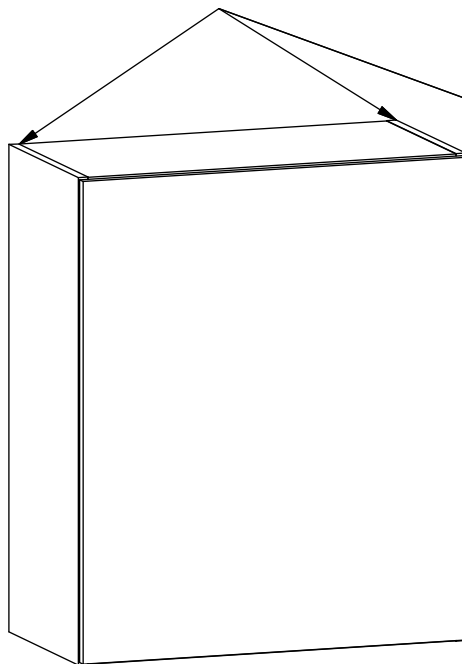
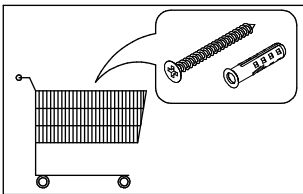
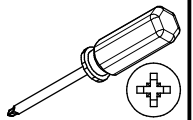
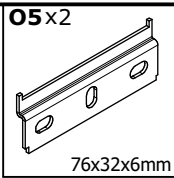
n 35, ZK0



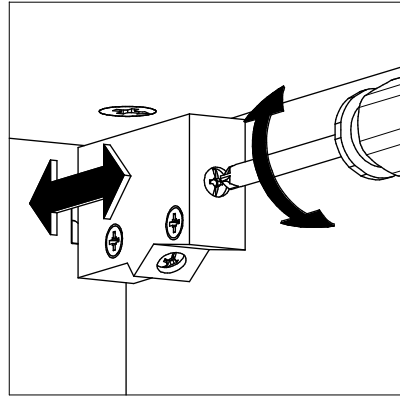
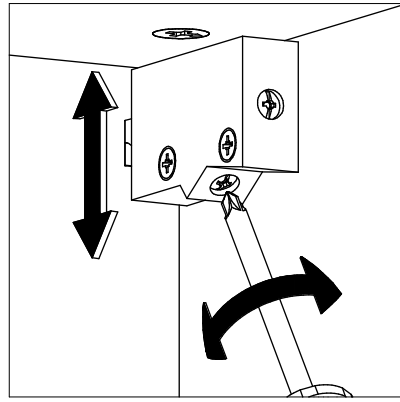
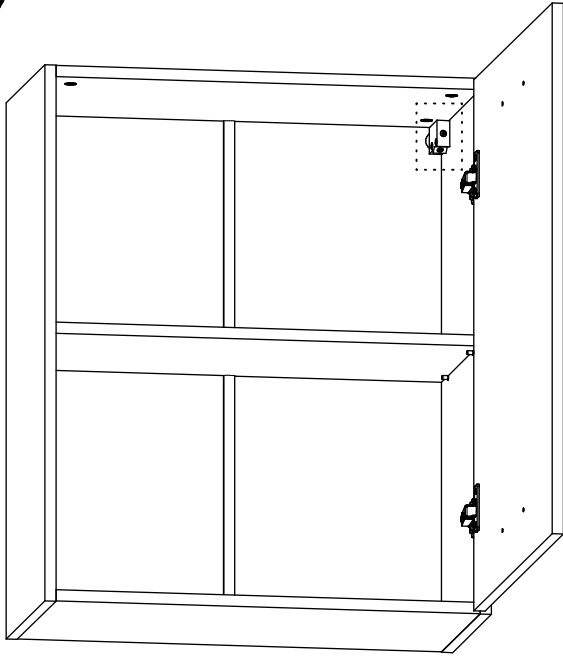
7



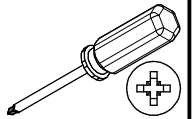
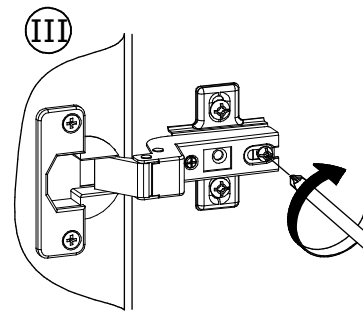
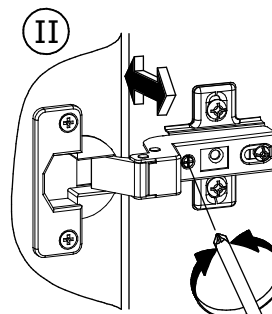
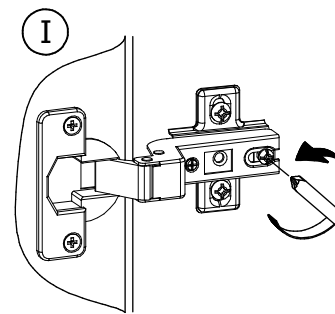
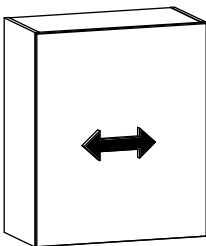
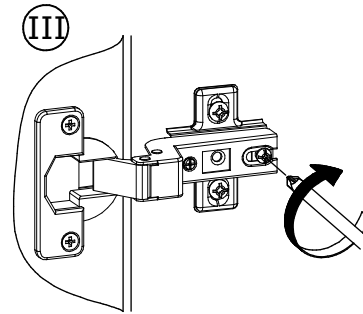
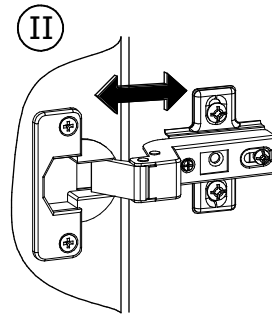
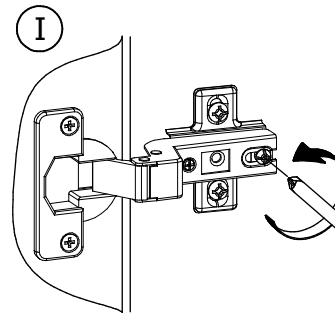
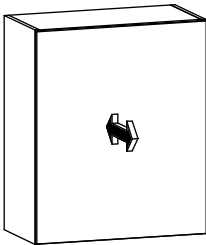
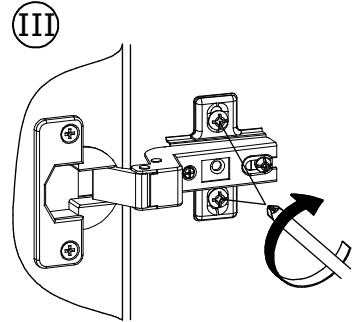
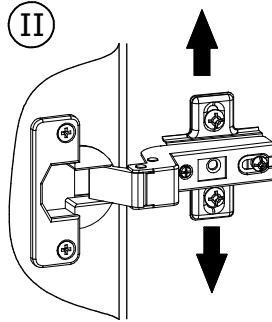
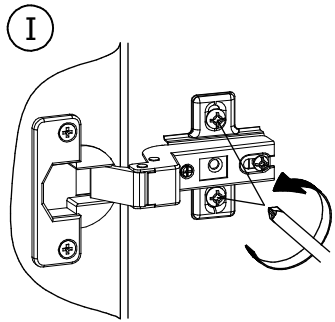
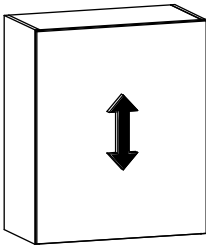
8



9



10



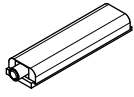
?

A

B

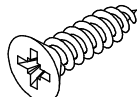
A

I20x

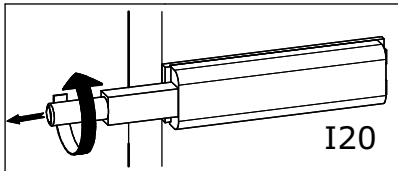


83x21x11mm

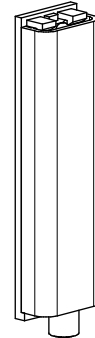
W2x



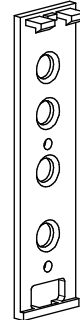
Ø3,5x16mm



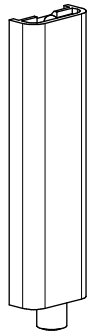
I20



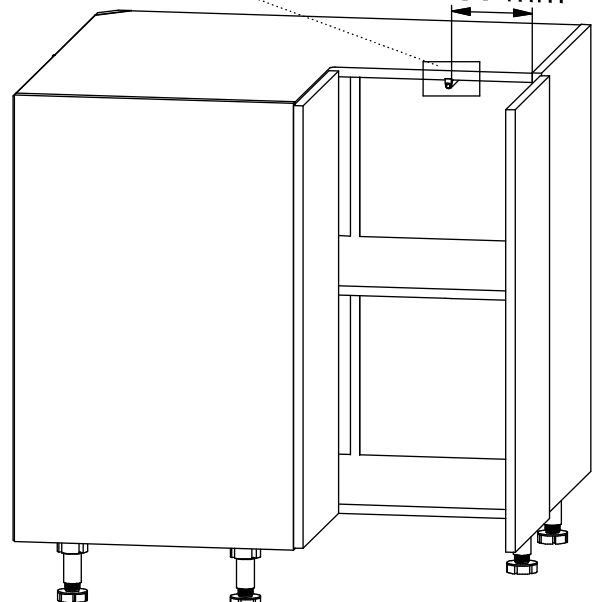
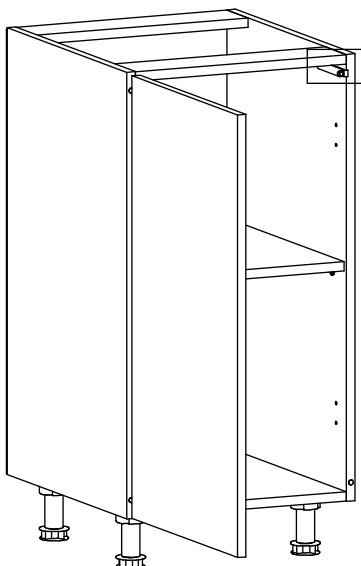
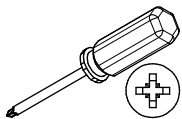
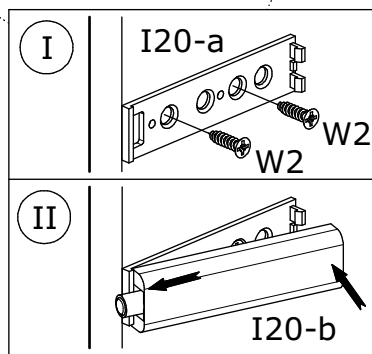
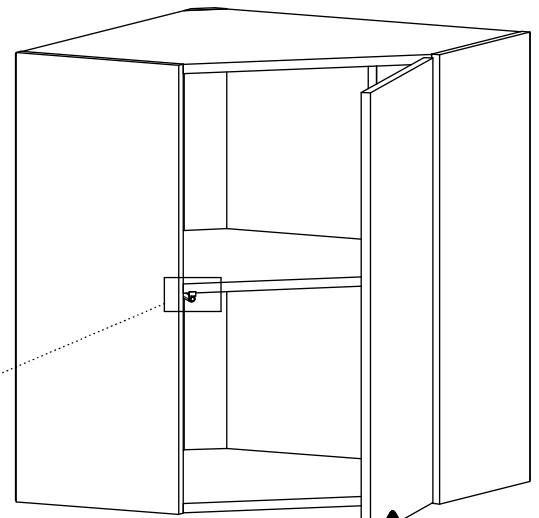
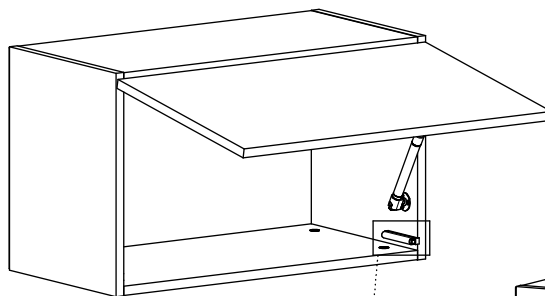
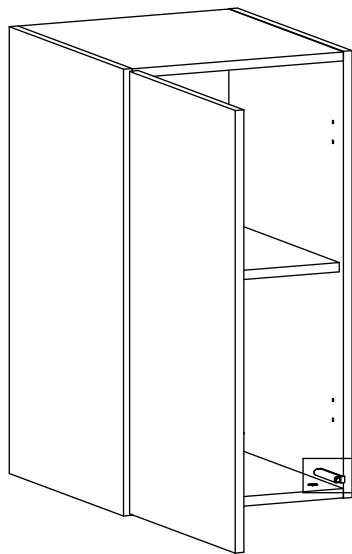
I20



I20-a

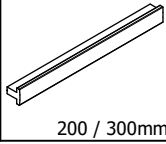


I20-b

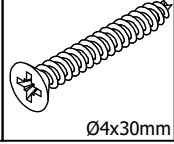


B

U18 / U19



W5



Y1



200 / 300mm

Ø4x30mm

Ø8x1,5mm

