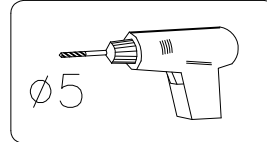
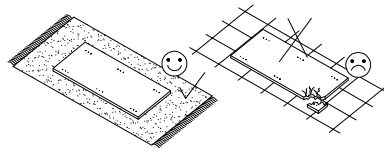
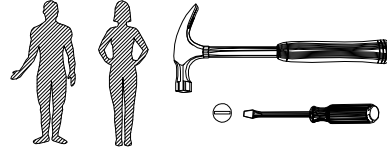
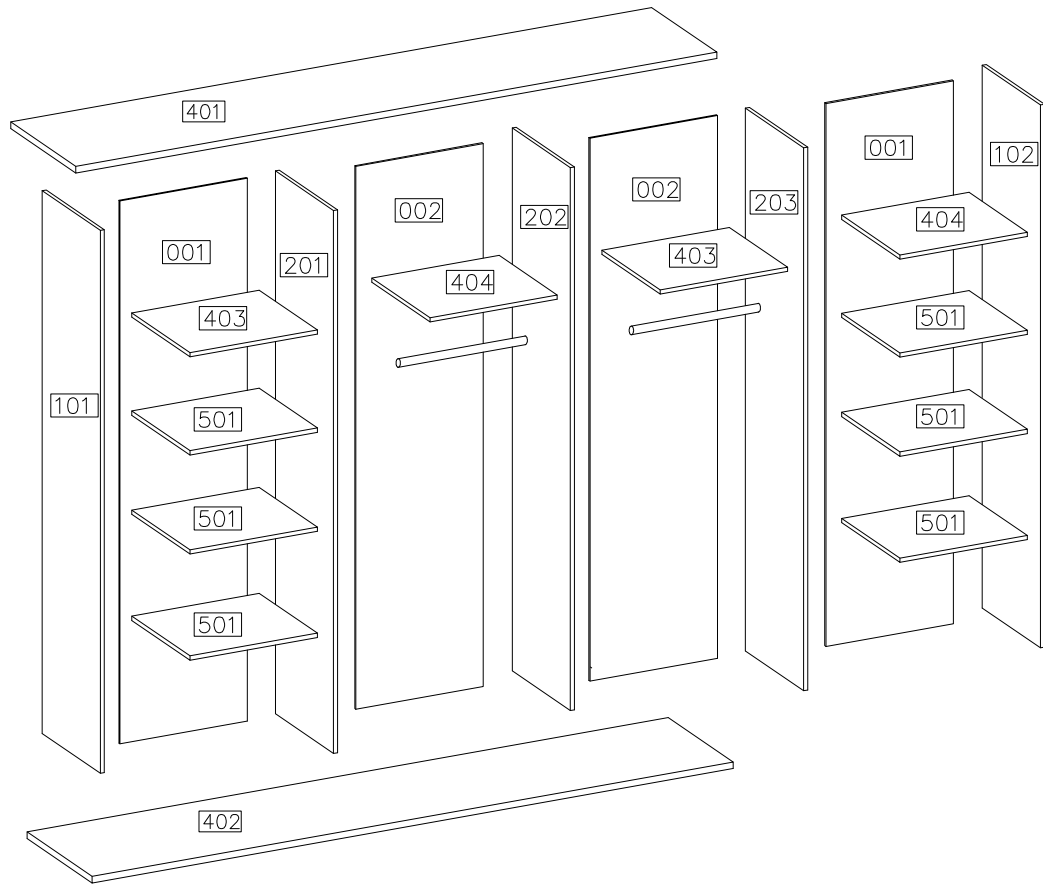
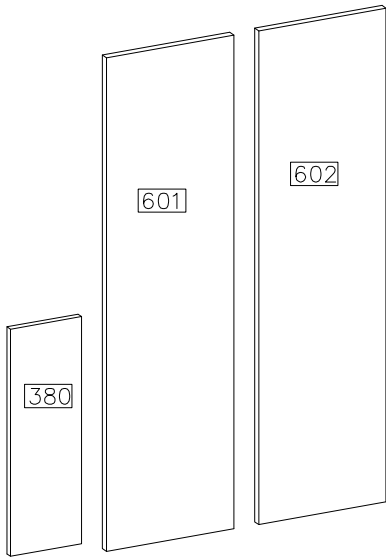
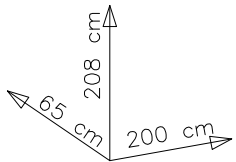


# BAFRA

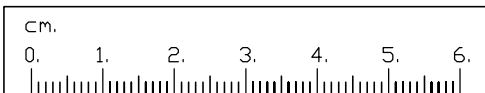
## 21




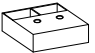
#		
1	401	1
2	402	1
3	403	2
4	404	2
5	101	1
6	102	1
7	201	1
8	202	1
9	203	1
10	501	6
11	601	2
12	602	2
13	001	2
14	002	2
15	380	2

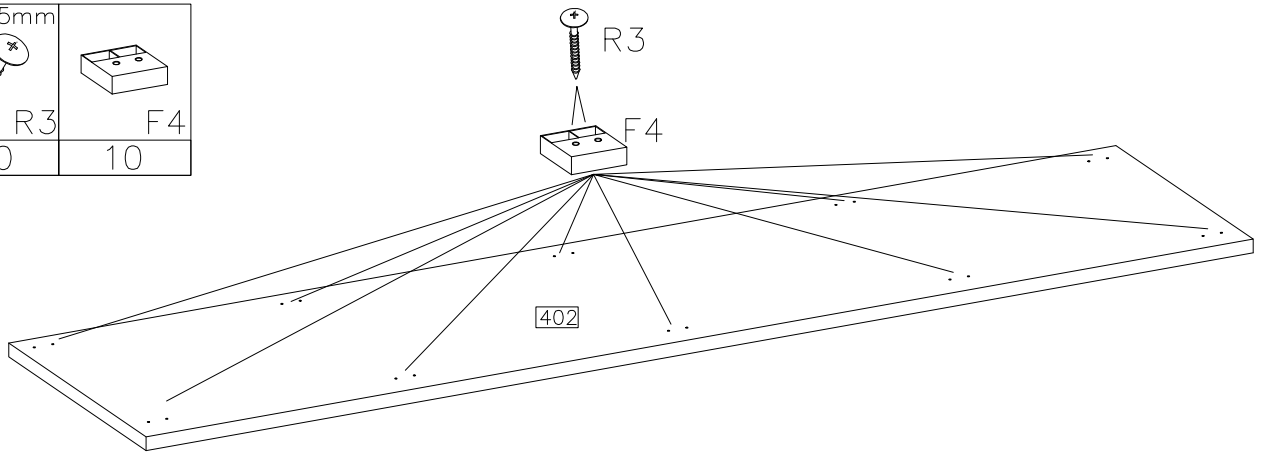


D1 36	Ø15/12mm C 36	E 36	Ø8x30mm A 54	H=0 H4 12	Ø35/KR-15 G7 6	Ø35/KR-8 G8 6	Ø4.0x16mm P1 28	4.0x40mm R2 8	11mm C2 8	O12 2
F10 100	4.0x35mm R3 20	F4 10	O10 4	3.5x13mm P2 8	J4 24	F8 30	S1 2			




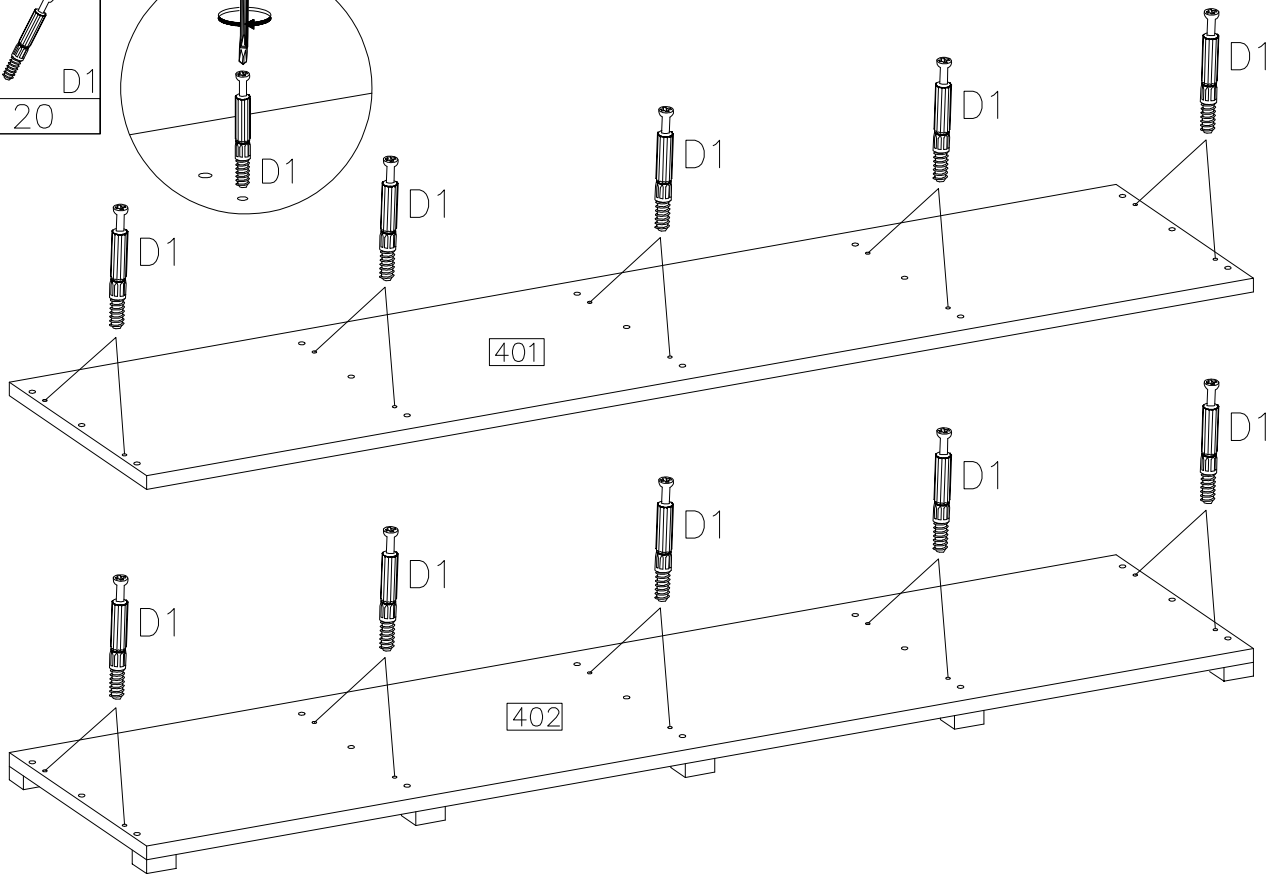
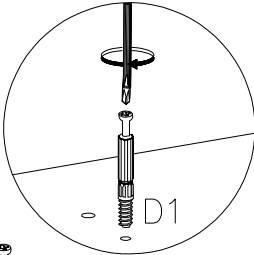
1

4.0x35mm		
	R3	F4
20		10


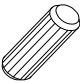


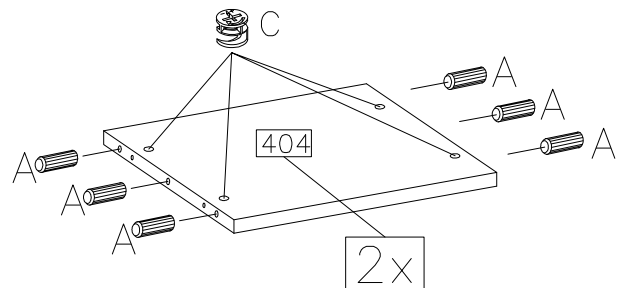
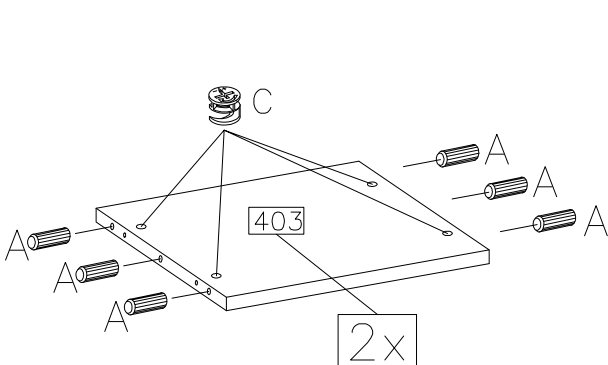
2

	D1
20	


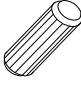







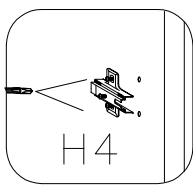
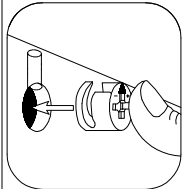
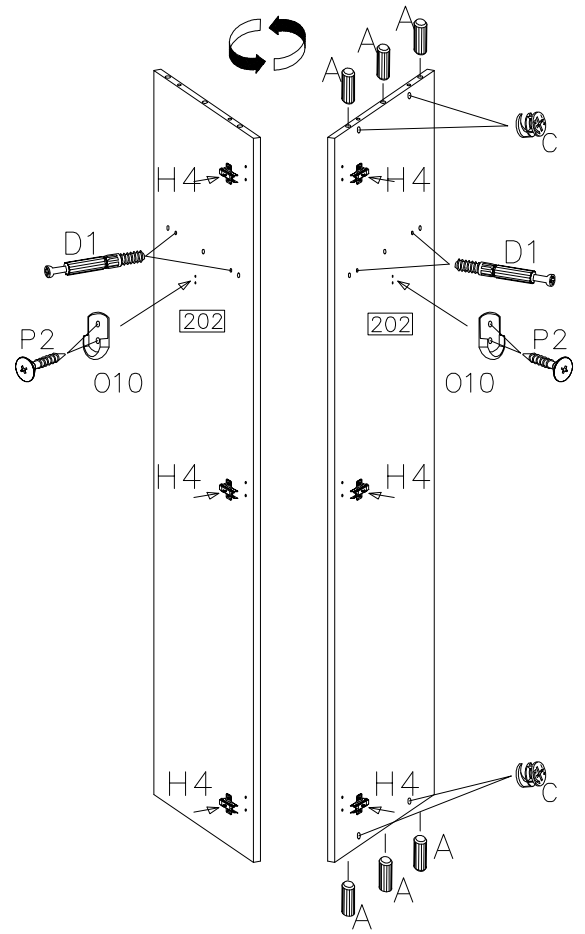
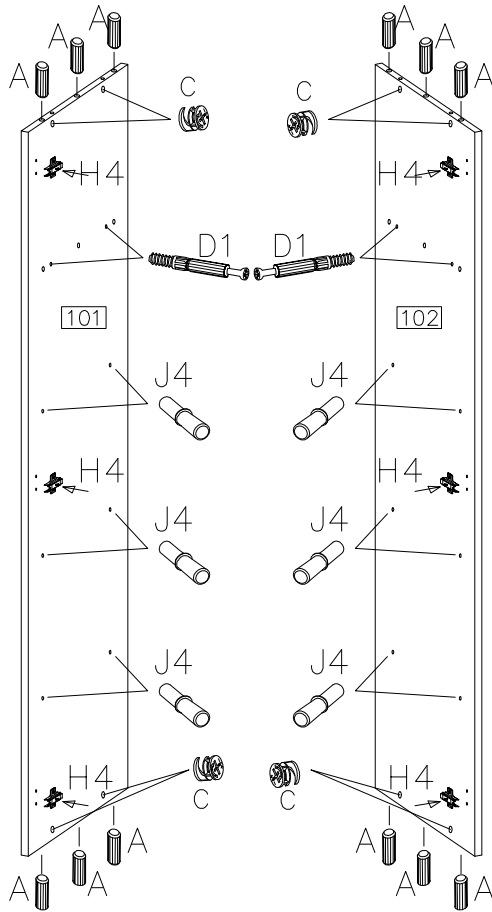
3

	
ø15/12mm	ø8x30mm
C	A
16	24


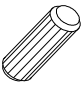






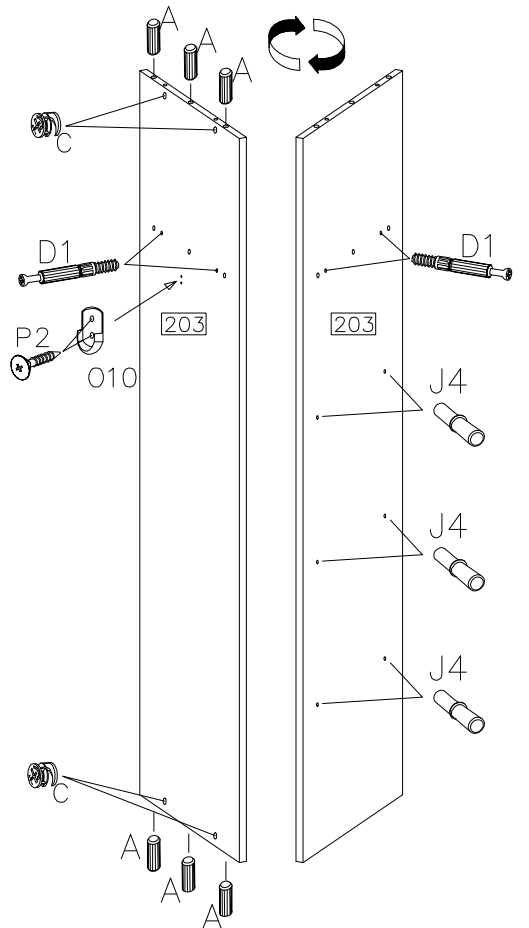
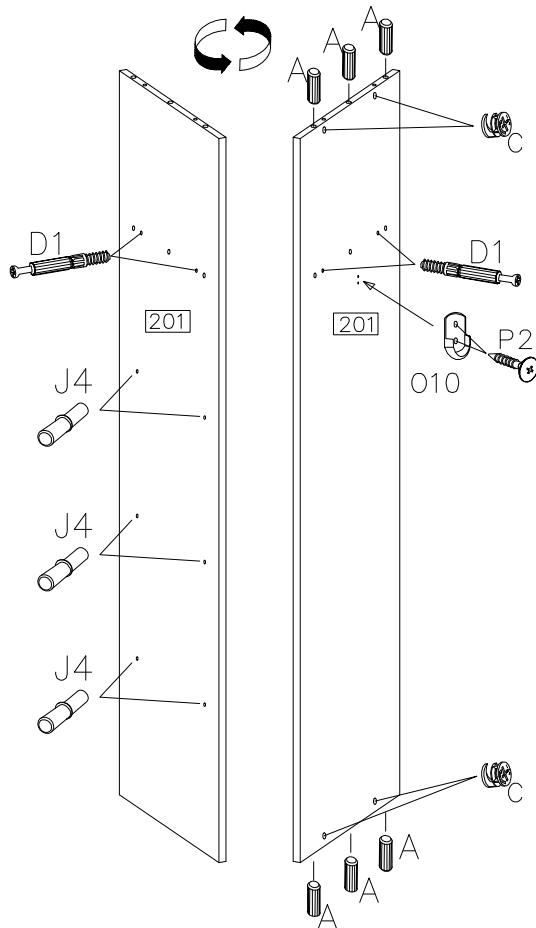
4

 D1	$\varnothing 8 \times 30 \text{mm}$  A
8	18
 H4	 O10
12	2
$3.5 \times 13 \text{mm}$  P2	$\varnothing 15 / 12 \text{mm}$  C
4	12
 J4	
12	

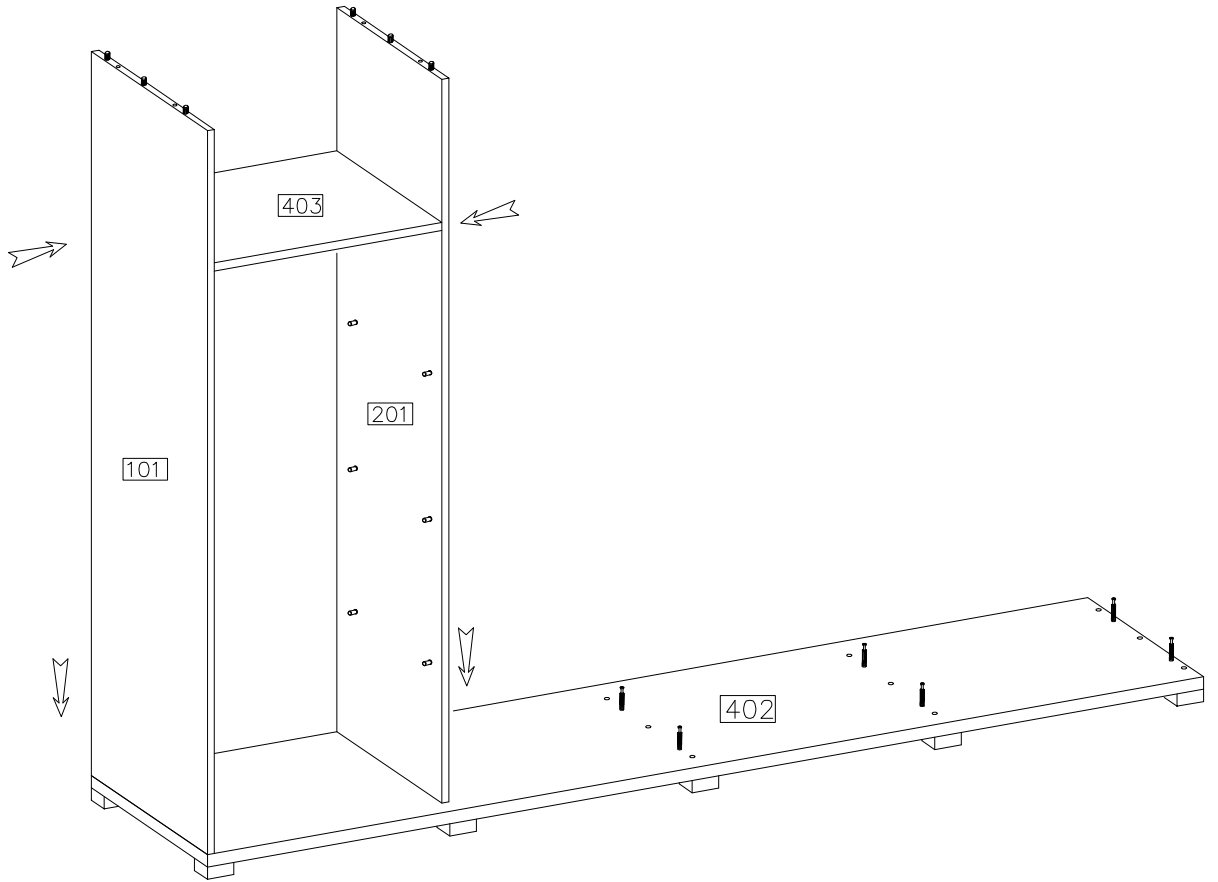
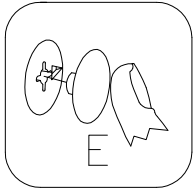
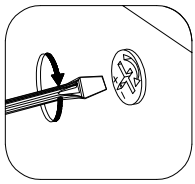
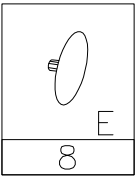


5

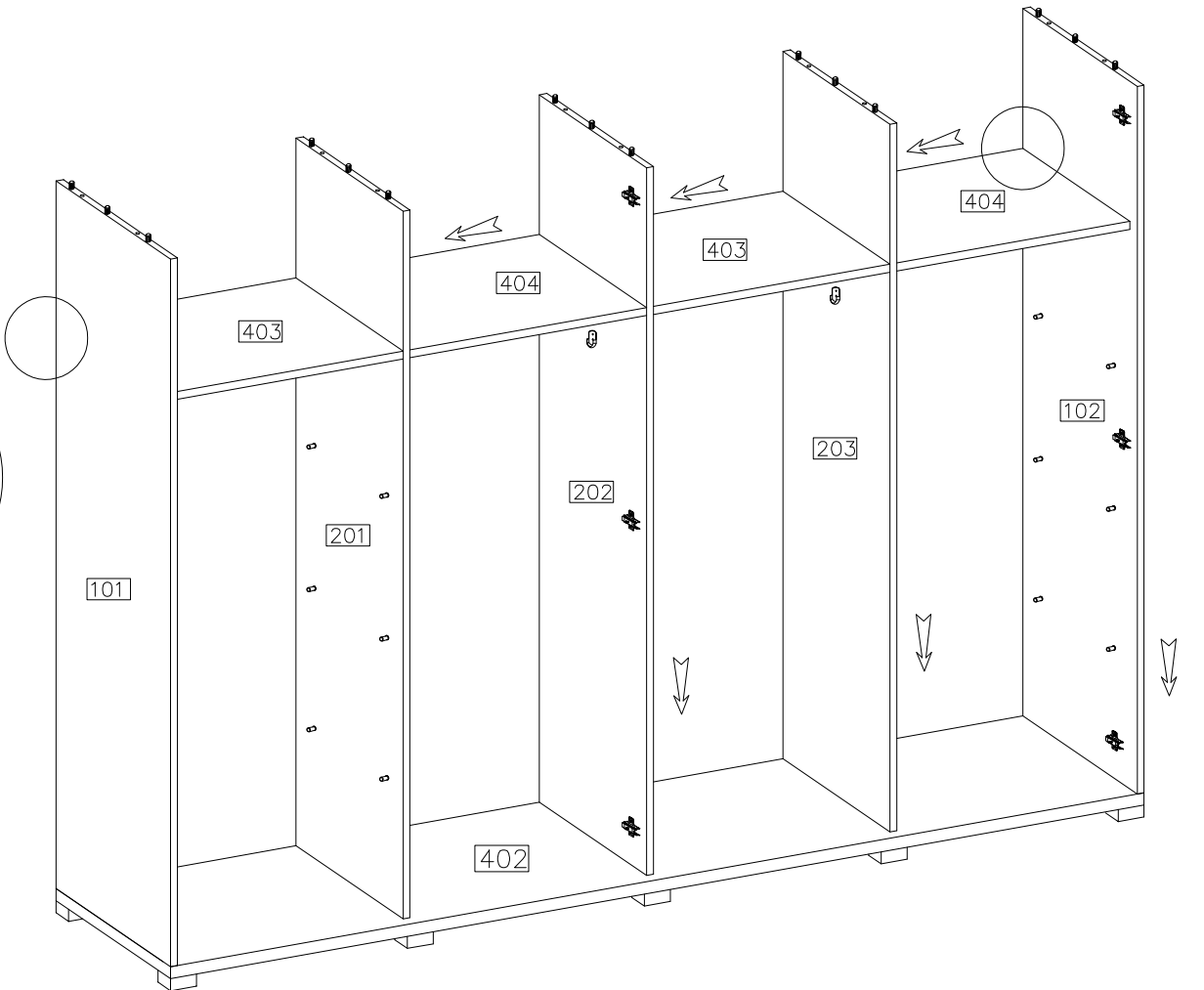
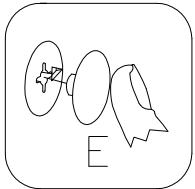
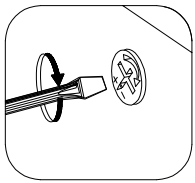
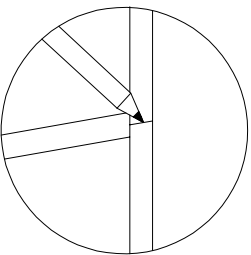
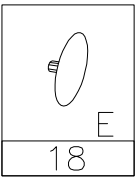
 D1	$\varnothing 8 \times 30 \text{mm}$  A
8	12
$3.5 \times 13 \text{mm}$  P2	 O10
4	2
 J4	$\varnothing 15 / 12 \text{mm}$  C
12	8



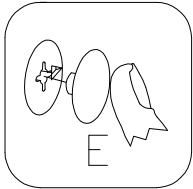
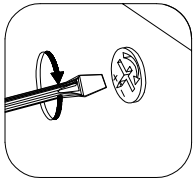
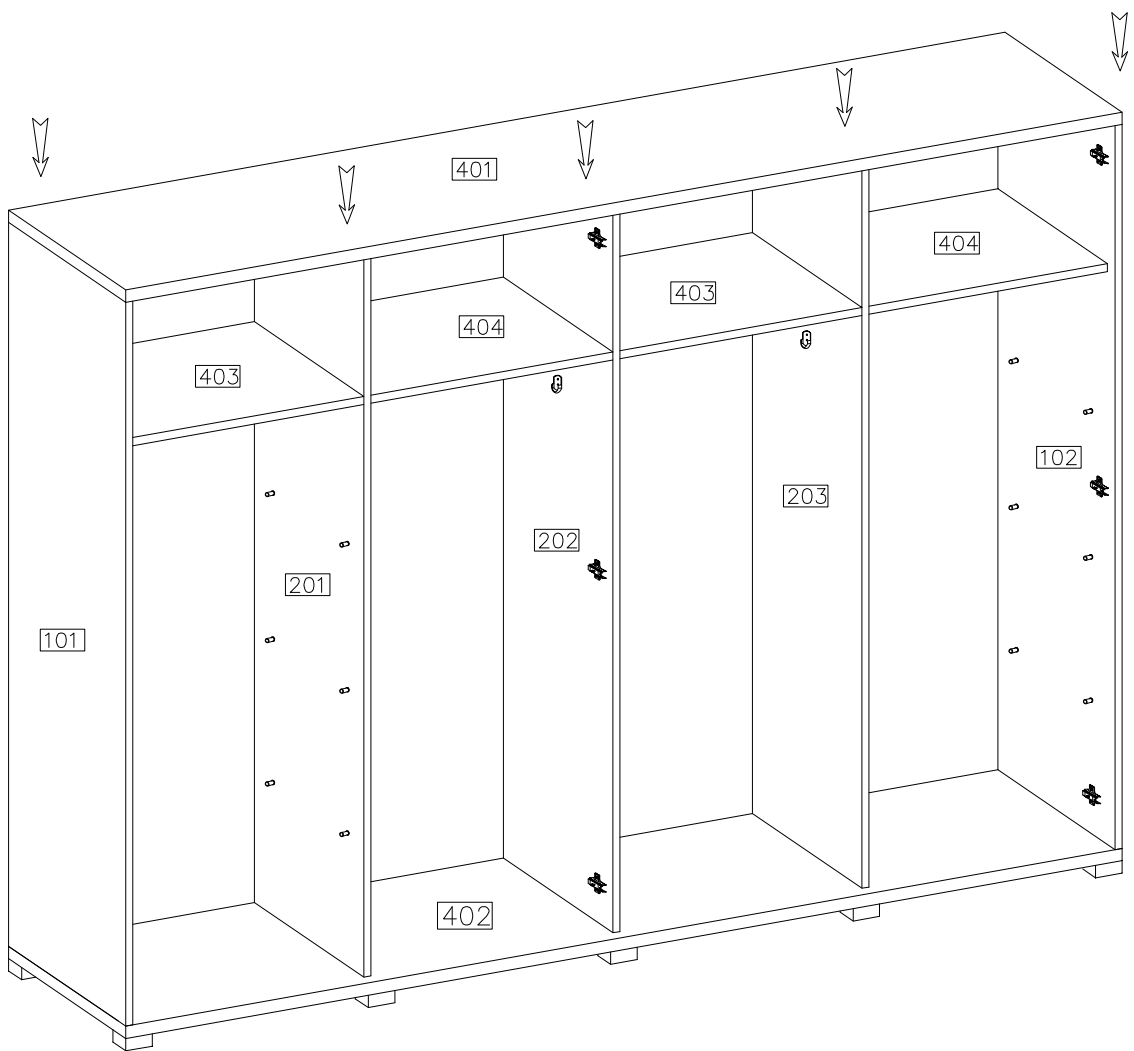
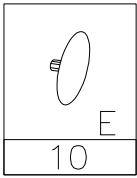
6



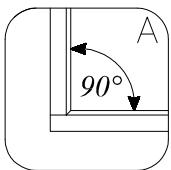
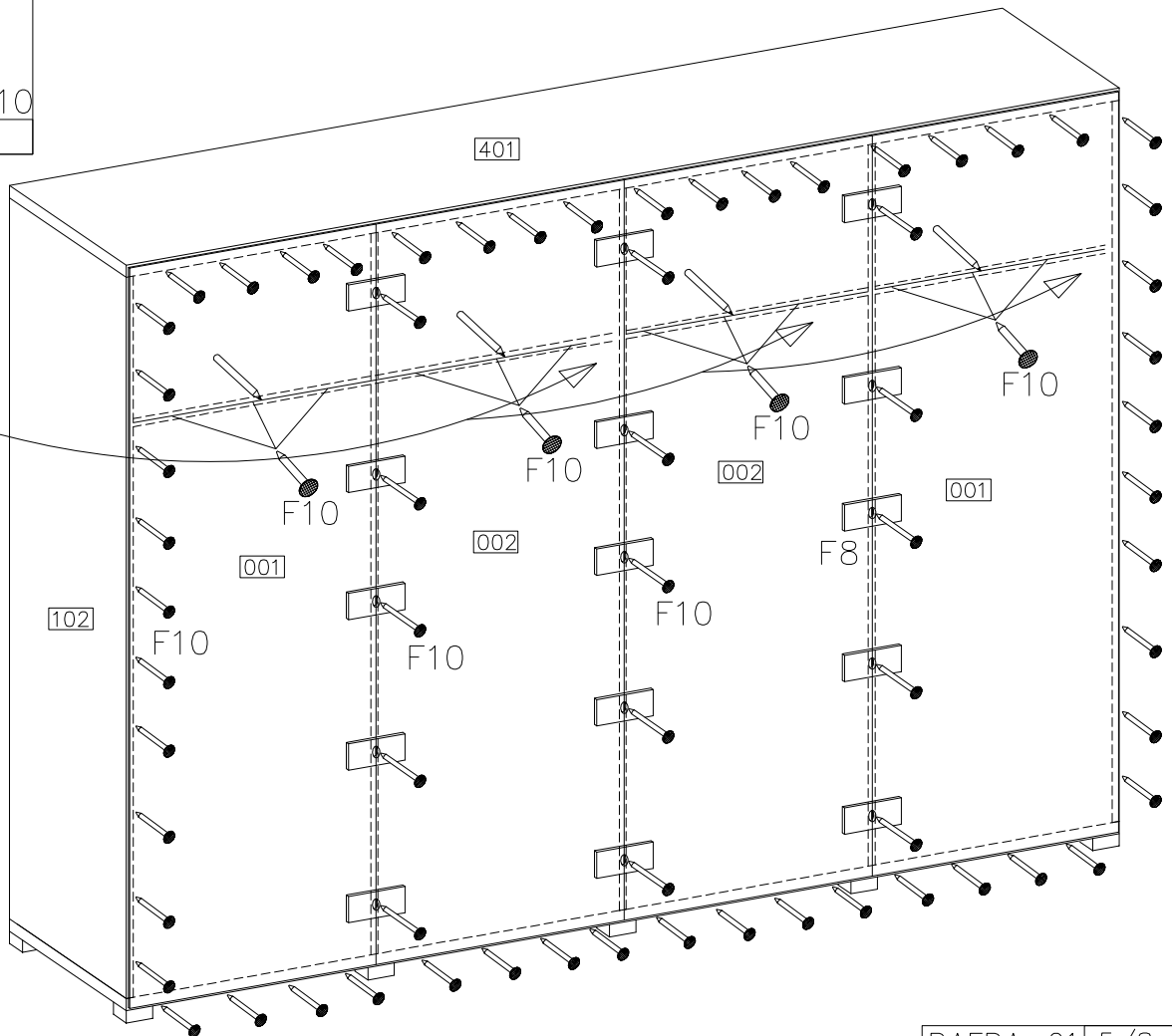
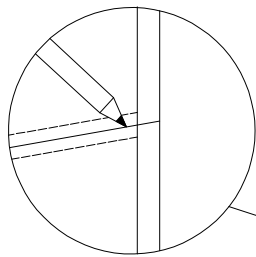
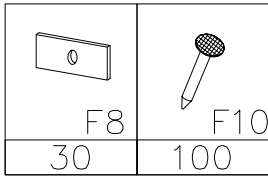
7



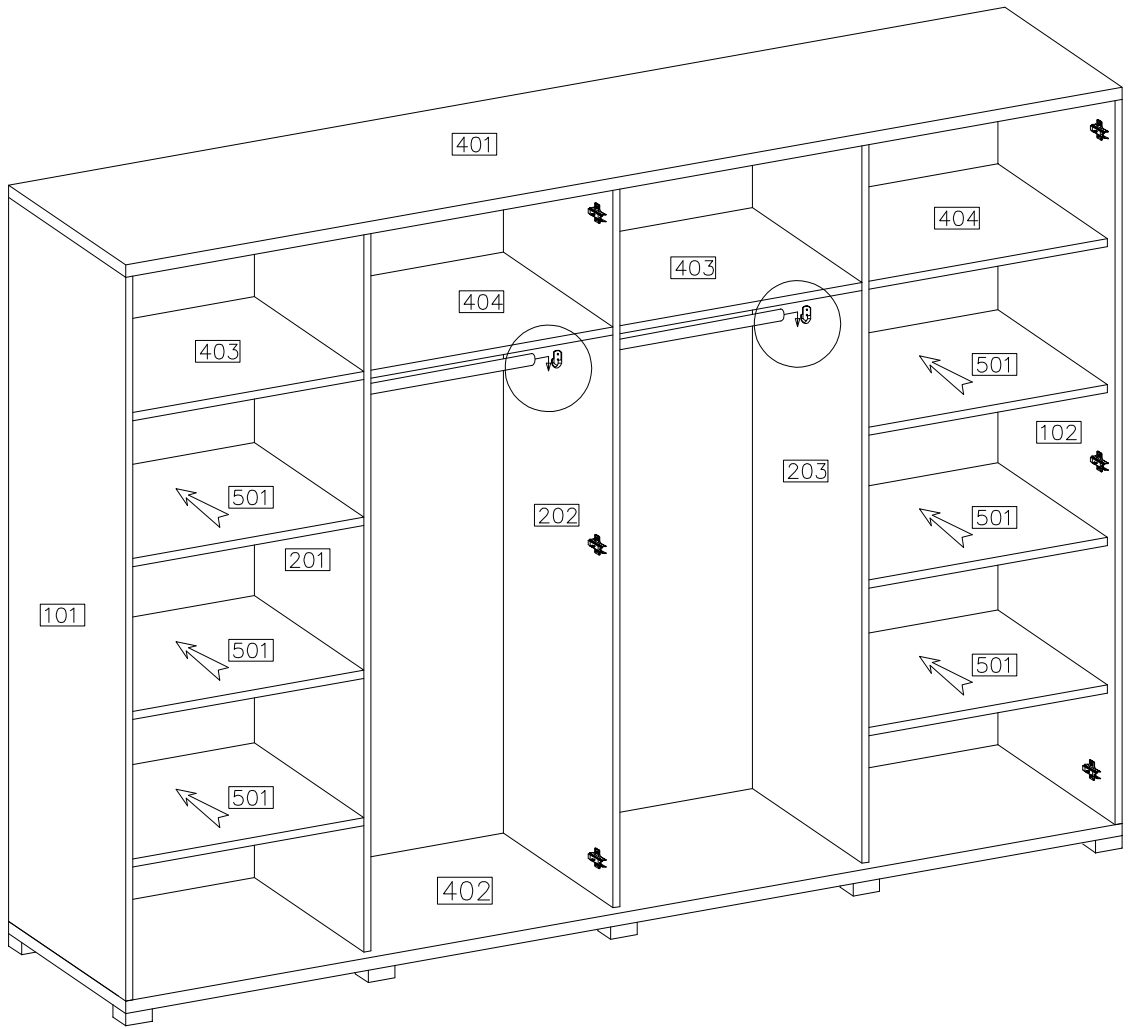
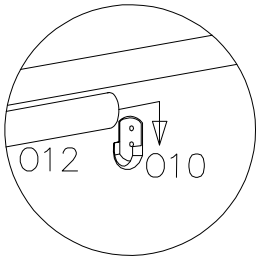
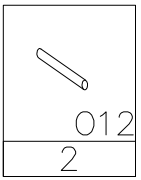
8



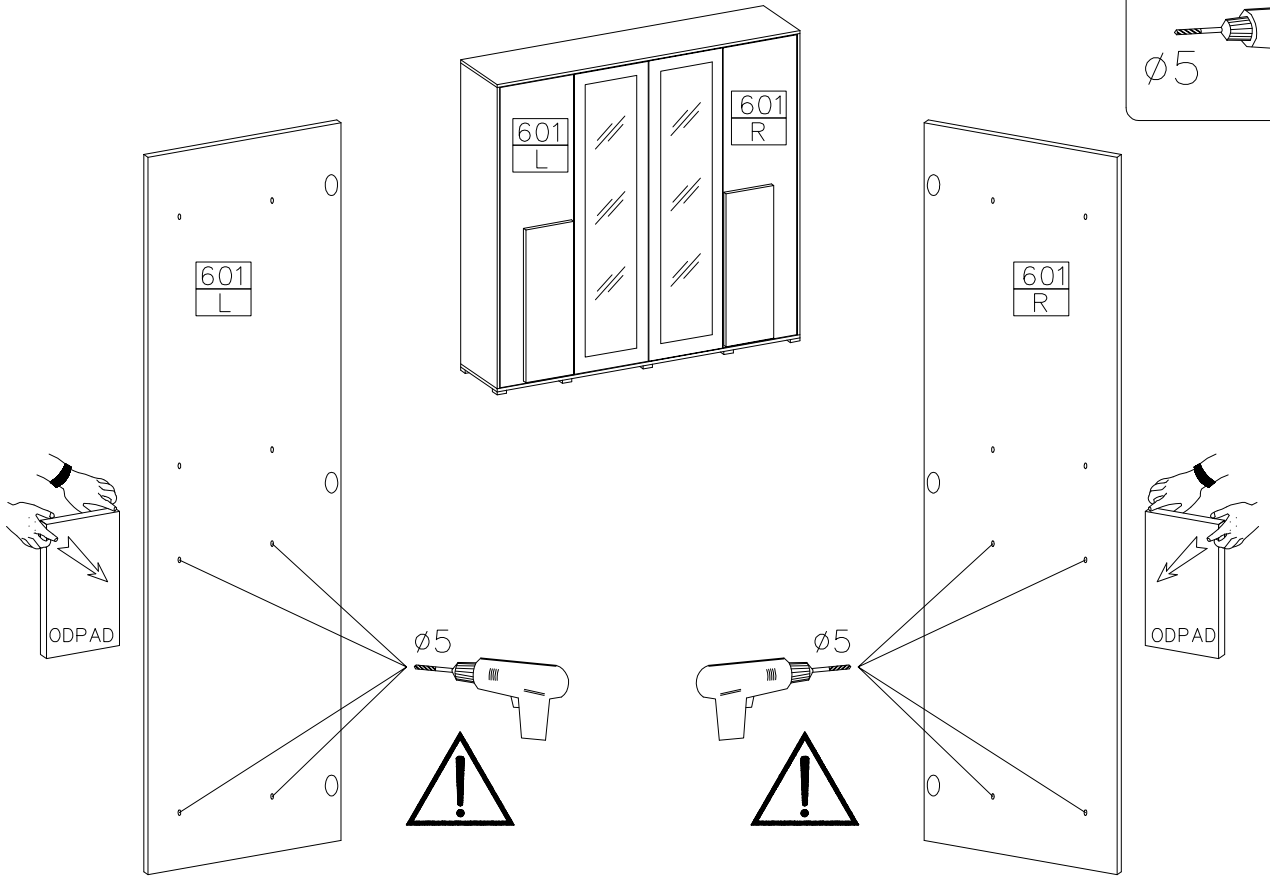
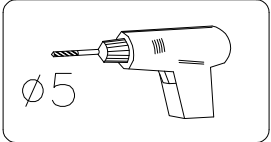
9



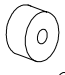
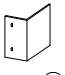



10



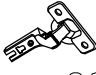
11



<p>Ø4.0x16mm</p>  <p>P1</p> <p>28</p>	<p>4.0x40mm</p>  <p>R2</p> <p>8</p>	<p>11mm</p>  <p>C2</p> <p>8</p>	 <p>S1</p> <p>2</p>
--	--	--	--

<p>Ø35/KR-15</p>  <p>G7</p> <p>6</p>
--



<p>Ø35/KR-8</p>  <p>G8</p> <p>6</p>
--

