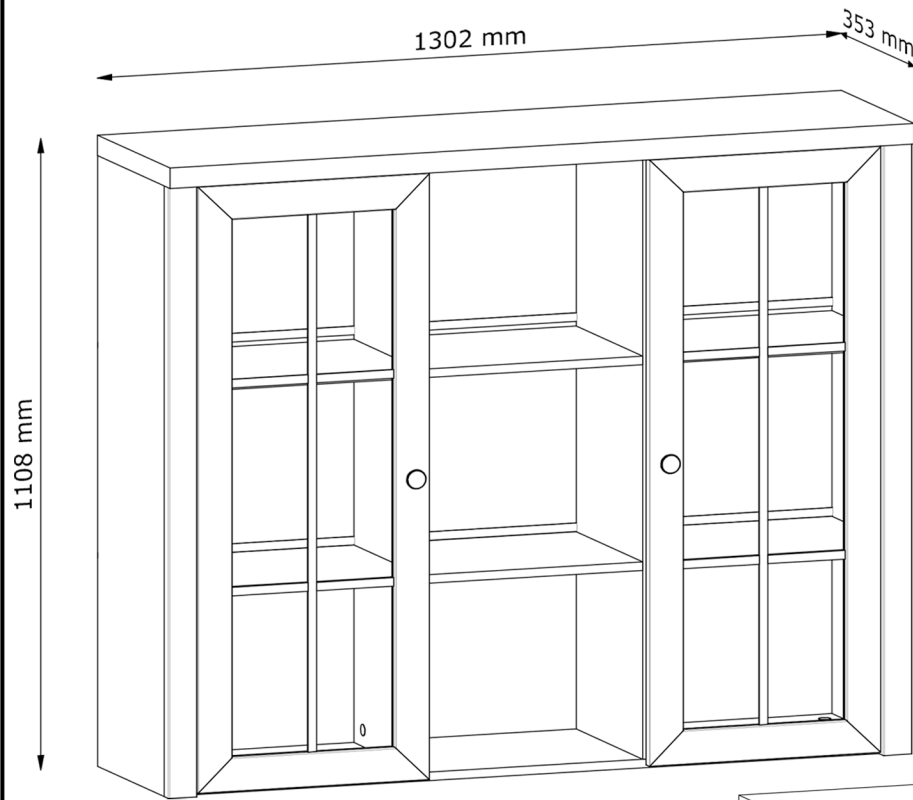
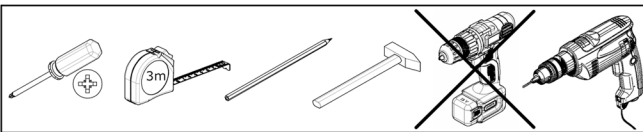
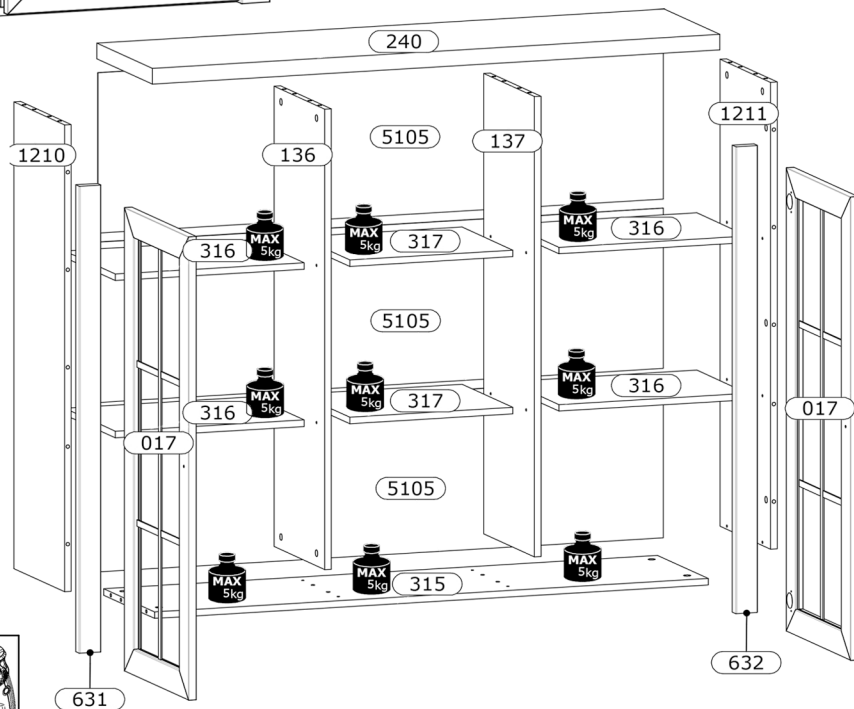


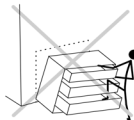
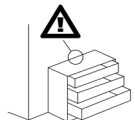
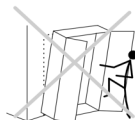
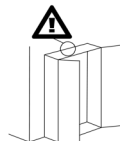
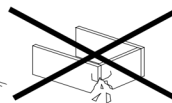
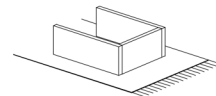
W2D SA



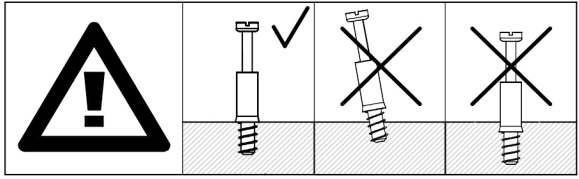
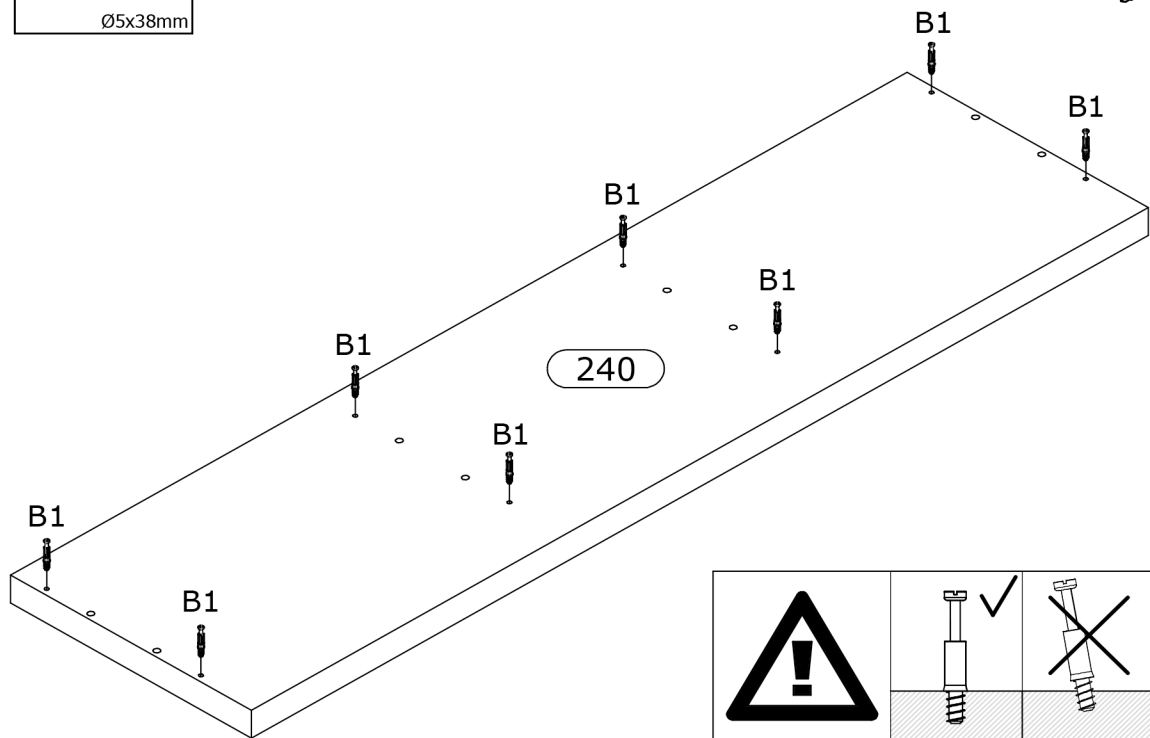
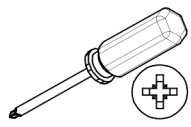
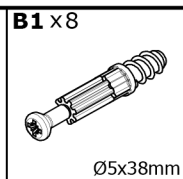
No	L[mm]	W[mm]	H[mm]	PCS	BOX
017	1064	405	18	2	2/2
1210	1072	320	15	1	1/2
1211	1072	320	15	1	1/2
136	1057	320	15	1	1/2
137	1057	320	15	1	1/2
240	1302	350	36	1	1/2
315	1270	320	15	1	1/2
316	433	320	15	4	1/2
317	374	320	15	2	1/2
5105	368	1297	2,5	3	1/2
631	1072	50	22	1	1/2
632	1072	50	22	1	1/2



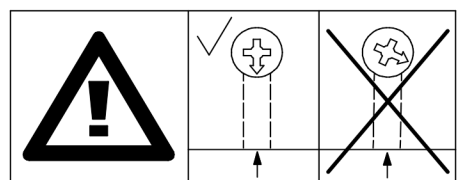
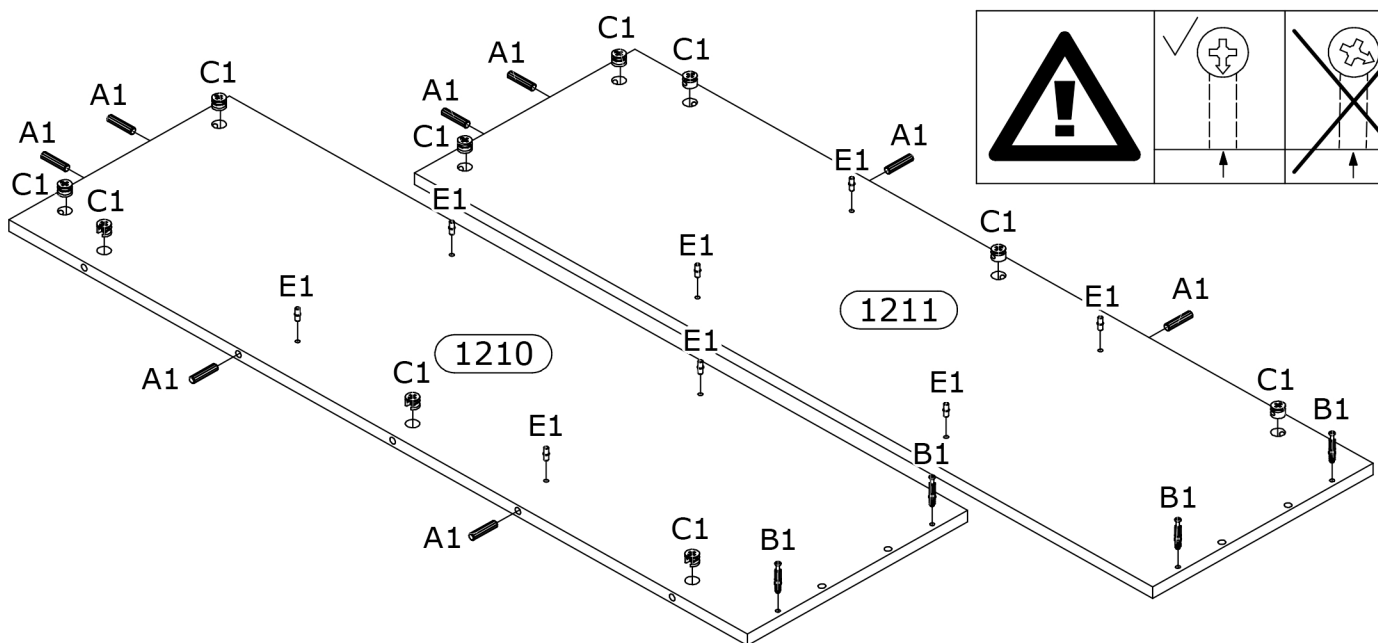
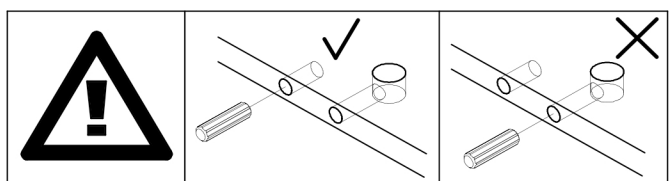
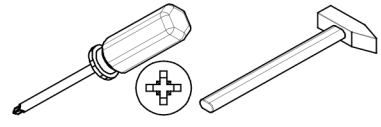
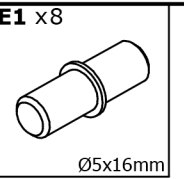
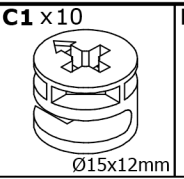
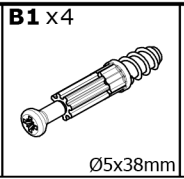
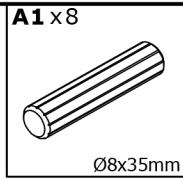
A1 × 20 Ø8x35mm	B1 × 22 Ø5x38mm	C1 × 22 Ø15x12mm	E1 × 24 Ø5x16mm	G1 × 54 26mm
H × 2 1297 mm	J1 × 22 Ø21mm	T3 × 2 50x9mm	T4 × 2 75x28x16 mm	U1 × 2 Ø33mm
W2 × 16 Ø3,5x16mm	X4 × 2 M4x25mm	Y1 × 4 Ø8x1,5mm	Z6 × 4 Ø35mm, 90°	



1

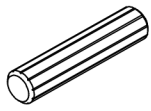


2



3

A1 x4



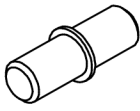
Ø8x35mm

C1 x4

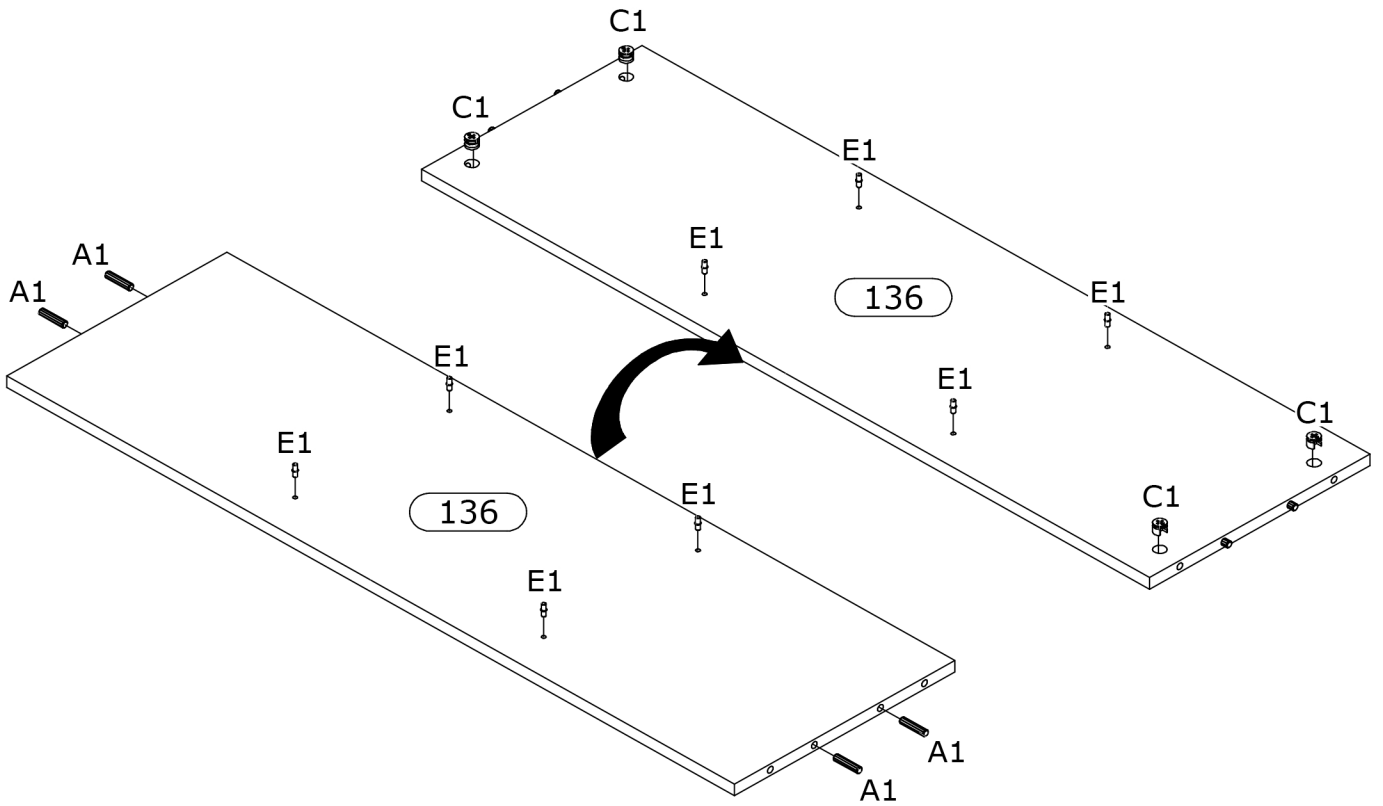
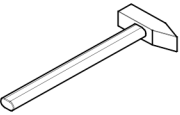


Ø15x12mm

E1 x8

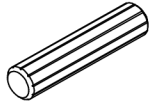


Ø5x16mm



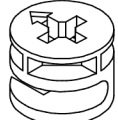
4

A1 x4



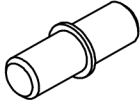
Ø8x35mm

C1 x4

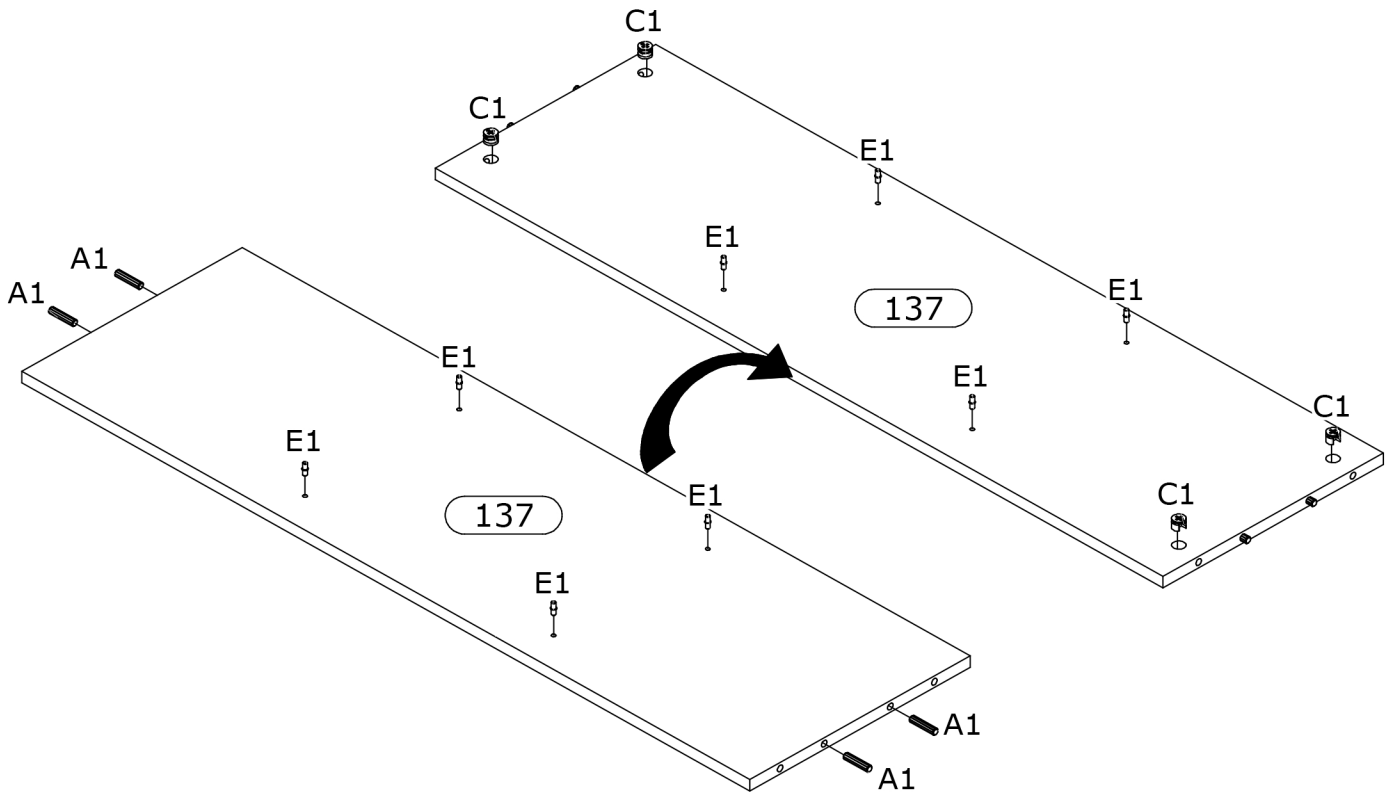
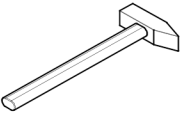


Ø15x12mm

E1 x8

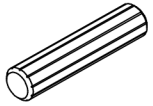


Ø5x16mm



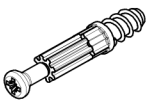
5

A1 x4



Ø8x35mm

B1 x4

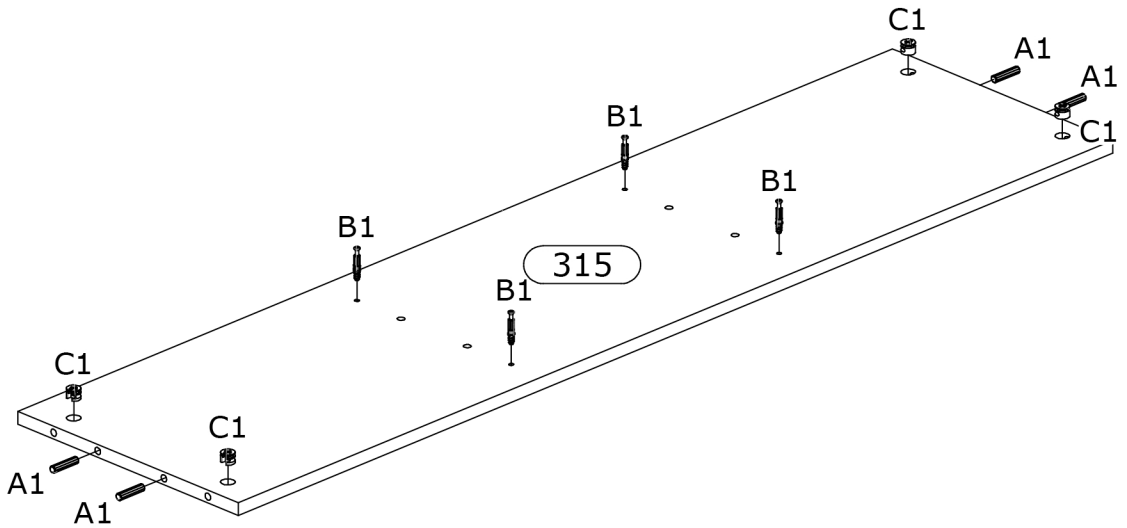
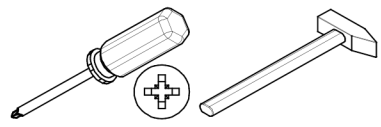


Ø5x38mm

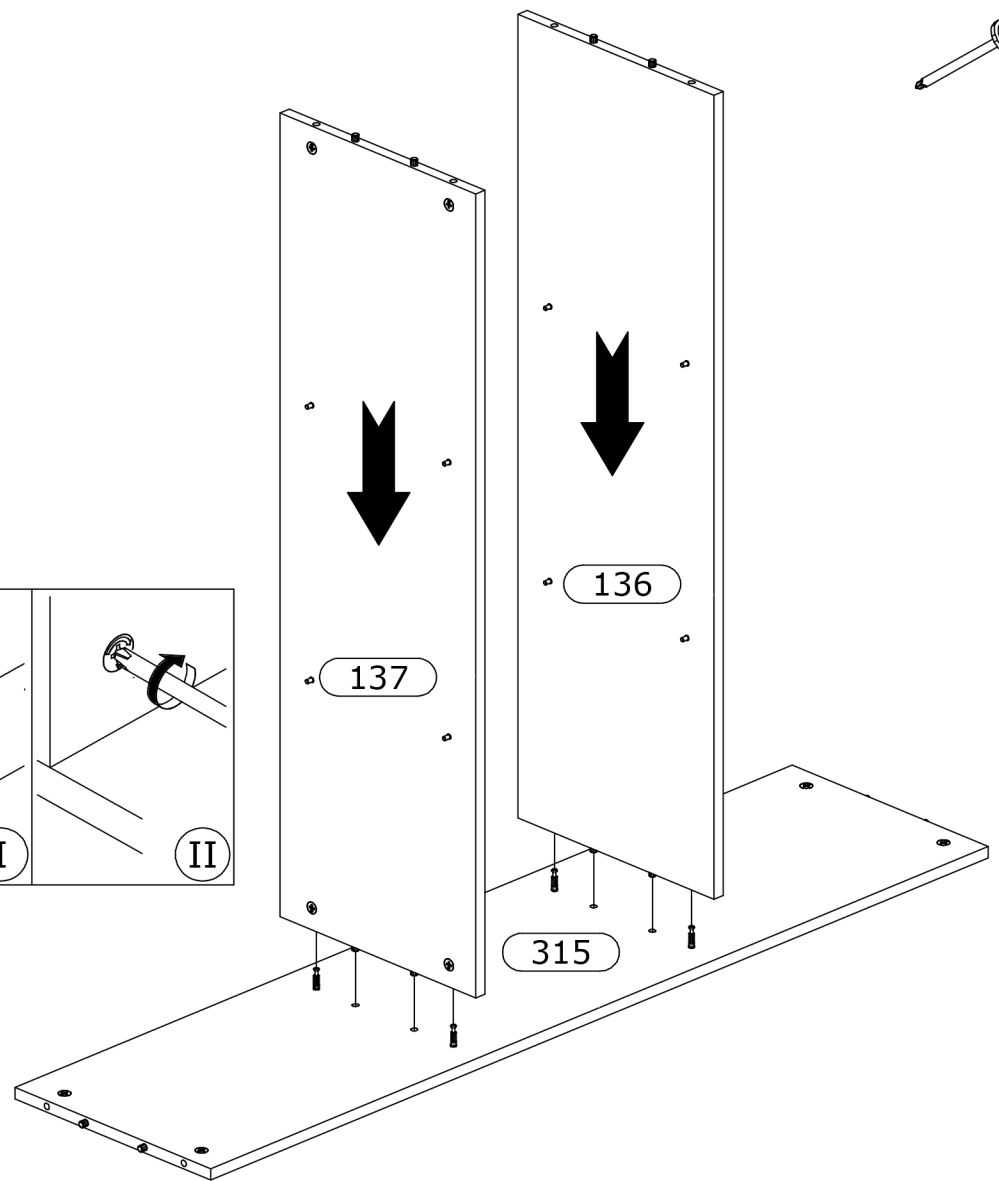
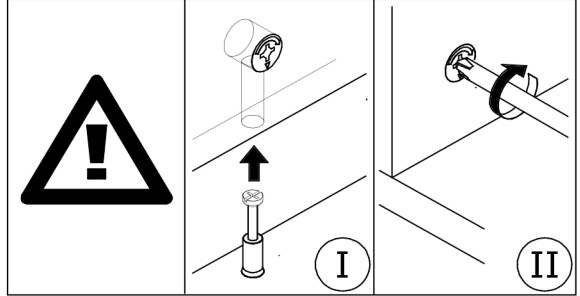
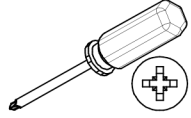
C1 x4



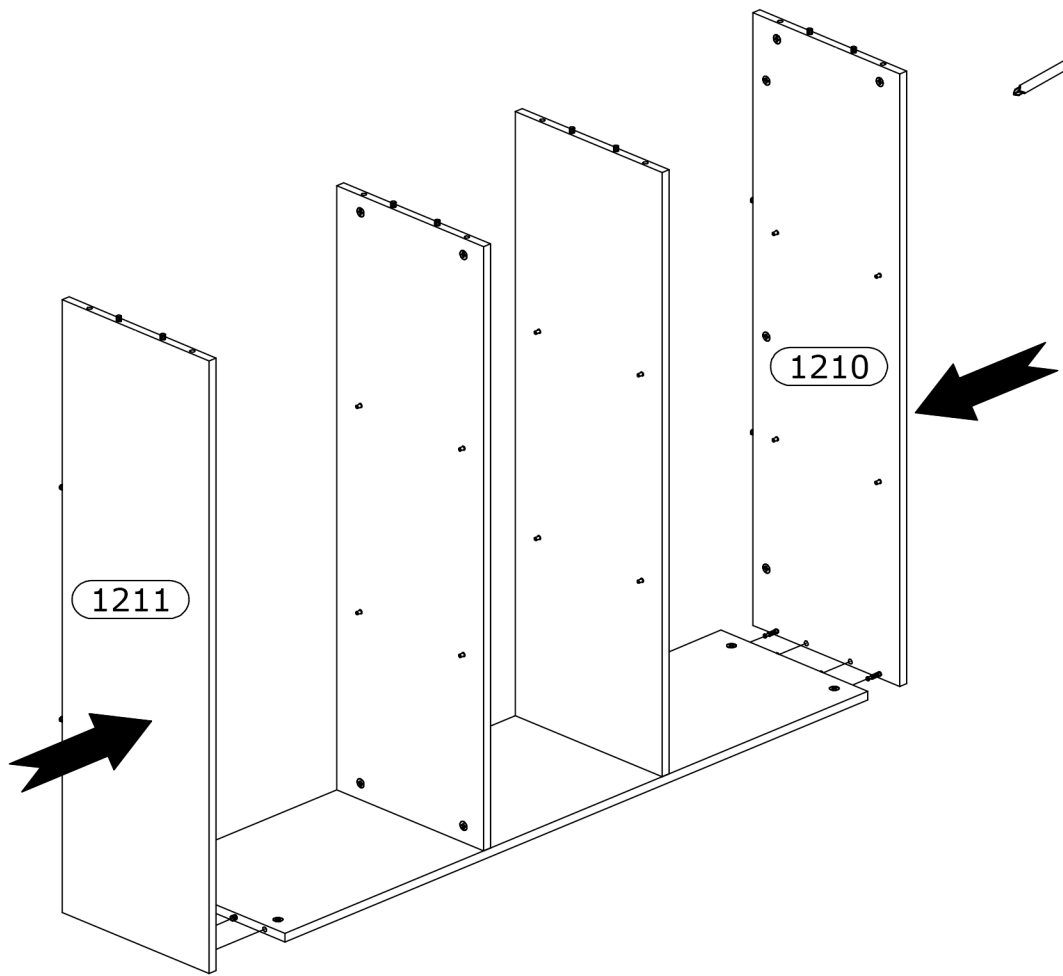
Ø15x12mm



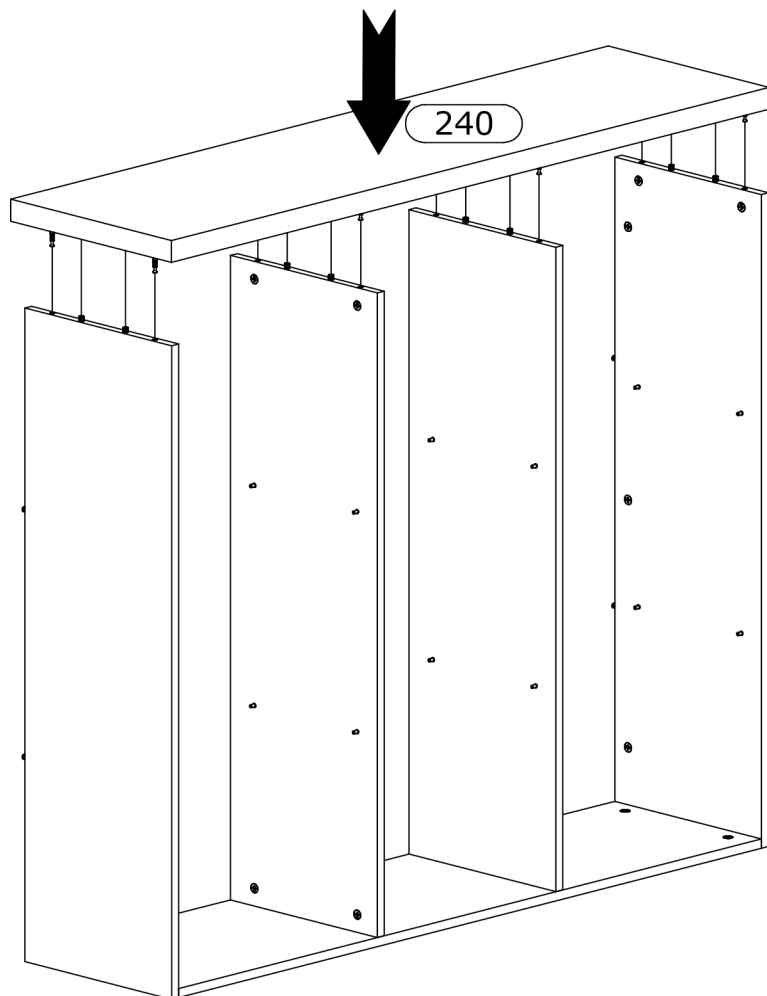
6



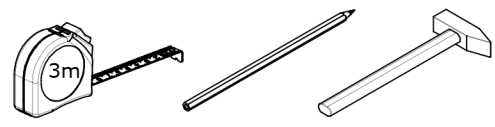
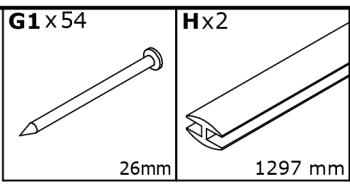
7



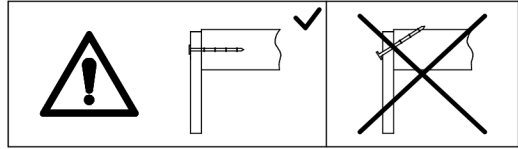
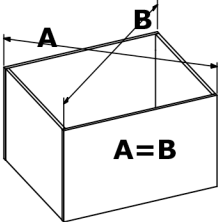
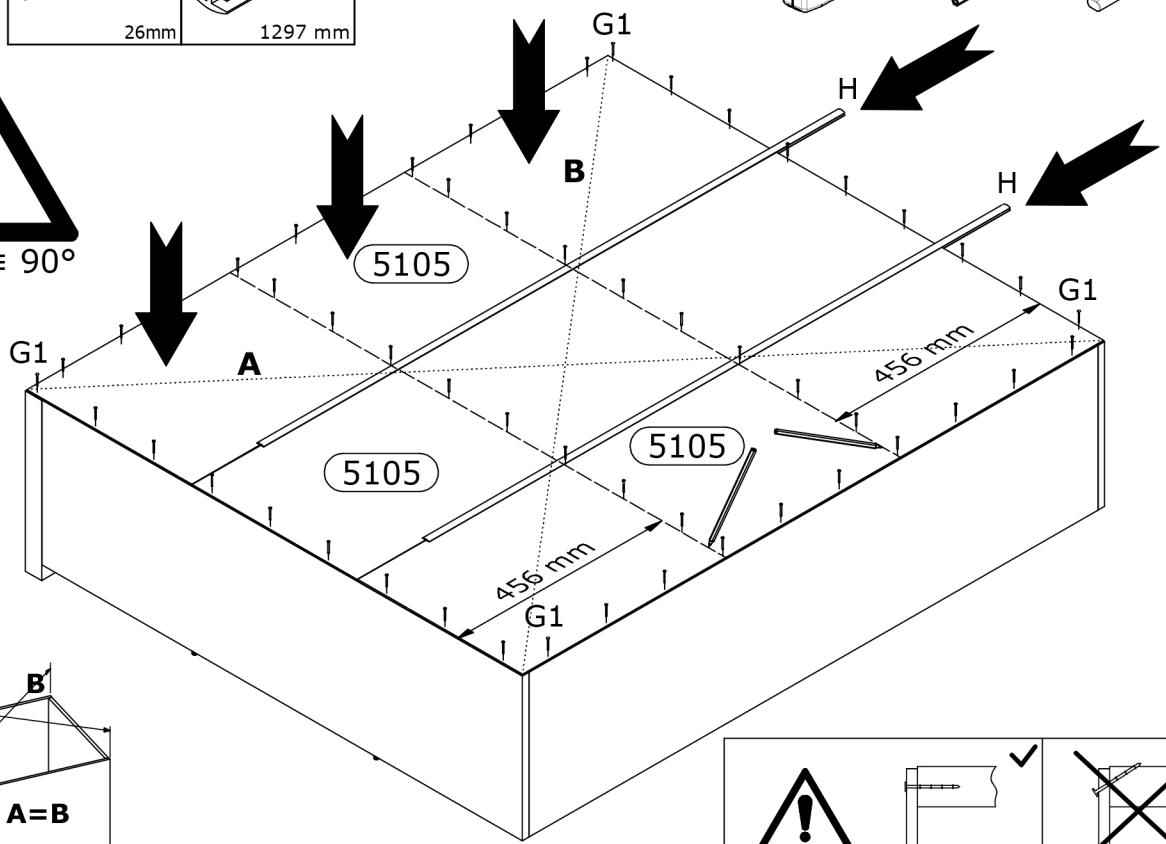
8



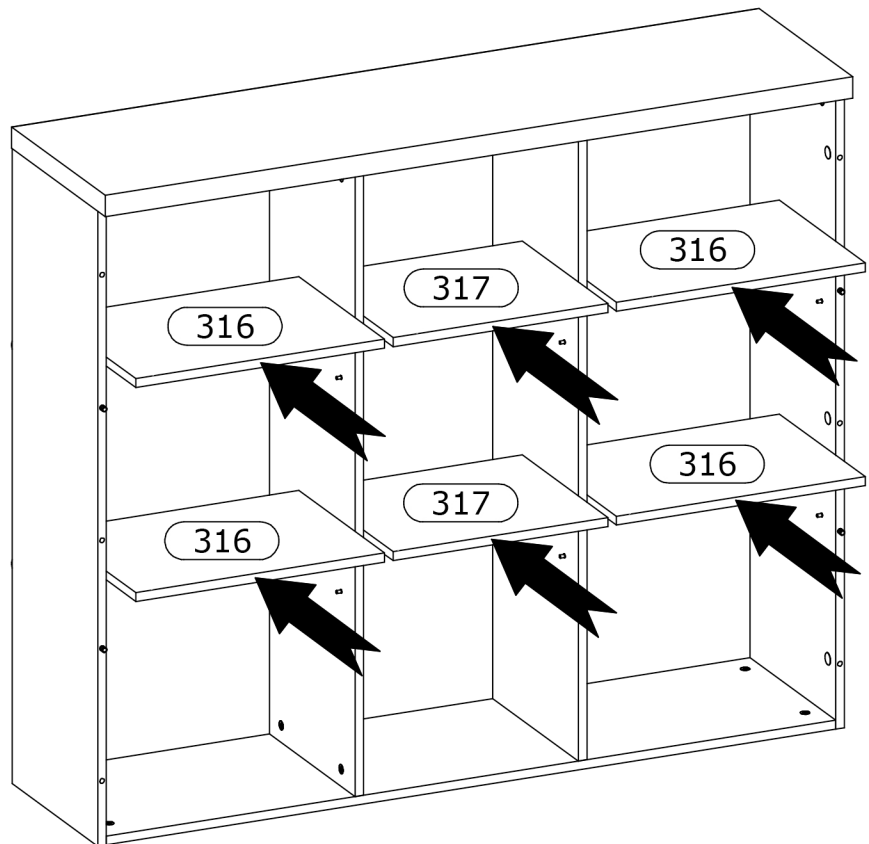
9



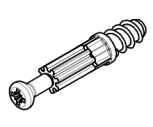
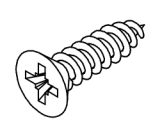
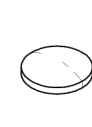
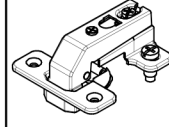
A=B ≡ 90°

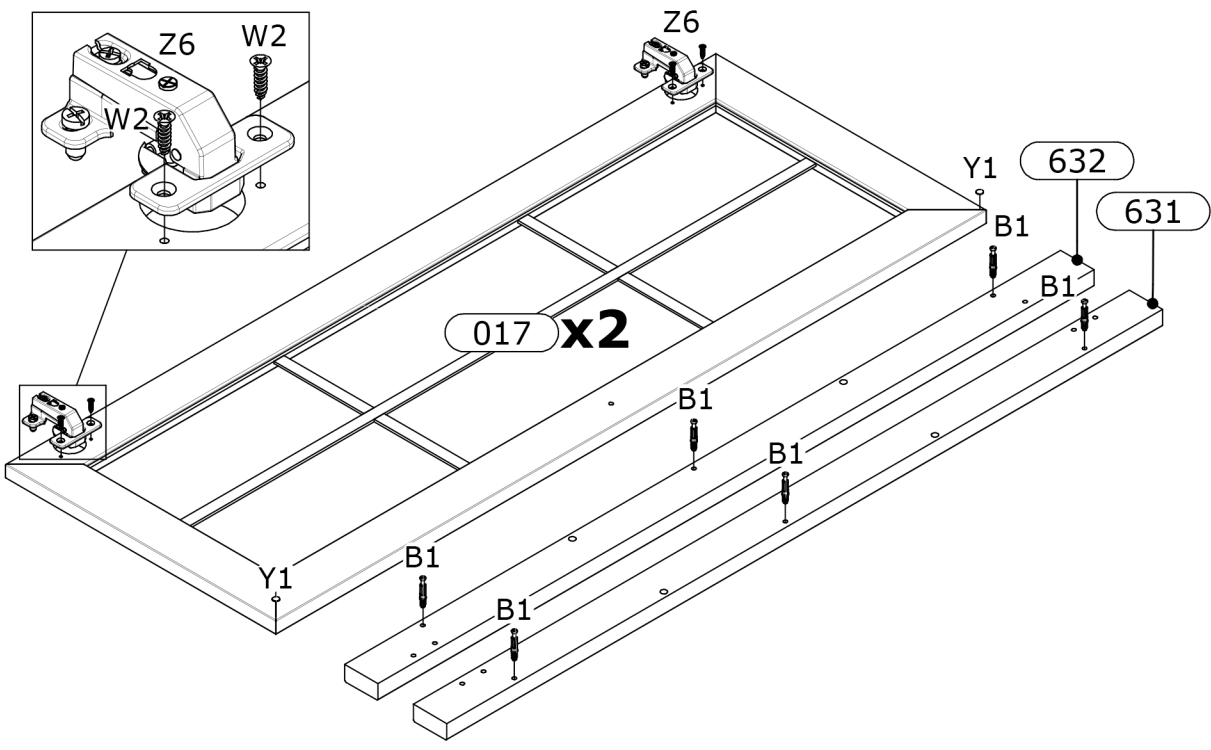
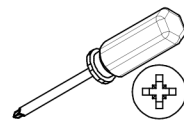


10

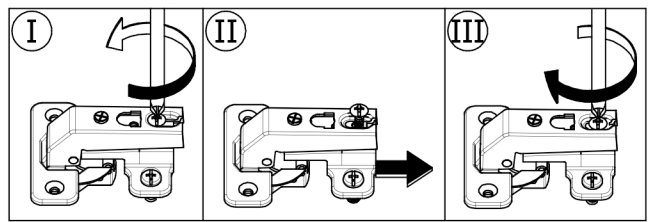
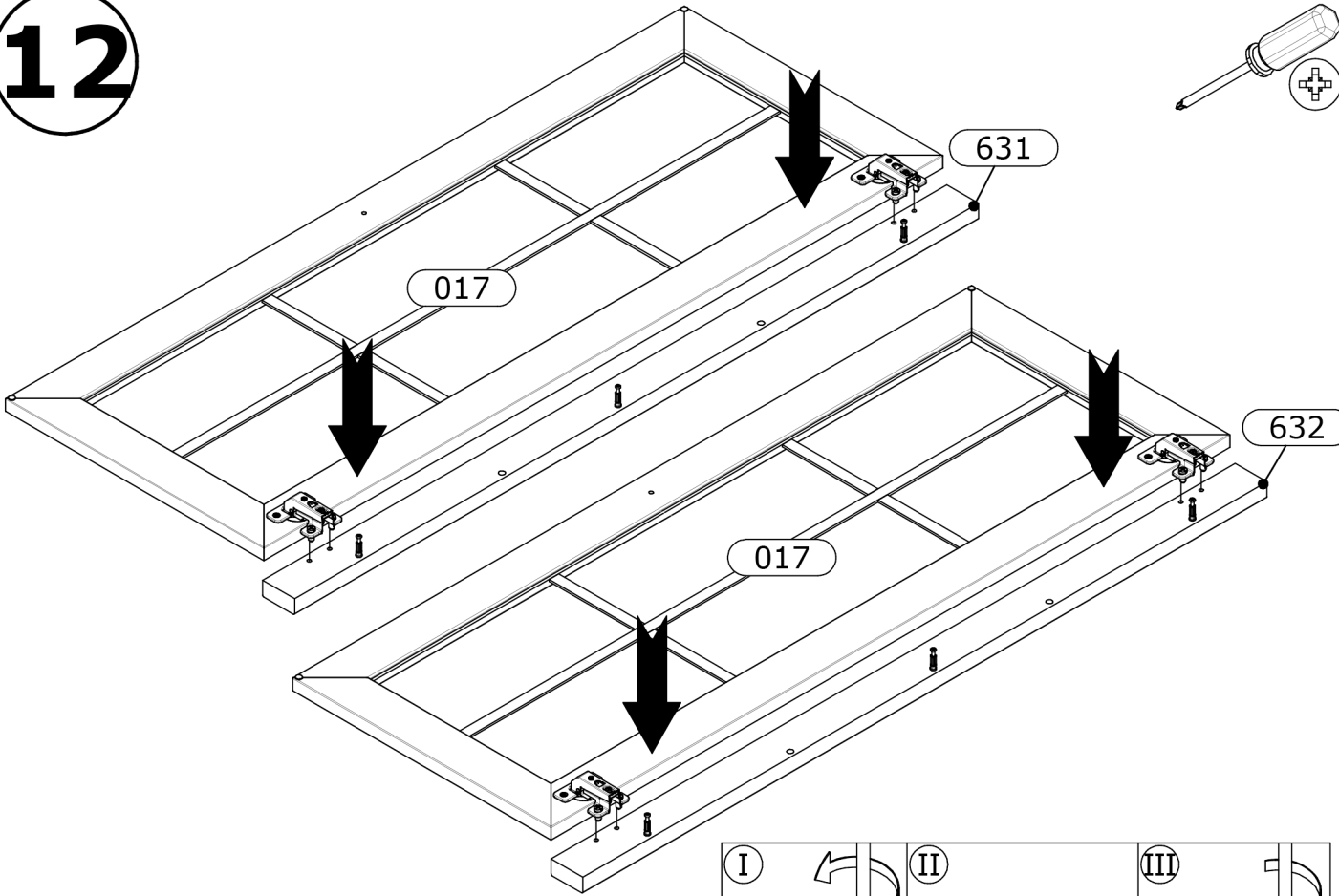
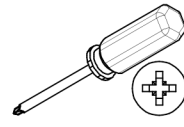


11

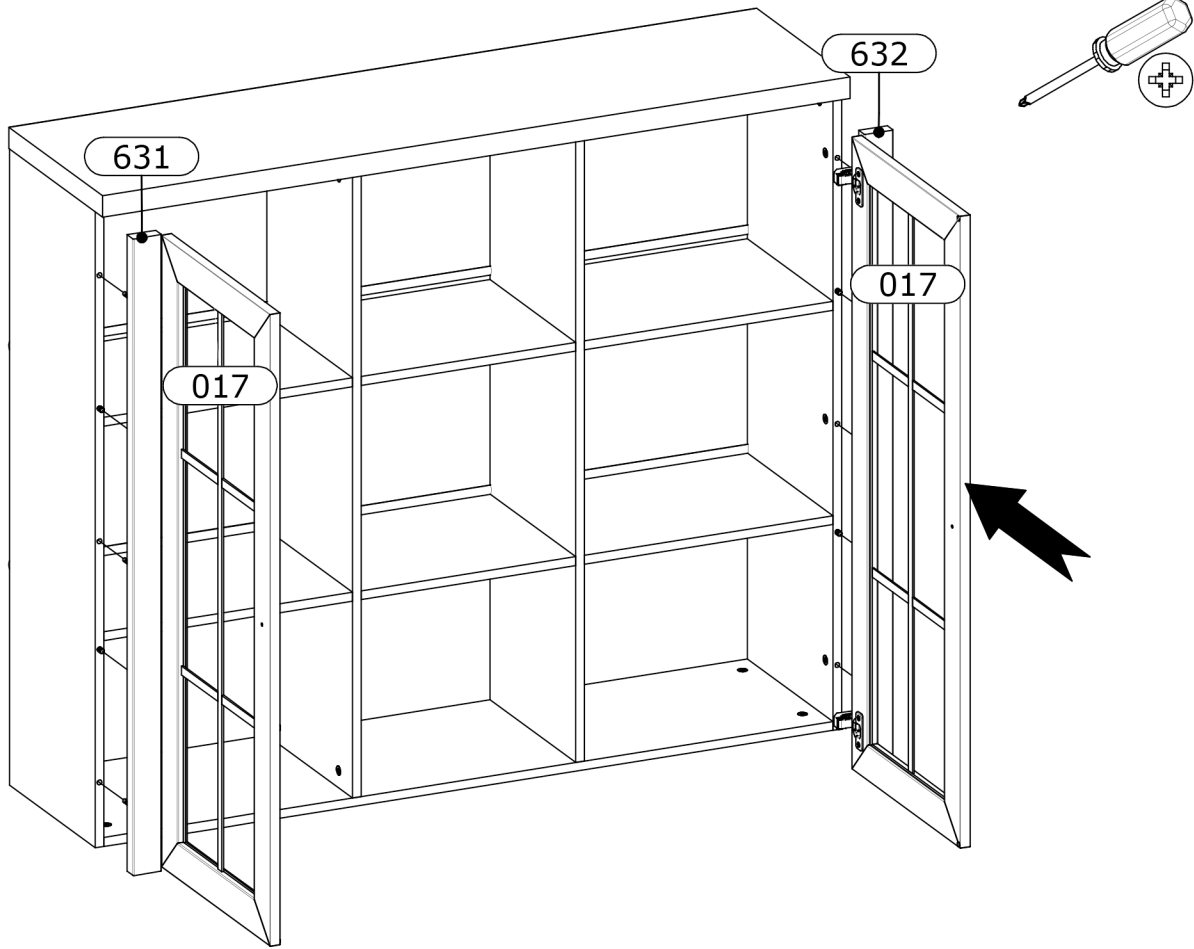
- B1** x6  Ø5x38mm
- W2** x8  Ø3,5x16mm
- Y1** x4  Ø8x1,5mm
- Z6** x4  Ø35mm, 90°





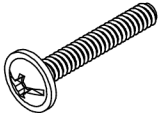
12

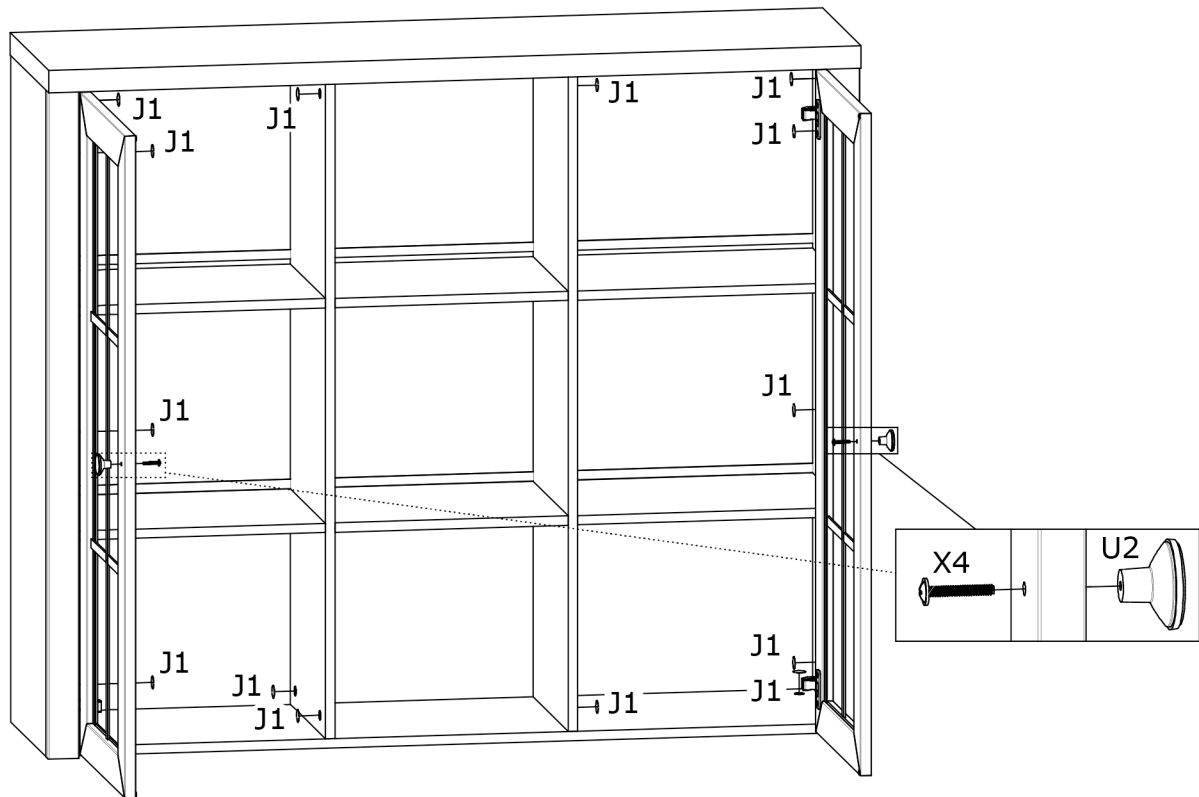


13



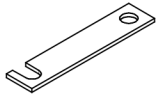
14

- J1** x22

 Ø21mm
- U1** x2

 Ø33mm
- X4** x2

 M4x25mm



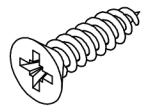
15

T3 x 2

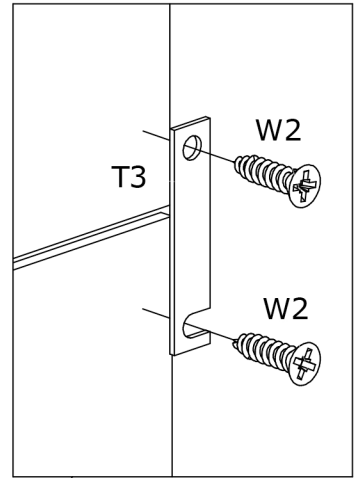
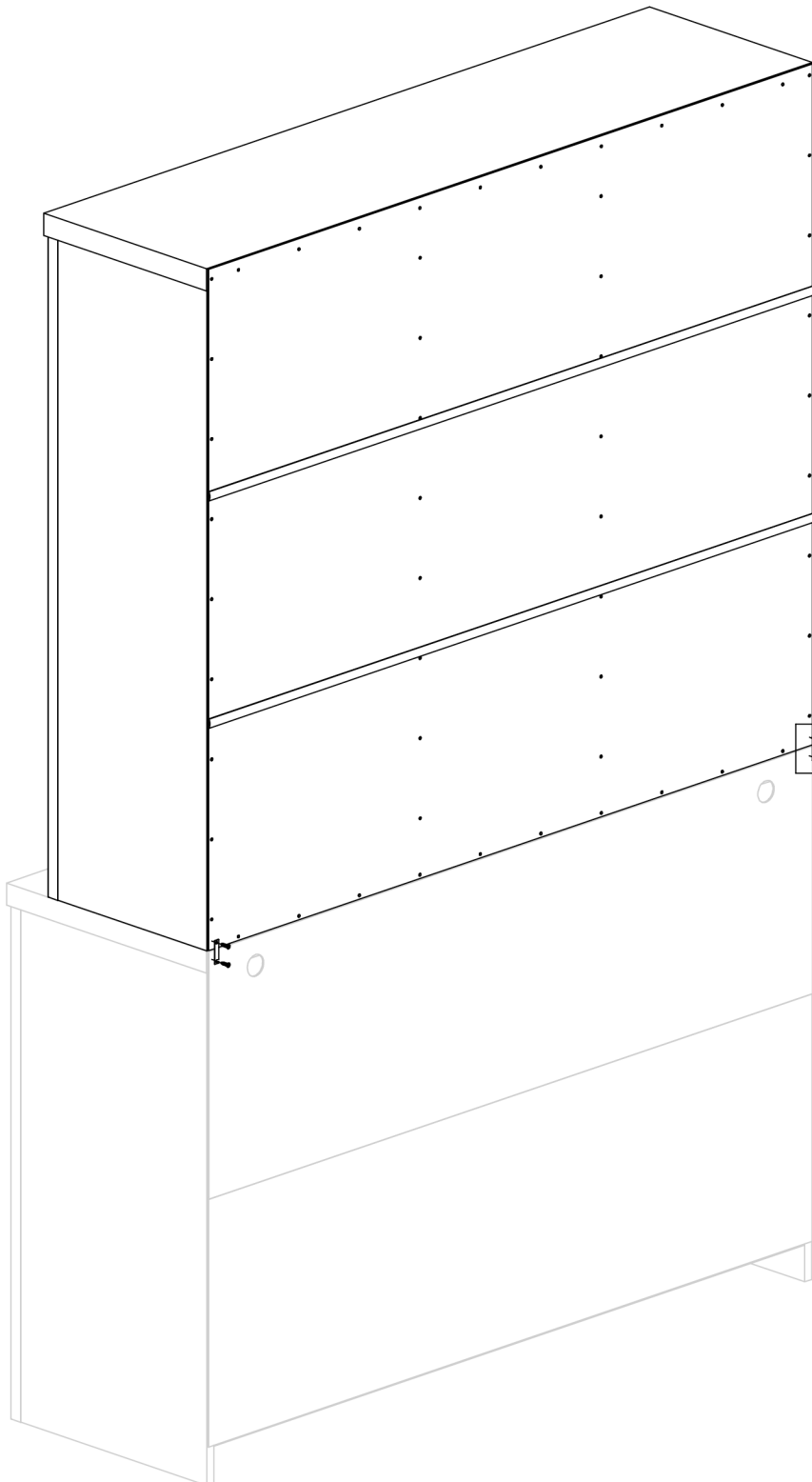
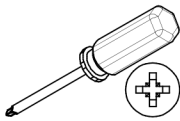


50x9mm

W2 x 4

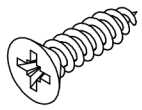


Ø3,5x16mm



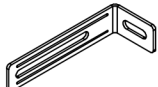
16

W2 x 4



Ø3,5x16mm

T4 x 2



75x28x16 mm

