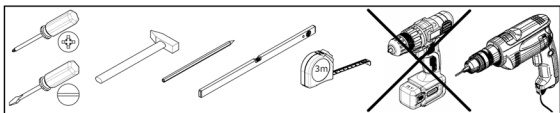
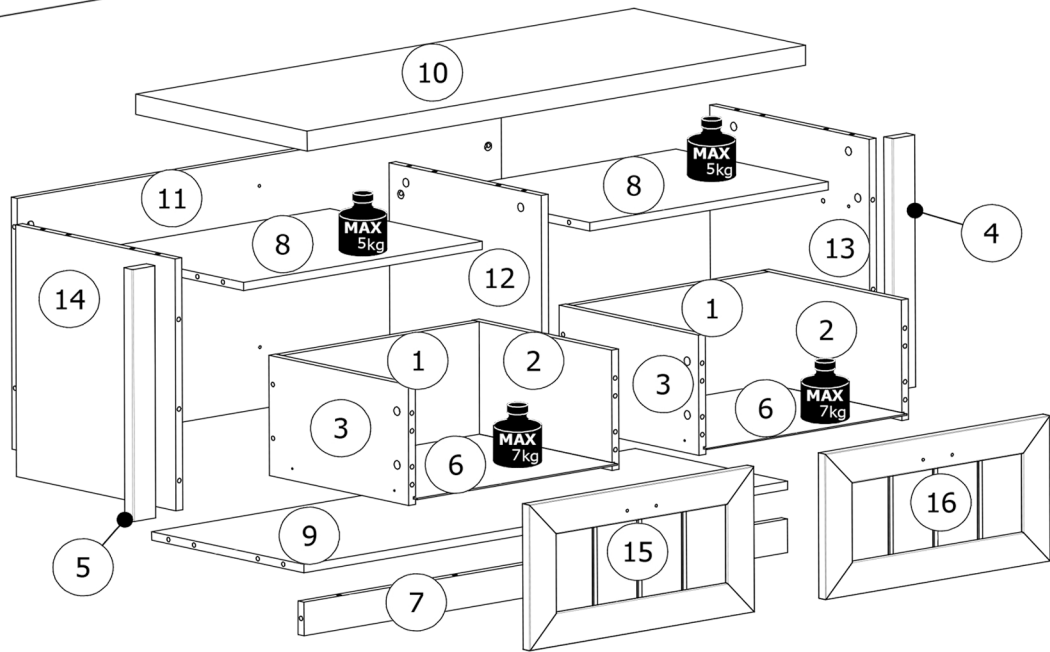
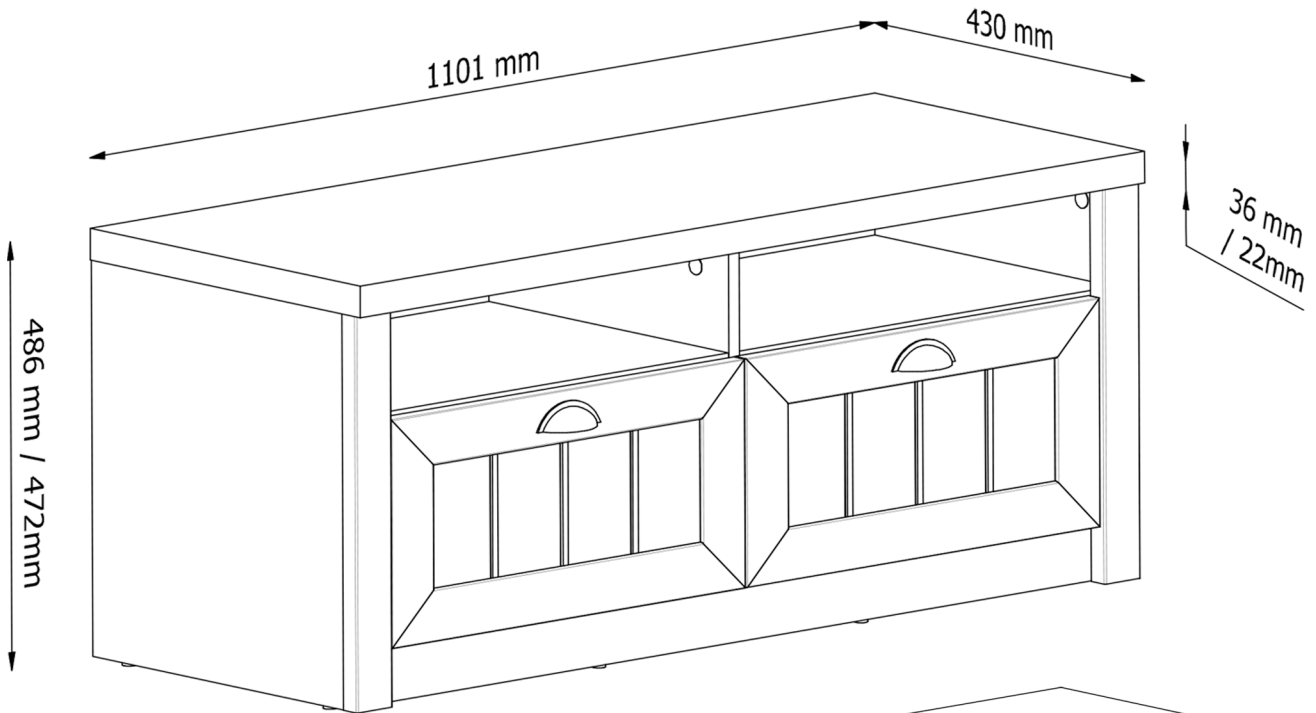
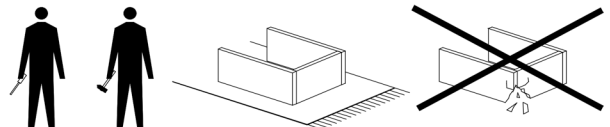


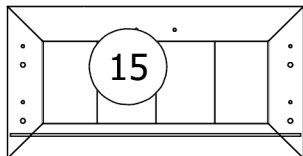
LWK



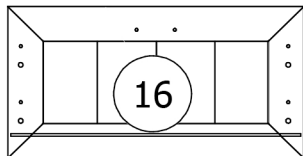
A1 x40 Ø8x35mm	A2 x2 Ø8x60mm	B1 x34 Ø5x38mm	B2 x2 Ø7x70mm	C1 x38 Ø15x12mm
F2 x4 40mm	G1 x6 26mm	J1 x14 Ø21mm	K1 x10 Ø6,4x50mm	L3 x2
N1 x1 	N2 x1 4mm HEX	P12 x4 H45 L350mm	U3 x2 92x33mm	W2 x28 Ø3,5x16mm
W5 x4 Ø4x30mm	X3 x4 M4x22mm	Y1 x4 Ø8mm	Y2 x8 Ø16mm	



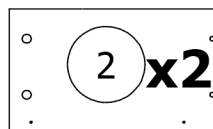
1/2



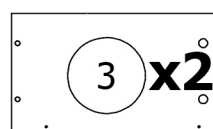
496x260x18mm



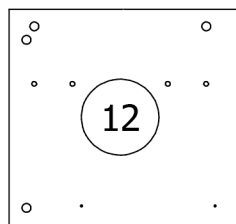
496x260x18mm



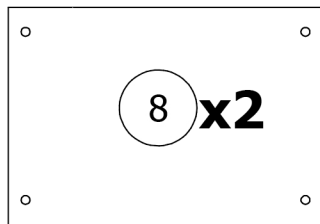
215x350x15mm



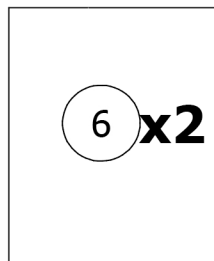
215x350x15mm



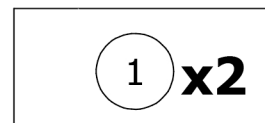
375x382x15mm



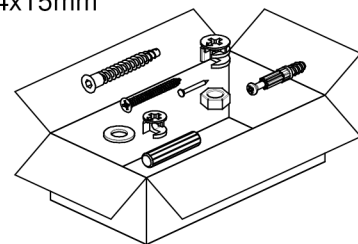
527x382x15mm



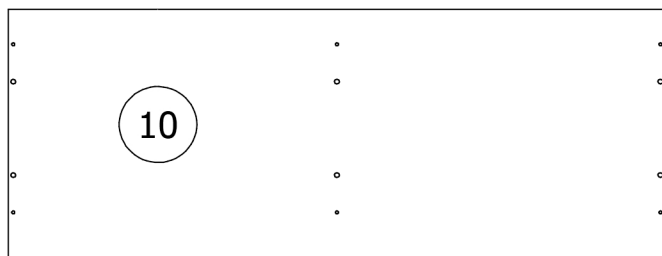
442x352x2,5mm



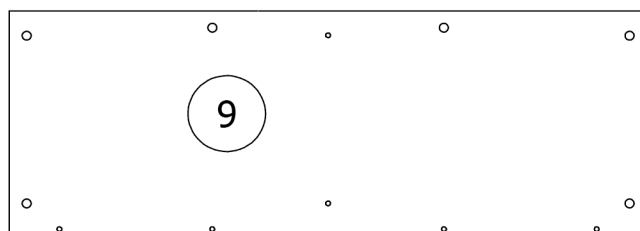
201x434x15mm



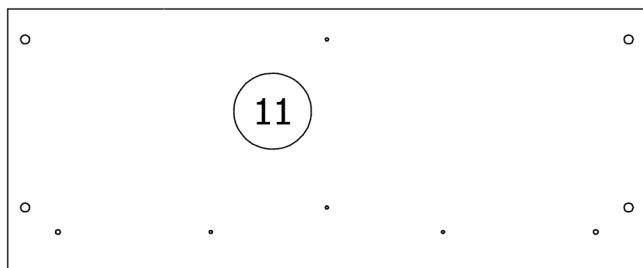
2/2



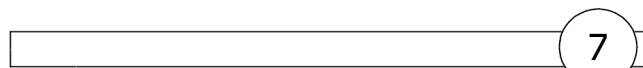
1101x430x36/22mm



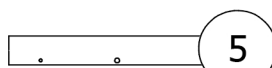
1068x382x15mm



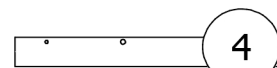
1069x450x15mm



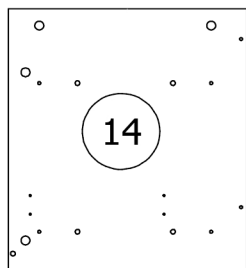
1068x60x15mm



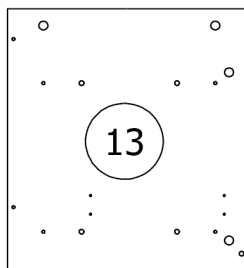
450x50x22mm



450x50x22mm

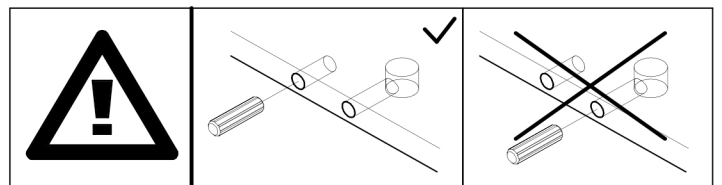
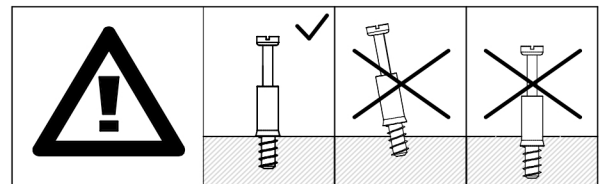
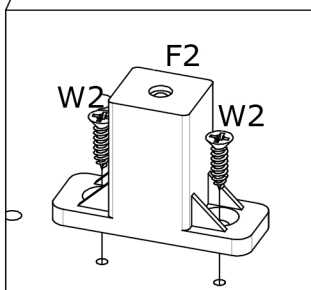
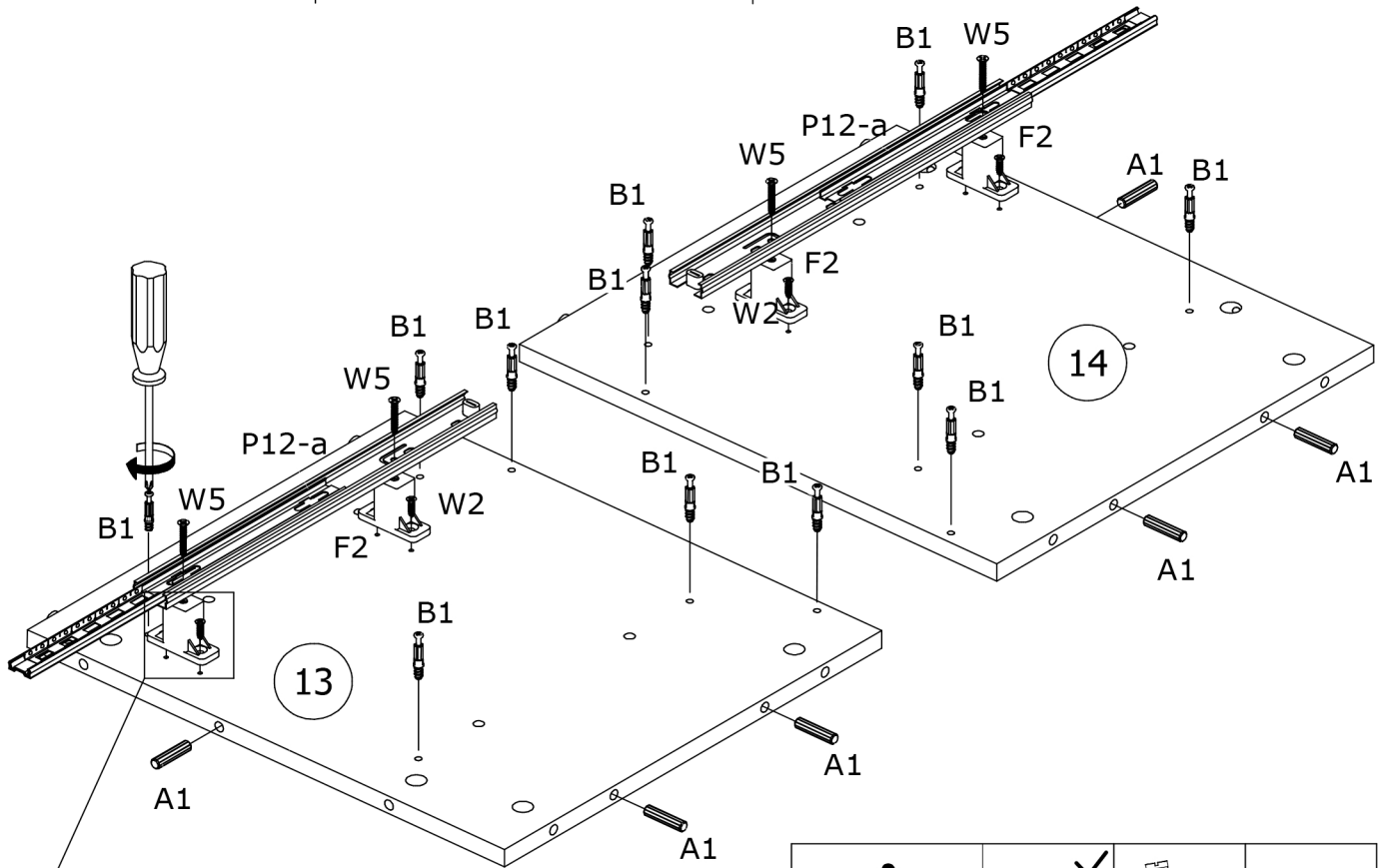
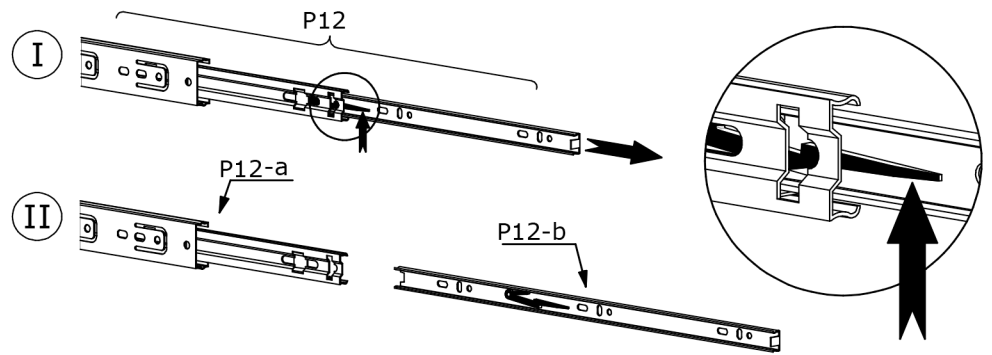
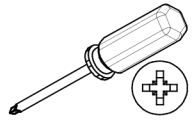


450x400x15mm

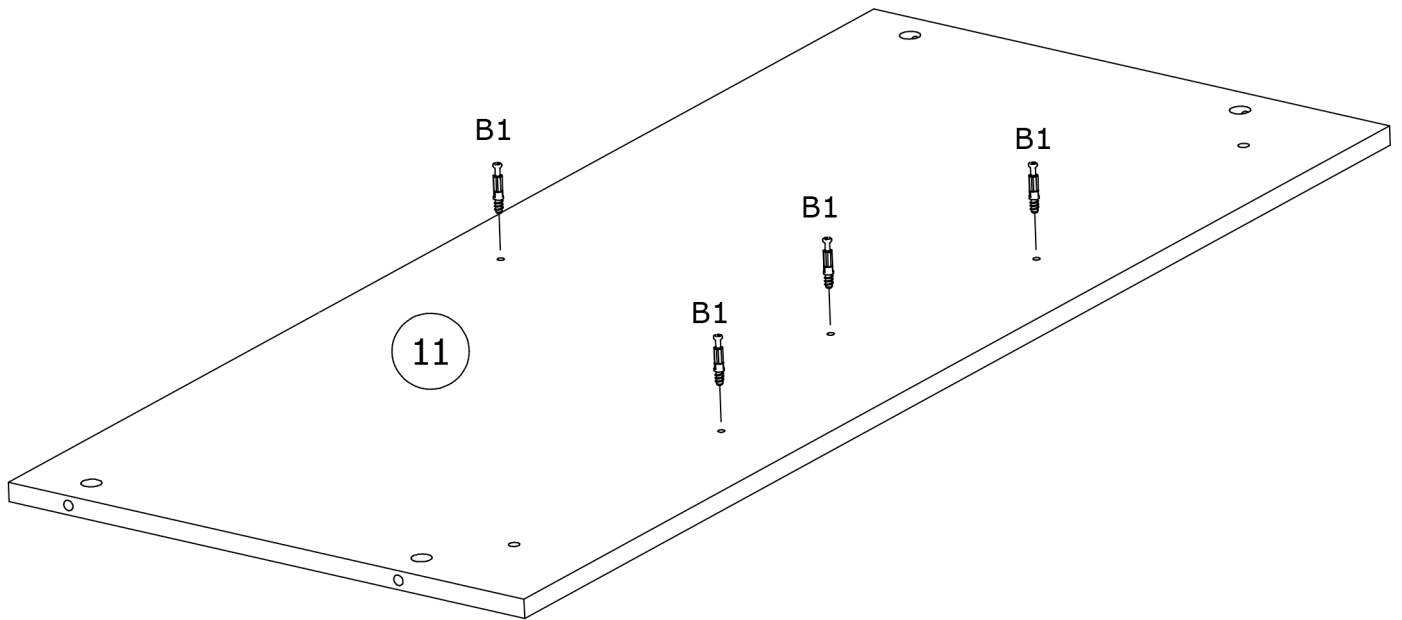


450x400x15mm

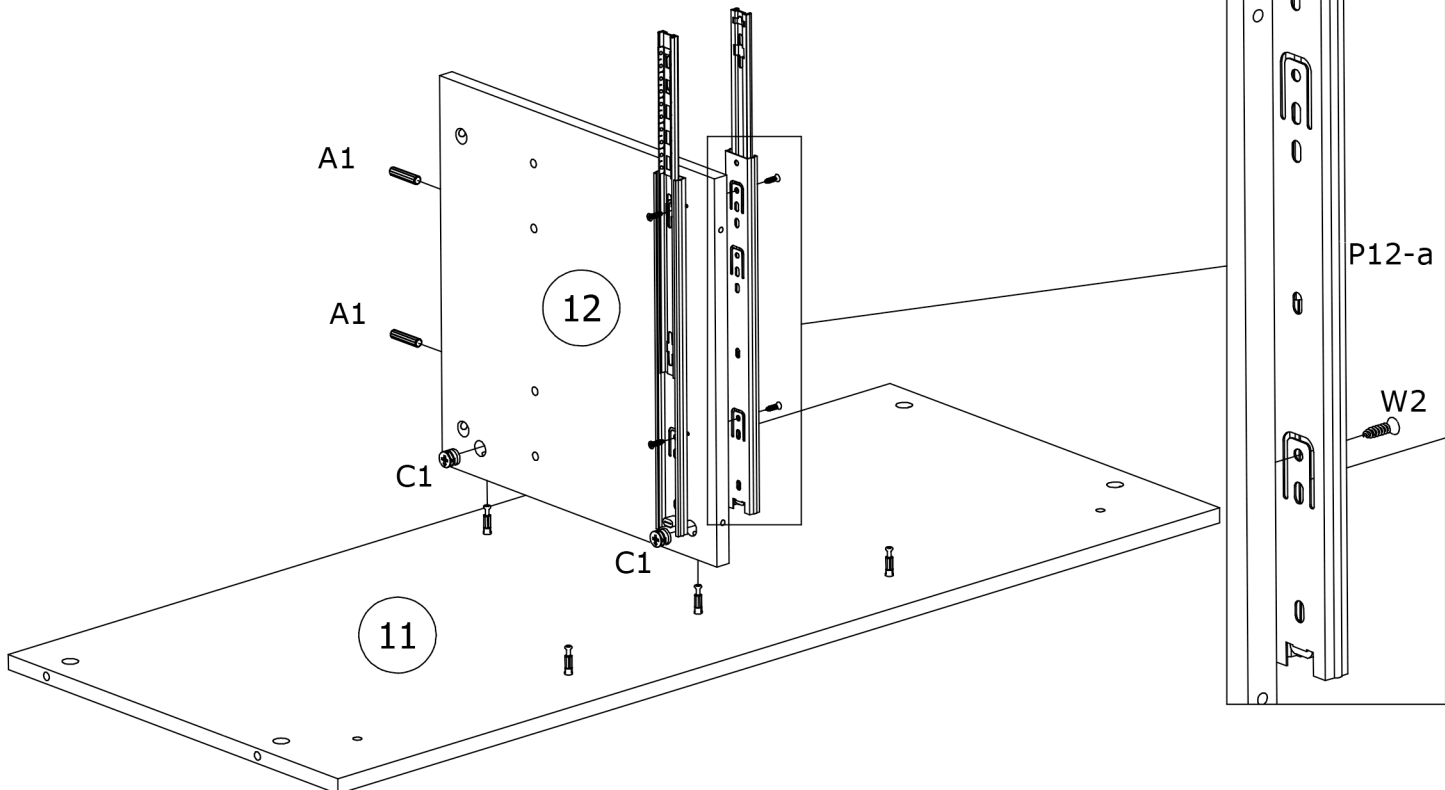
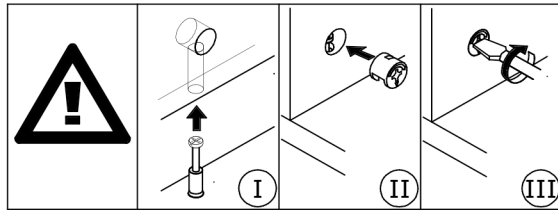
1



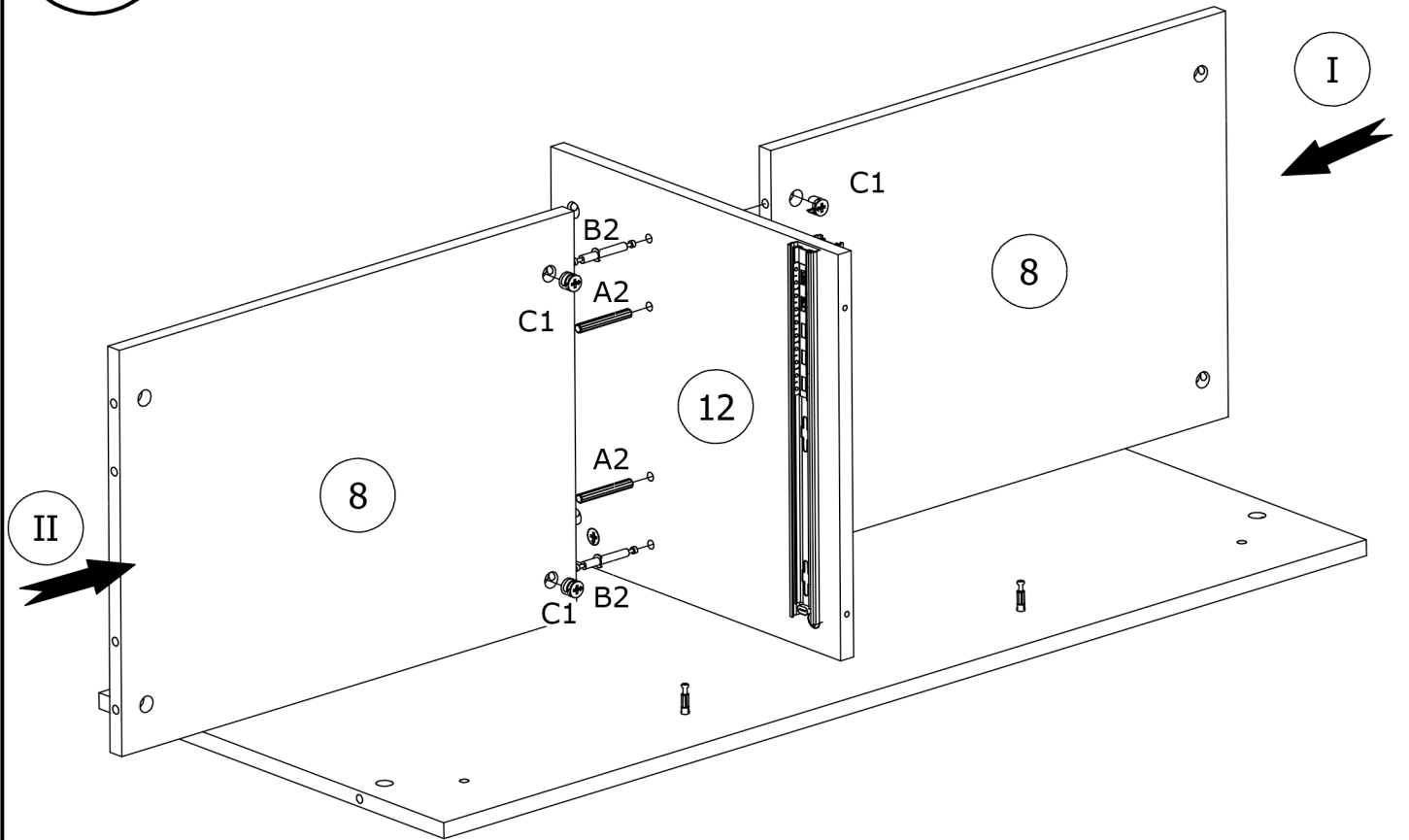
2



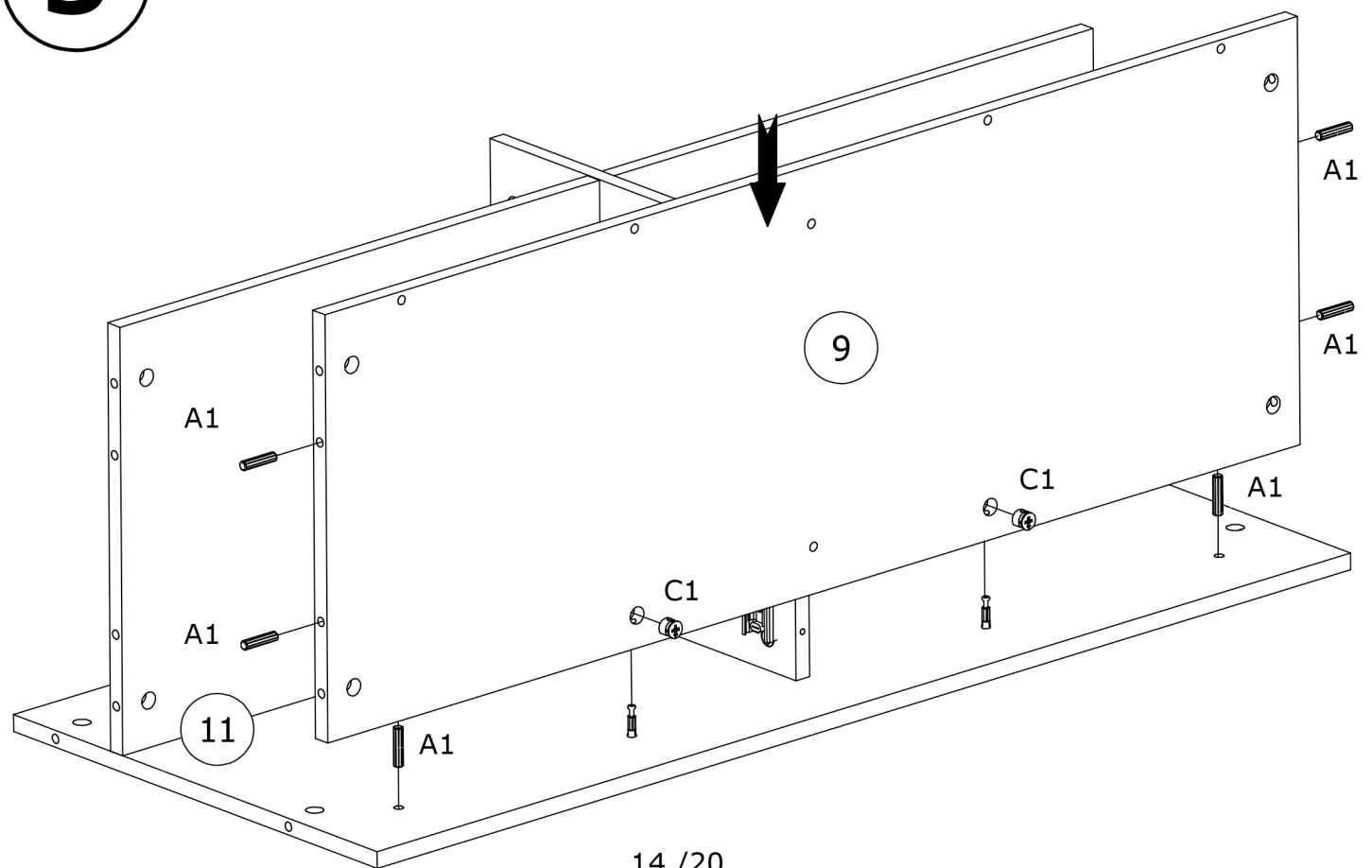
3



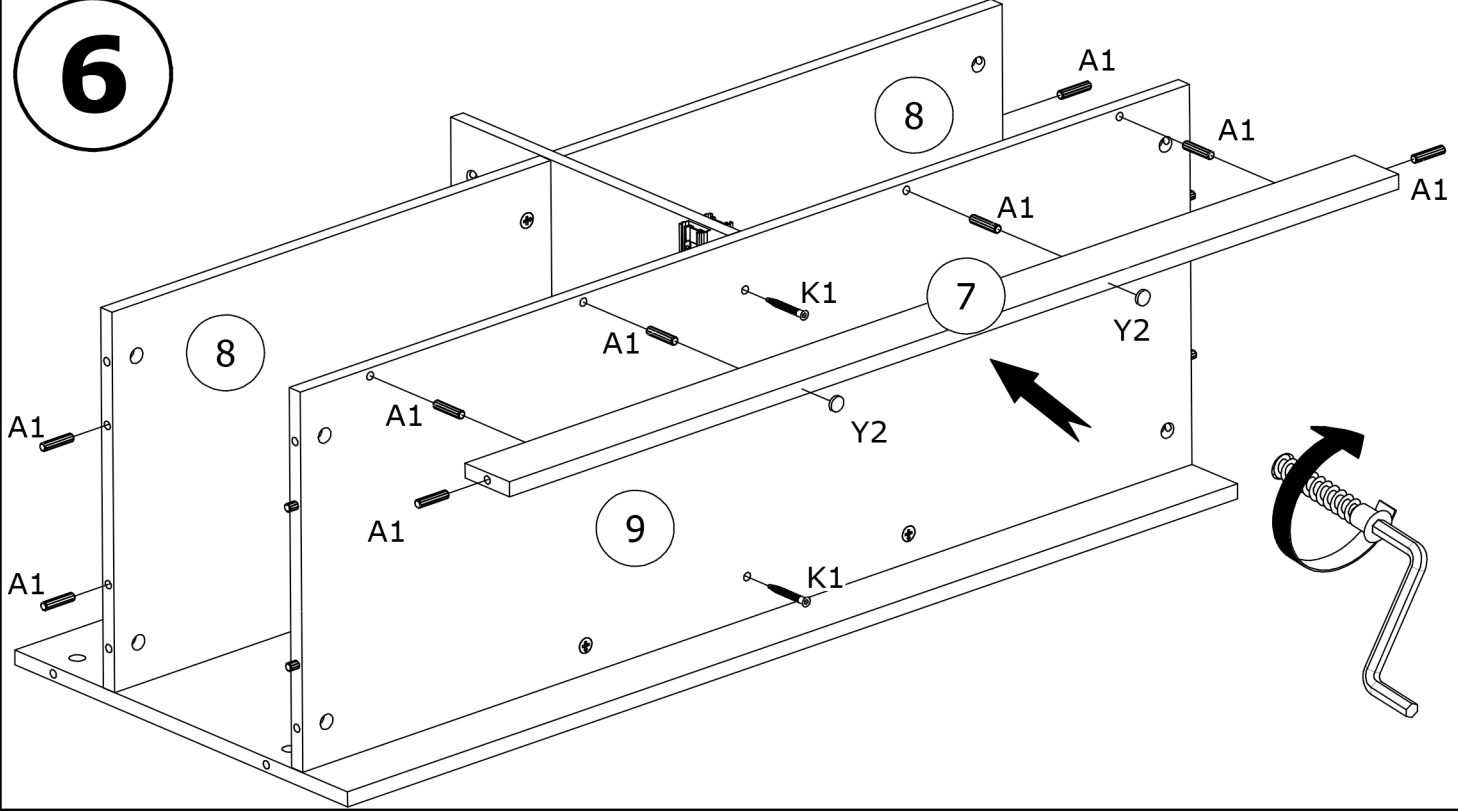
4



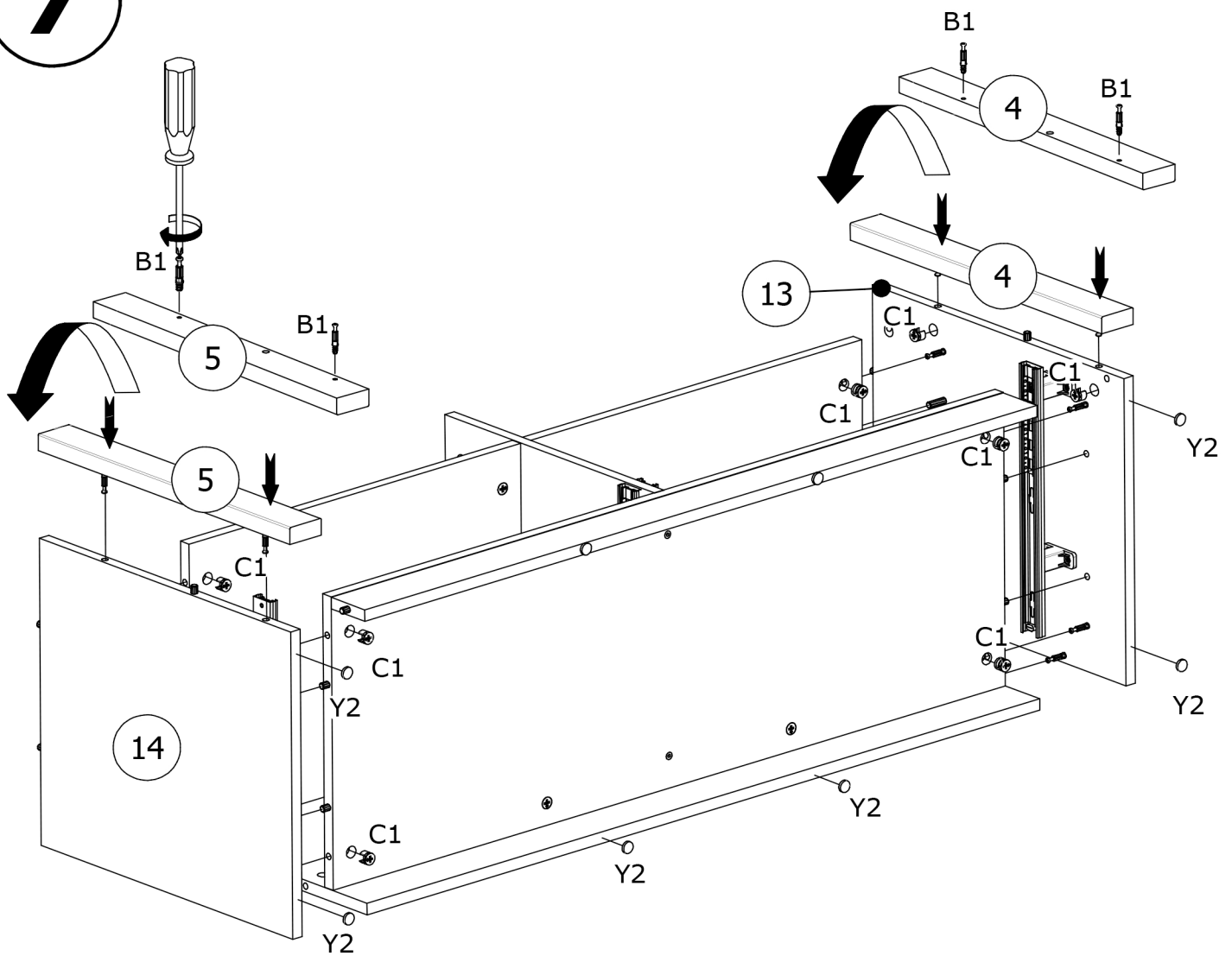
5



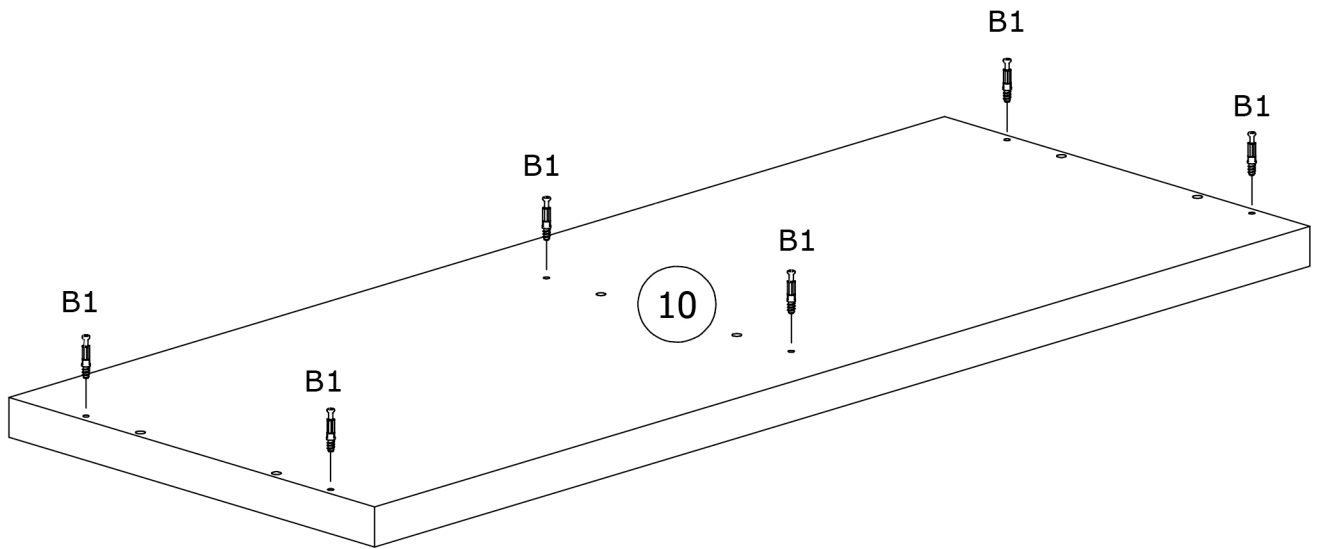
6



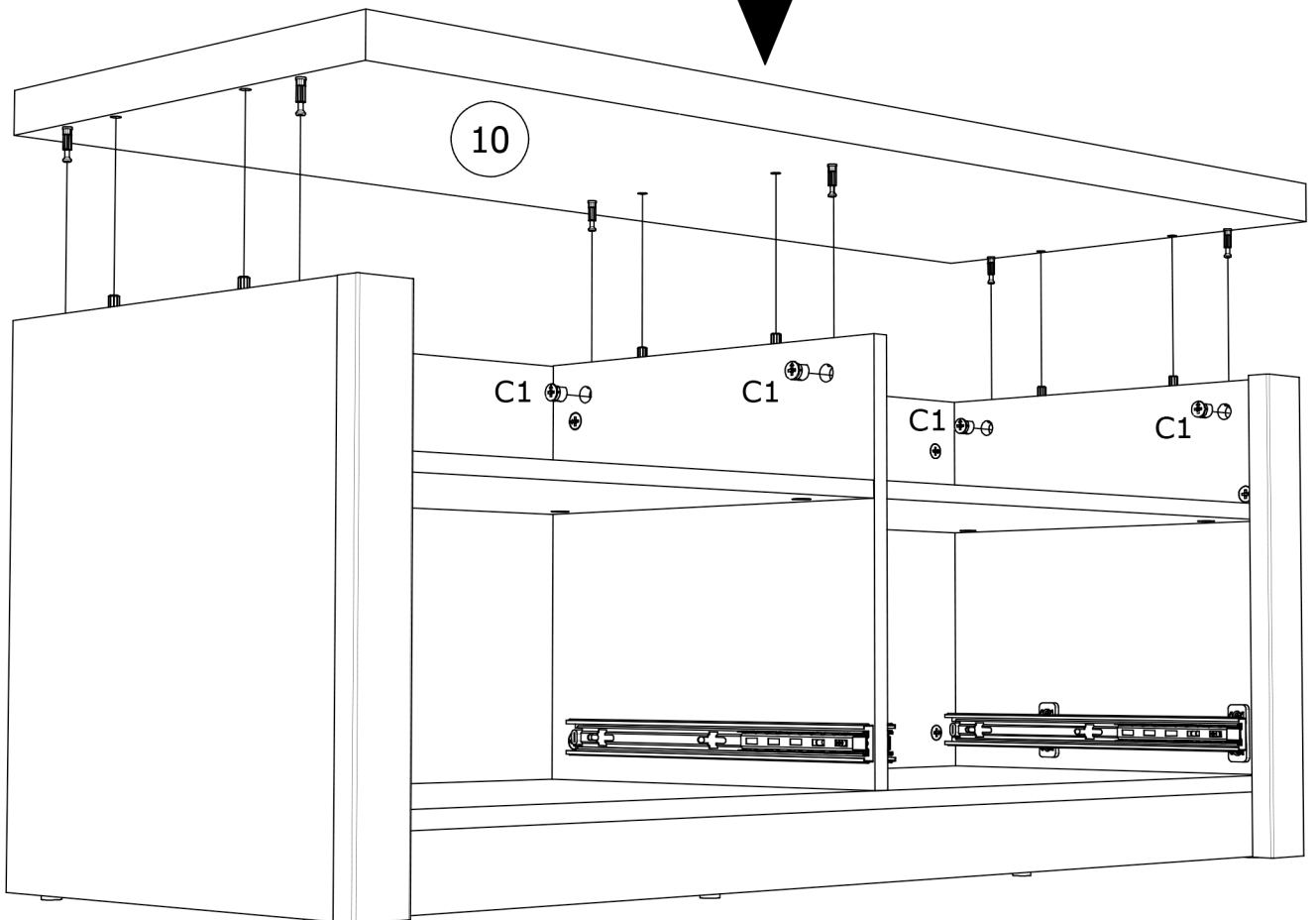
7



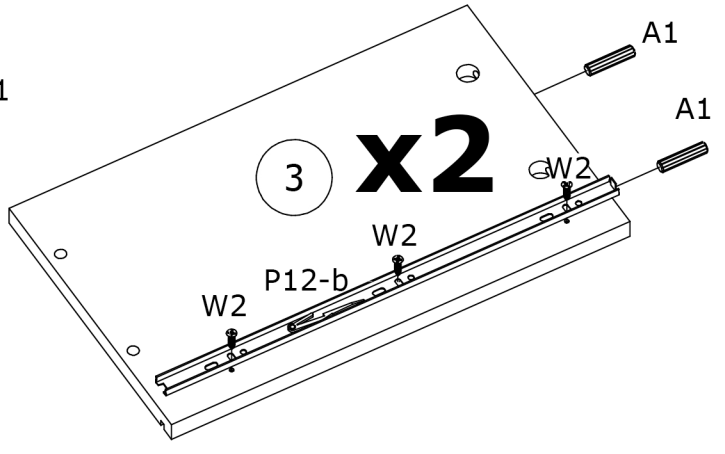
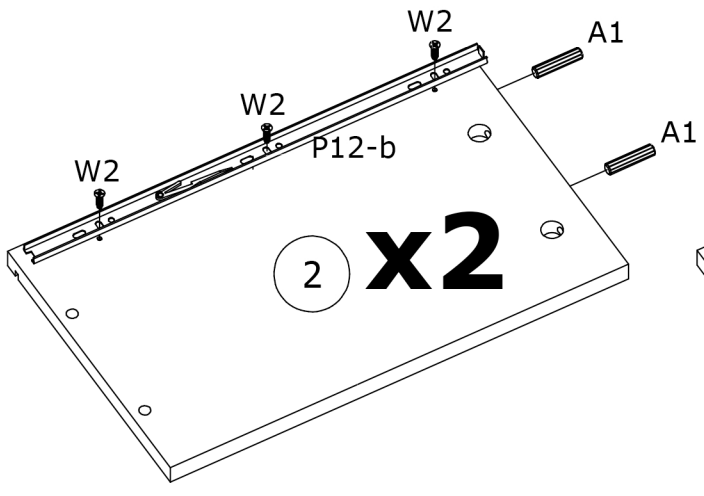
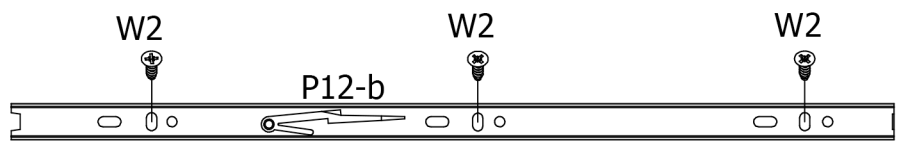
8



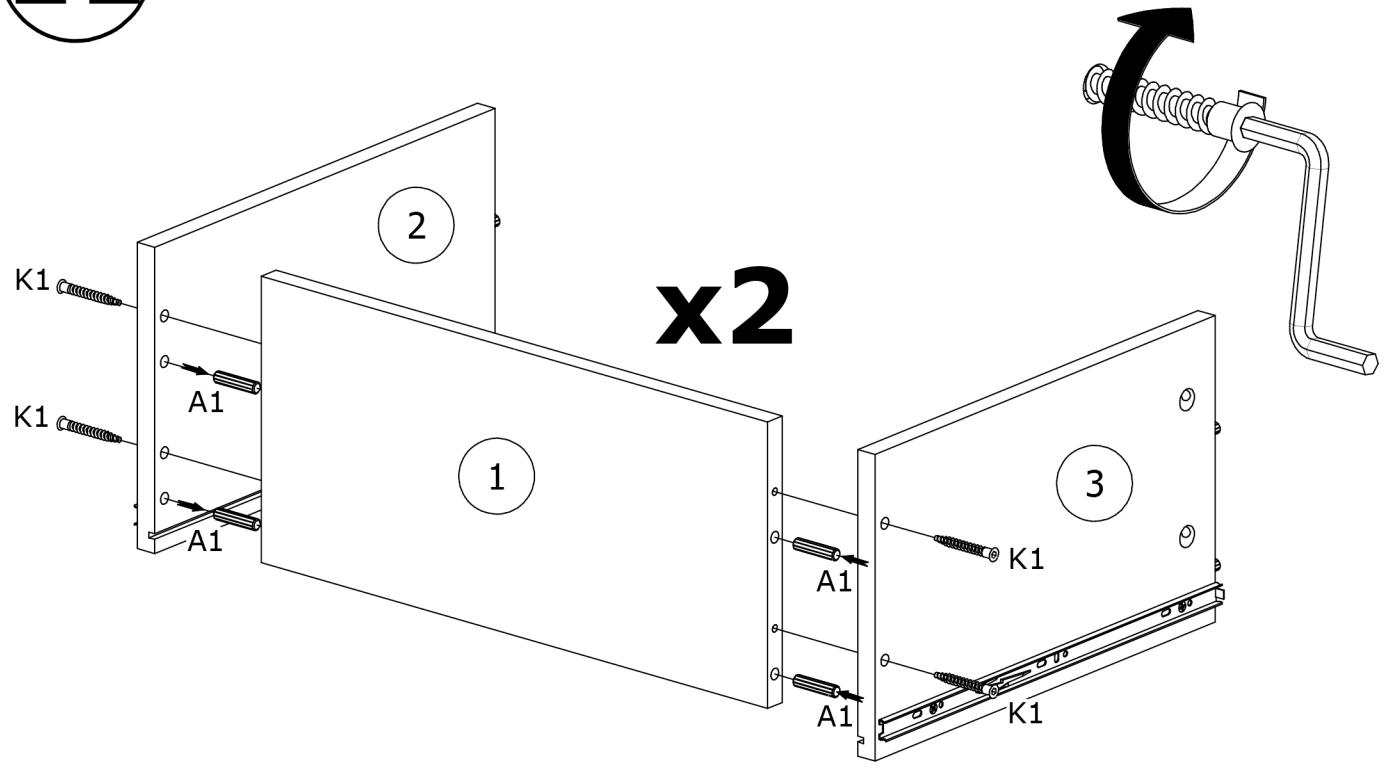
9



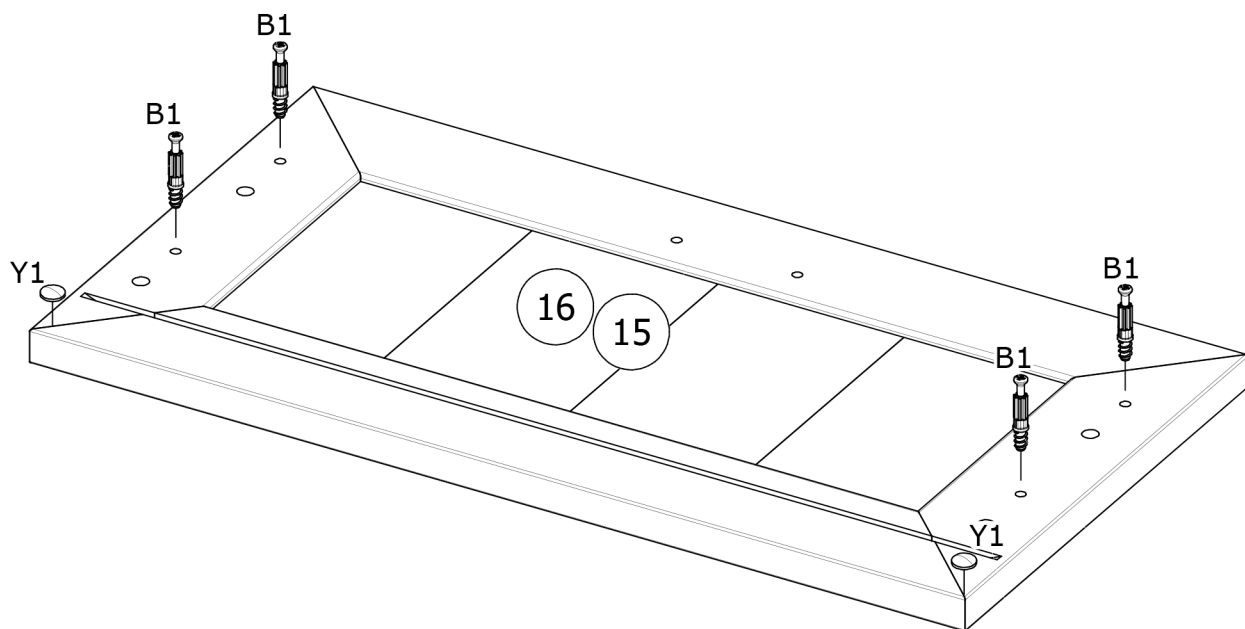
10



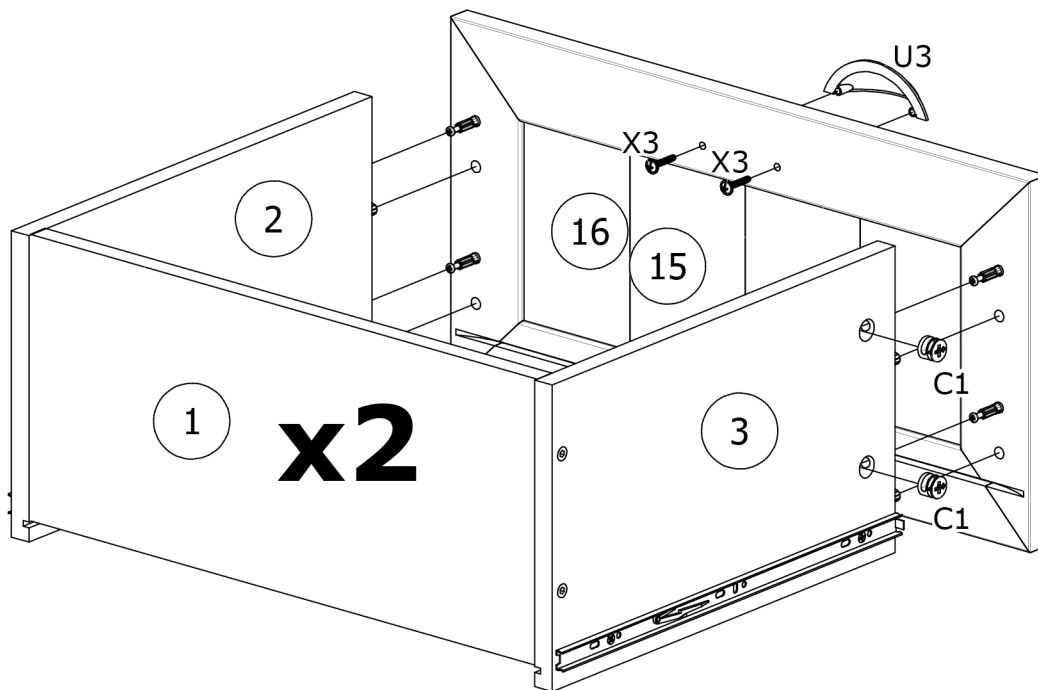
11



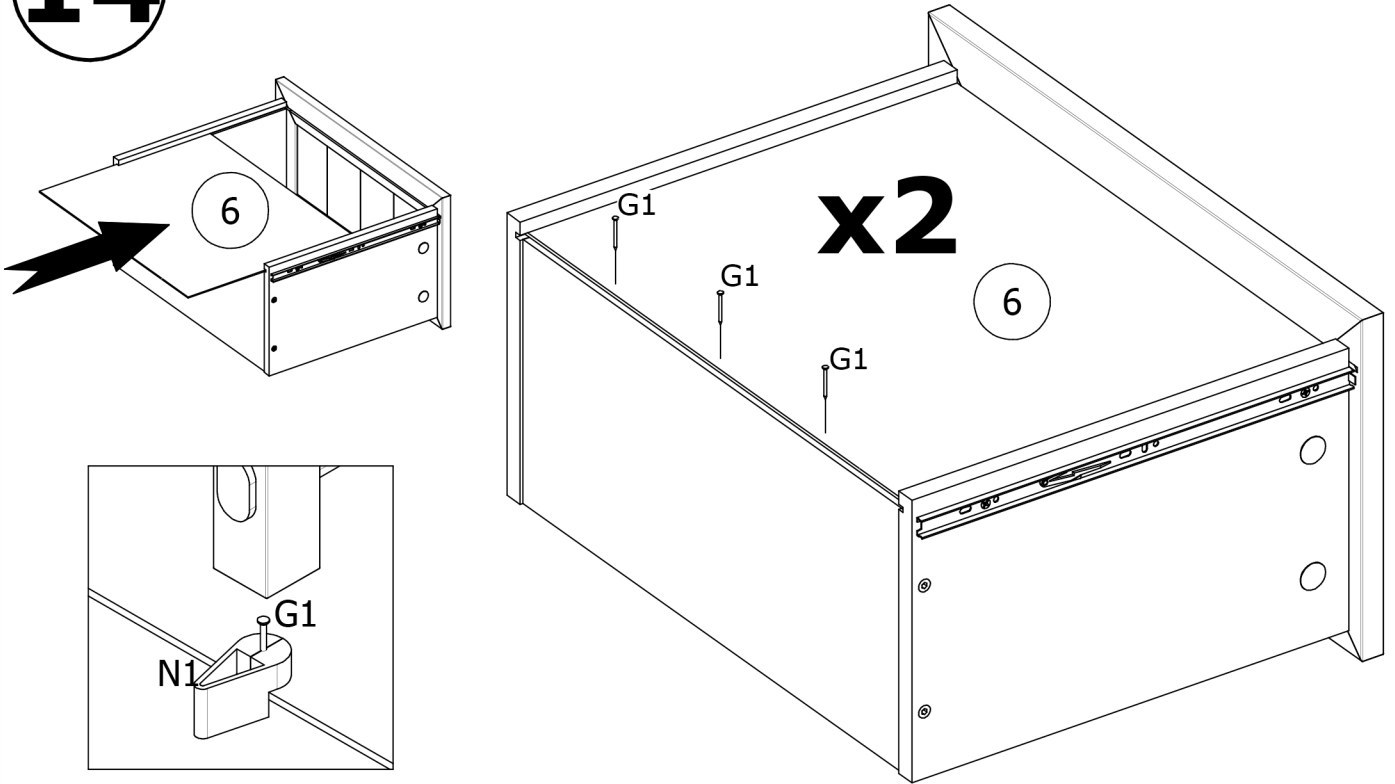
12



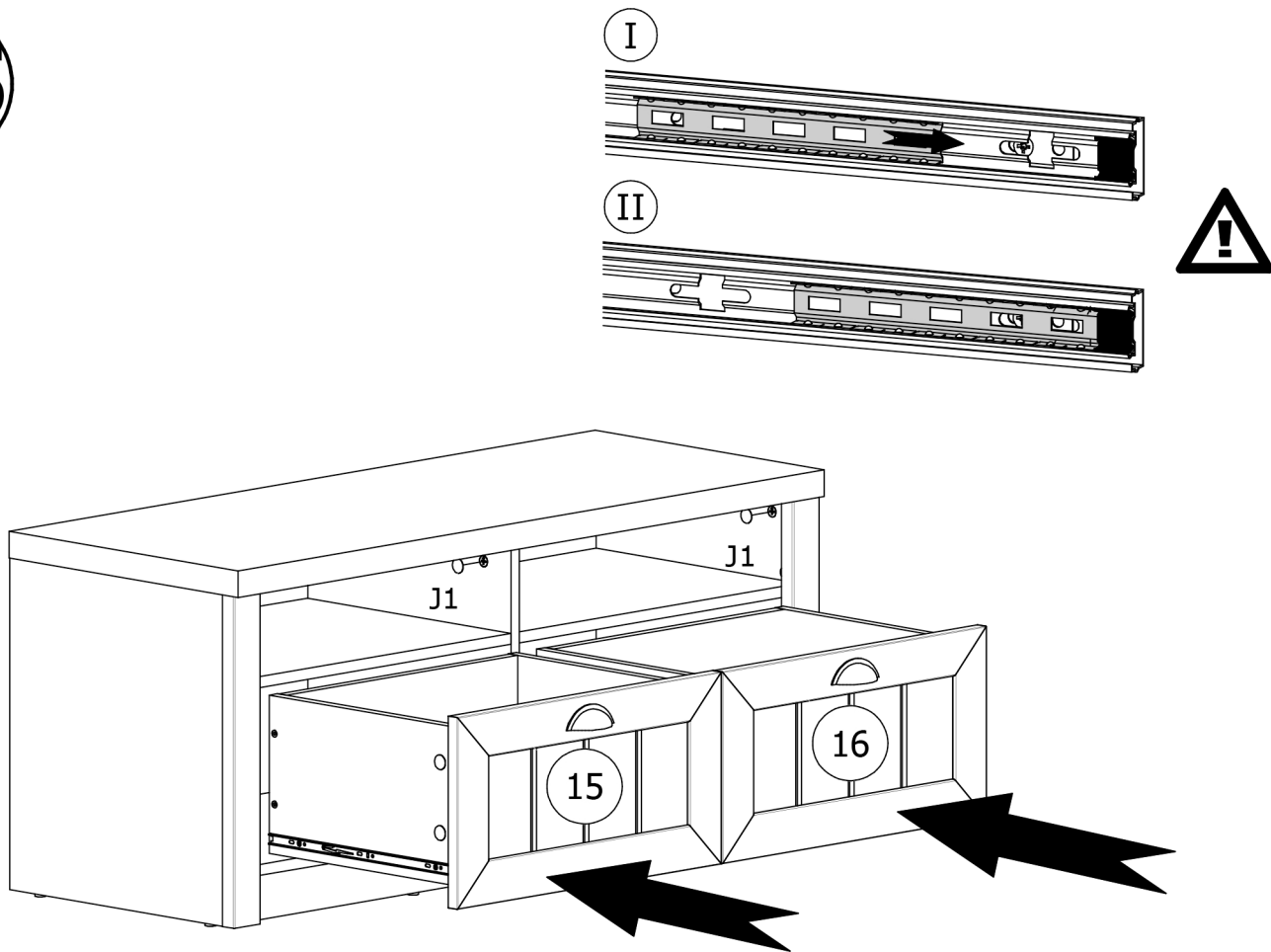
13



14



15



16

