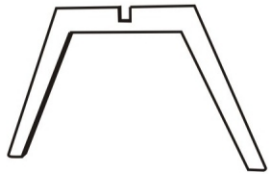


Ax1



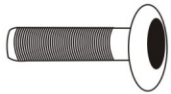
Bx1



Cx1



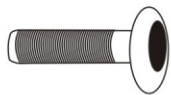
Dx5



Ex5



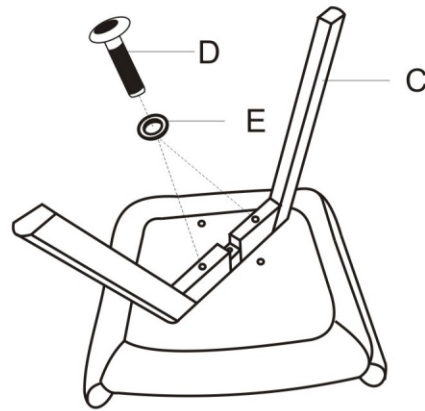
Fx1



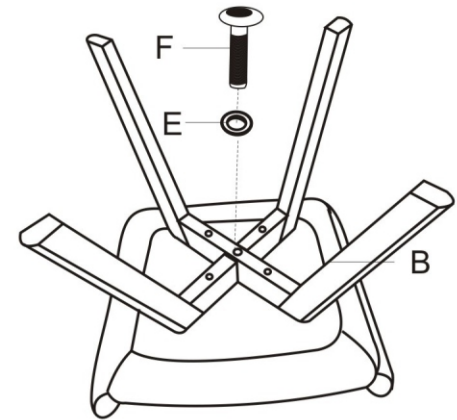
Ix1



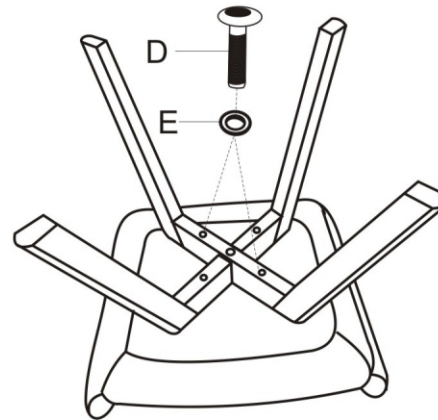
1



2



3



4



CLORIN 6008-1