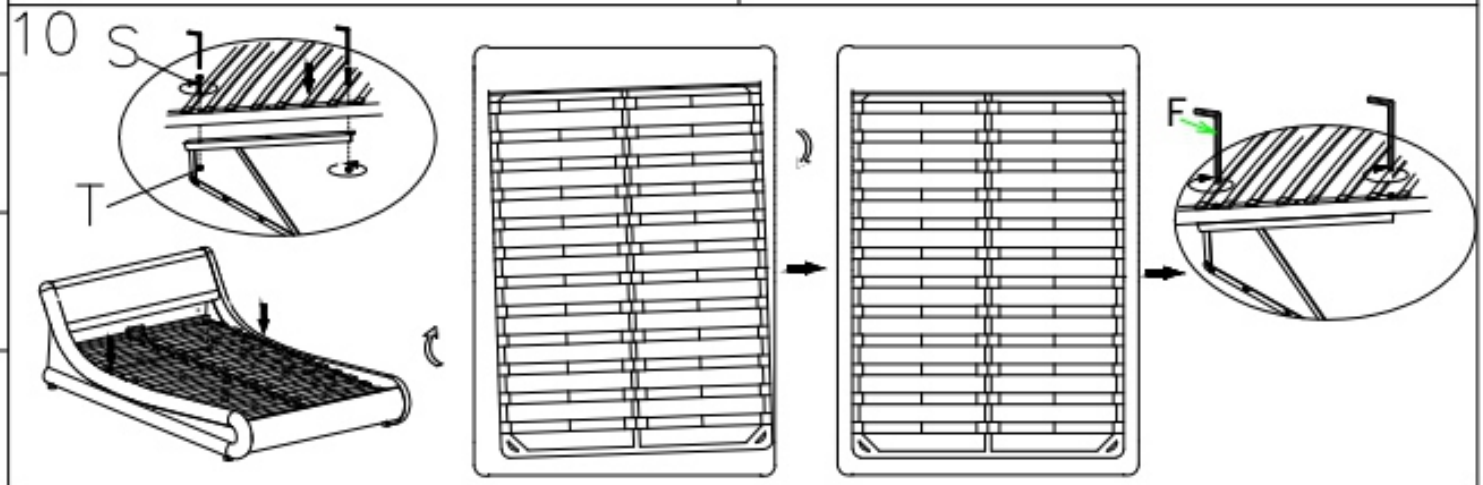
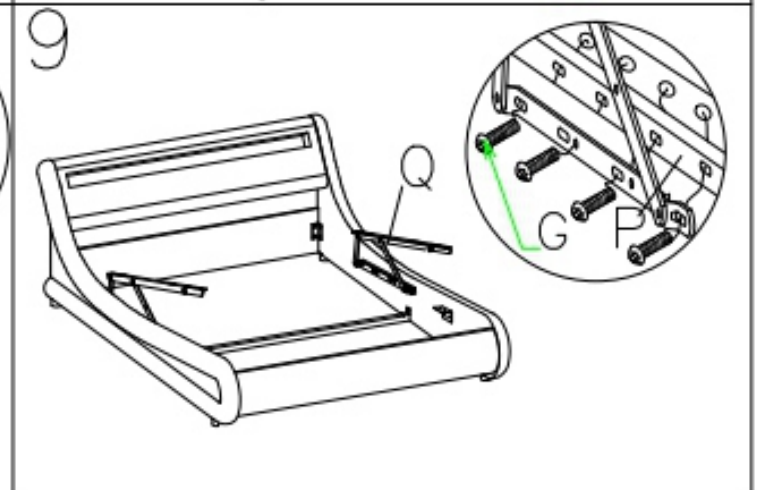
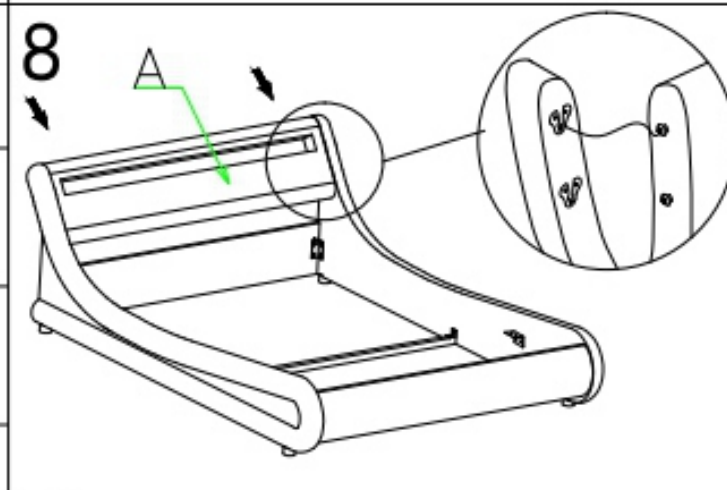
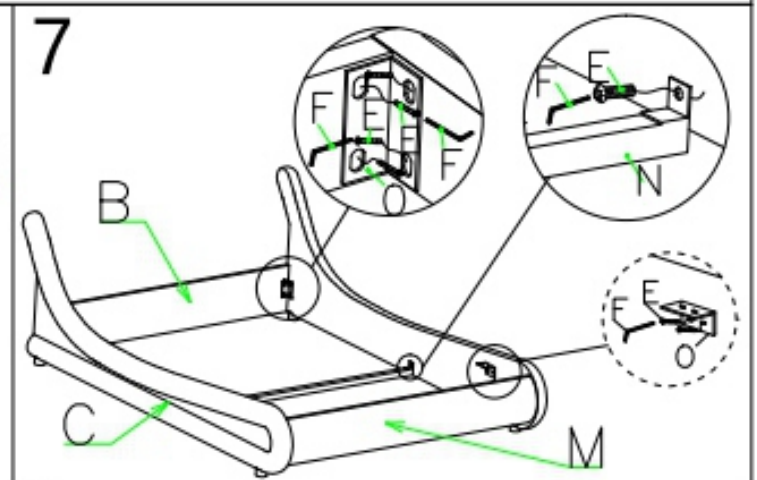
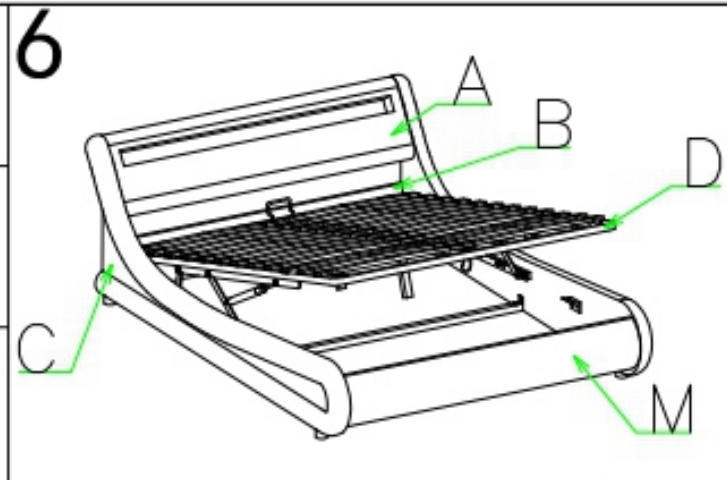


MANILA

Ax1 	Bx1
Cx2 	Dx1
Ex22 (8*20)	Fx1
Gx8 (8*40)	Hx1
Ix1 	Jx1
Kx1 	Lx1
Mx1 	Nx1
Ox6 	Px2
Qx2 	Rx2
Sx4 (8*50)	Tx4



200cm

