

















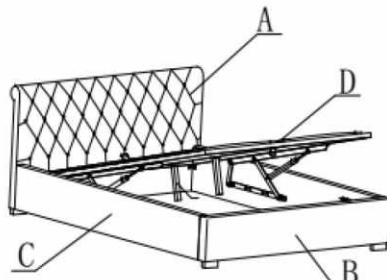


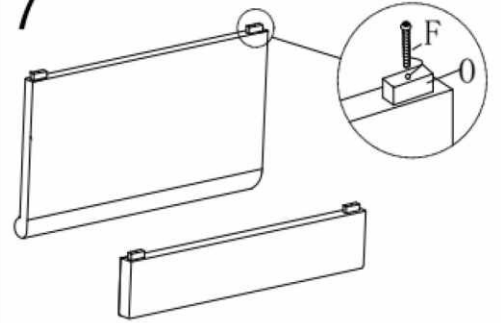
DORLEN

| | |
|---|---|
| Ax1  | Bx1  |
| Cx2  | Dx1  |
| Ex1  | Fx8 (8*50)  |
| Gx22 (8*20)  | Hx8 (8*40)  |
| Ix1  | Jx2  |
| Kx1  | Lx4  |
| Mx6  | Nx1  |
| Ox4 12x5x4cm  | Px2  |
| Qx2  | Rx1  |

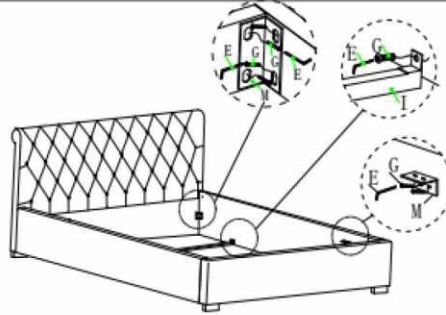
6



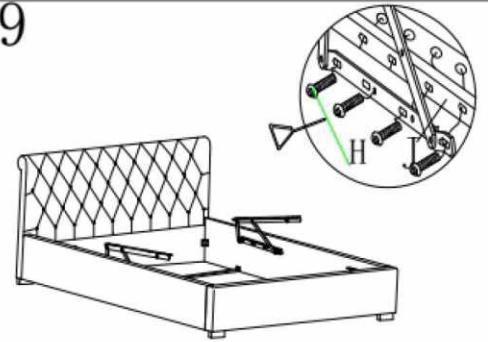
7



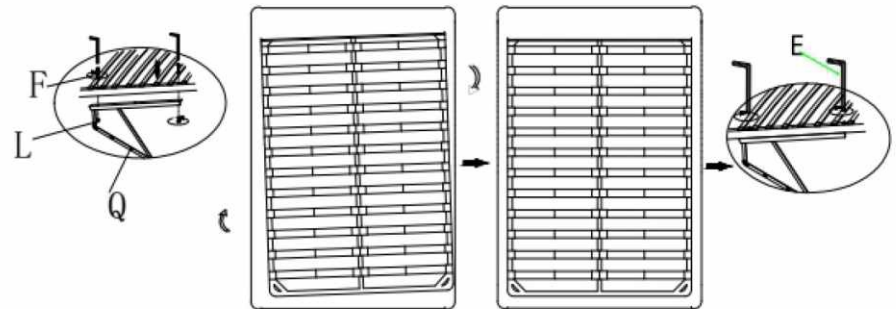
8



9

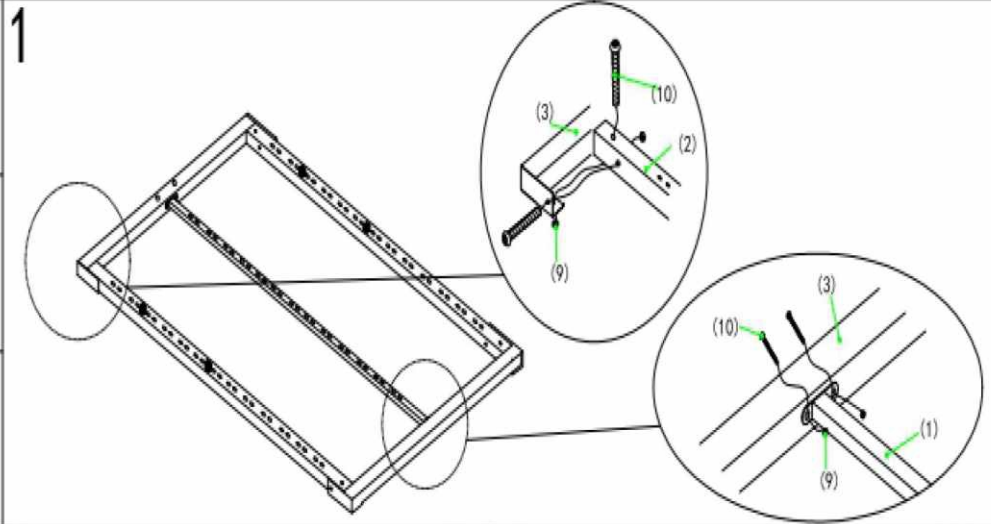


10

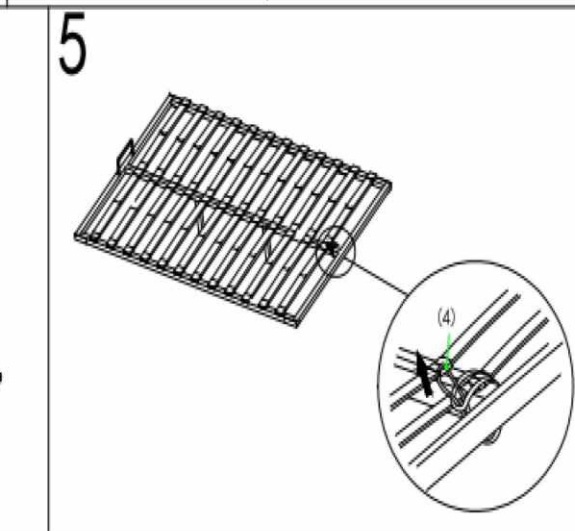
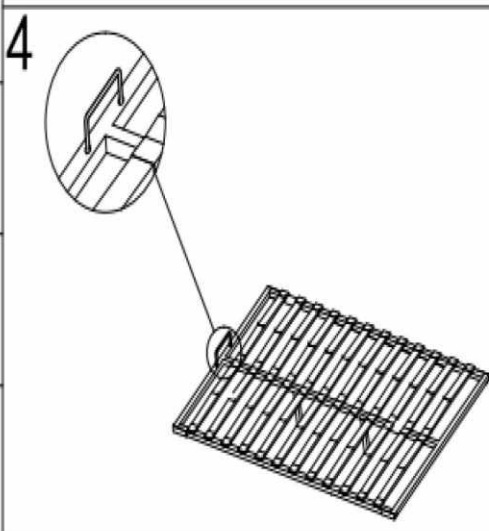
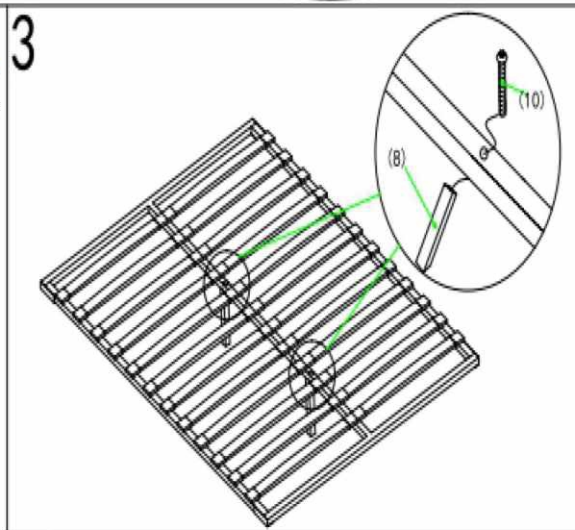
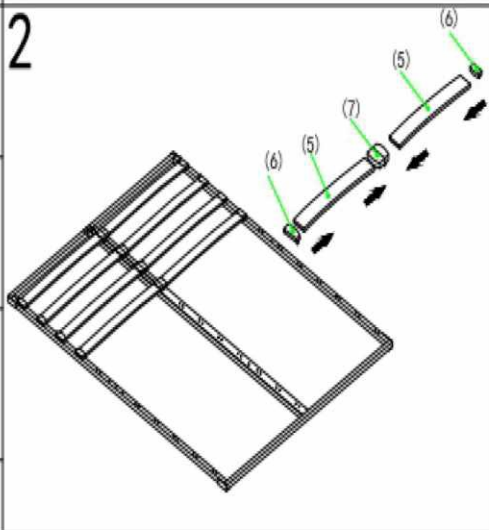


200cm

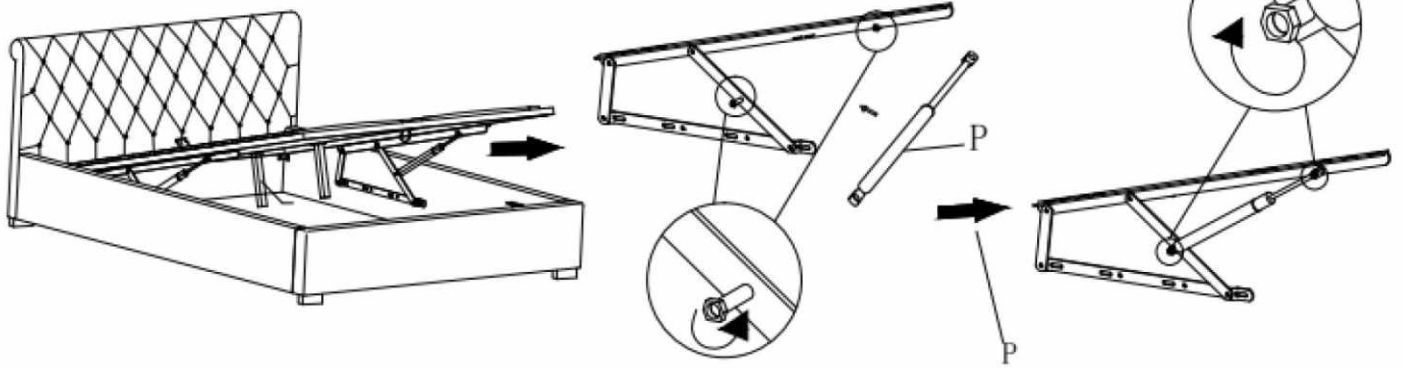
- | | |
|---------|---------|
| (1) x1 | (2) x2 |
| (3) x2 | (4) x1 |
| (5) x36 | (6) x36 |



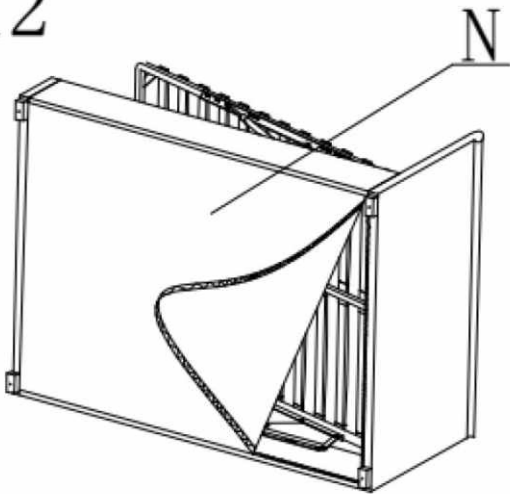
- | | |
|---------|----------|
| (7) x18 | (8) x2 |
| (9) x12 | (10) x14 |
| (11) x1 | |



11



12



13

