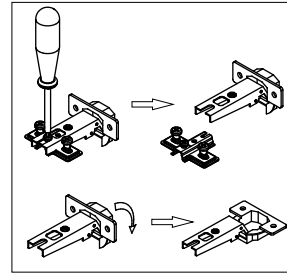
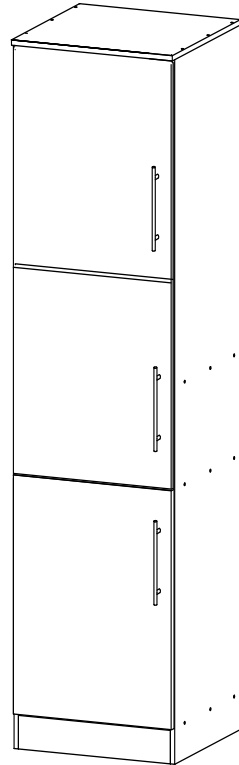
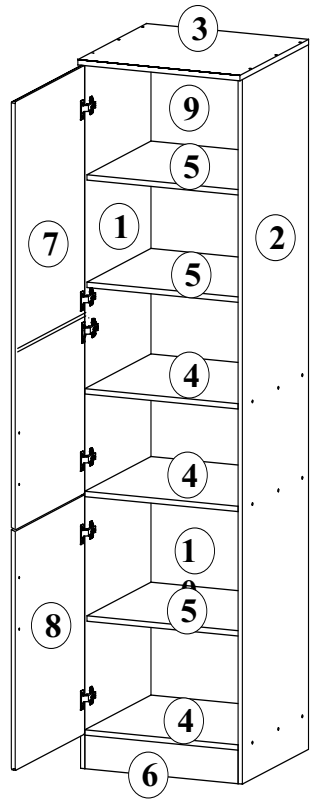
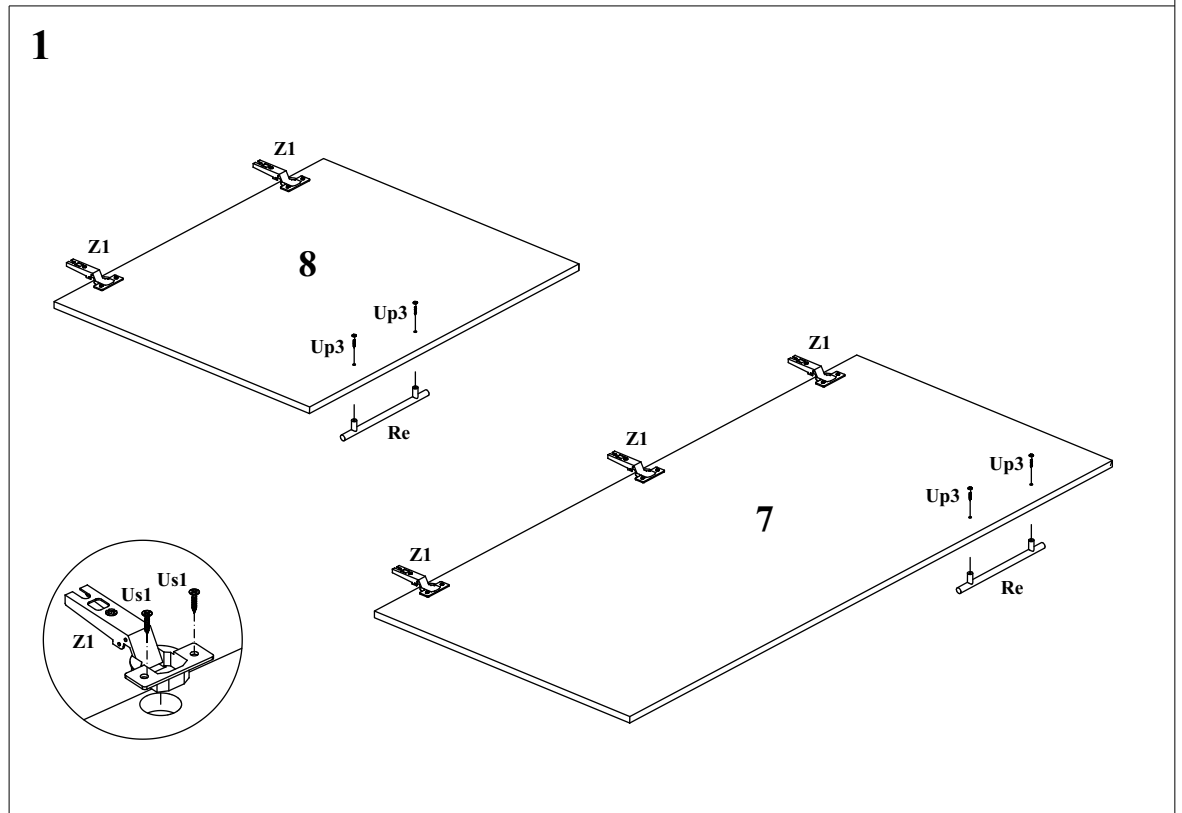


# S40/210

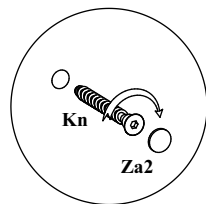
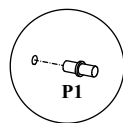
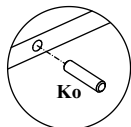
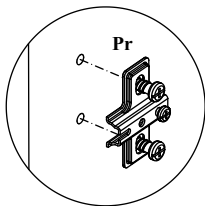
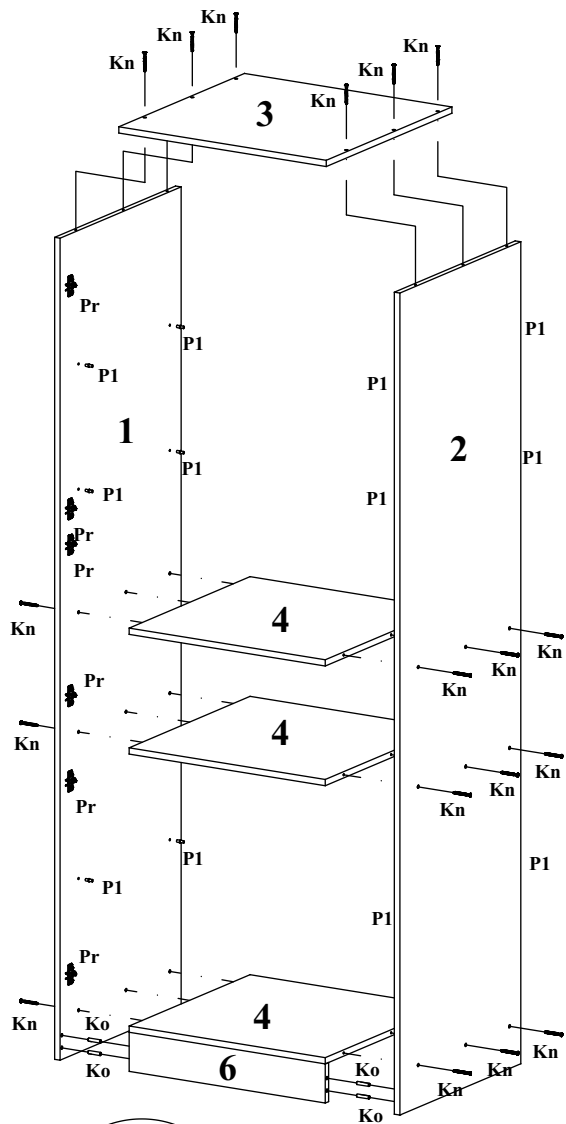


<b>Pr</b> X6	<b>Z1</b> X6	<b>P1</b> X12	<b>Sl</b> X4
<b>Kl</b> X1	<b>Up3</b> X6 Up3,5x25	<b>Us1</b> X12 Us3,5x16	<b>Re</b> X3
<b>Kn</b> X24	<b>Za2</b> X24	<b>Ko</b> X4	<b>Gw</b> X59

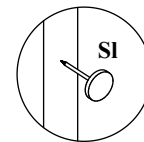
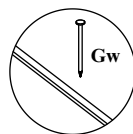
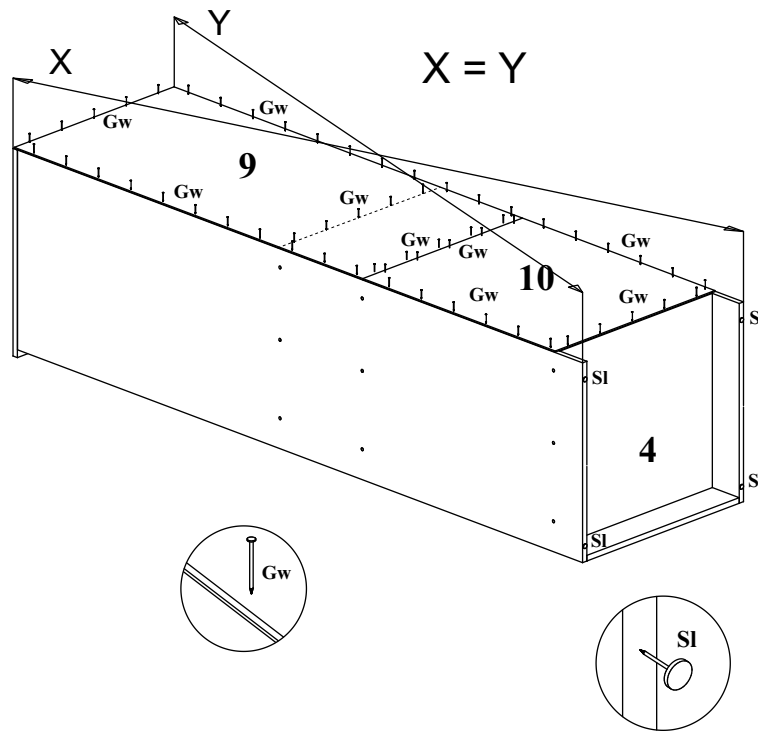


2

S40/210



3



4

