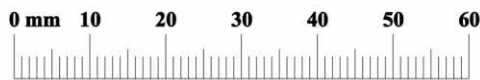


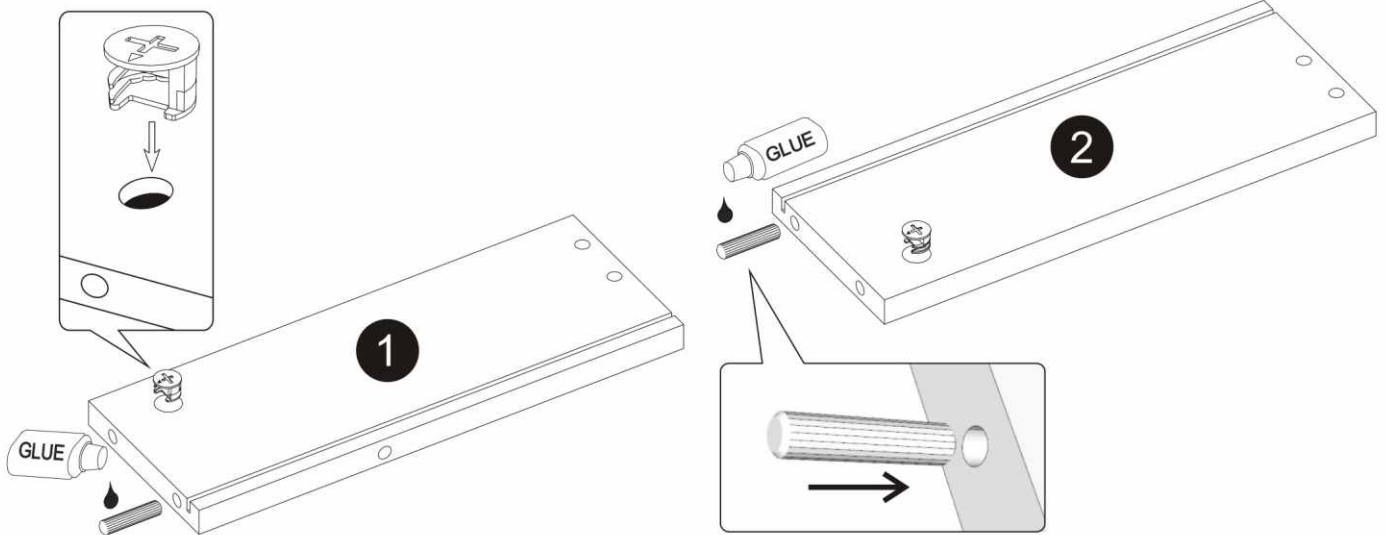
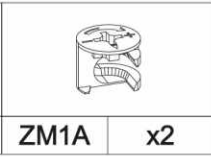
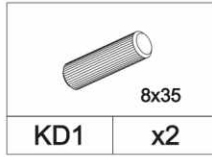
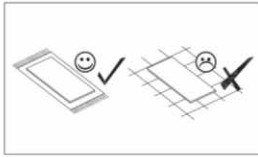
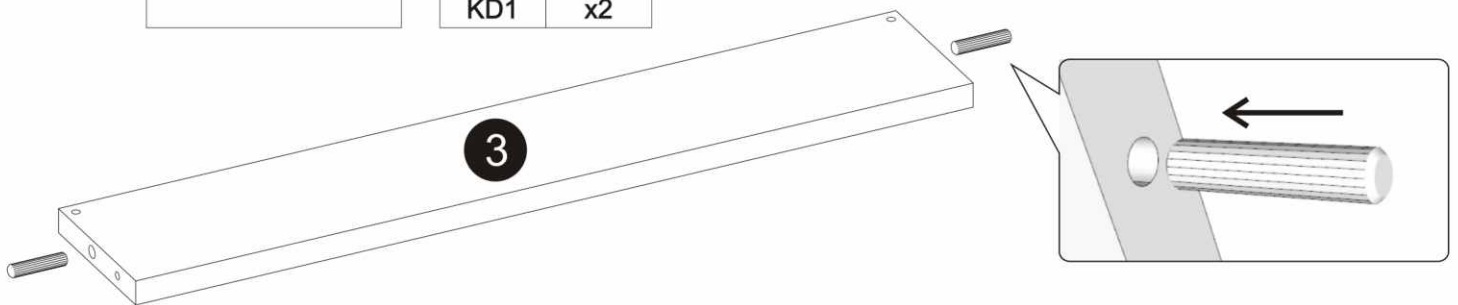
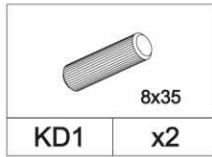
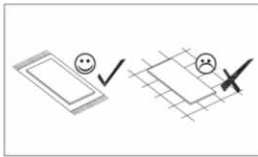
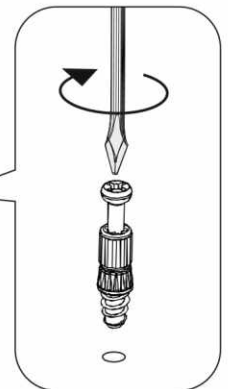
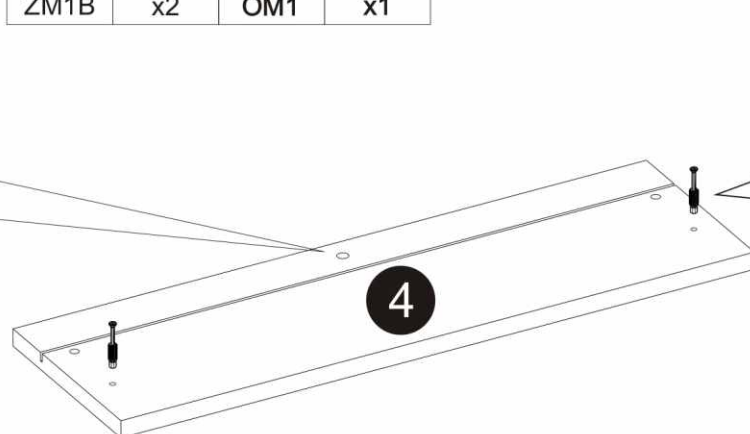
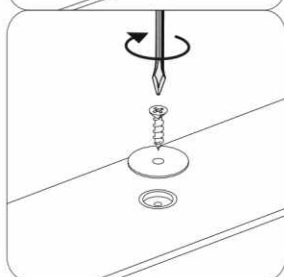
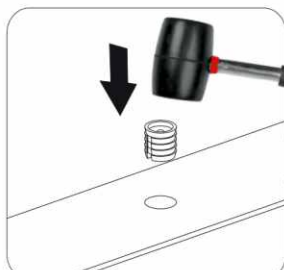
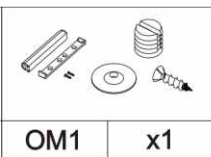
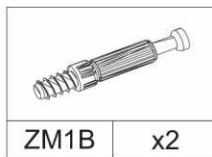
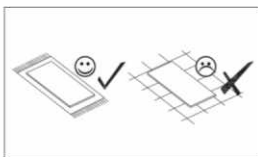
 1/2	6	16x350x757	x1
	7	16x350x757	x1
	13	16x350x1002	x1
	14	16x322x356	x2
	9	18x370x1002	x1

2/2	1	16x110x300	x1
	2	16x110x300	x1
	15	16x322x587	x1
	10	16x85x587	x1
	3	16x97x547	x1
	4	16x181x604	x1
	17	16x583x604	x1
	16	16x373x767	x1
	12	3x773x608	x1
	11	3x773x377	x1
5	3x305x561	x1	
8	25x332x757	x1	

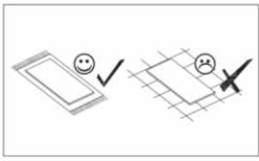
KK1 x1	ZM1 x10	ZM1B x10
ZM1A x10	PQ3 x1	PQ4 x1
K1 x8	W11 x6	KD1 x18
S1 x12	KSK1 x1	PL1 x5
KS1 x1	KRW1 x1	W1 x10
SS4 x5	W1 x5	PP x12
W4 x8	Z1P x4	ZP x4
	OM1 x3	



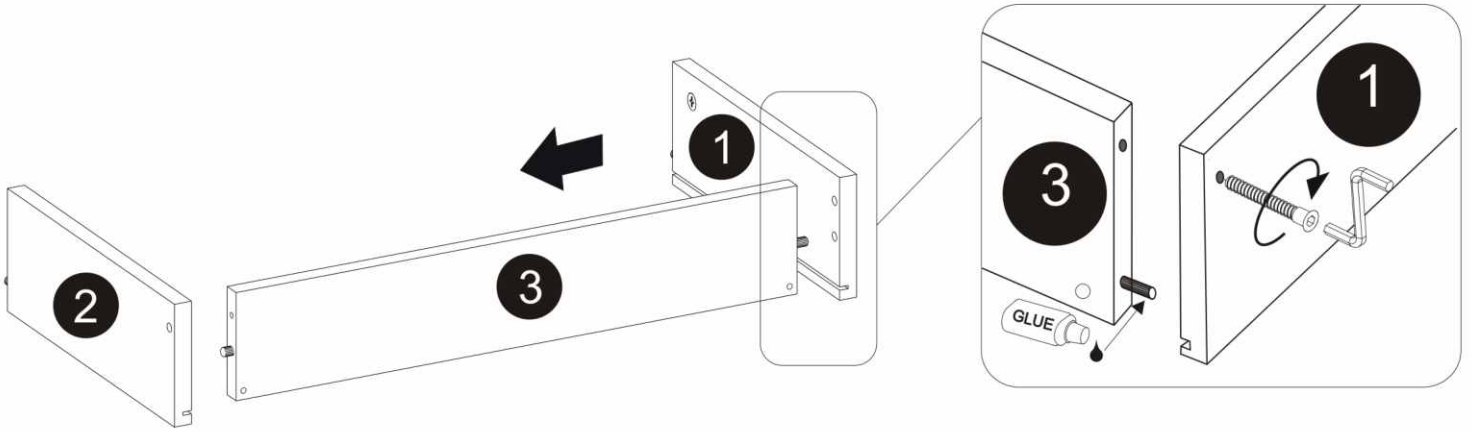
W4 x8	Z1P x4	ZP x4	OM1 x3

01**02****03**

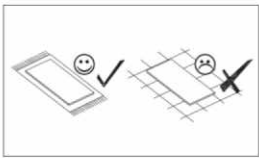
04



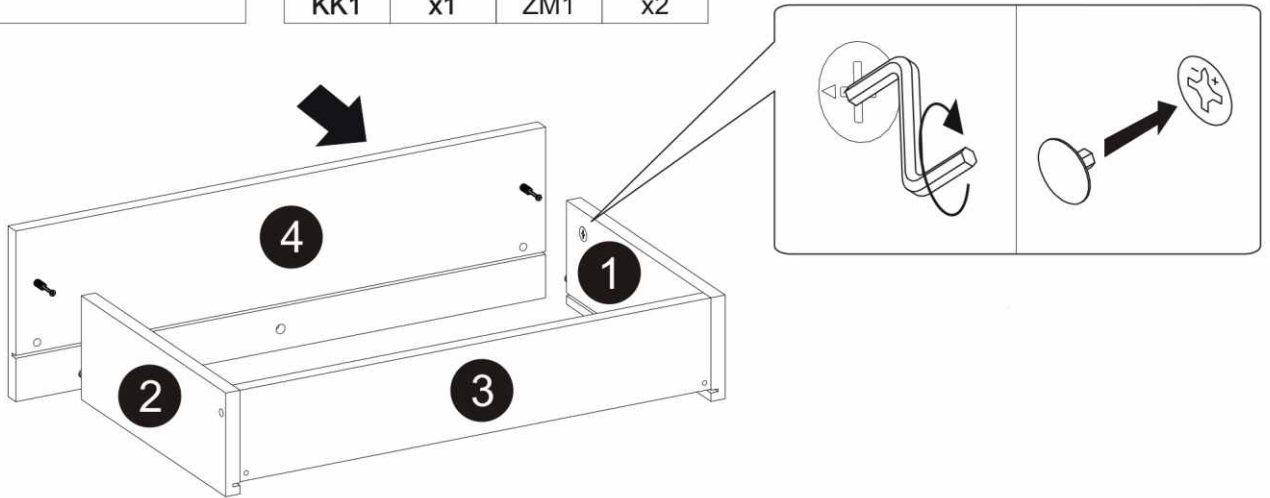
			7x50		GLUE
KK1	x1	K1	x2	KSK1	x1



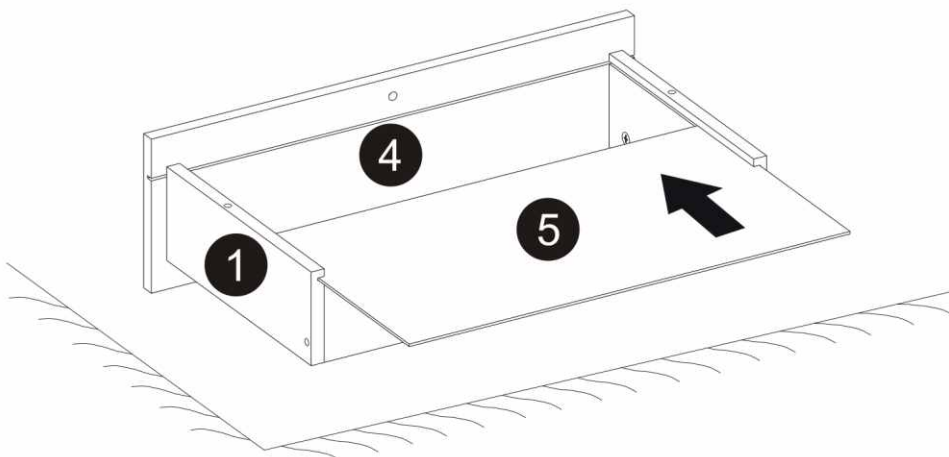
05



KK1	x1	ZM1	x2

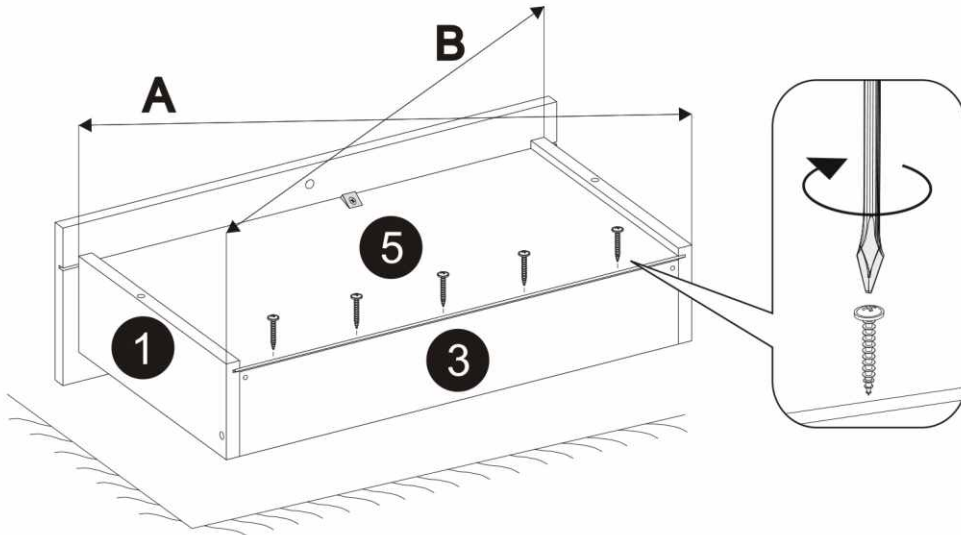


06

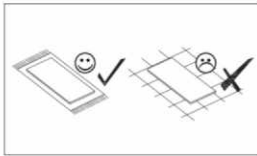


07

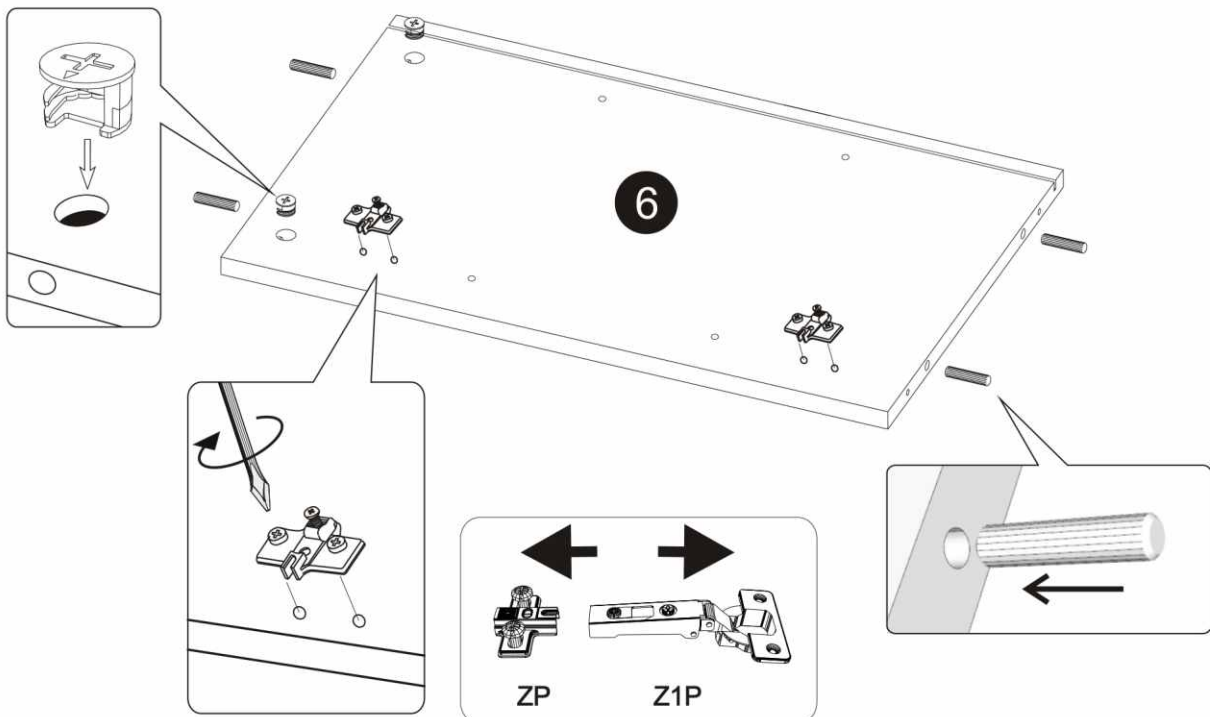
			
3x16			
W1	x5	S1	x1









08



					
8x35					
KD1	x4	ZM1A	x2	ZP	x2






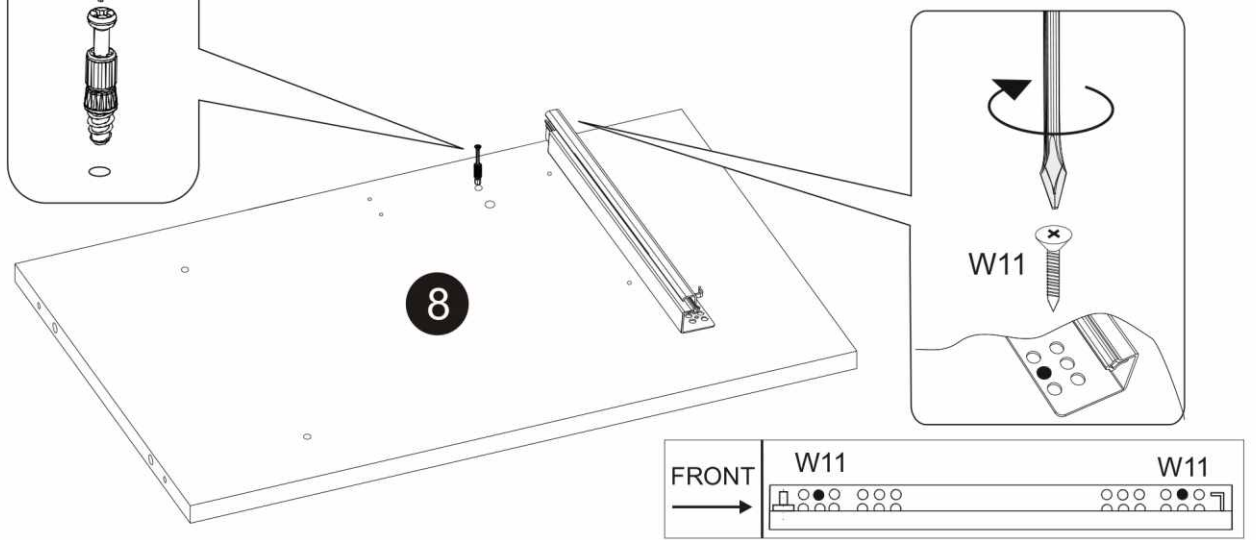
09

											
PQ4	x1	W11	3,5x16 x2	ZP	x2	ZM1A	x2	ZM1B	x1	KD1	8x35 x4






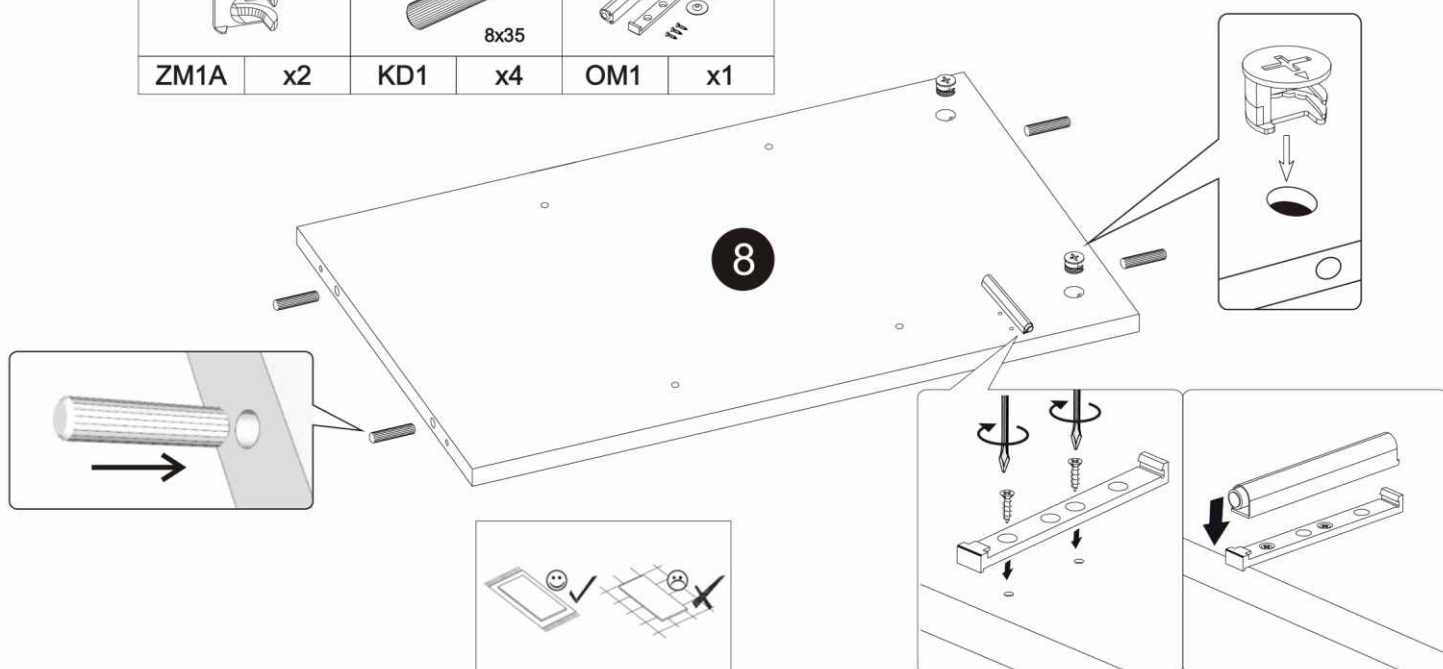
10

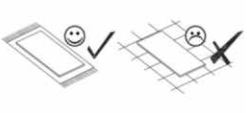

					
PQ3	x1	W11	3,5x16 x2	ZM1B	x1

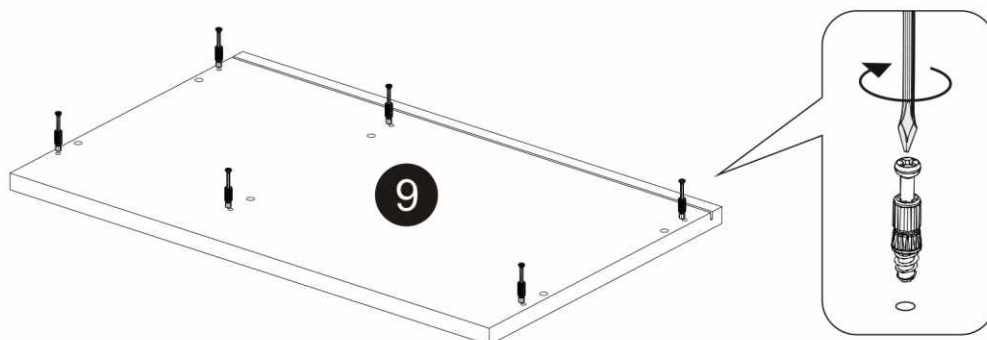





11

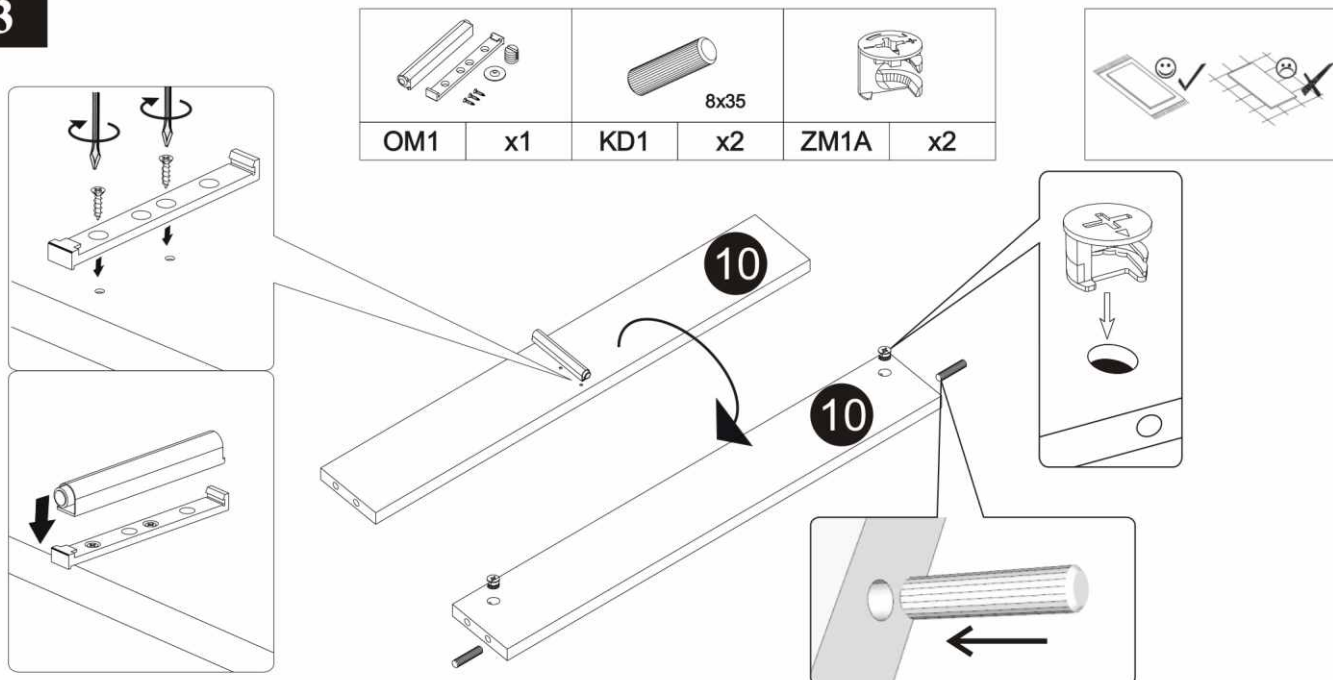
					
ZM1A	x2	KD1	x4	OM1	x1

**12**




			
ZM1B	x6		

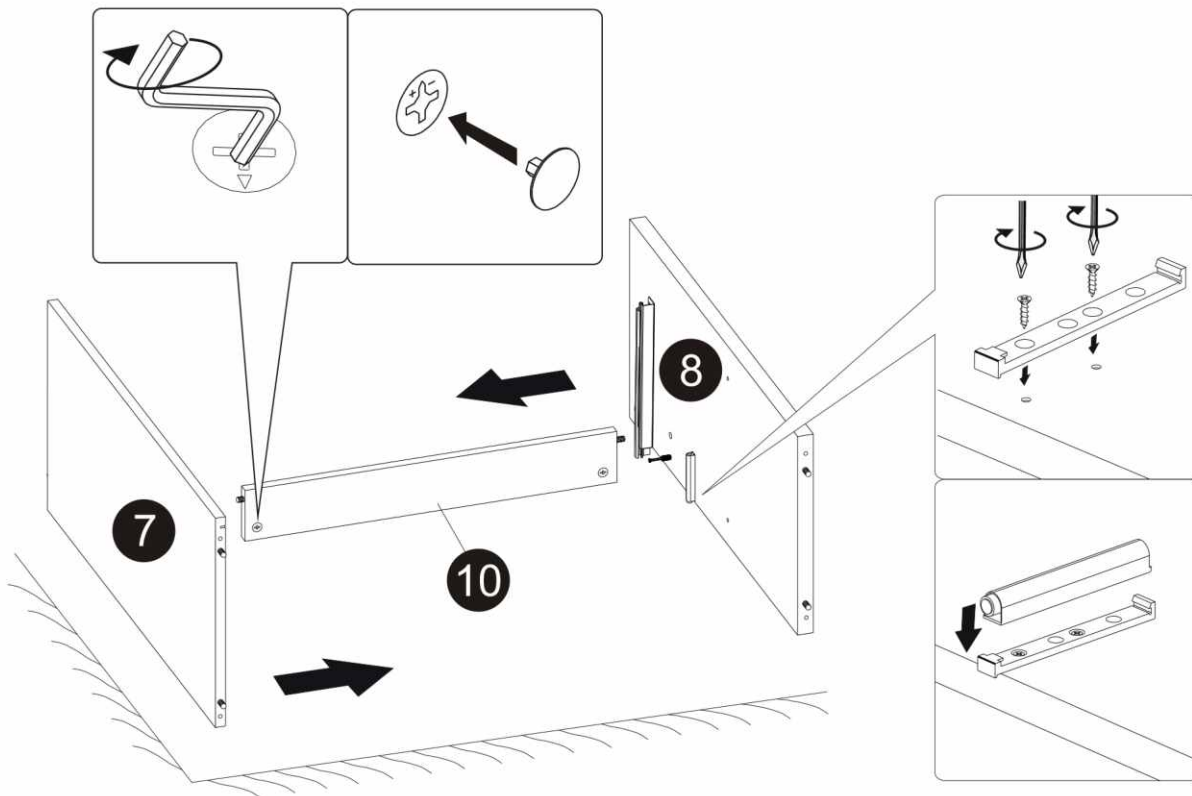
**13**

					
OM1	x1	KD1	x2	ZM1A	x2





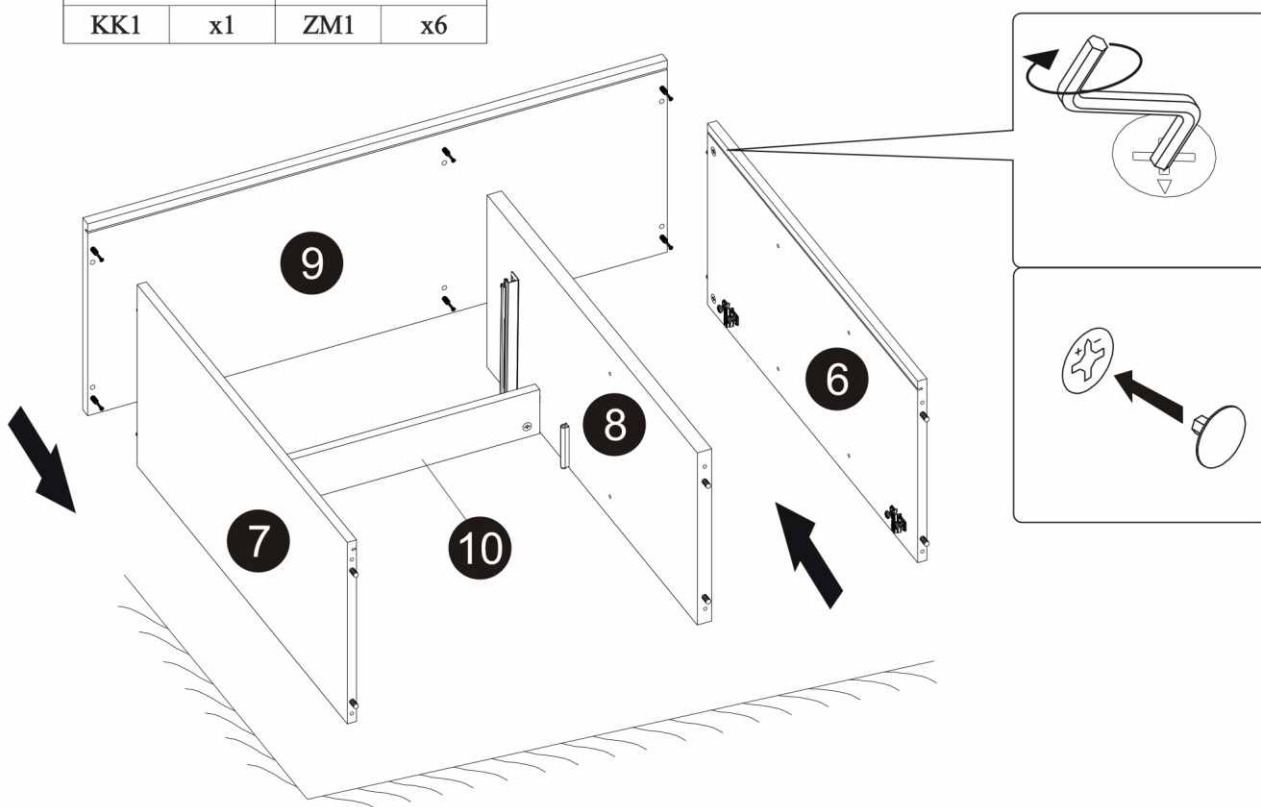
14

					
OM1	x1	KK1	x1	ZM1	x2

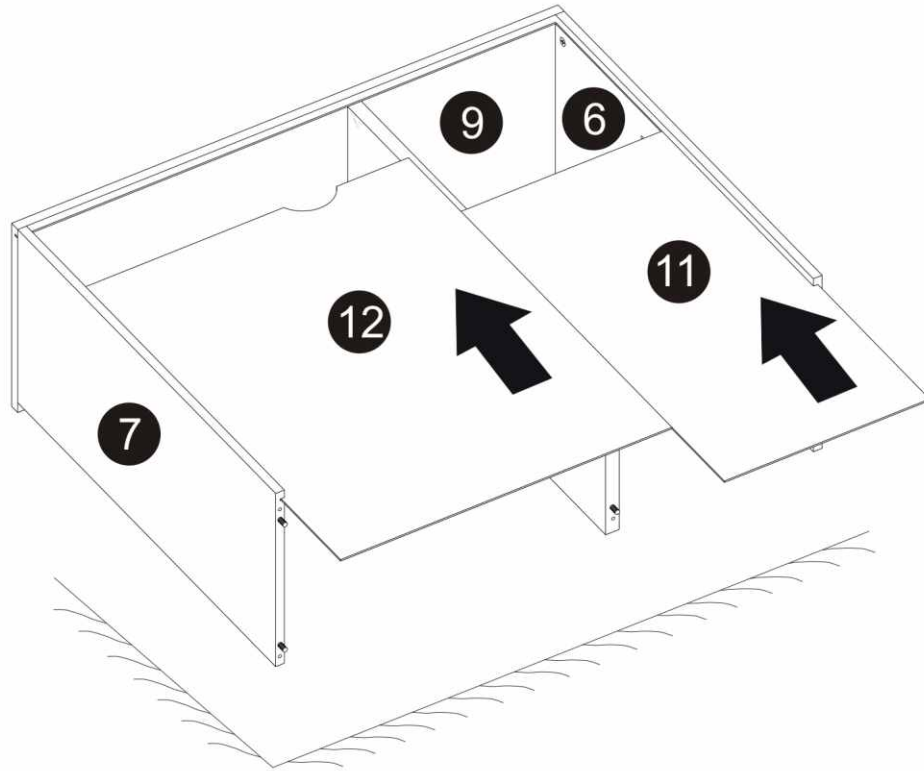


15



			
KK1	x1	ZM1	x6

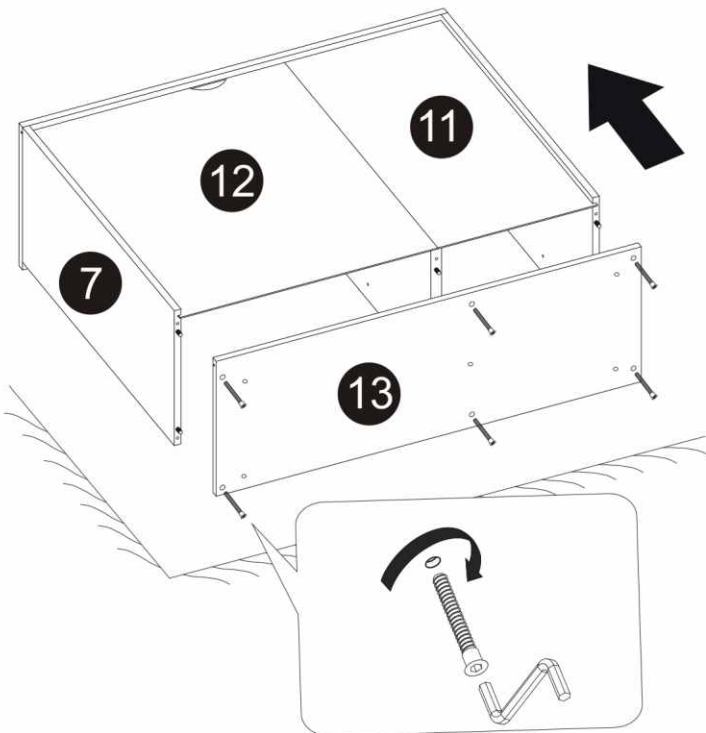


16





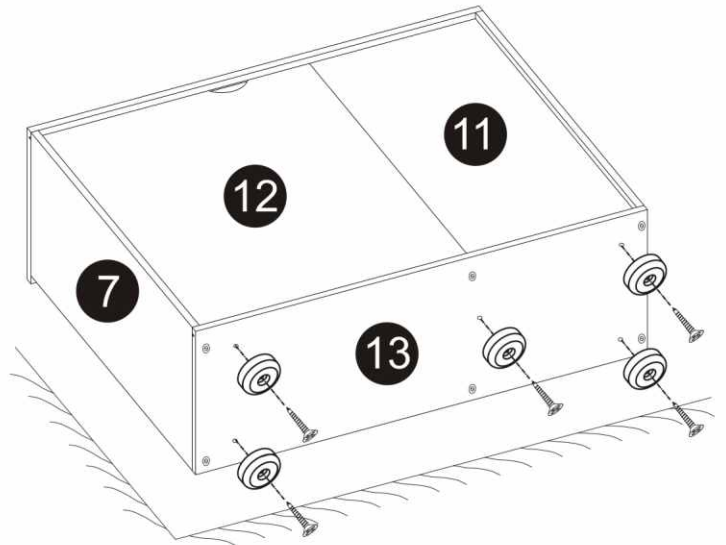
17

			7x50
KK1	x1	K1	x6


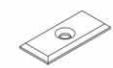


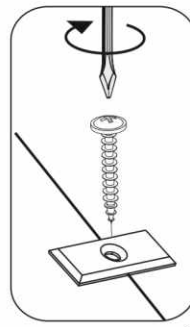
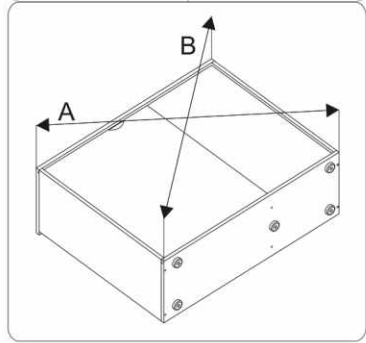
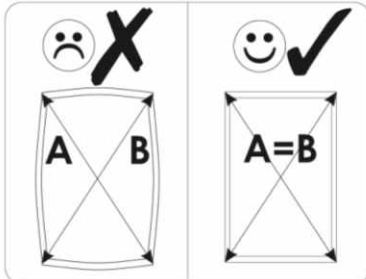
18

			4x20
SS4	x5	W1	x5



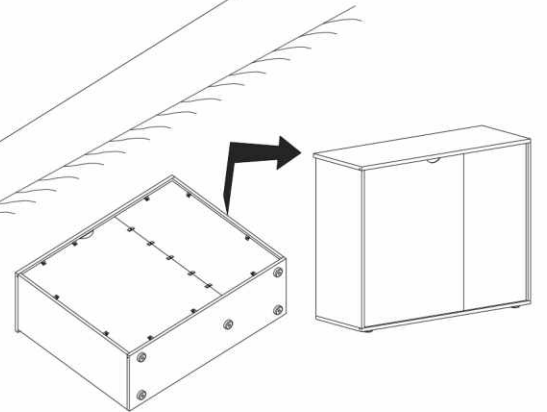
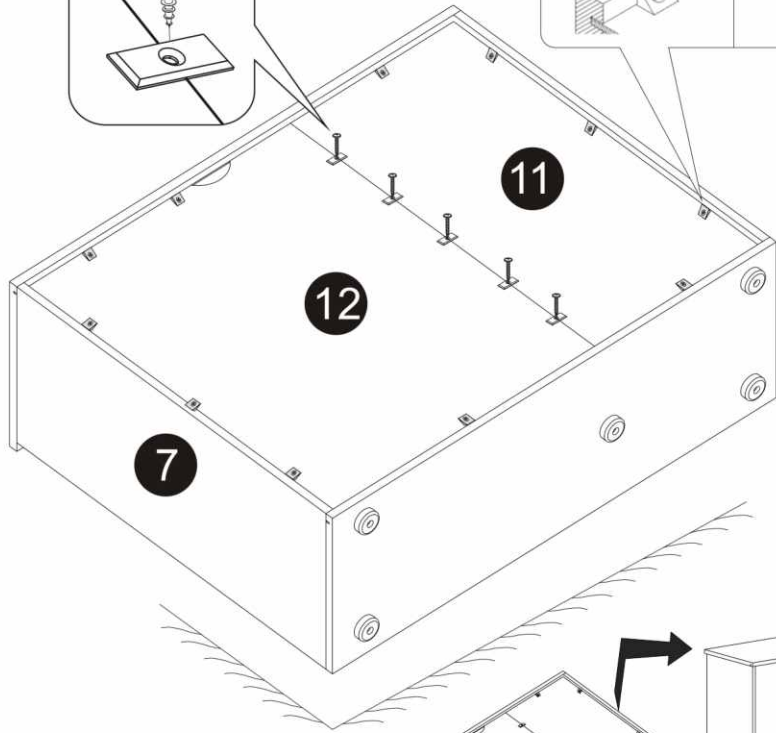
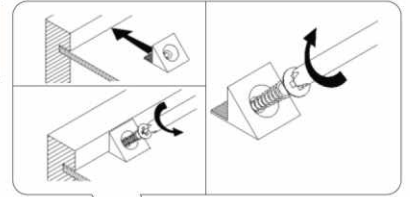
19


			
S1	x11	PL1	x5




II

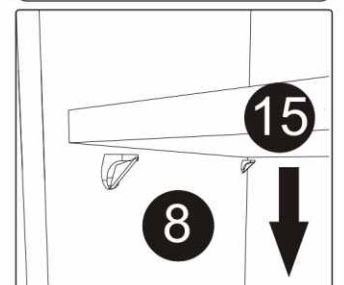
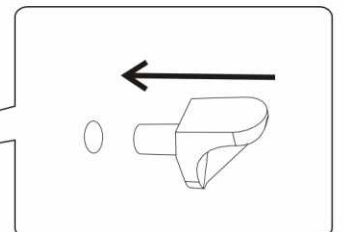
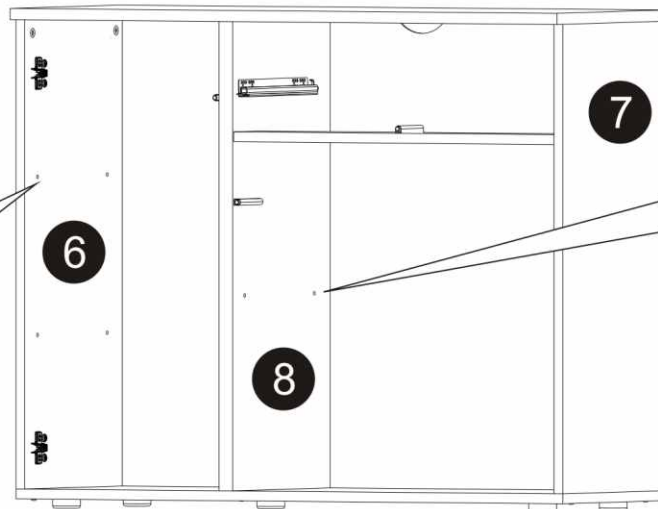
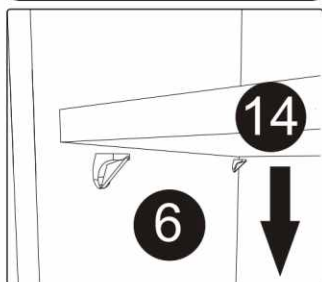
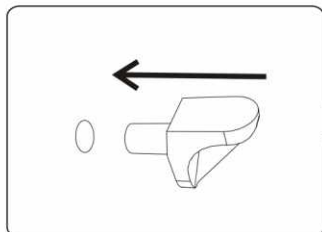
III






	
	3x16
W1	x5

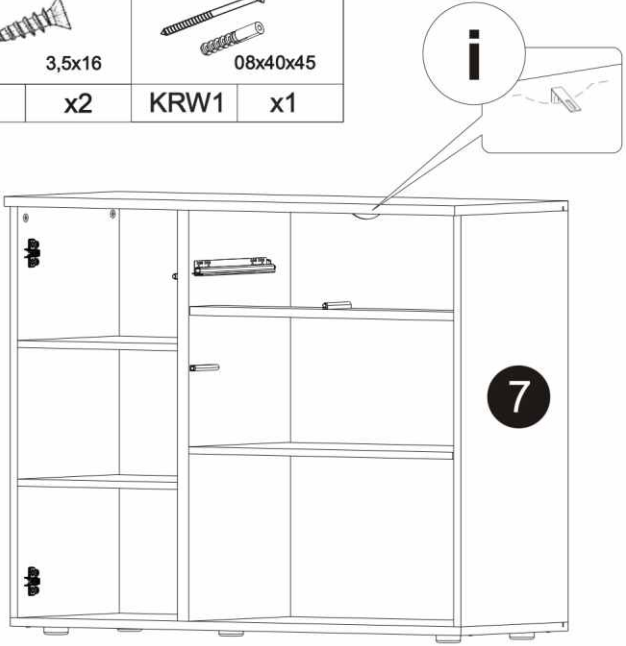
20

	
PP	x12

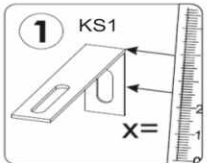
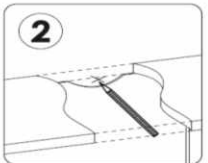
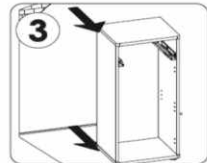
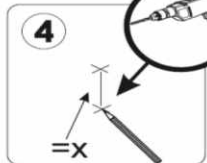
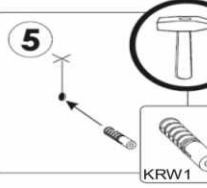
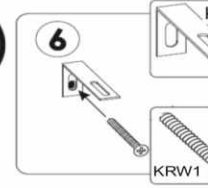
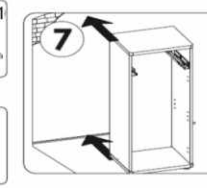
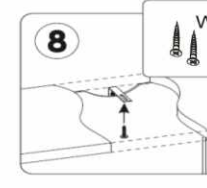


21




					
KS1	x1	W11	x2	KRW1	x1

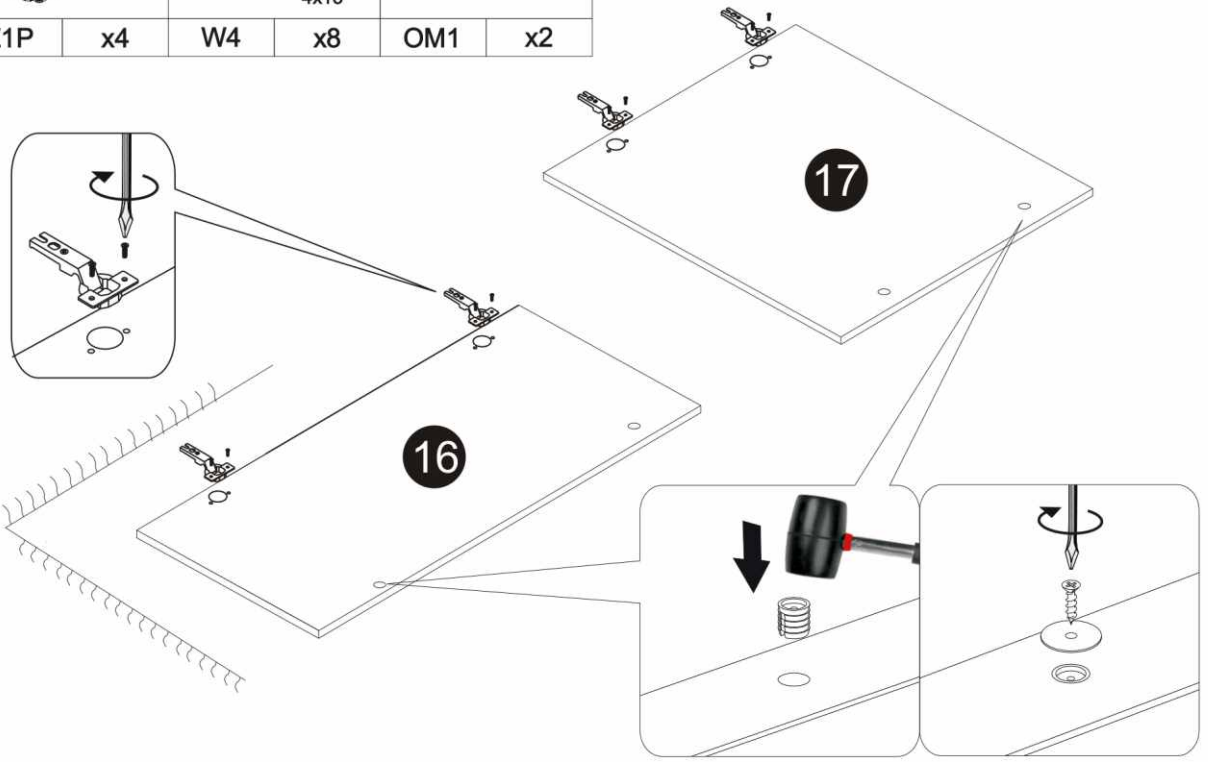


i

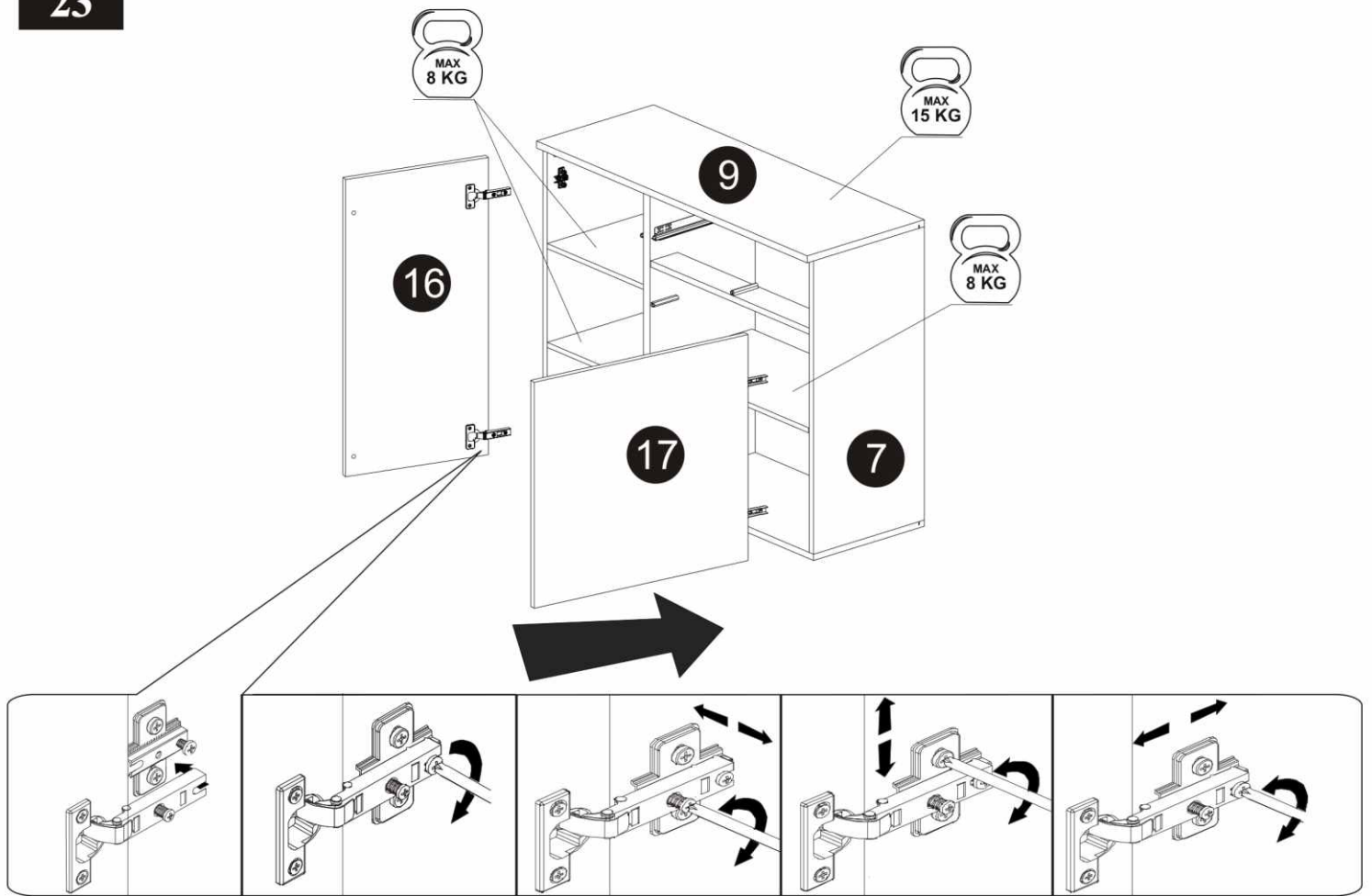
- 1 
- 2 
- 3 
- 4 
- 5 
- 6 
- 7 
- 8 

22

					
Z1P	x4	W4	x8	OM1	x2



23



24

