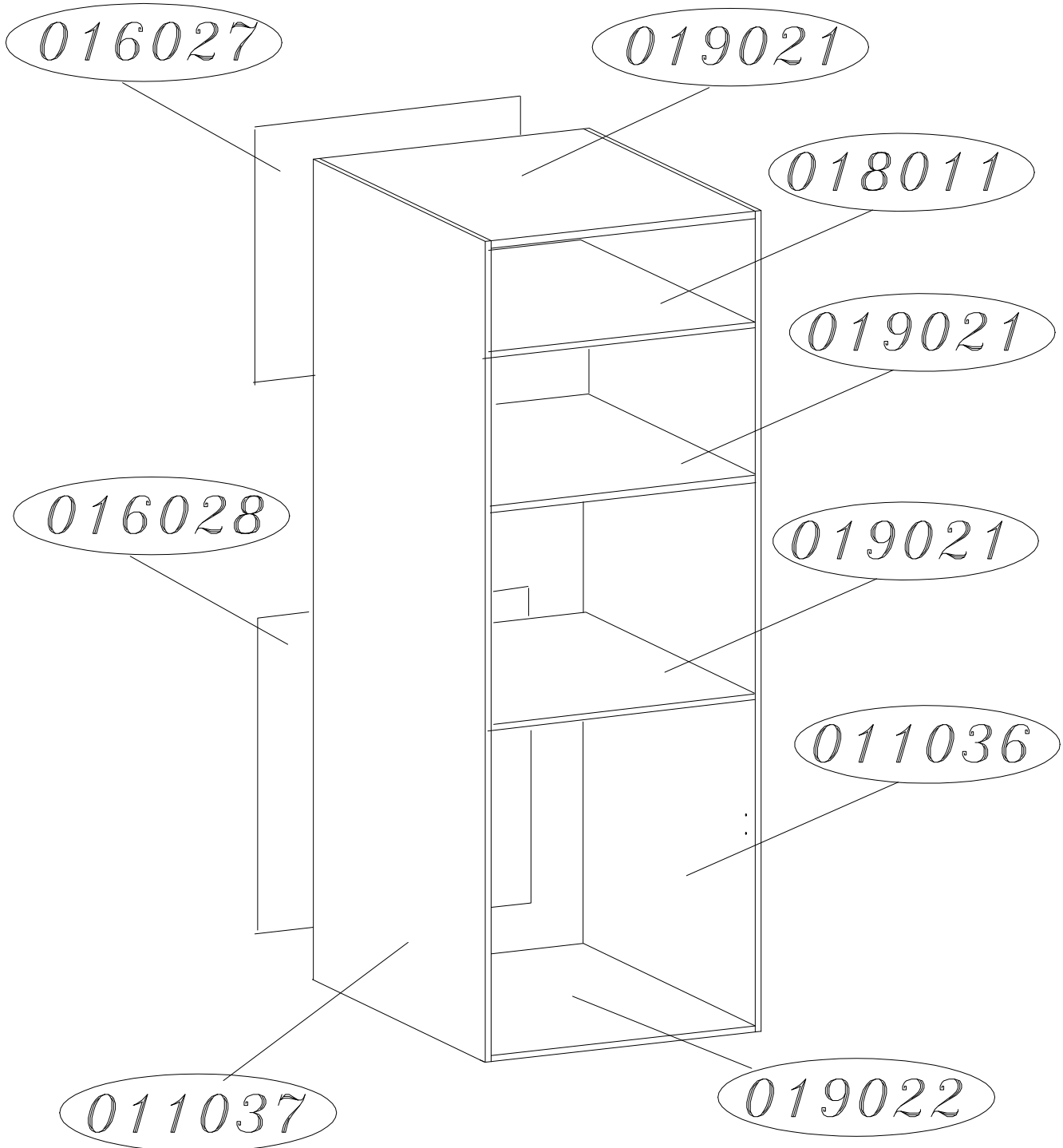
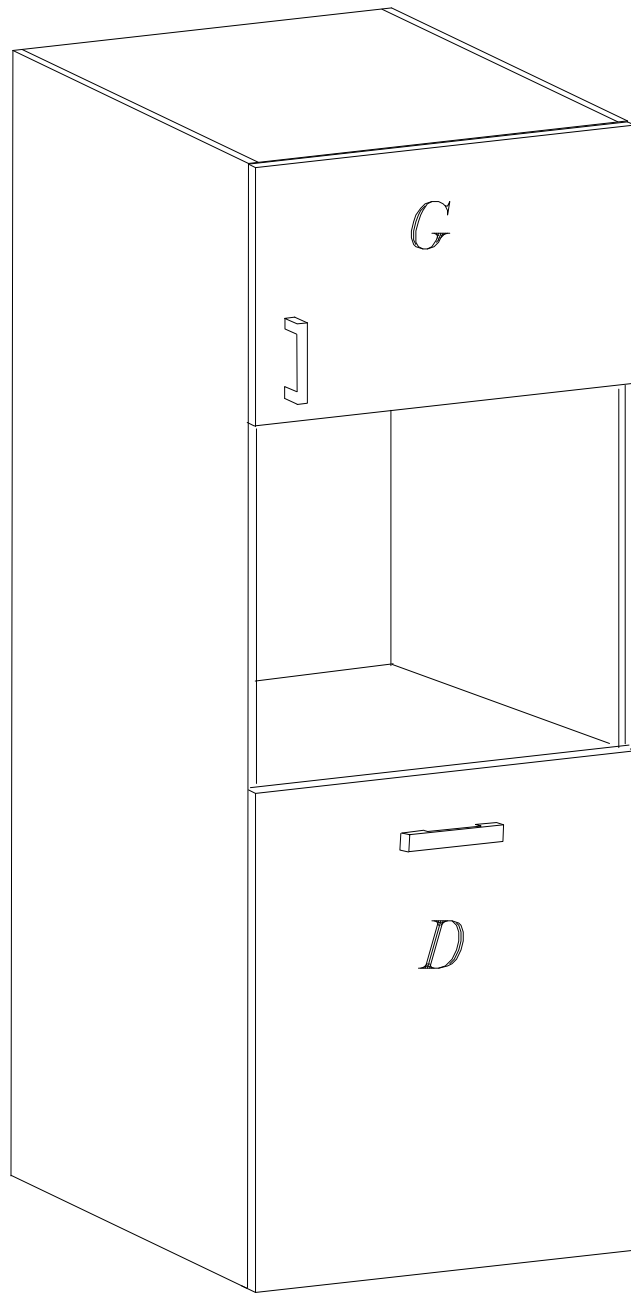
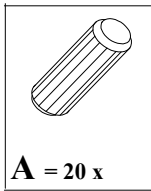


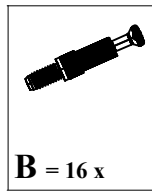
# ROYAL D60P



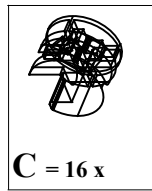




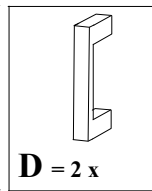
A = 20 x



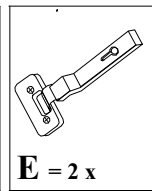
B = 16 x



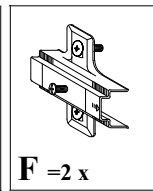
C = 16 x



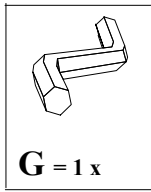
D = 2 x



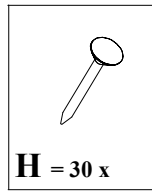
E = 2 x



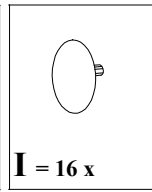
F = 2 x



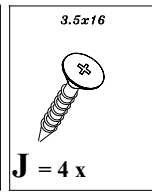
G = 1 x



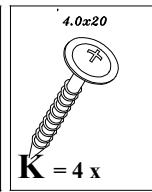
H = 30 x



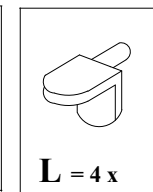
I = 16 x



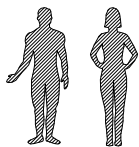
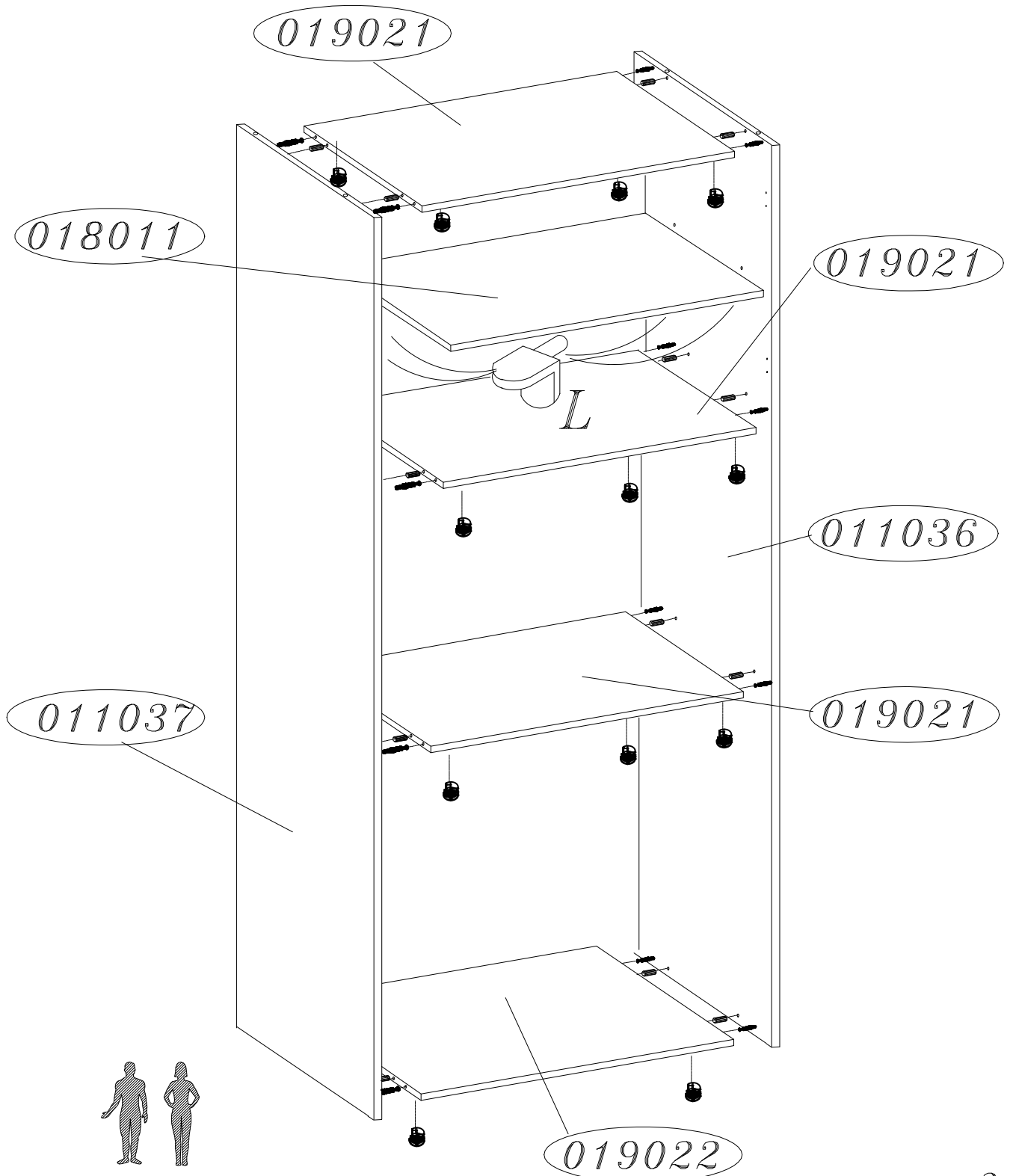
J = 4 x

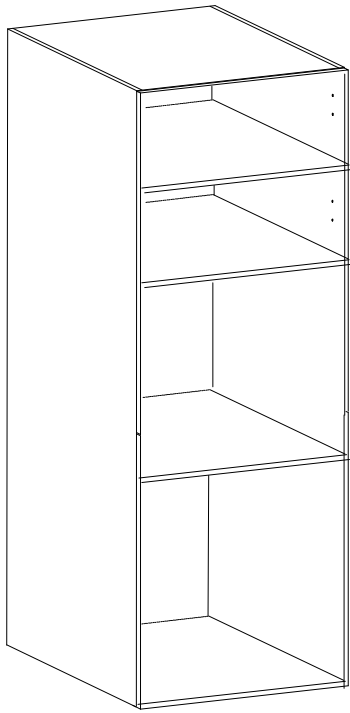


K = 4 x

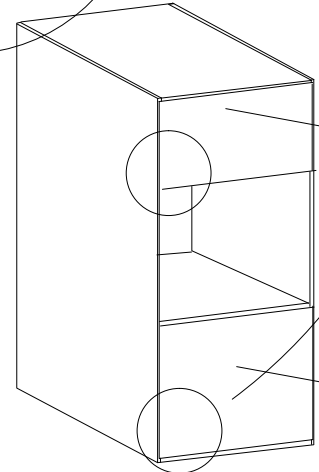
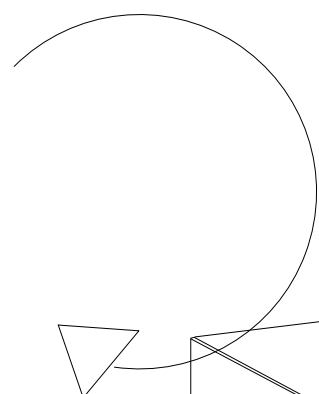
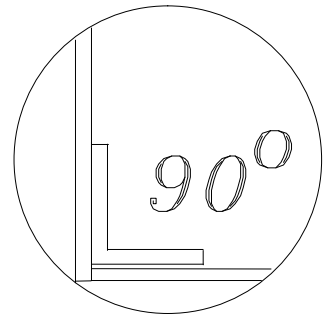


L = 4 x





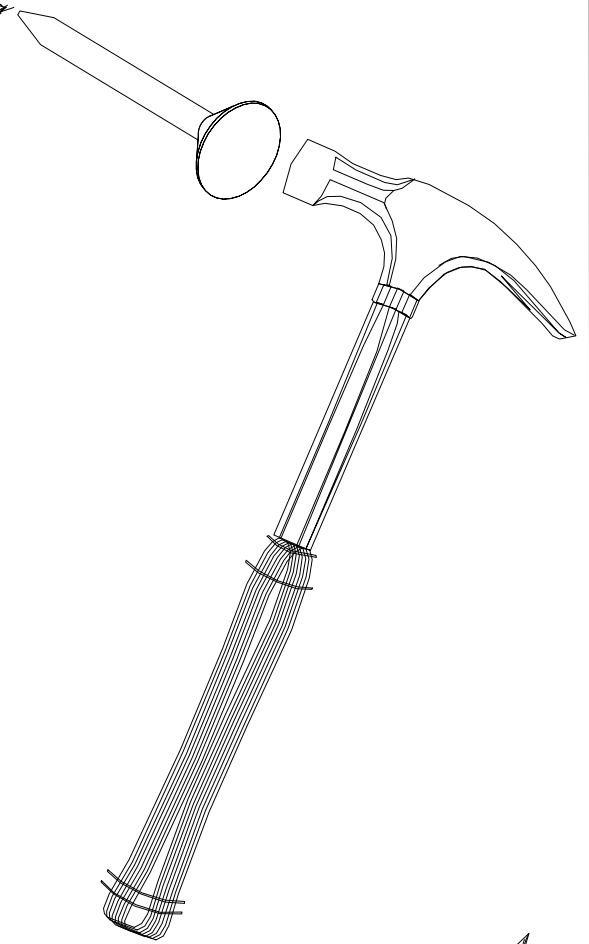
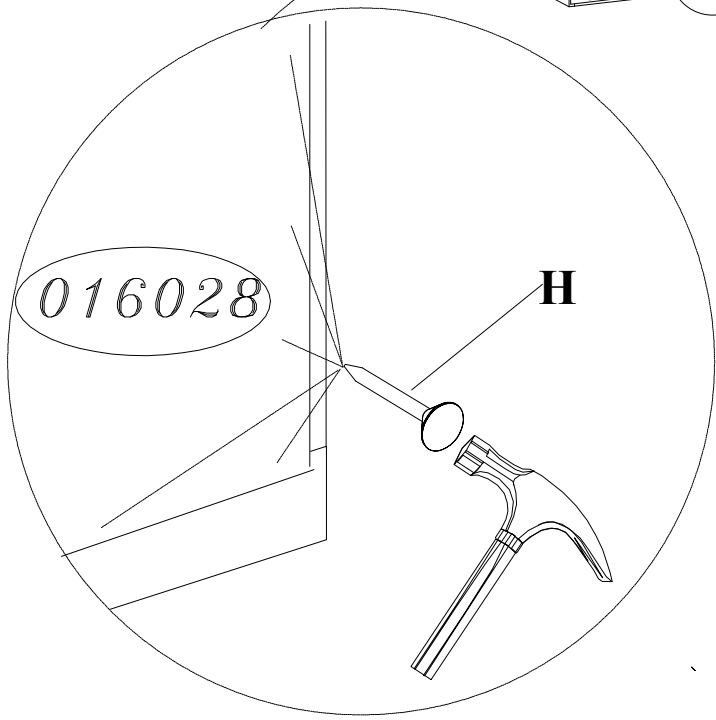
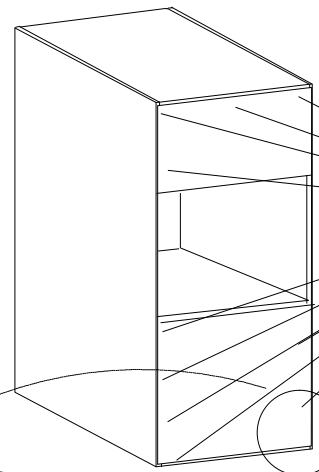
**I**

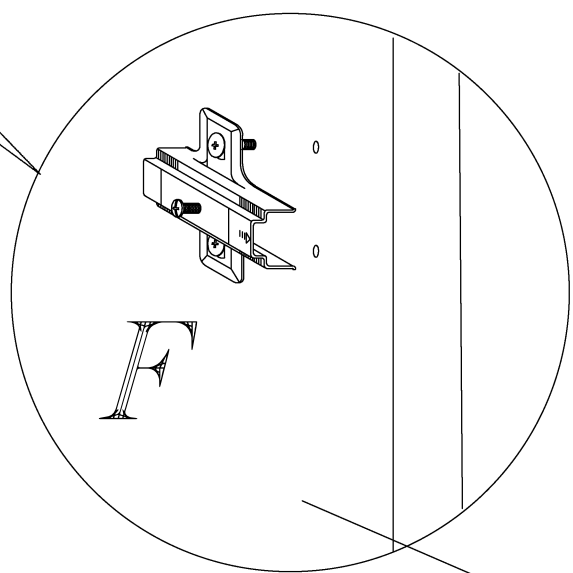
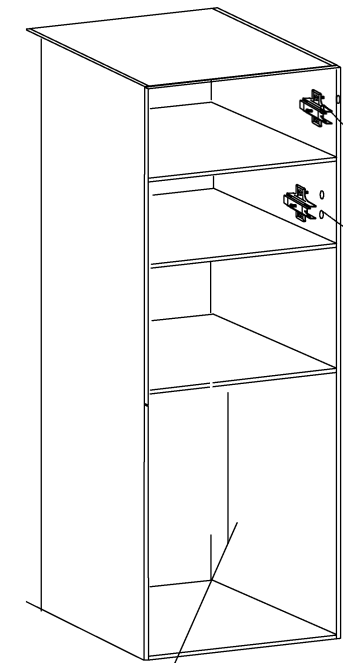


016027

016028

**II**





011036

