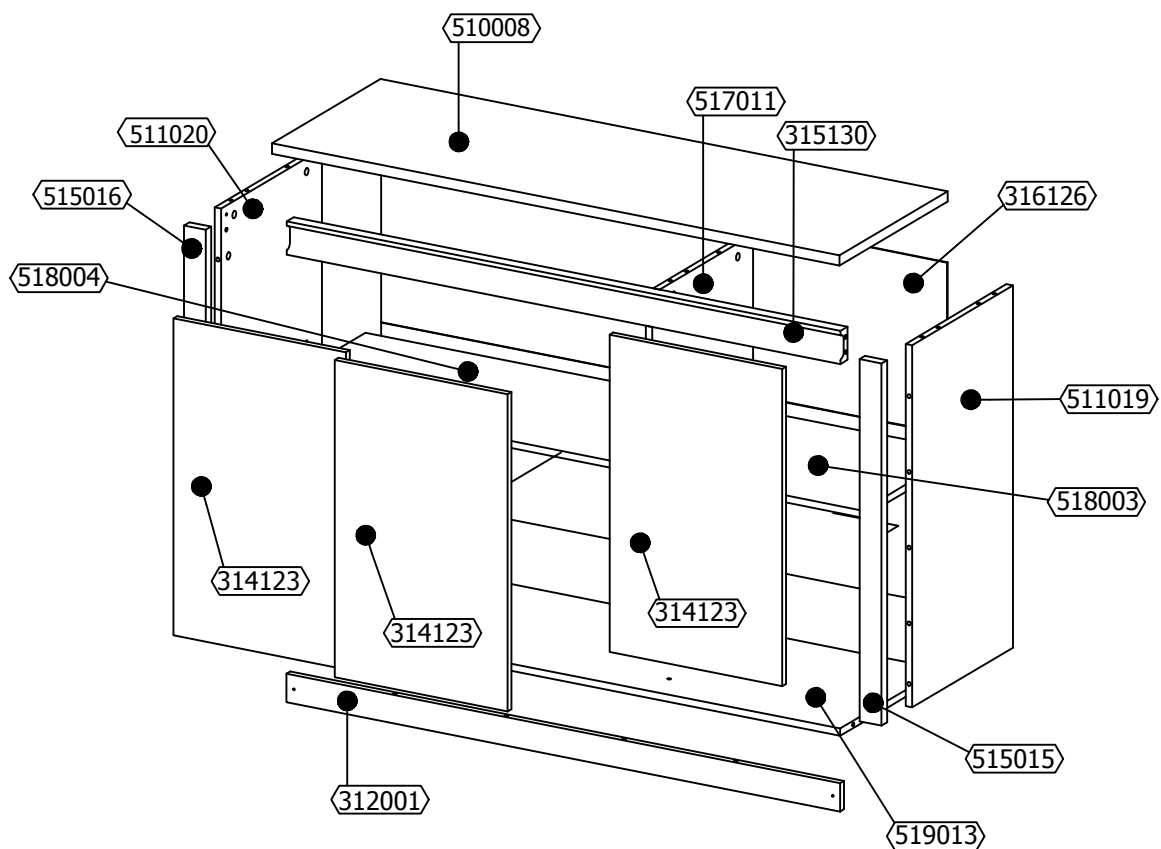
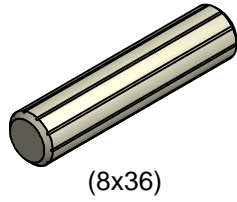


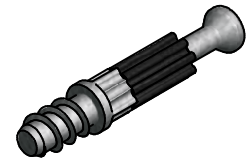
MONTANA K3D



A x 20



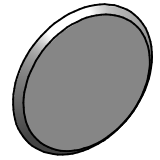
B x 18



C x 18



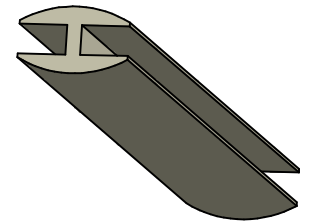
D x 18



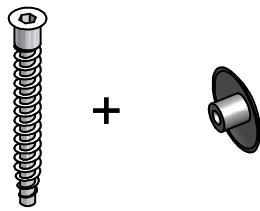
E x 40



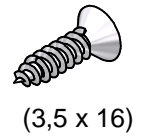
F x 1



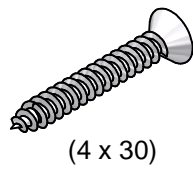
G x 2



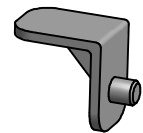
H x 12



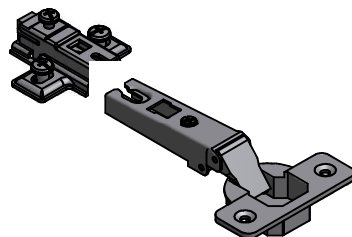
K x 2



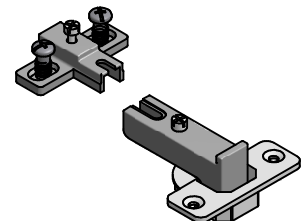
O x 8



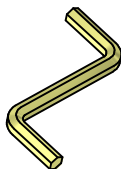
T/T1 x 2



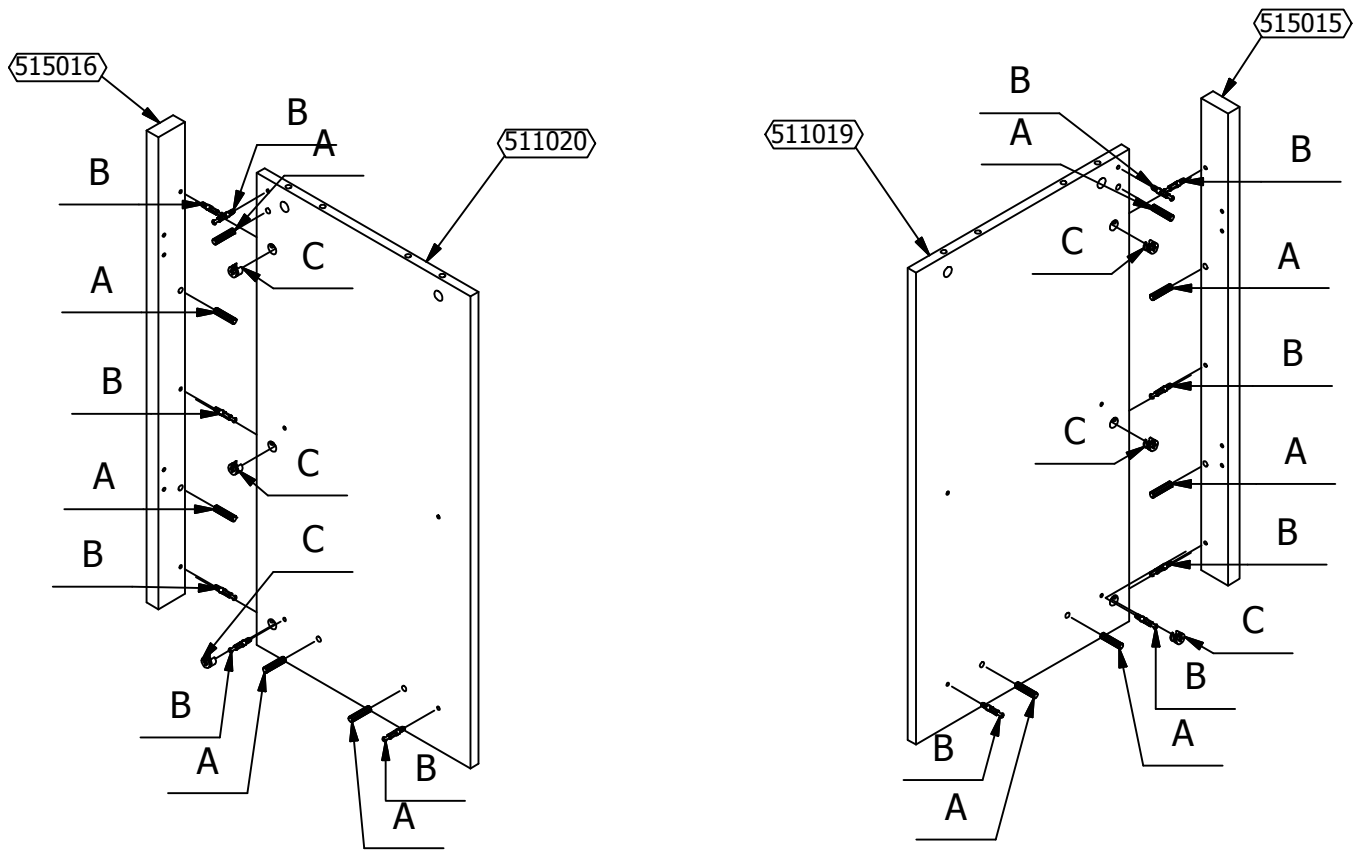
U/U1 x 4



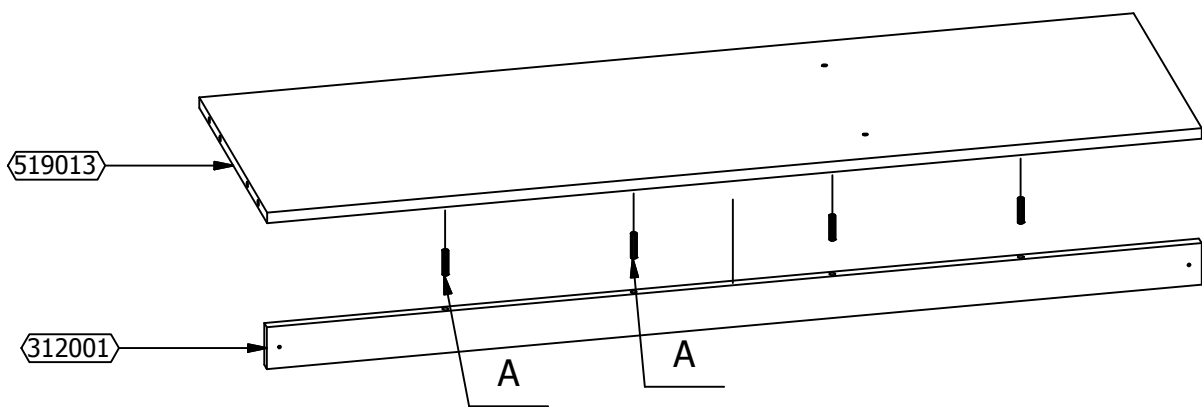
Z x 1



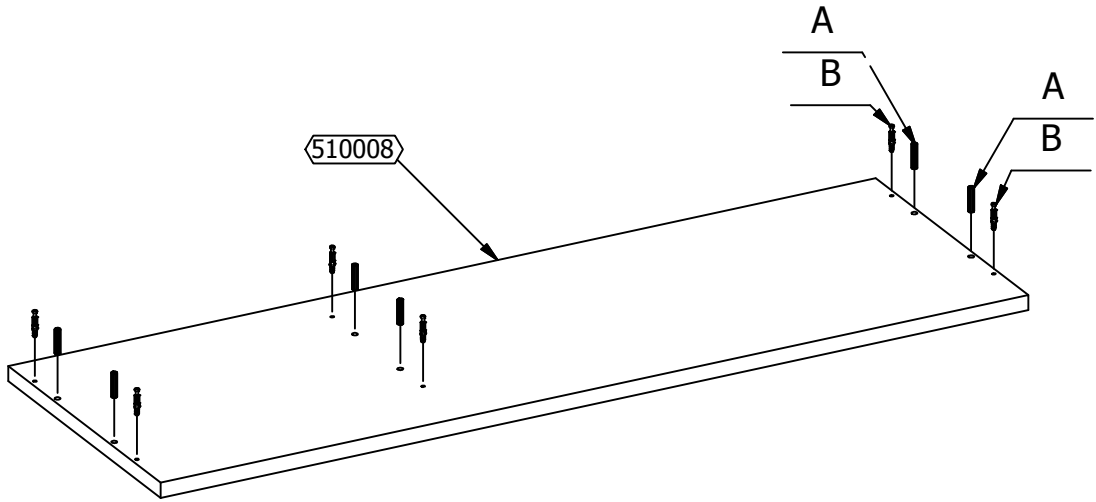
1



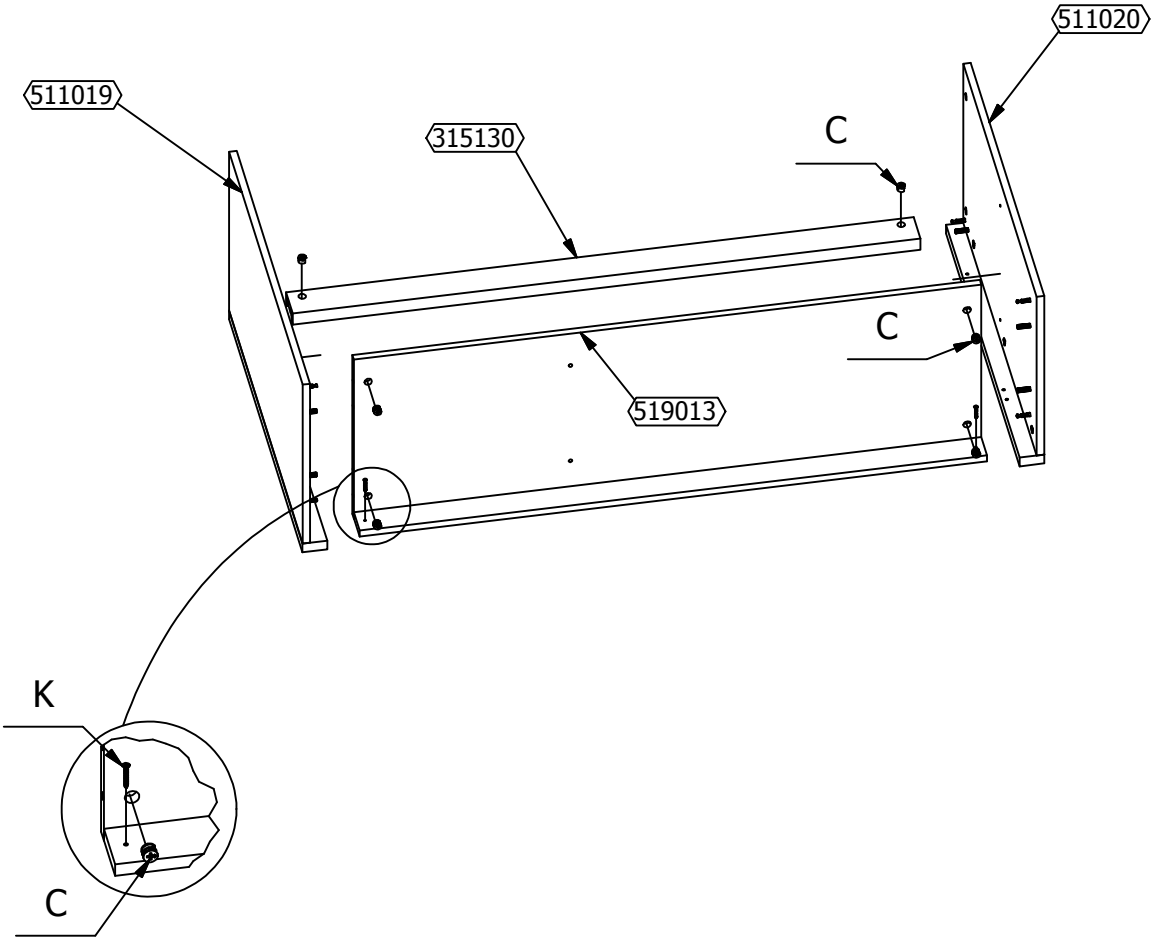
2



3

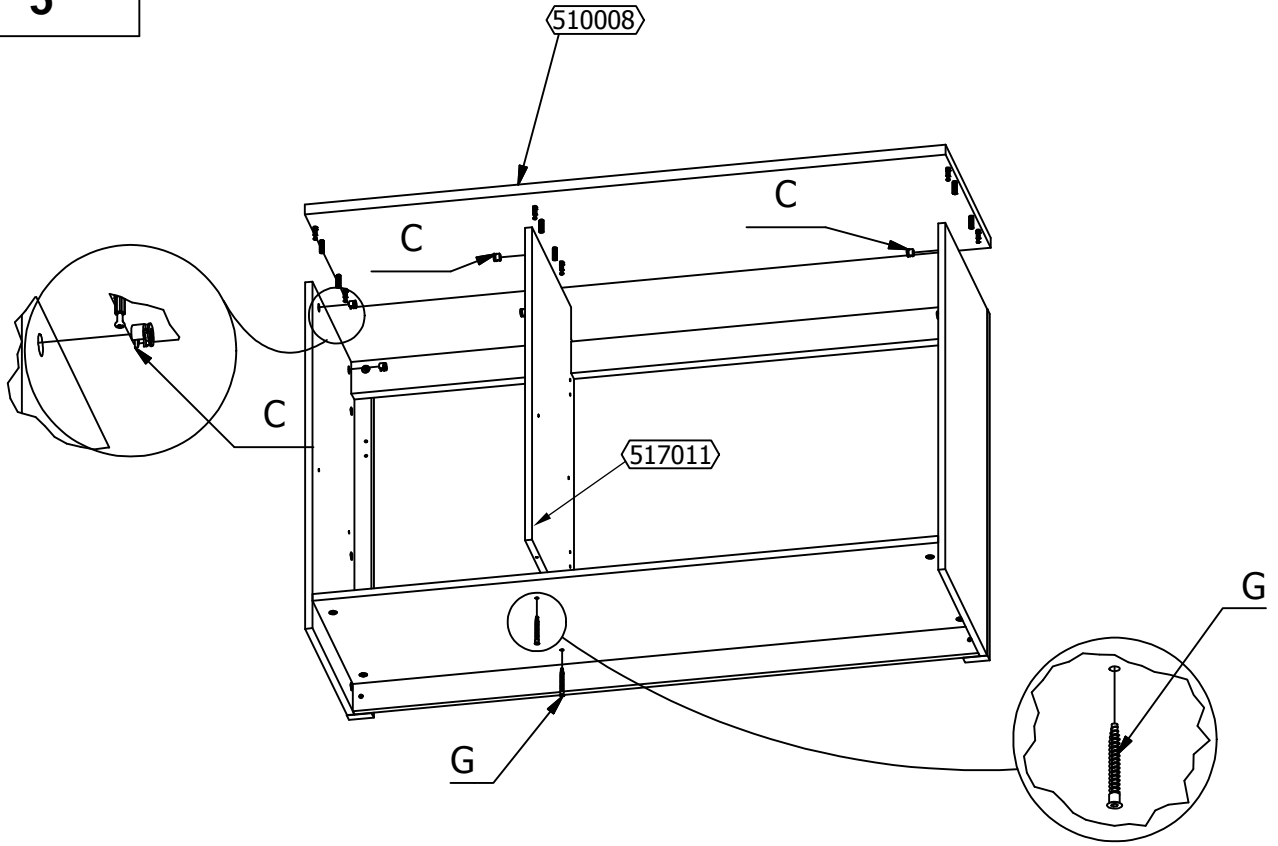


4

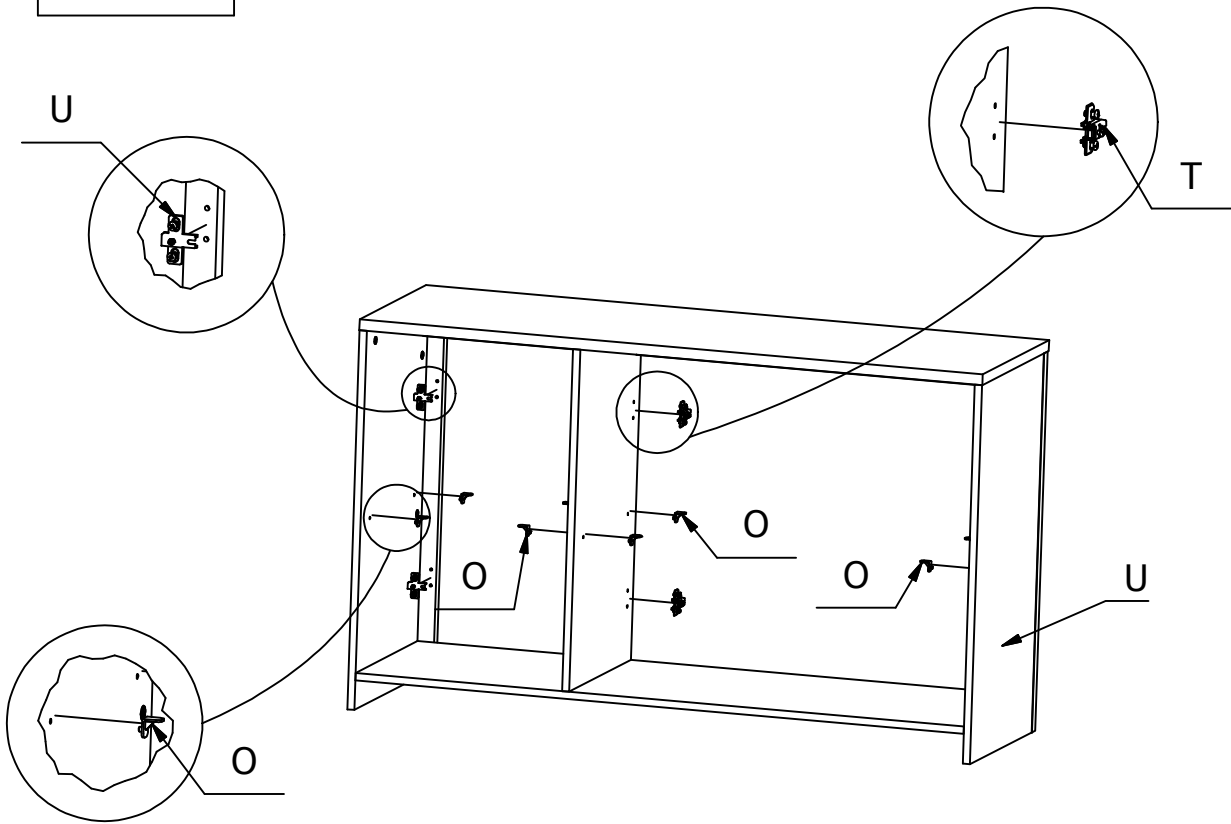


4

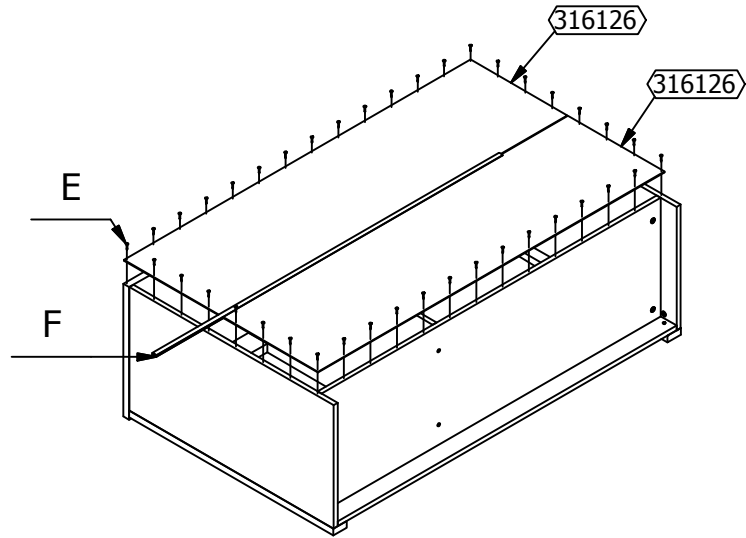
5



6



7



8

