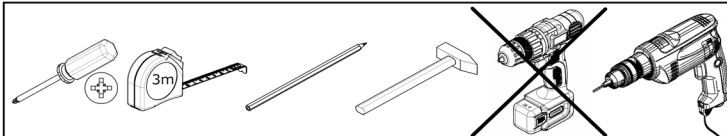
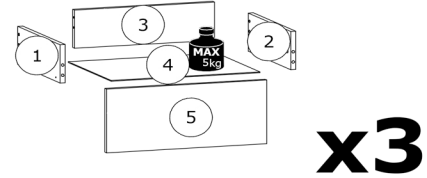
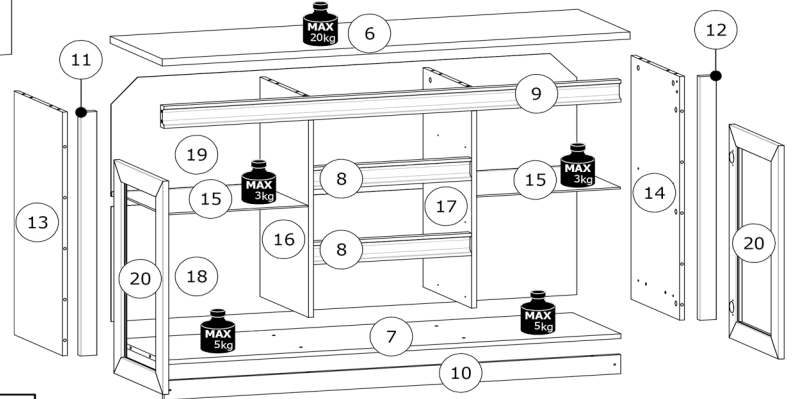
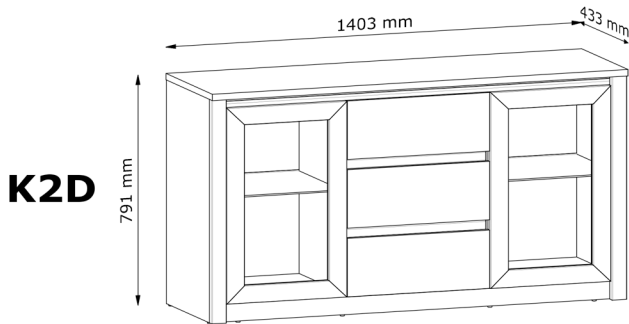
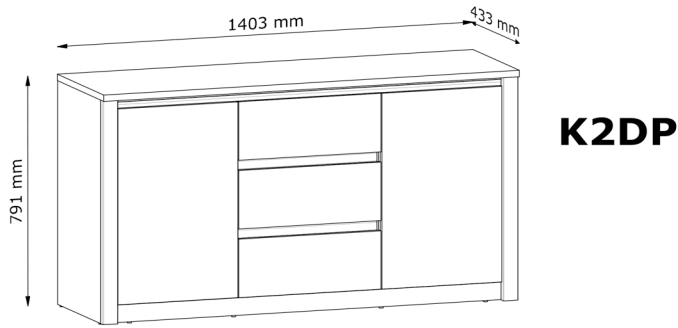
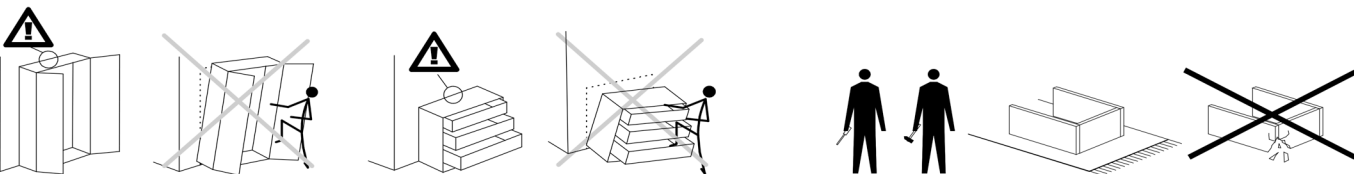


MONTANA

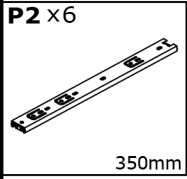
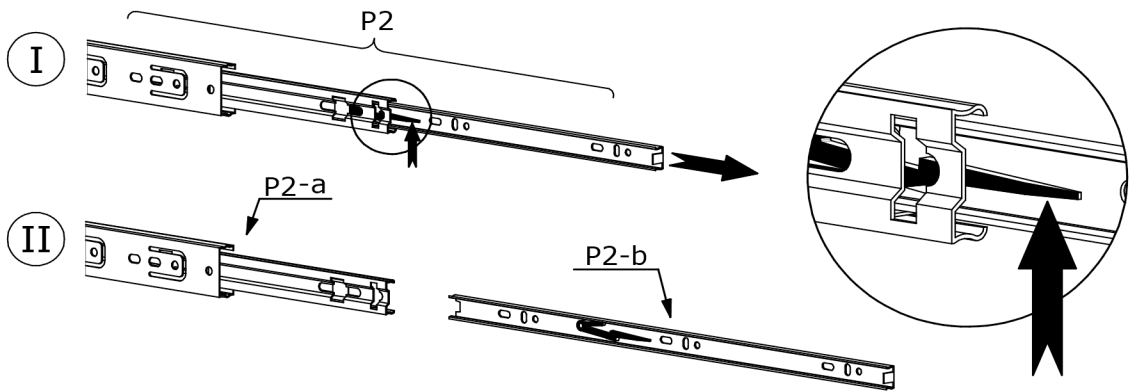
K2DP / K2D



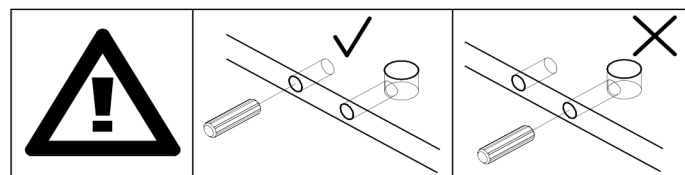
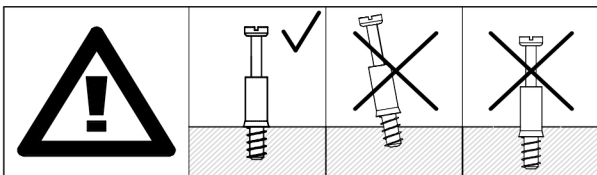
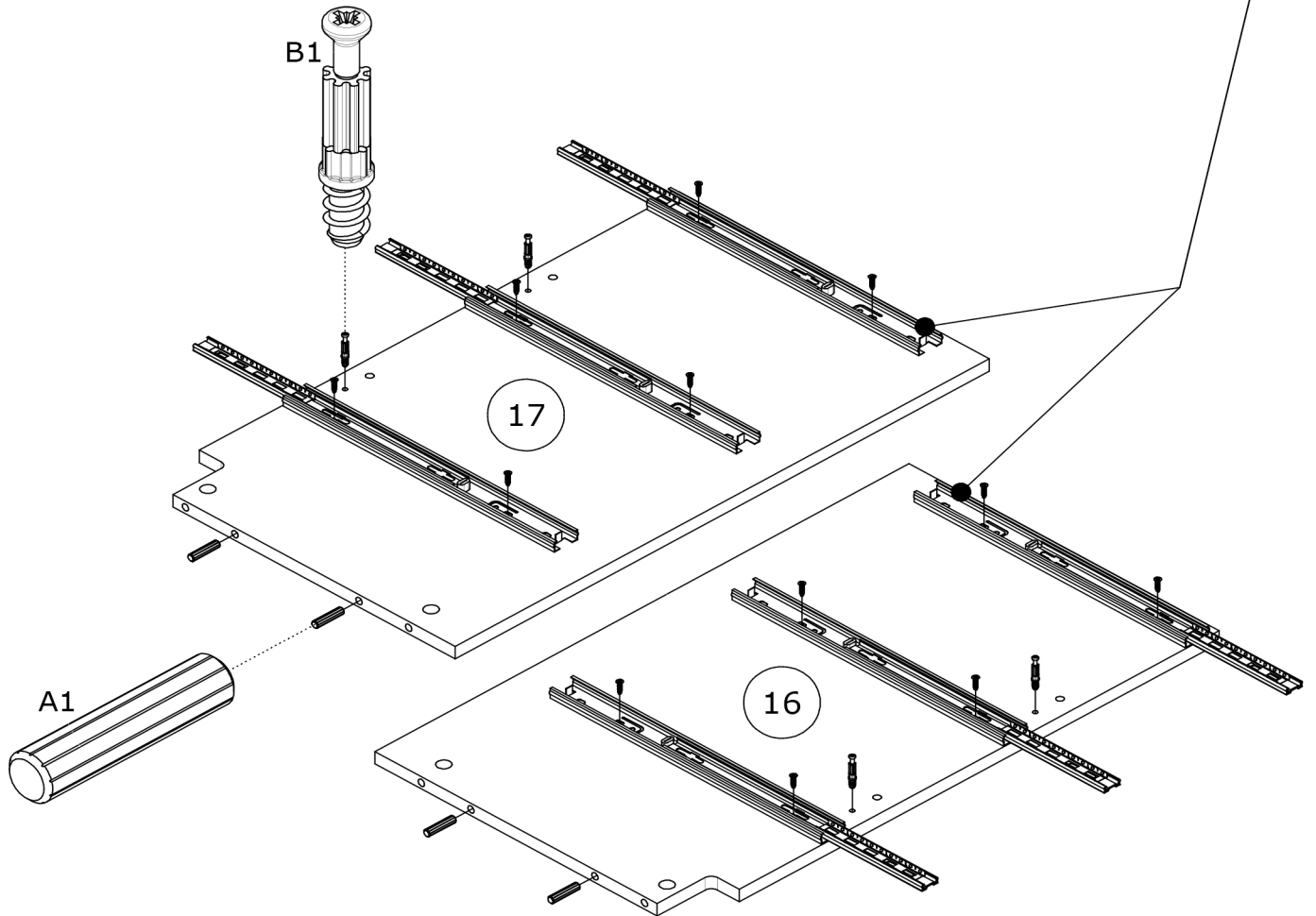
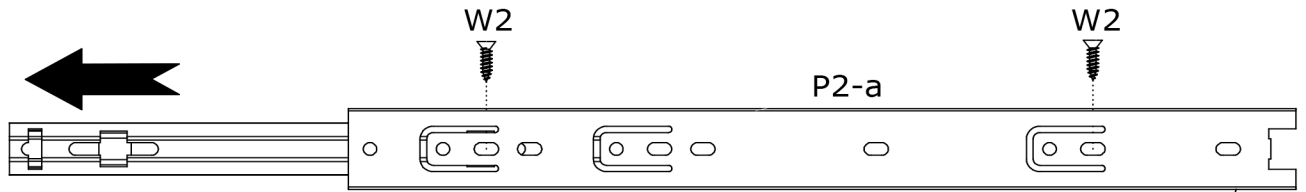
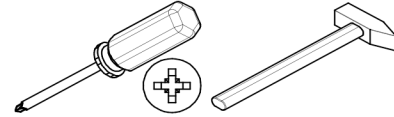
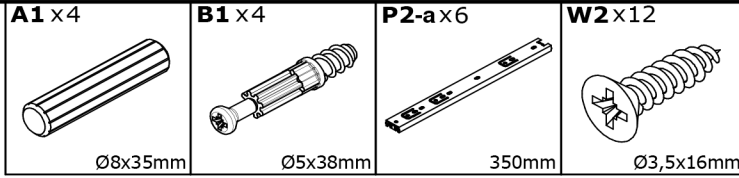
A1 x 32 Ø8x35mm	B1 x 30 Ø5x38mm	C1 x 30 Ø15x12mm	E1 x 8 Ø5x16mm	E9 x 8 Ø5x16mm
H7 x 1 1395mm	G1 x 80 26mm	J x 14 Ø21mm	K1 x 16 Ø6,4x50mm	N2 x 1 4mm HEX
P2 x 6 350mm	T4 x 2 75x28x16 mm	W2 x 42 Ø3,5x16mm	W5 x 2 Ø4x30mm	Y1 x 10 Ø8x1,5mm
Y5 x 8 Ø15x20mm	Z6 x 4 Ø35mm, 90°			



1

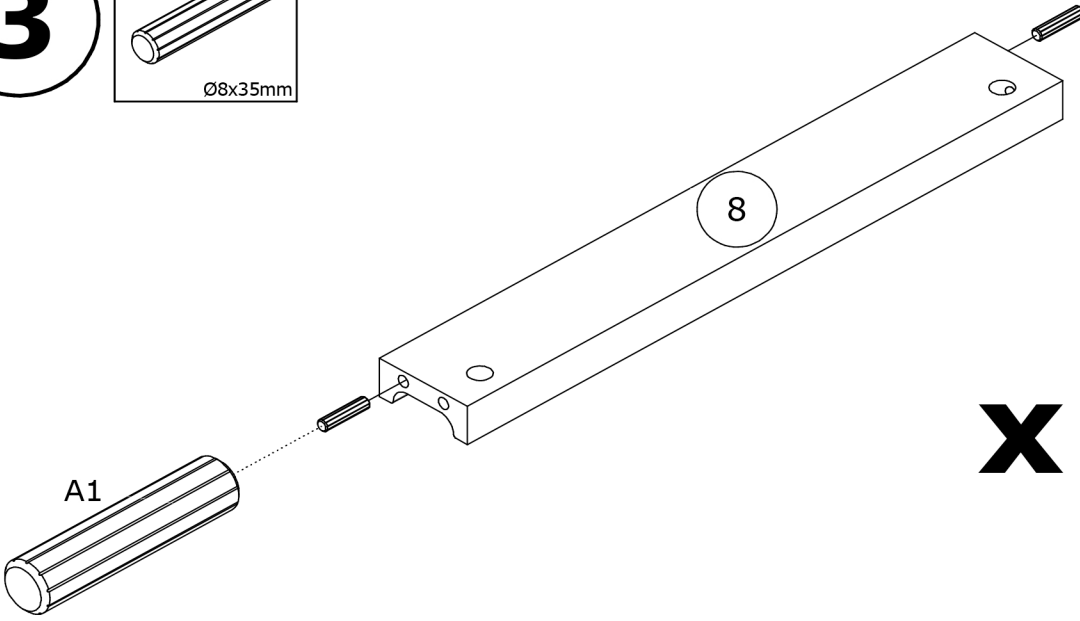


2



3

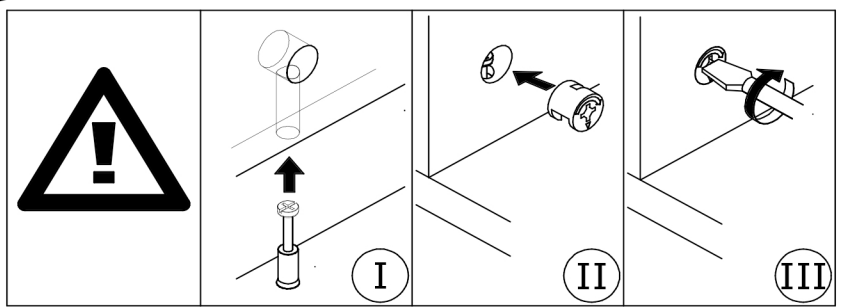
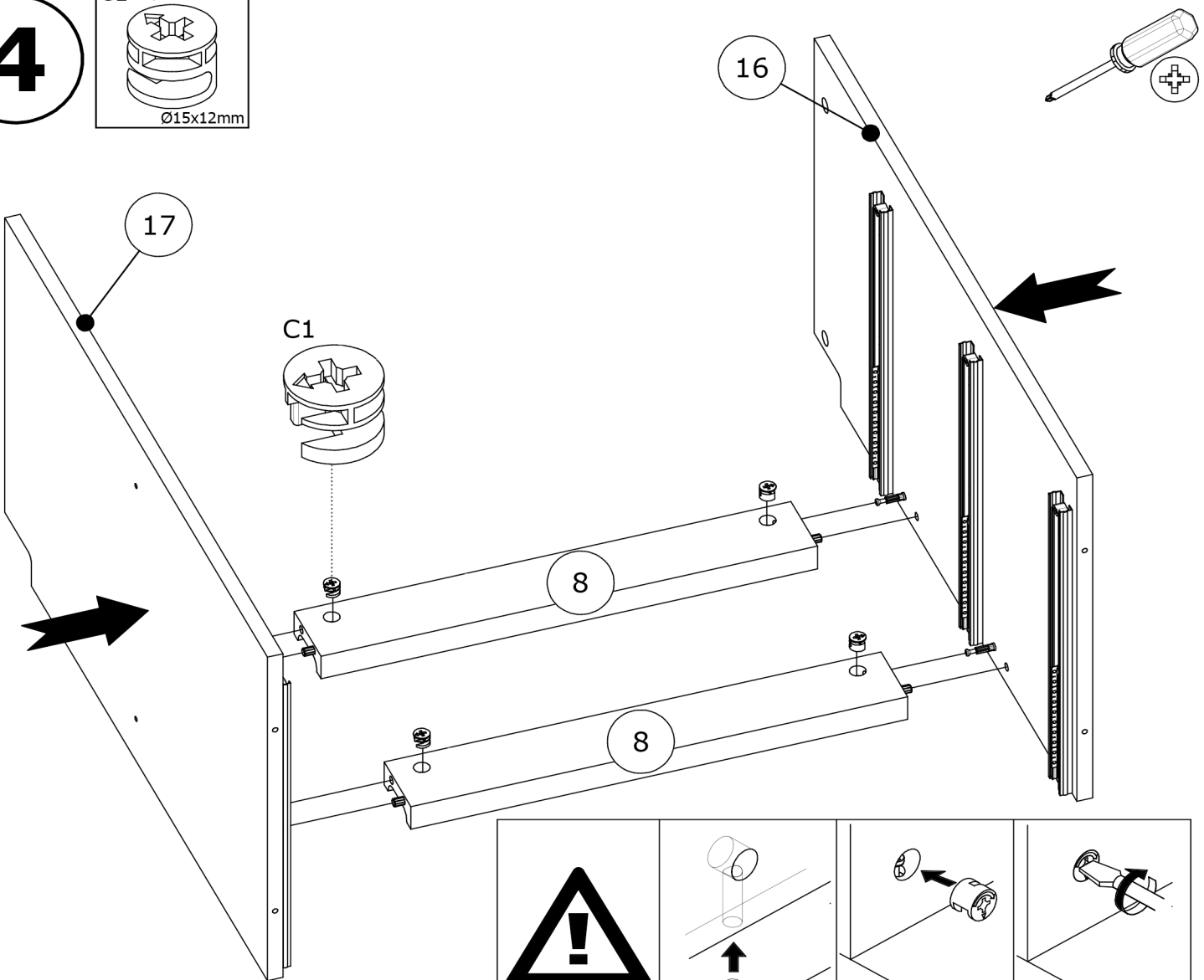
A1 x4
Ø8x35mm



x2

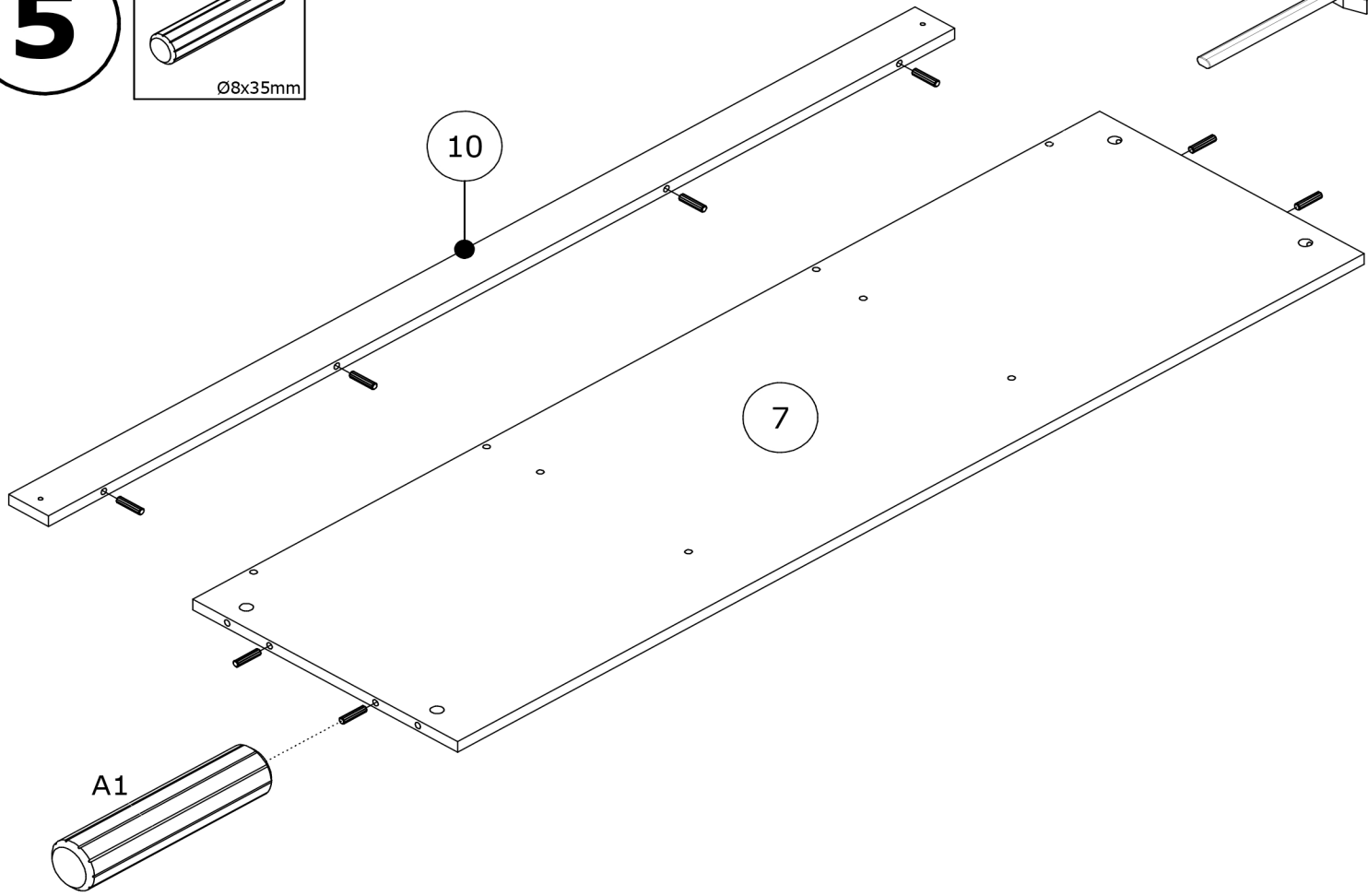
4

C1 x4
Ø15x12mm

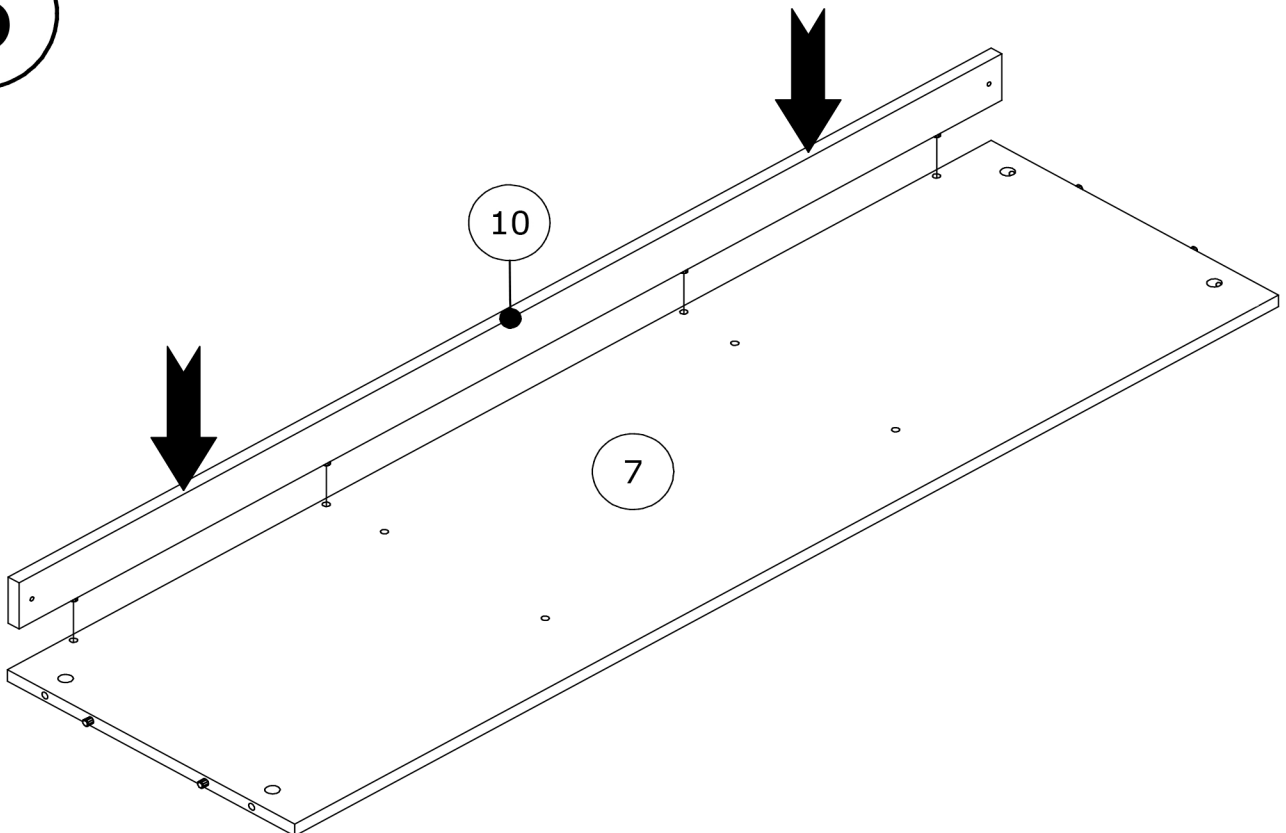


5

A1 x 8
Ø8x35mm

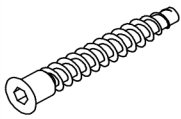


6

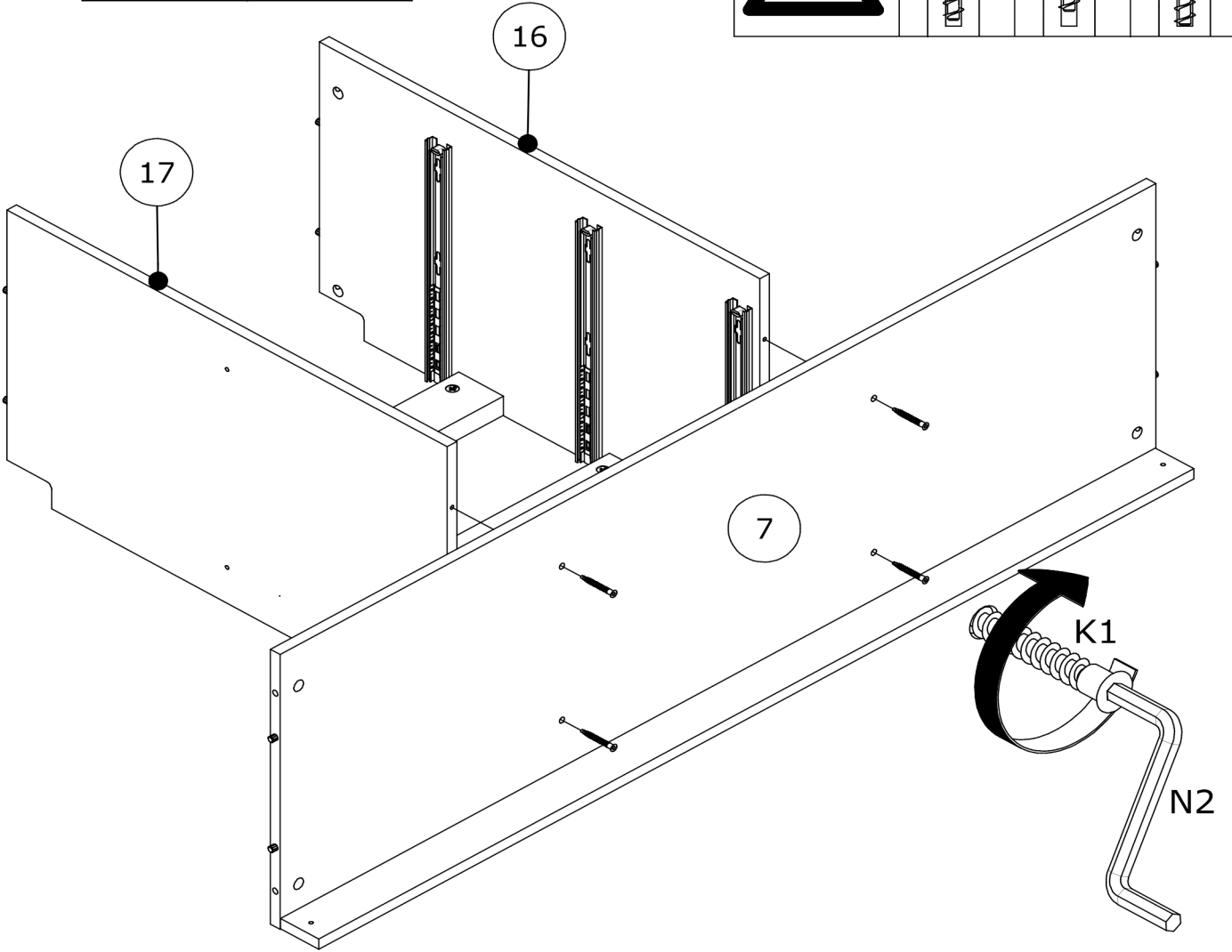
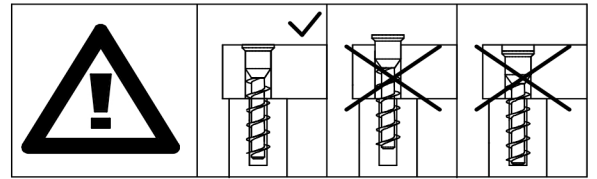
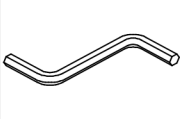


7

K1 x 4

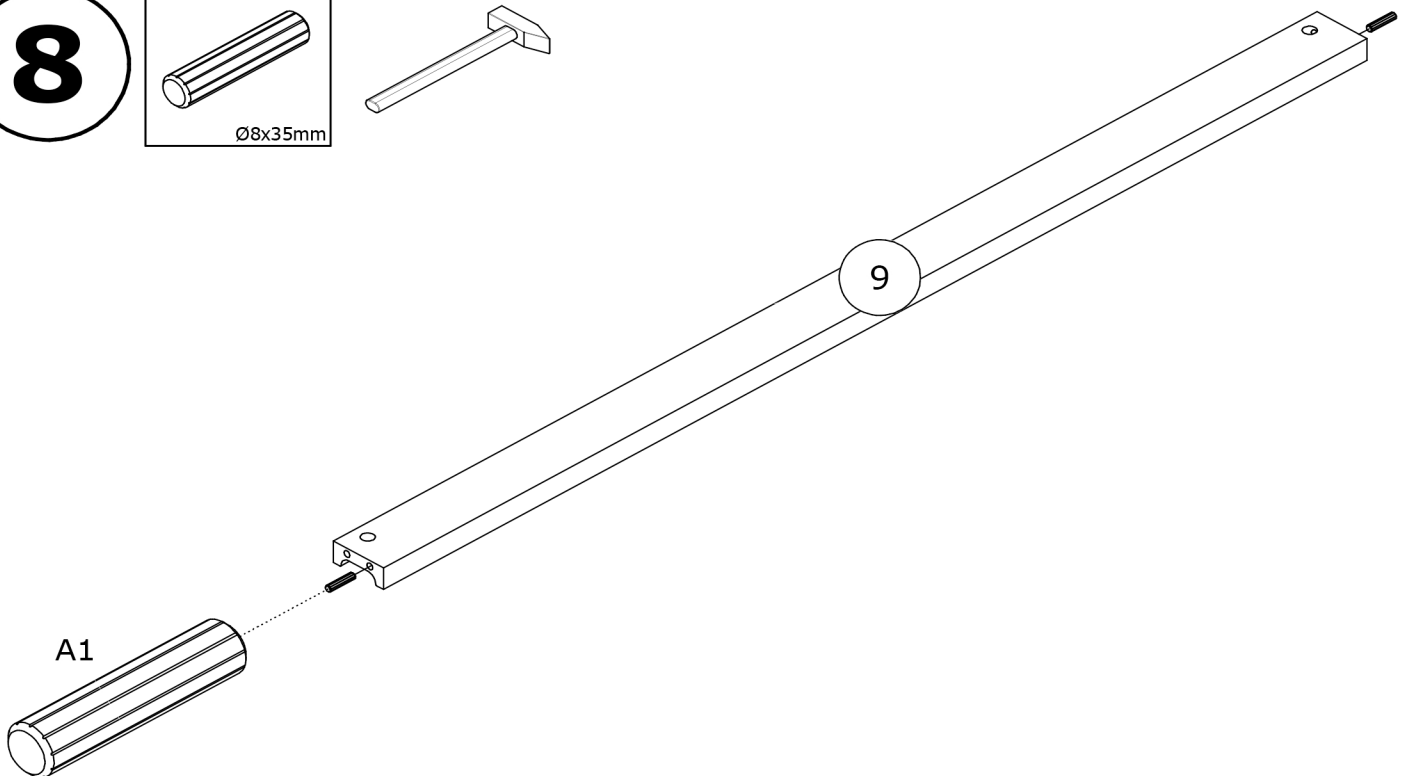
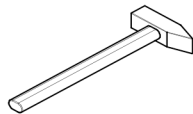
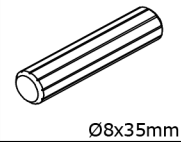


N2 x 1



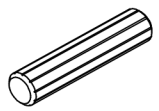
8

A1 x 2



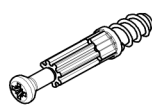
9

A1 x 8

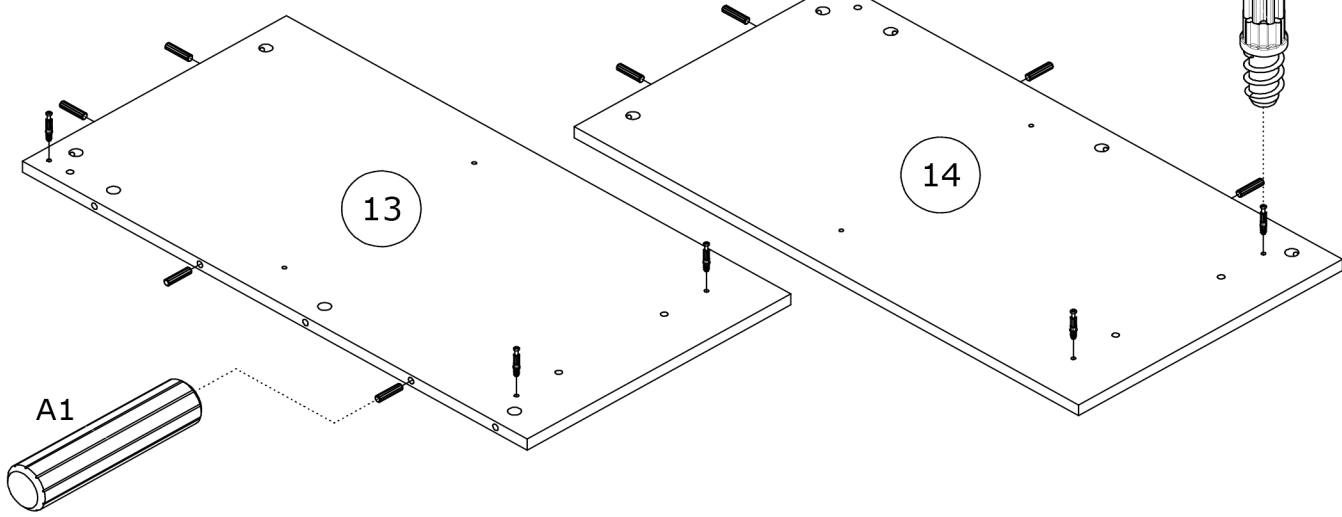
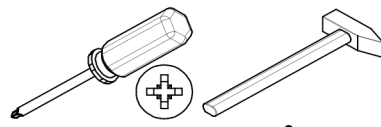


Ø8x35mm

B1 x 6

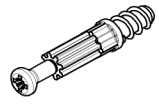


Ø5x38mm



10

B1 x 6

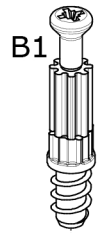


Ø5x38mm

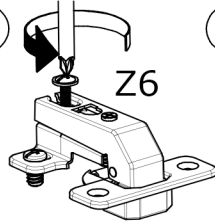
Z6 x 4



Ø35mm, 90°



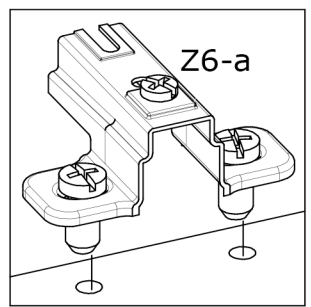
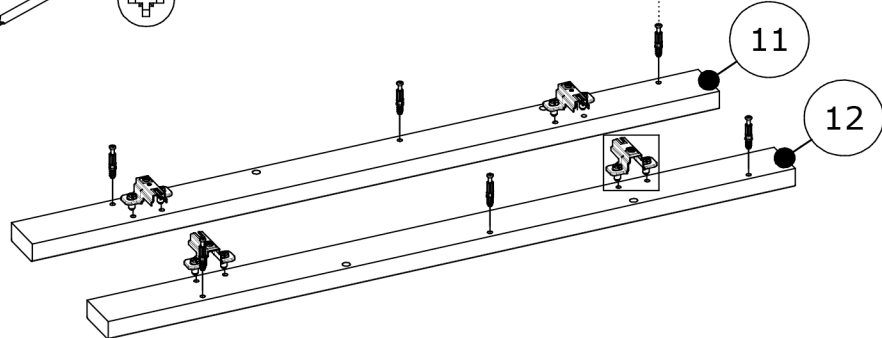
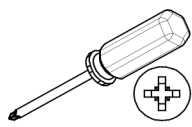
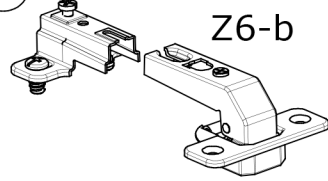
I



II

Z6-a

Z6-b

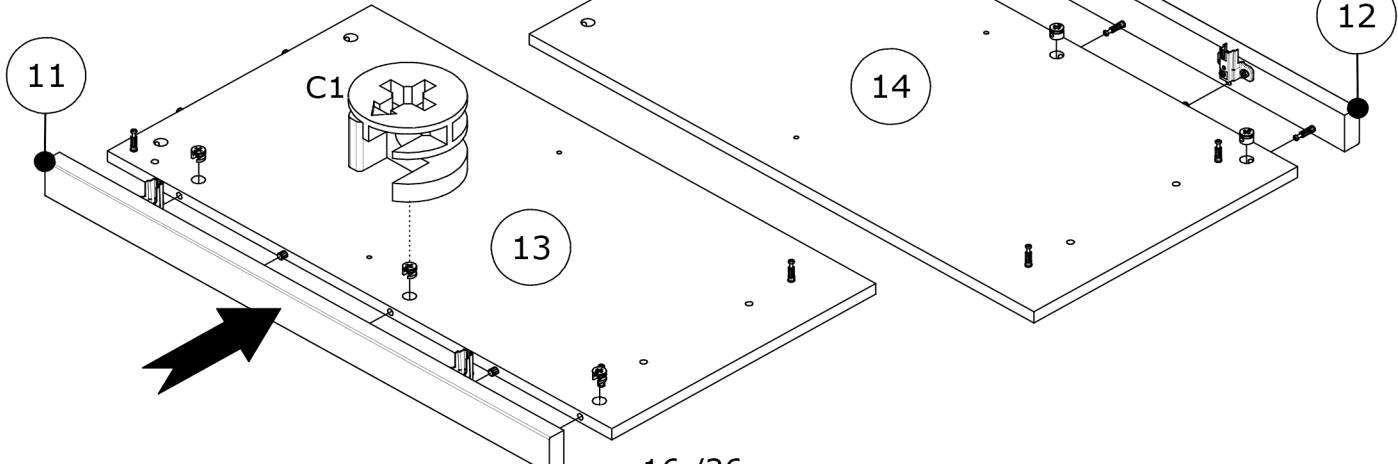


11

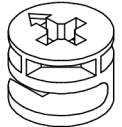
C1 x 6

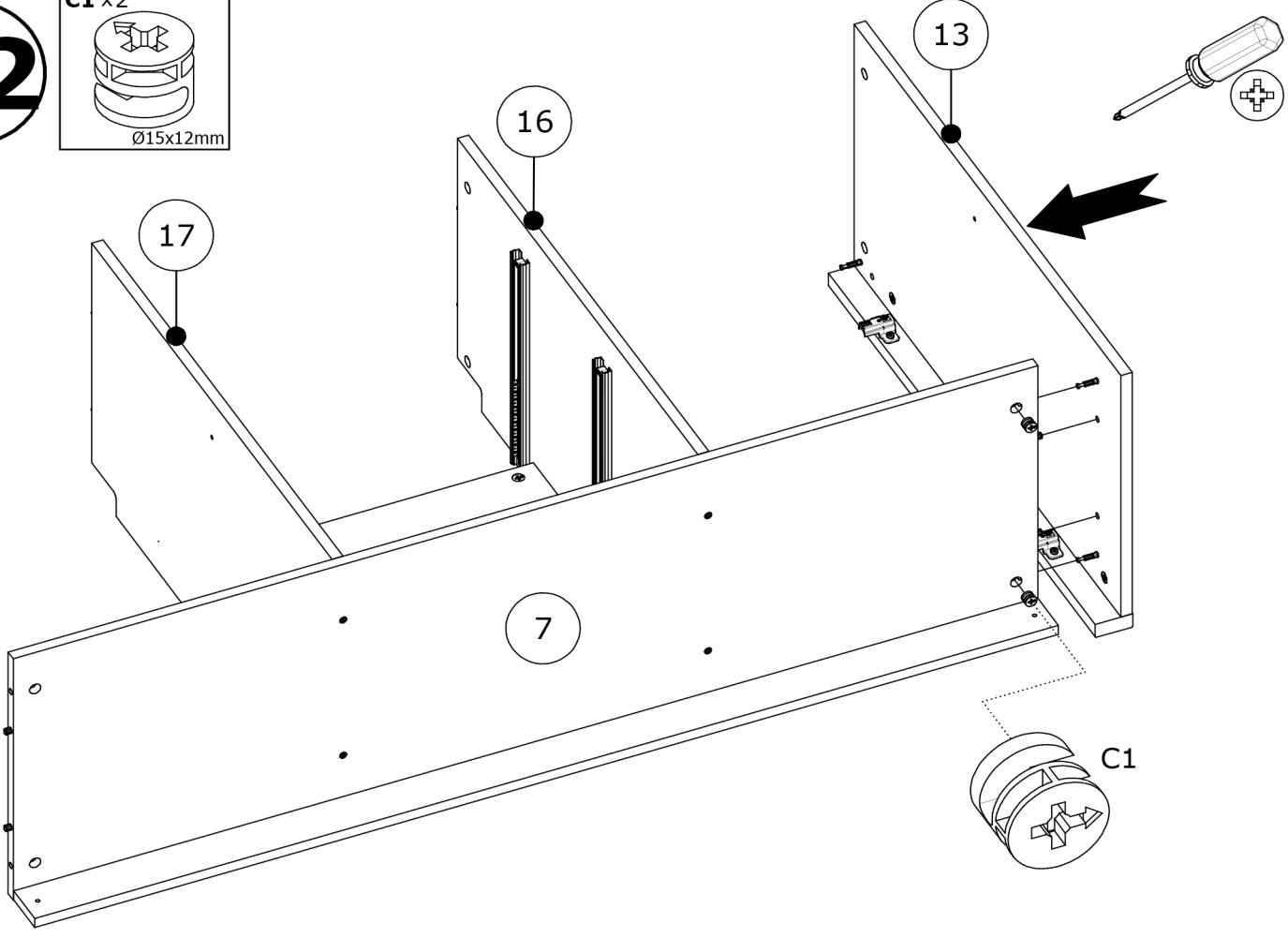


Ø15x12mm




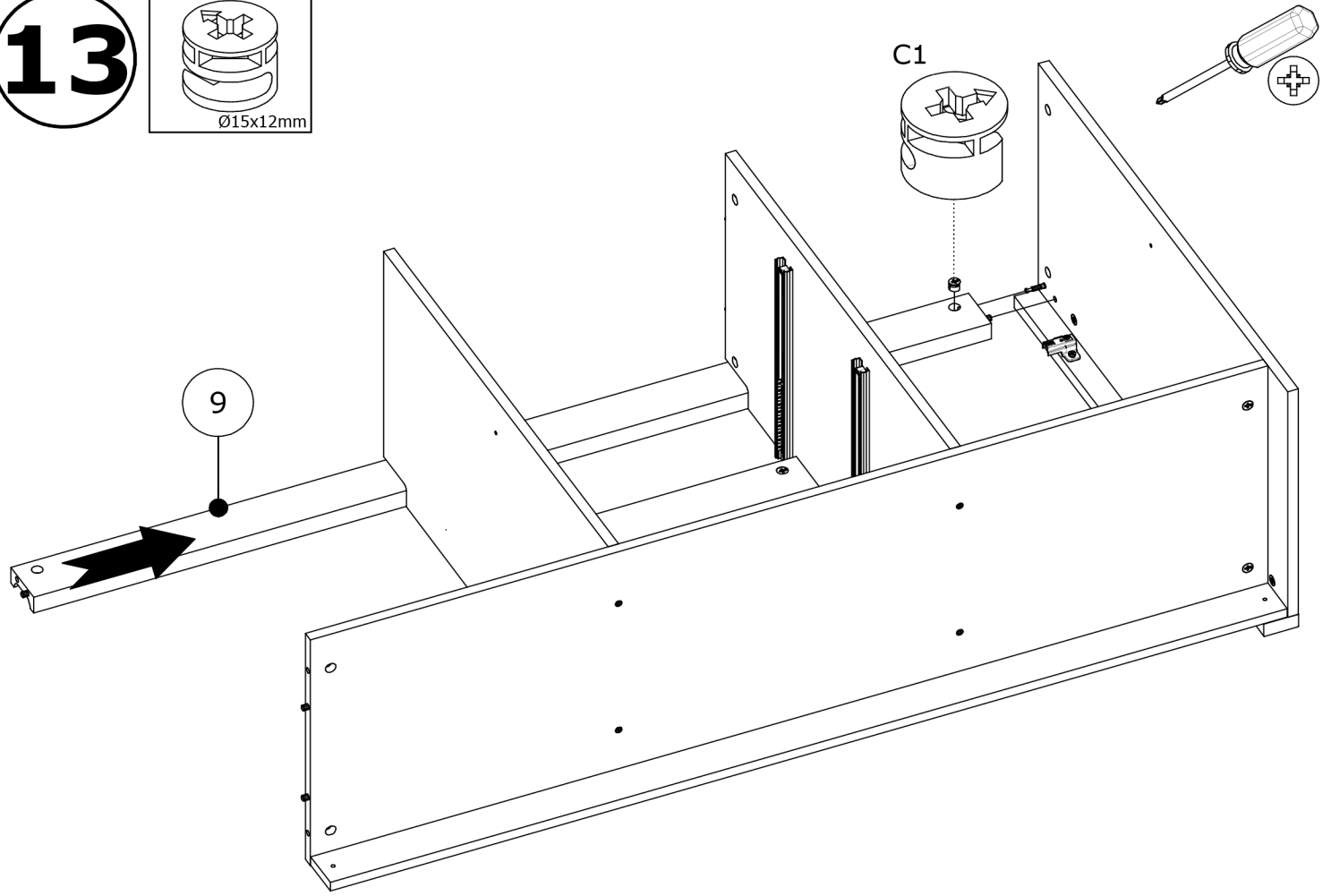
12

C1 x 2

Ø15x12mm

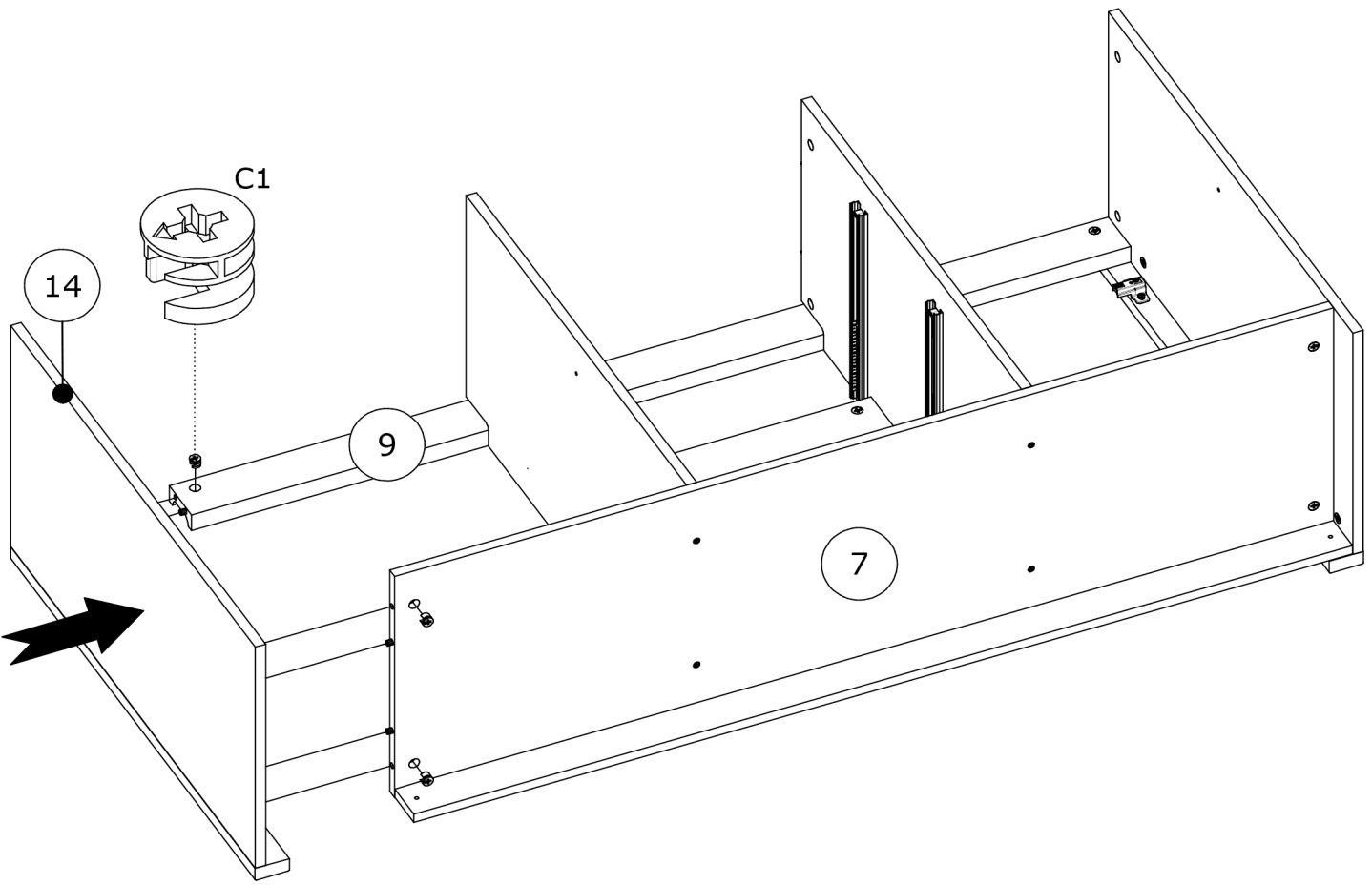
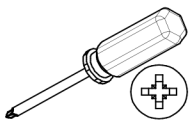
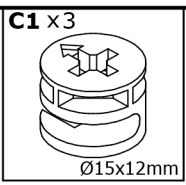


13

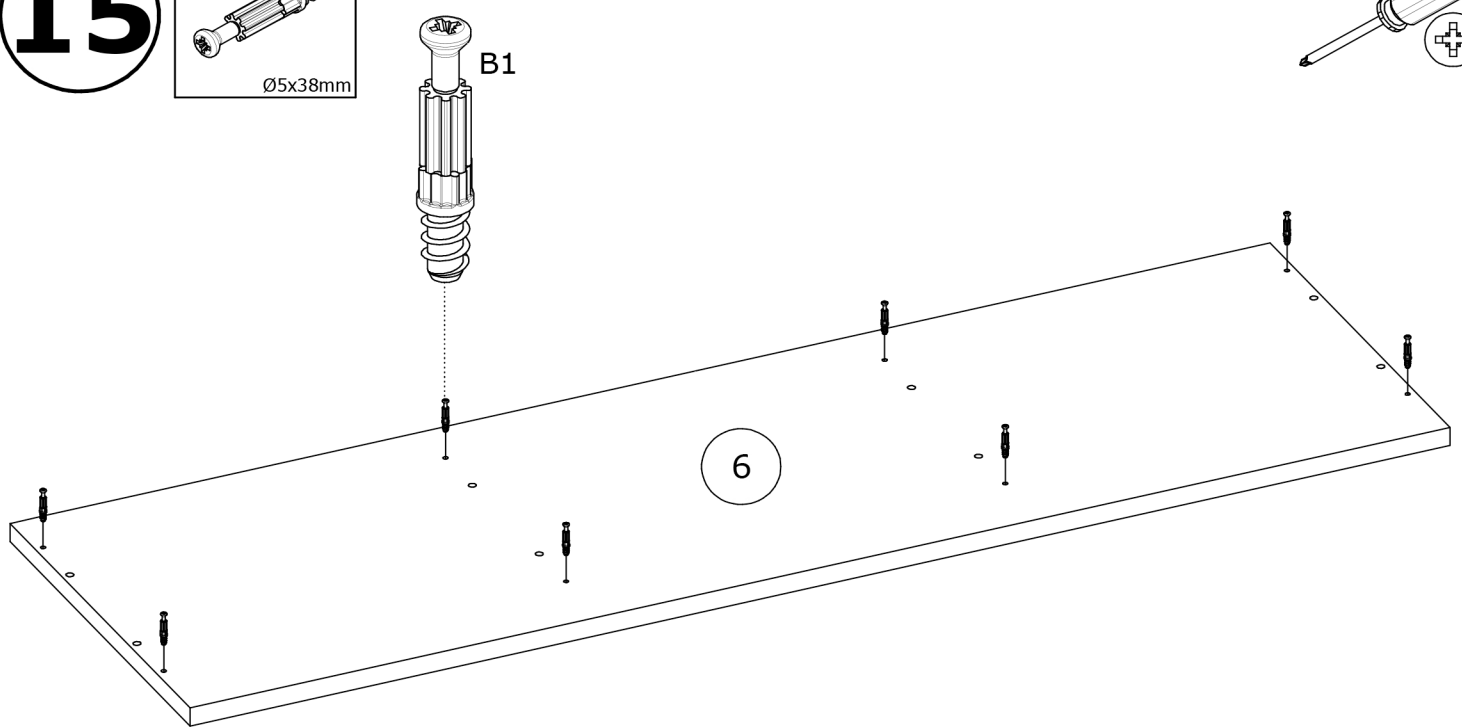
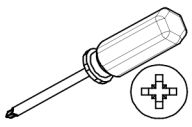
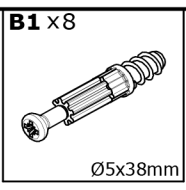
C1 x 1

Ø15x12mm



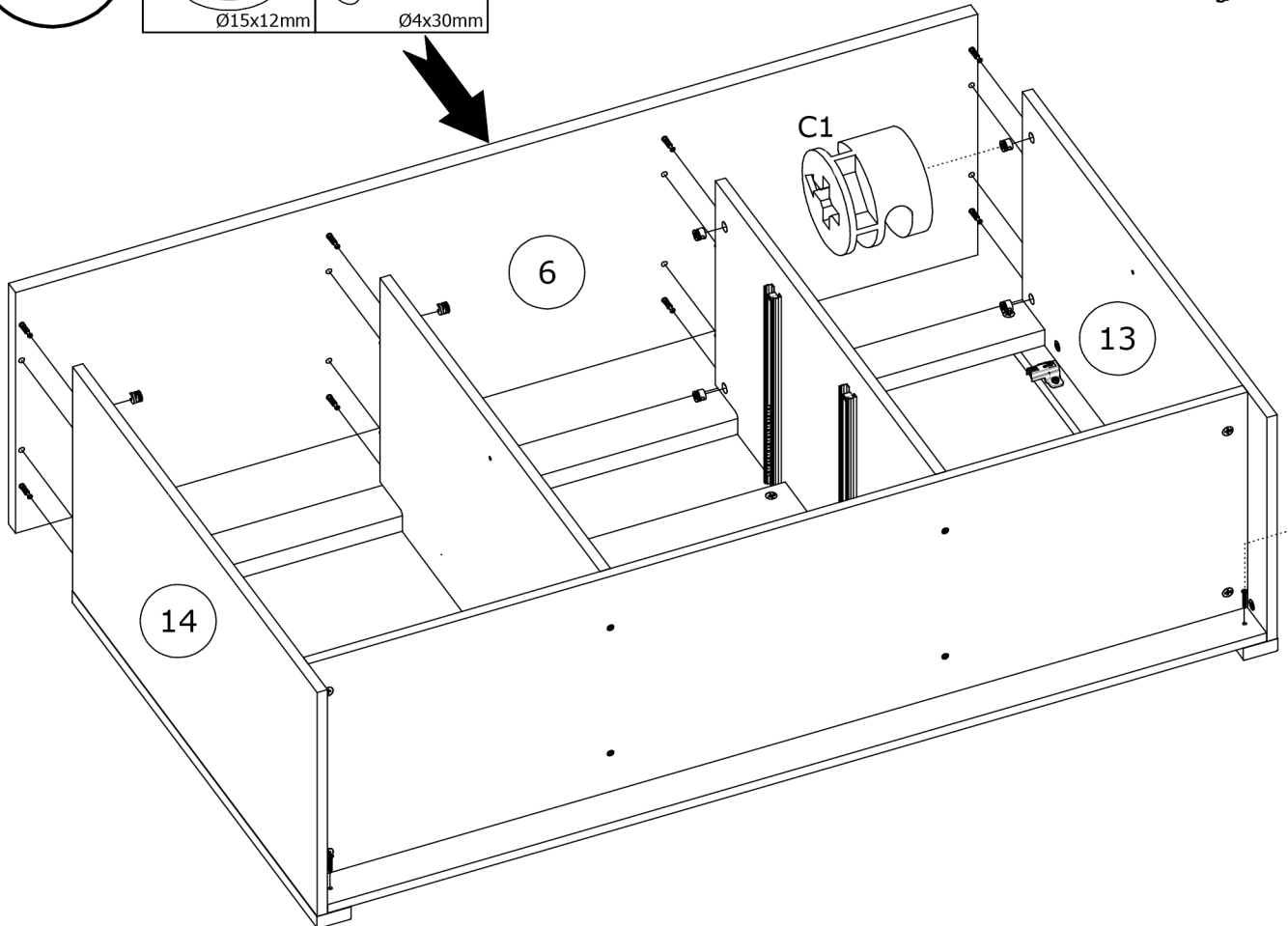
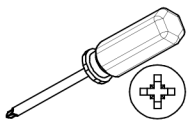
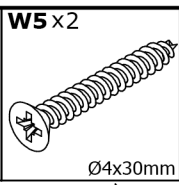
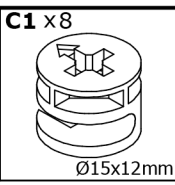
14



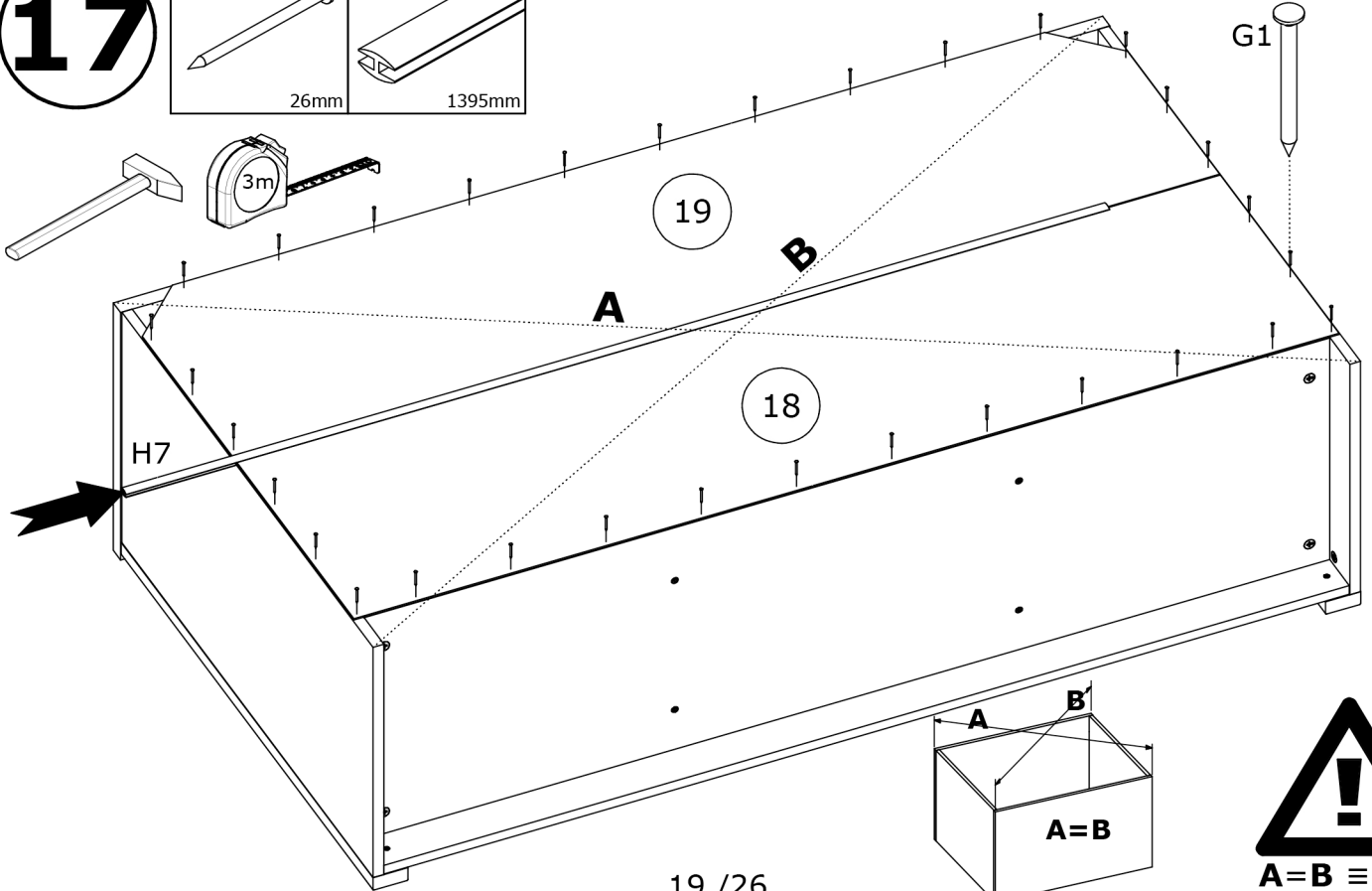
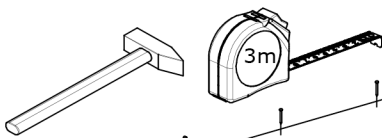
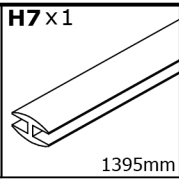
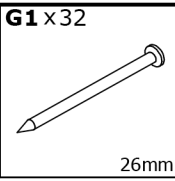
15



16

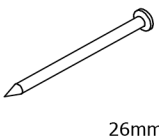


17



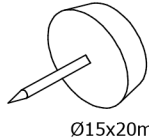
18

G1 x 12



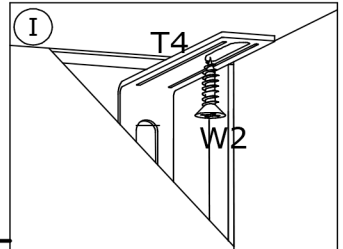
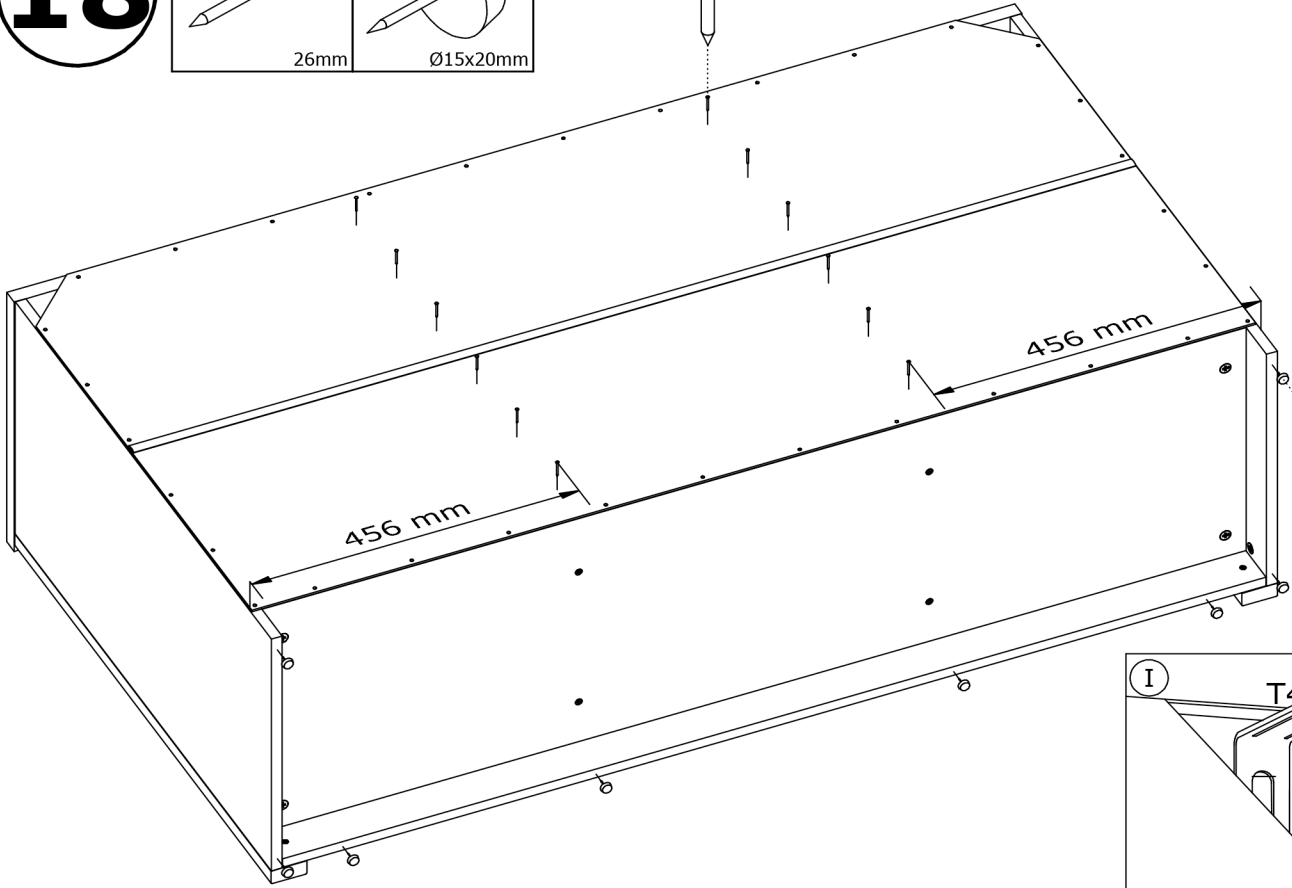
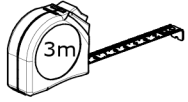
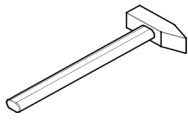
26mm

Y5 x 8



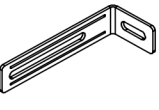
Ø15x20mm

G1



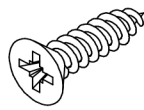
19

T4 x 2

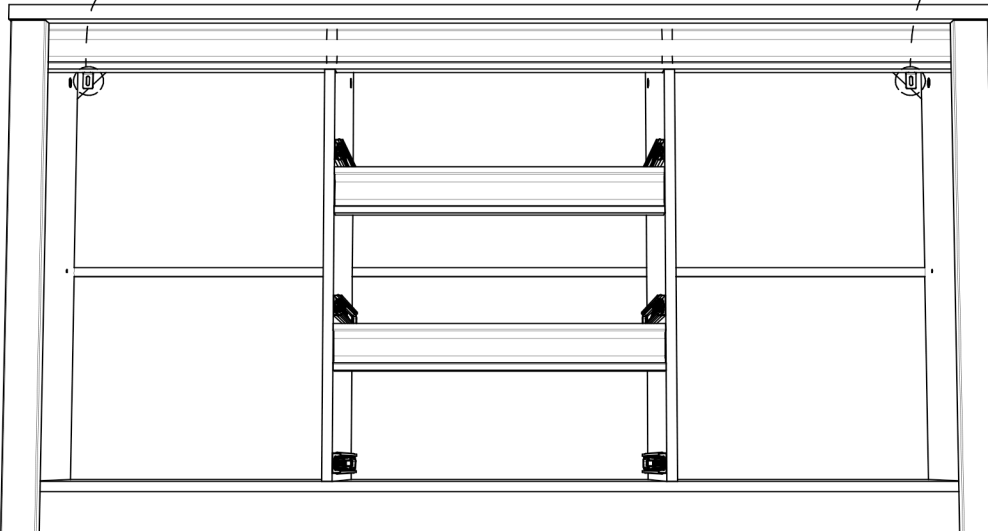
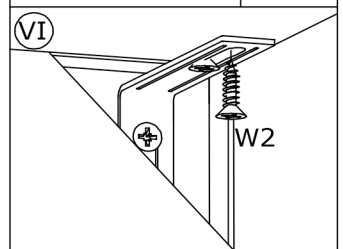
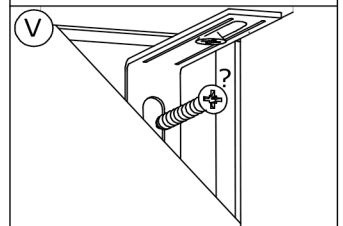
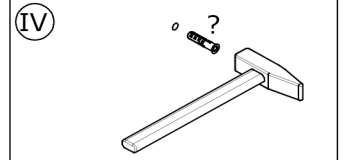
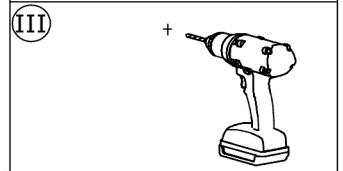
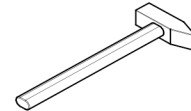
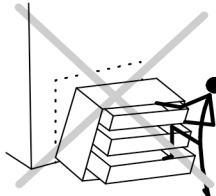
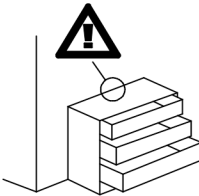
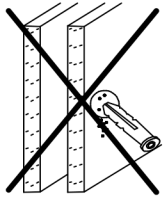
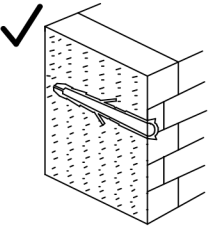
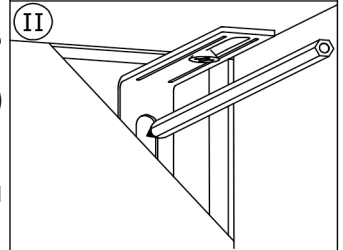
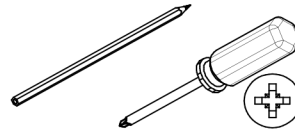
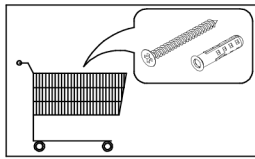


75x28x16 mm

W2 x 4



Ø3,5x16mm

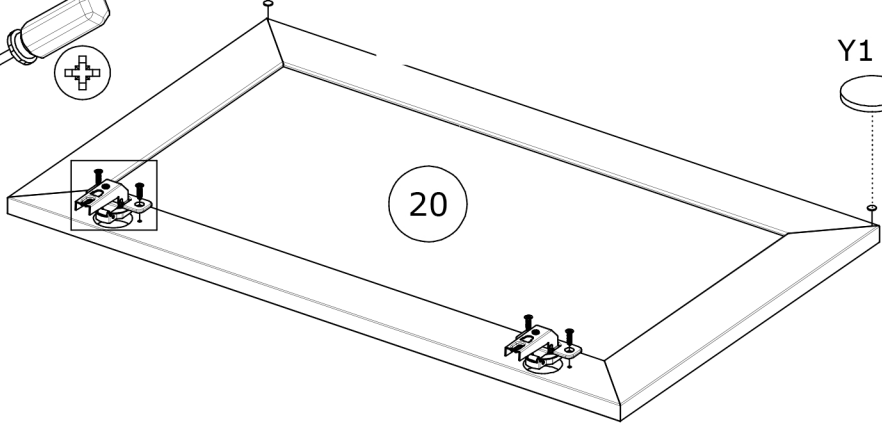
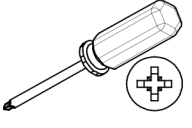
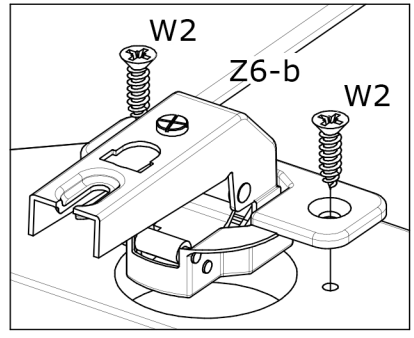


20

W2 x 8
Ø3,5x16mm

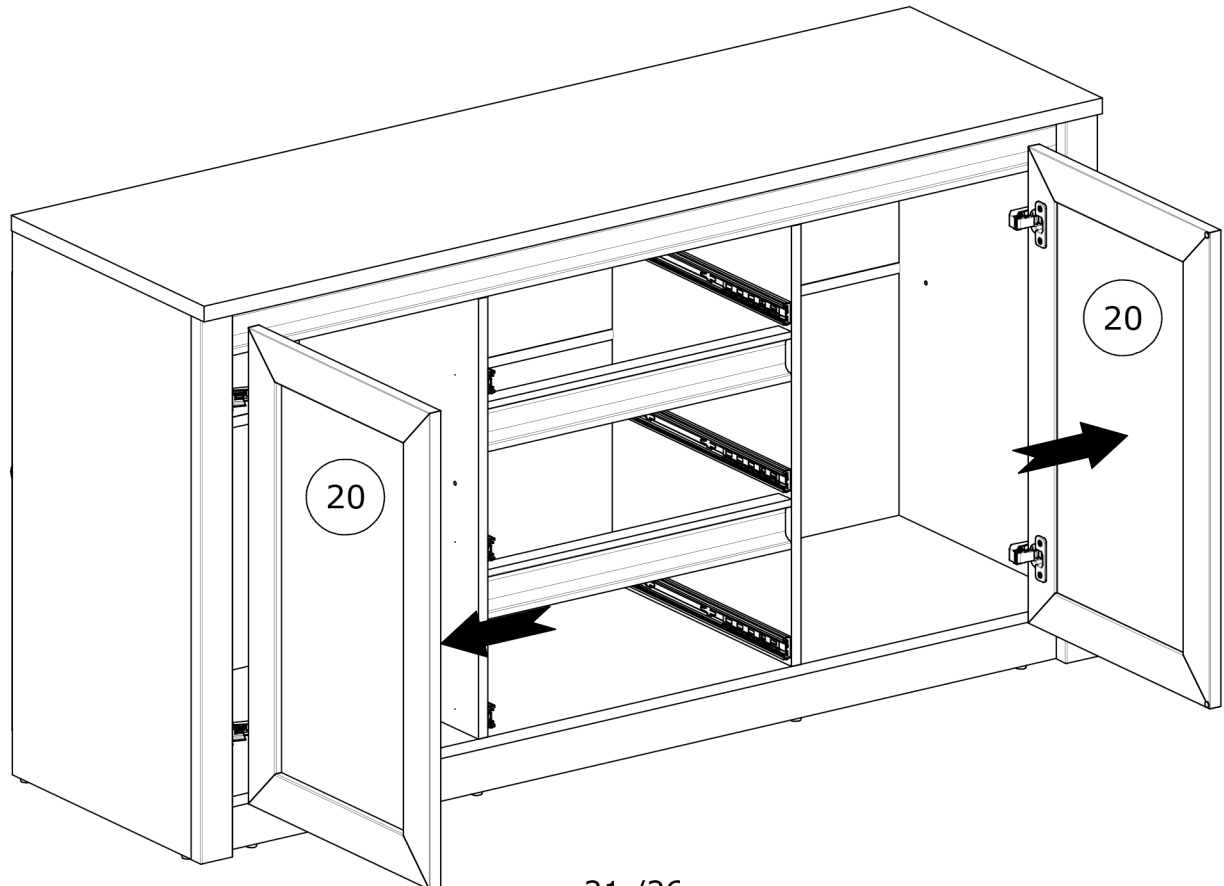
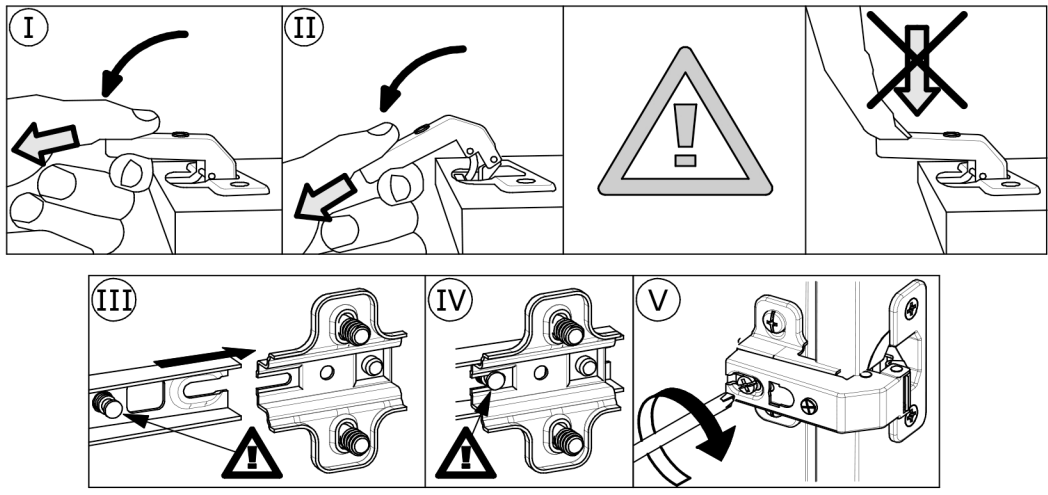
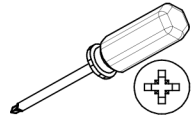
Y1 x 4
Ø8x1,5mm

Z6-b x 4
Ø35mm, 90°



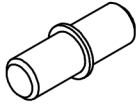
x2

21

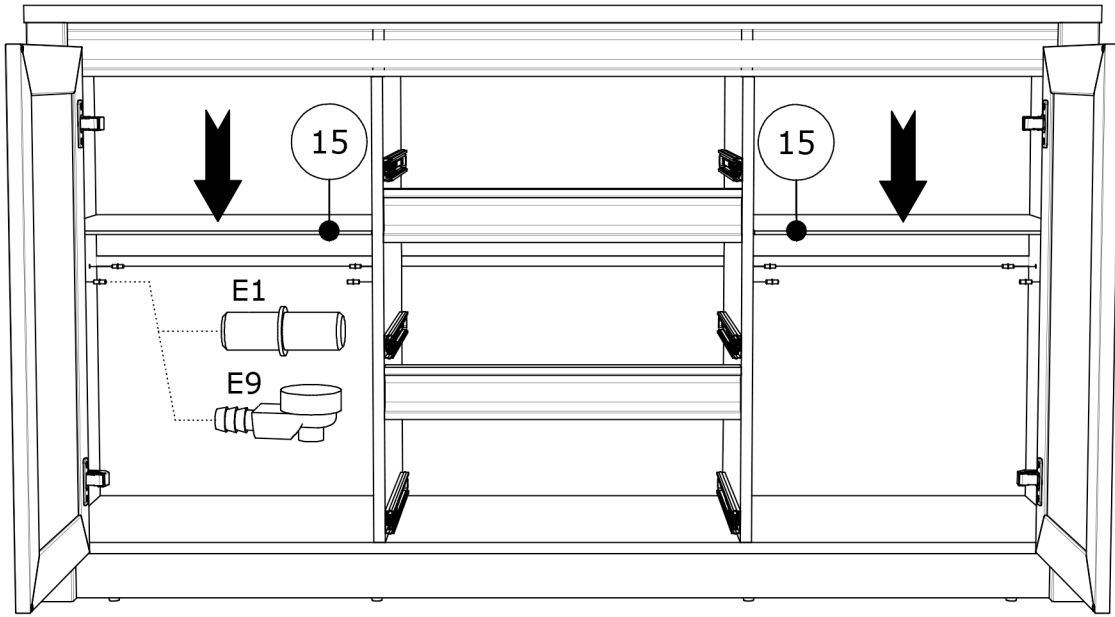
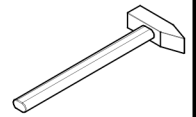
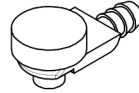


22

E1 x8 K2DP E9 x8 K2D

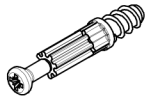


Ø5x16mm

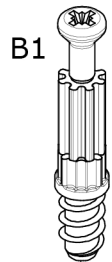


23

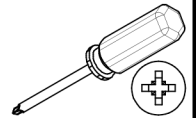
B1 x6



Ø5x38mm



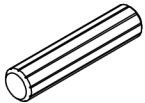
5



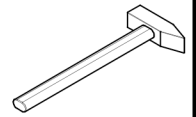
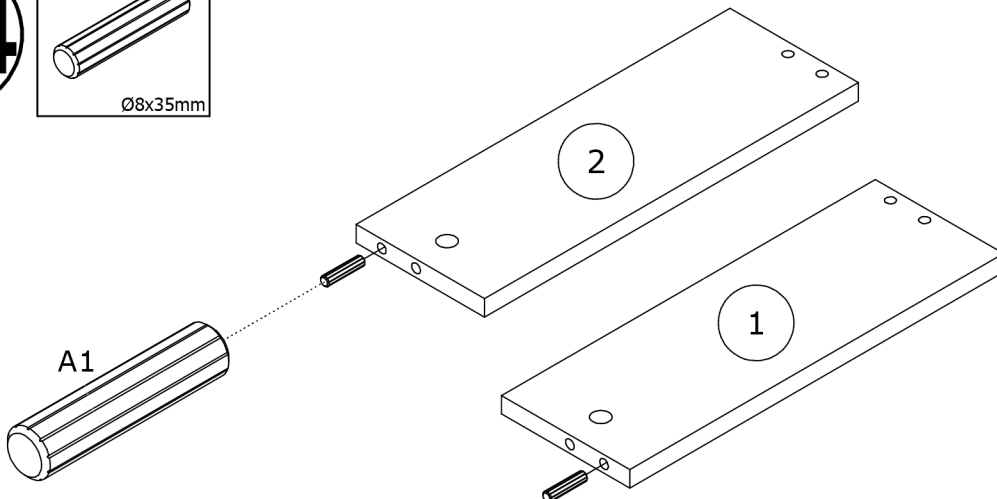
x3

24

A1 x6

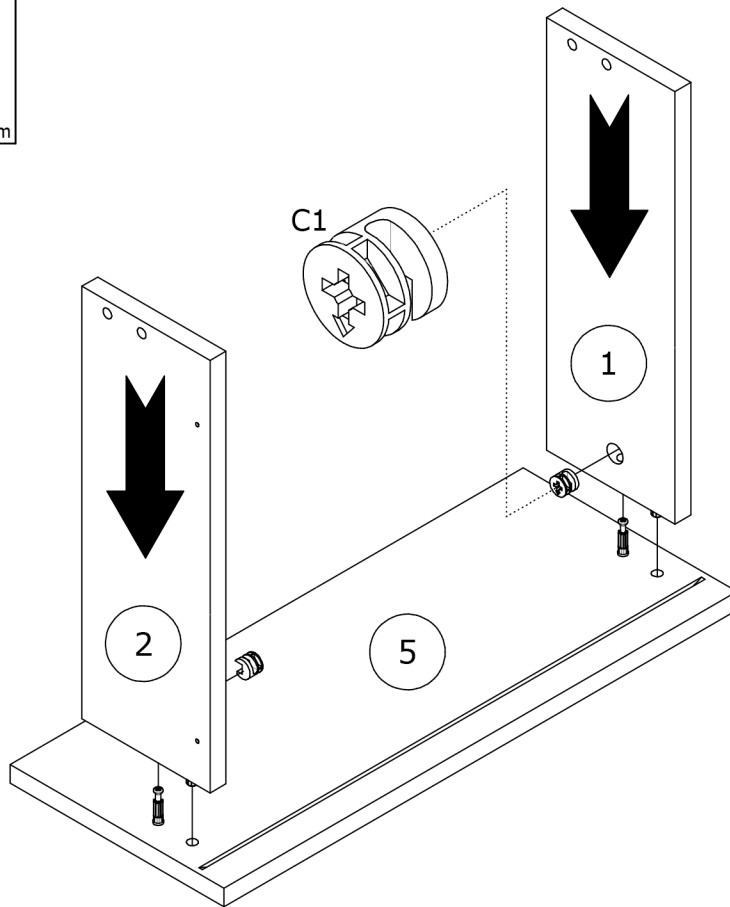
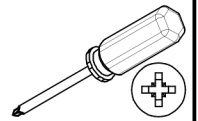
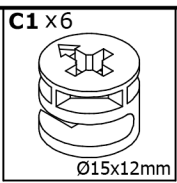


Ø8x35mm



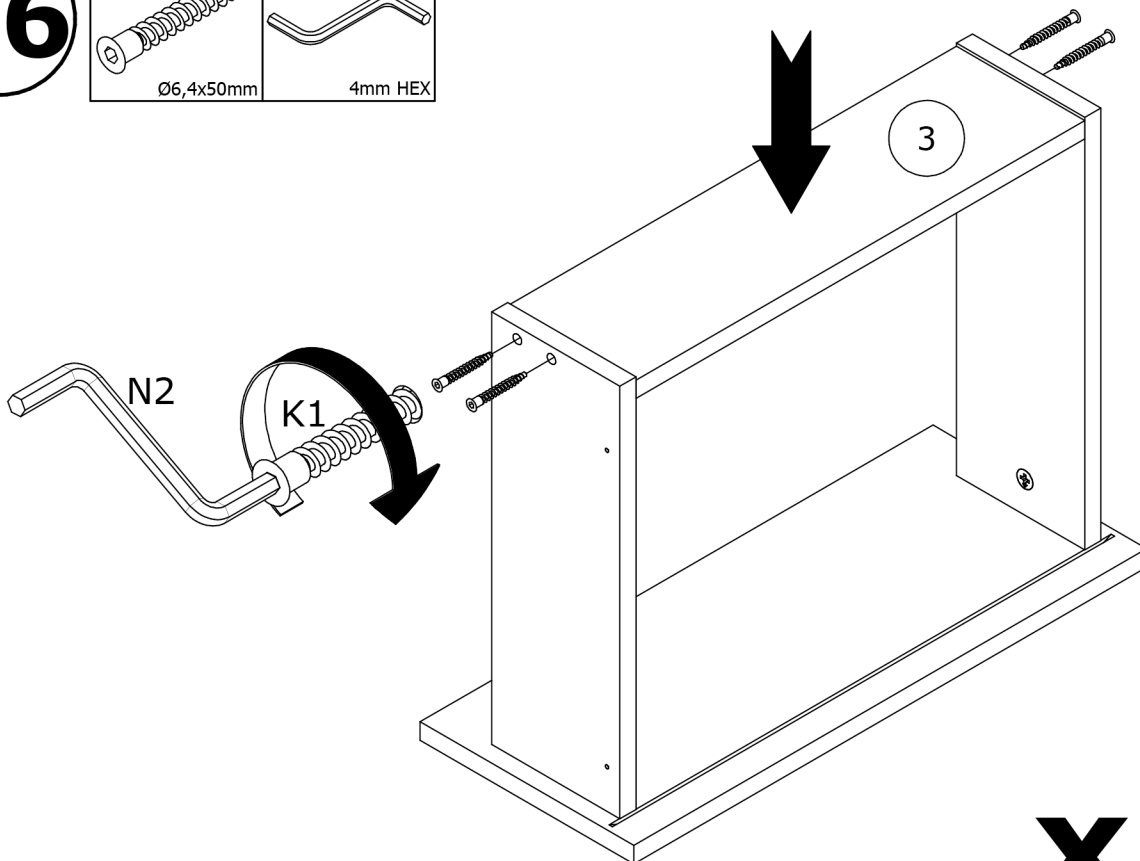
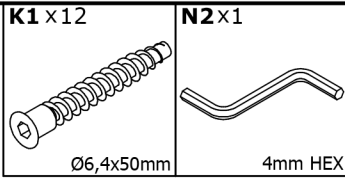
x3

25



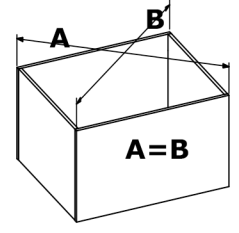
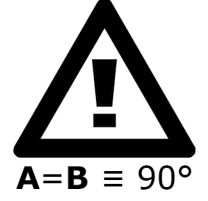
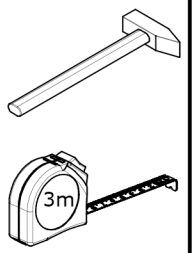
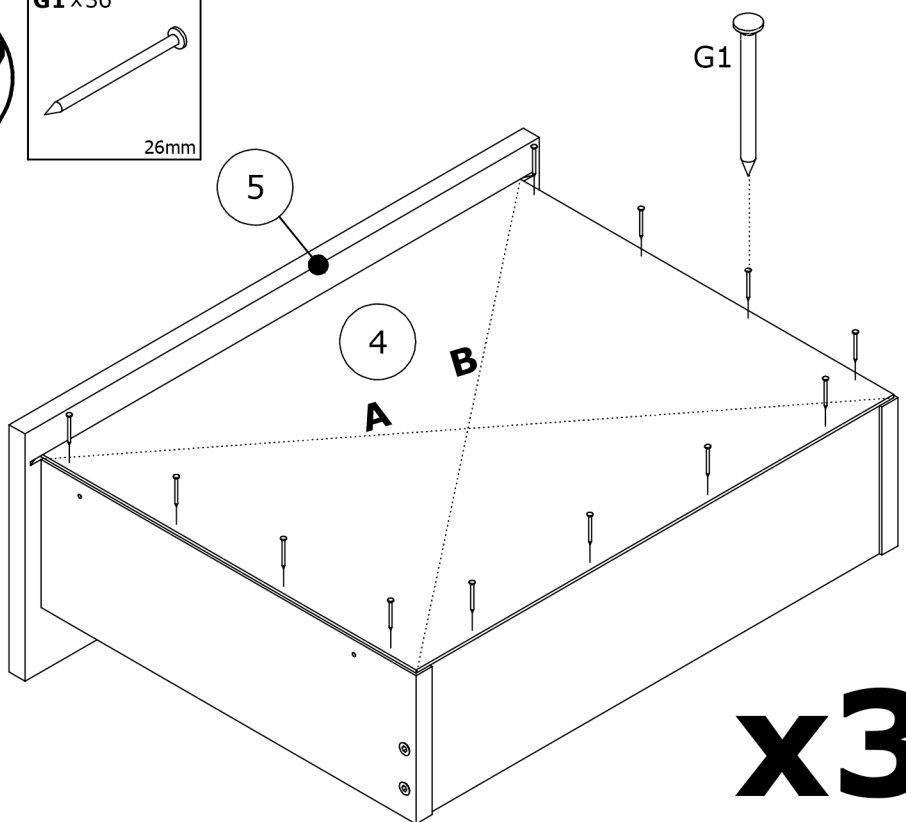
x3

26



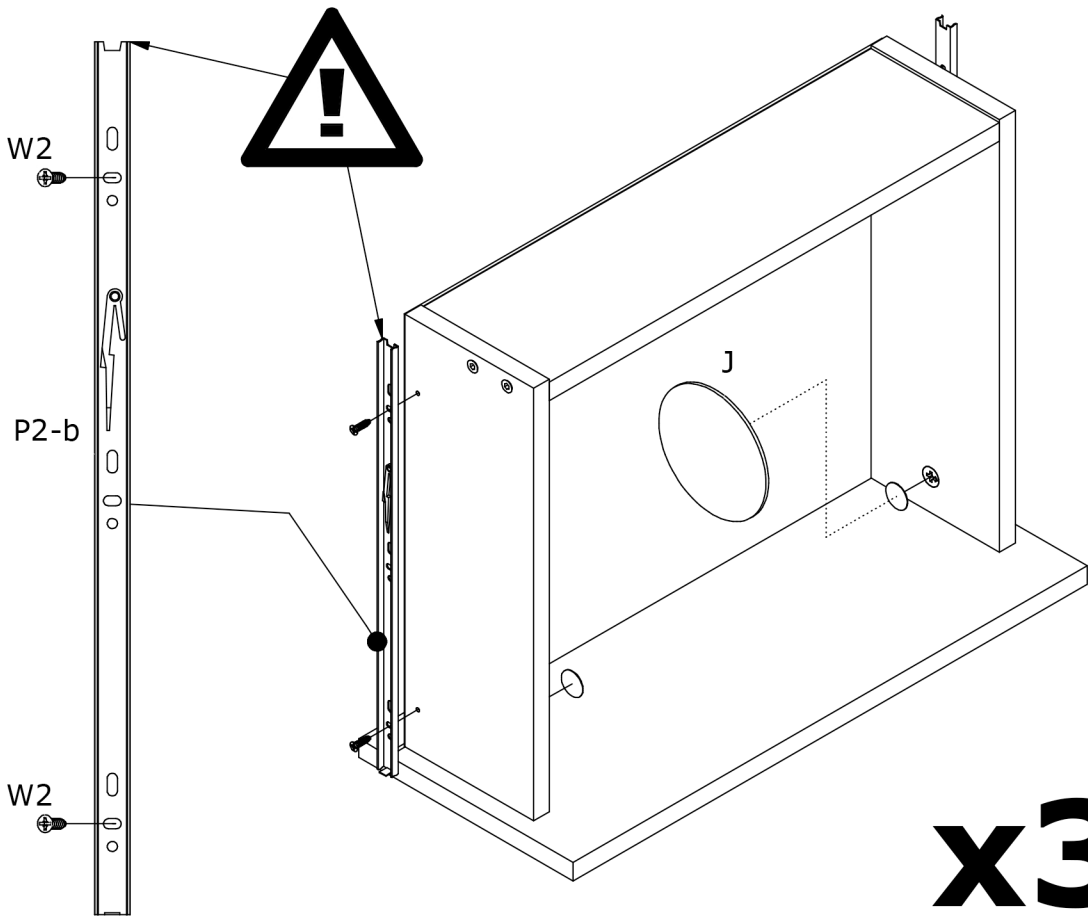
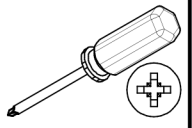
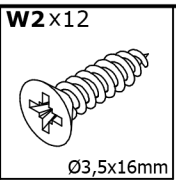
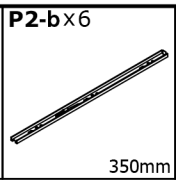
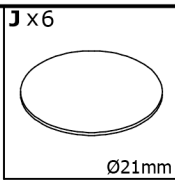
x3

27



x3

28

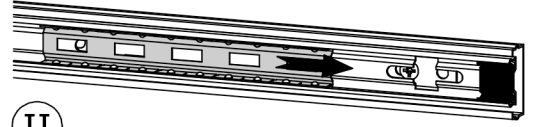


x3

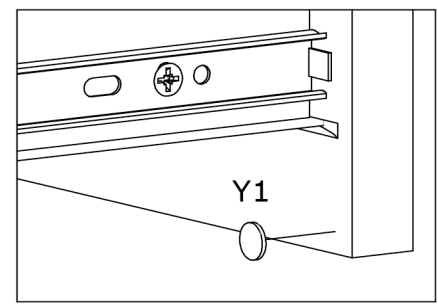
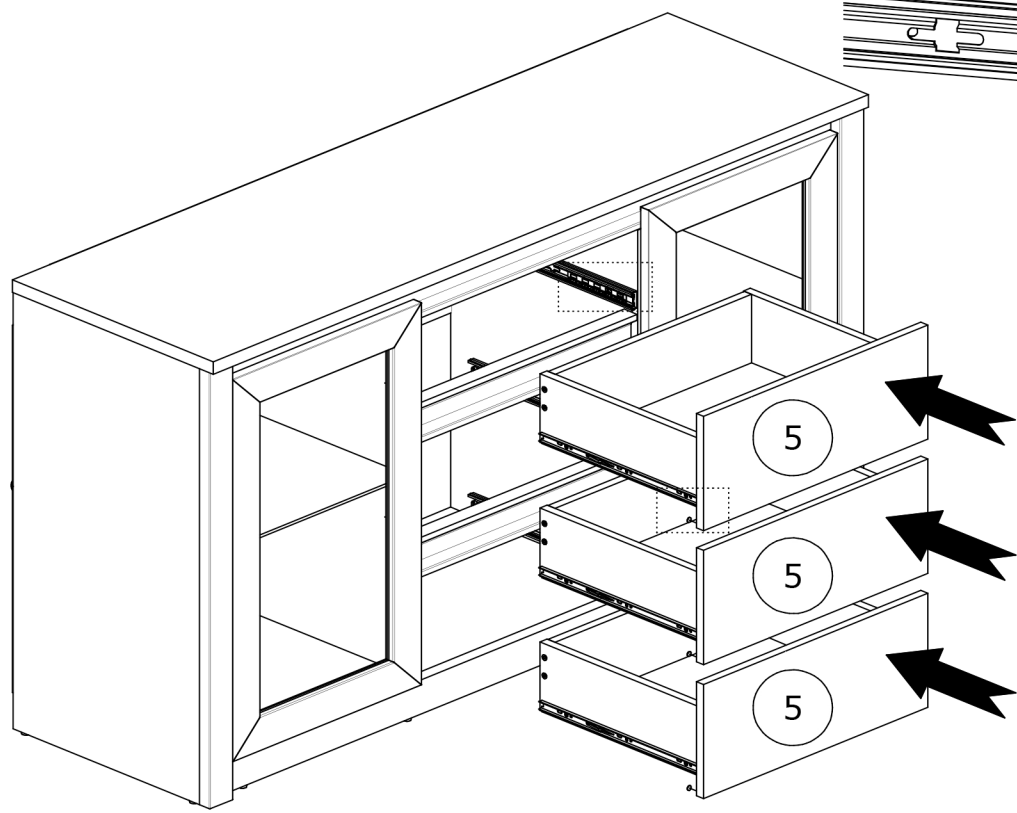
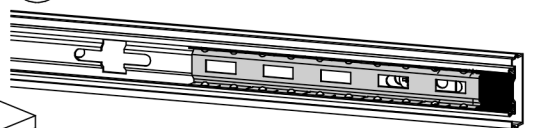
29

Y1 x 6
Ø8x1,5mm

I

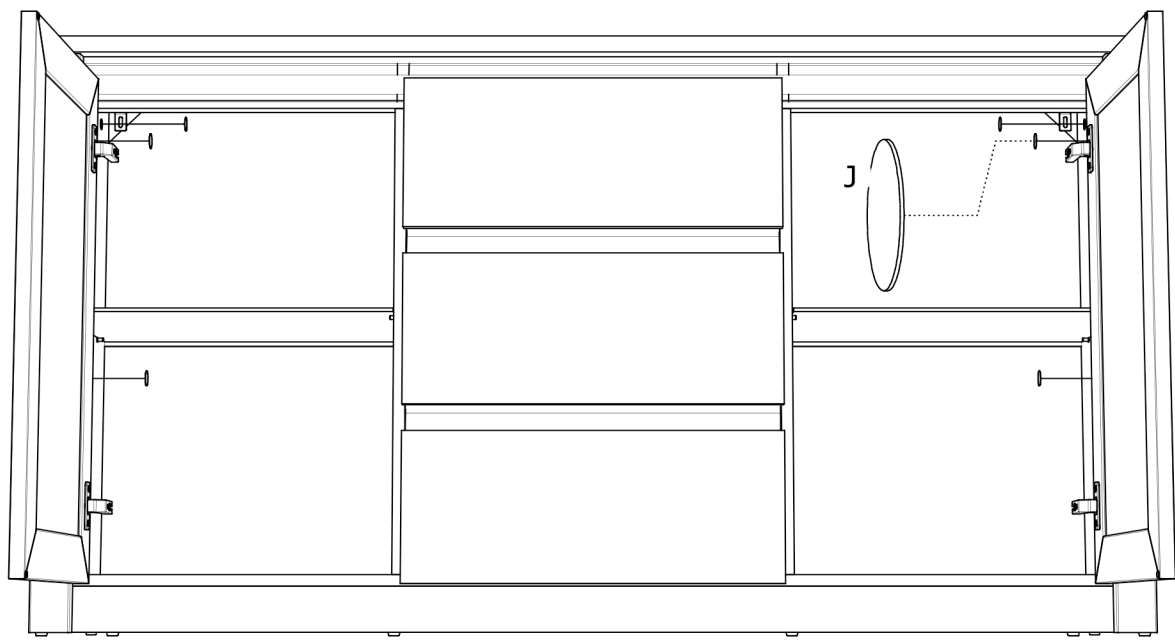


II



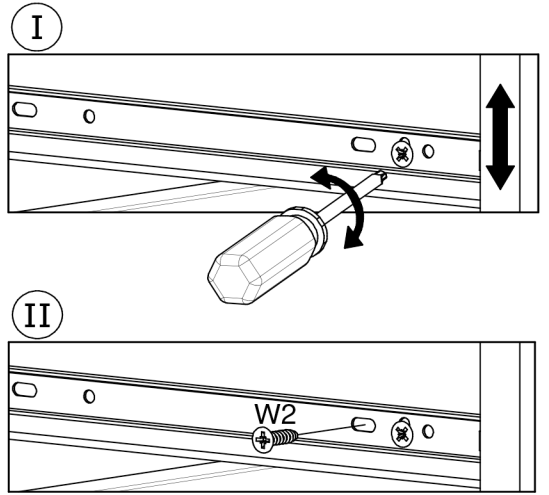
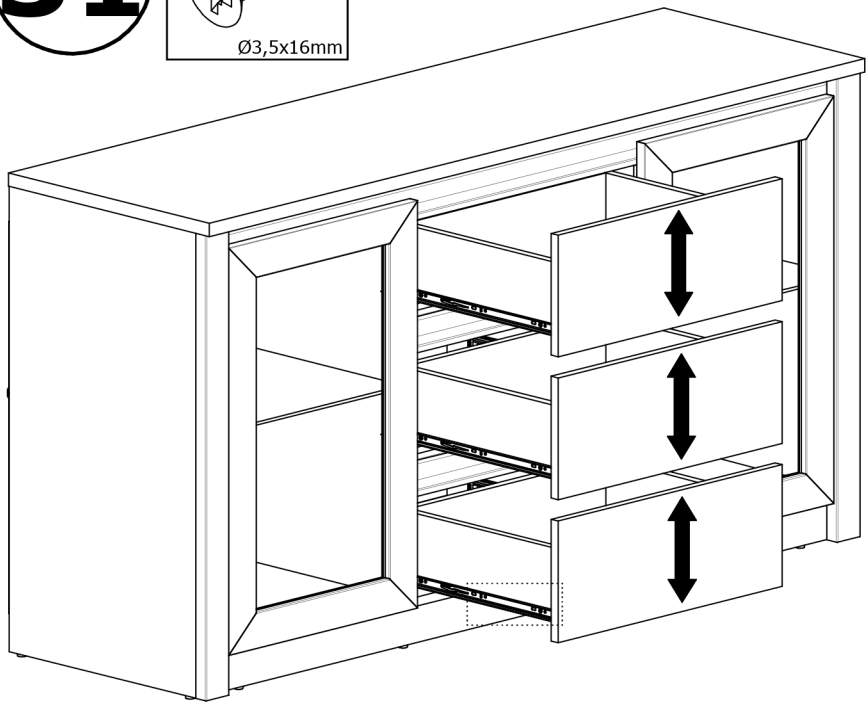
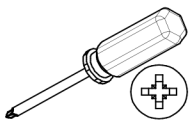
30

J x 8
Ø21mm



31

W2x6
Ø3,5x16mm



32

