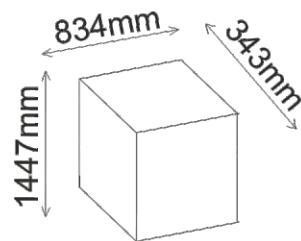
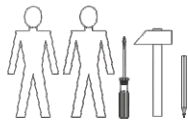
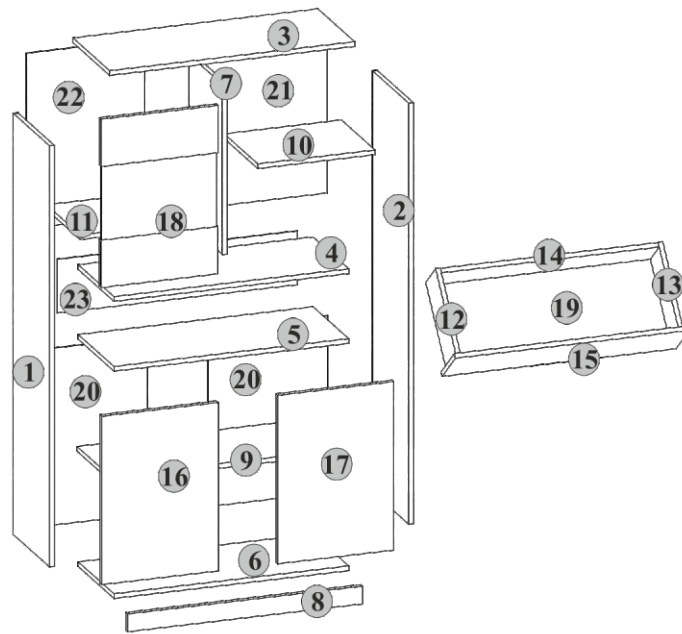










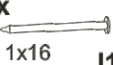




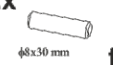


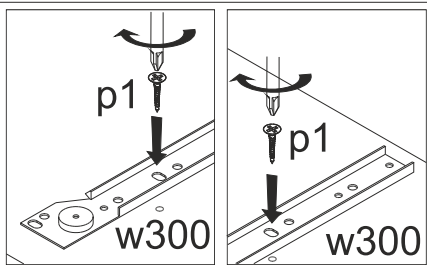


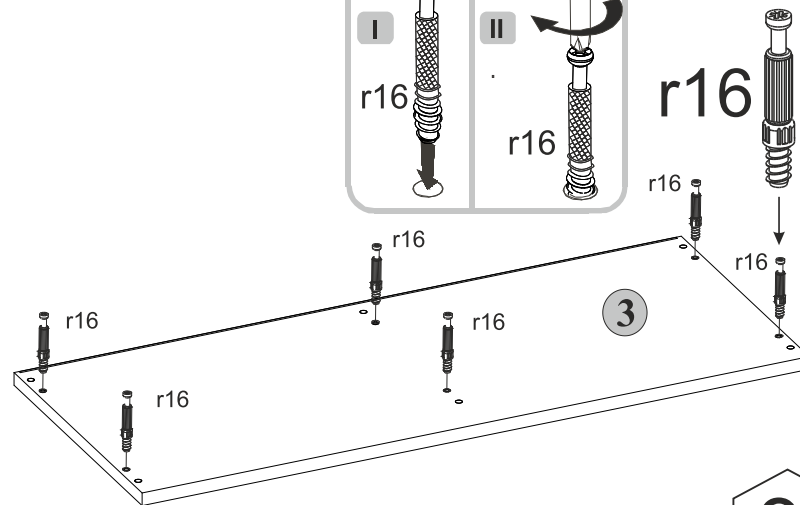
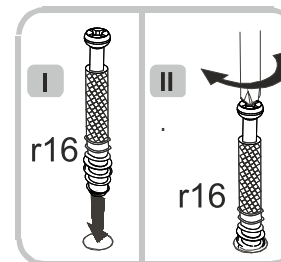
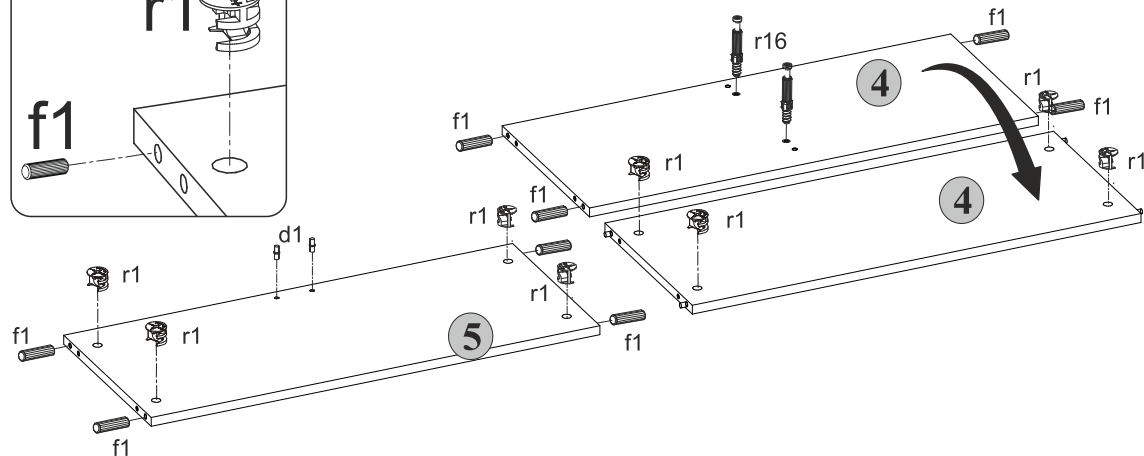
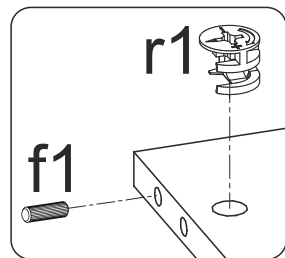
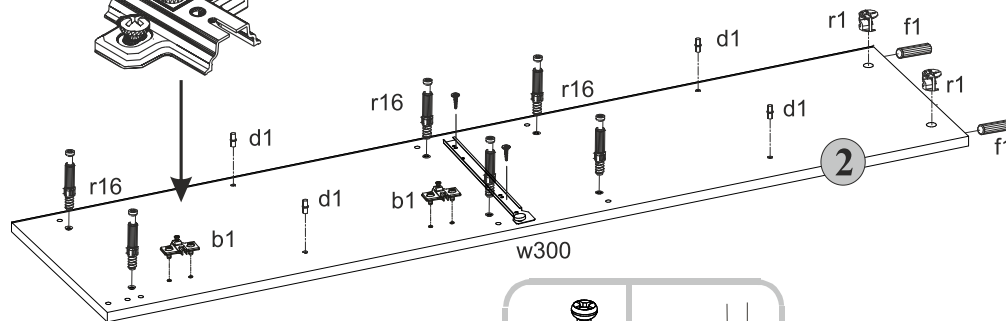
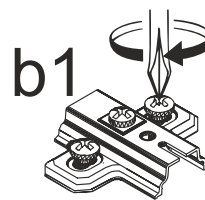
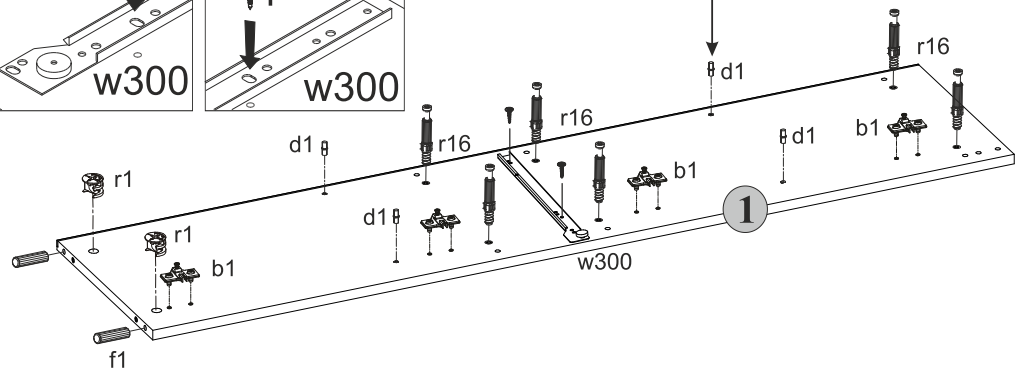
TEYO 2D1W1S/80



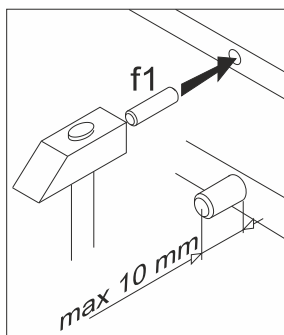
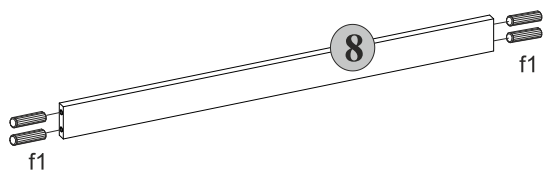
4x		k1	12x		e2	1x		w300	4x		d6	5x		c114	22x		r1
14x		d1	22x		r16	6x		a2	1x		y1	70x		l1	1x		z1
24x		p1	22x		s2	6x		b1	32x		f1	2x		e1	2x		s1



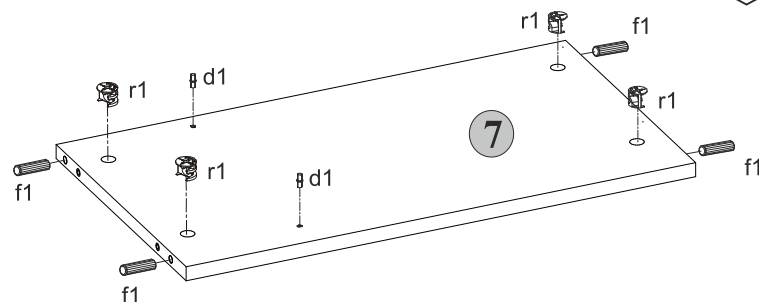
1



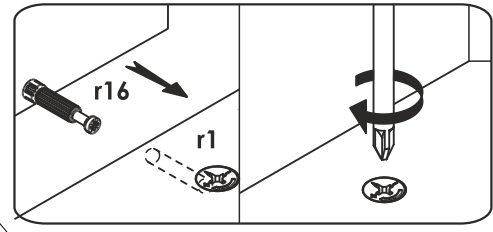
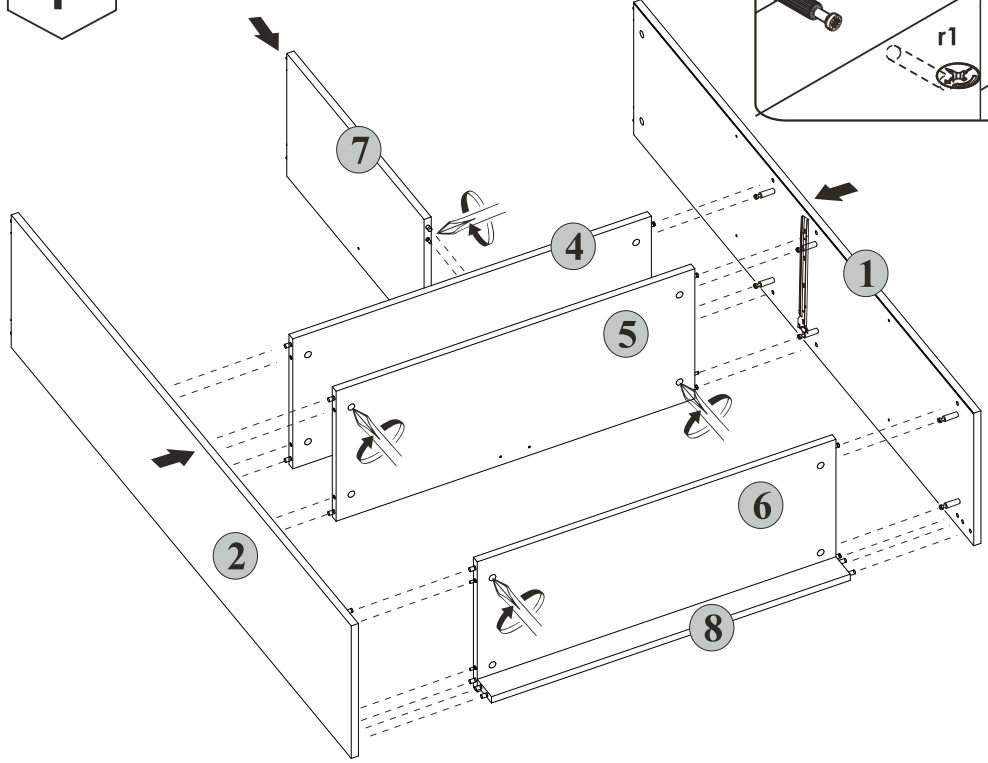
2



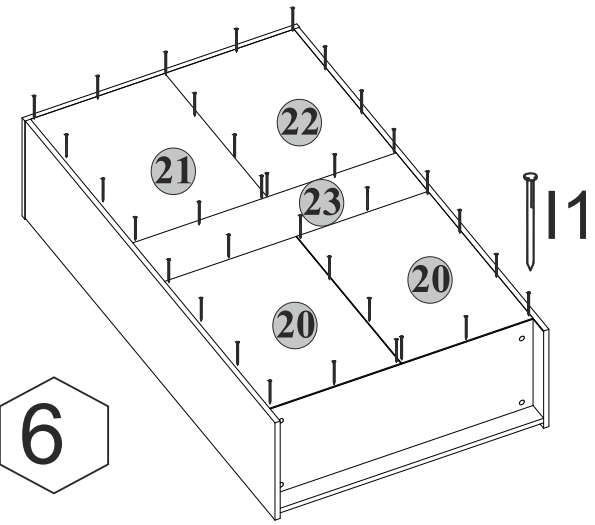
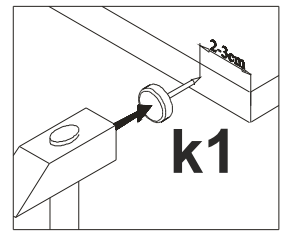
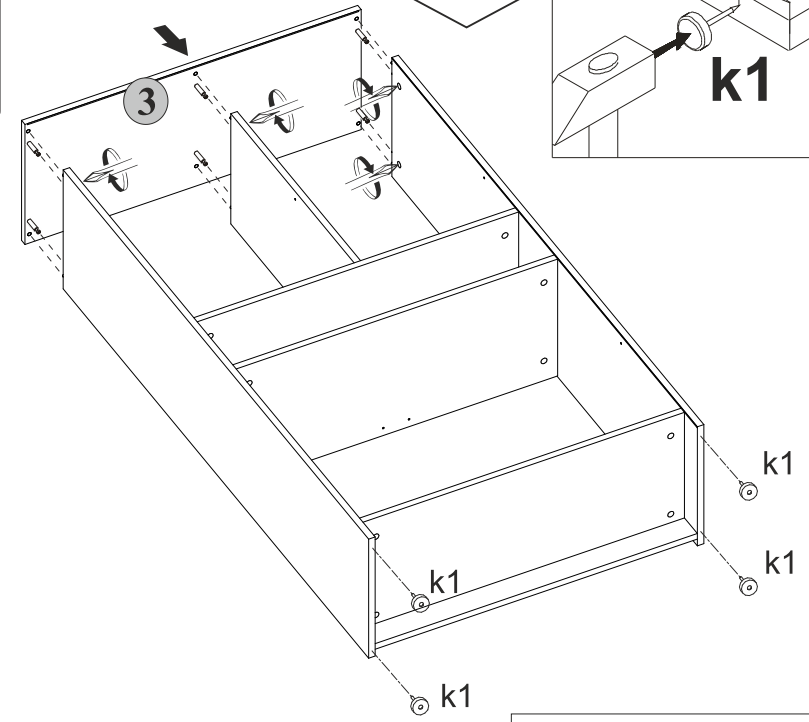
3



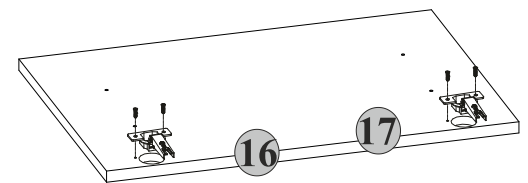
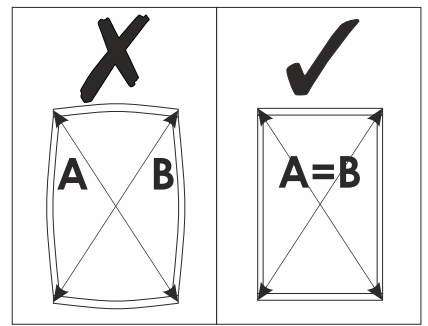
4



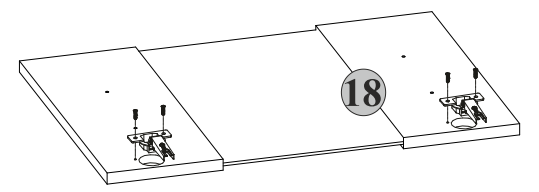
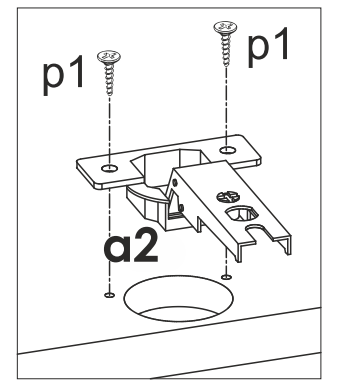
5



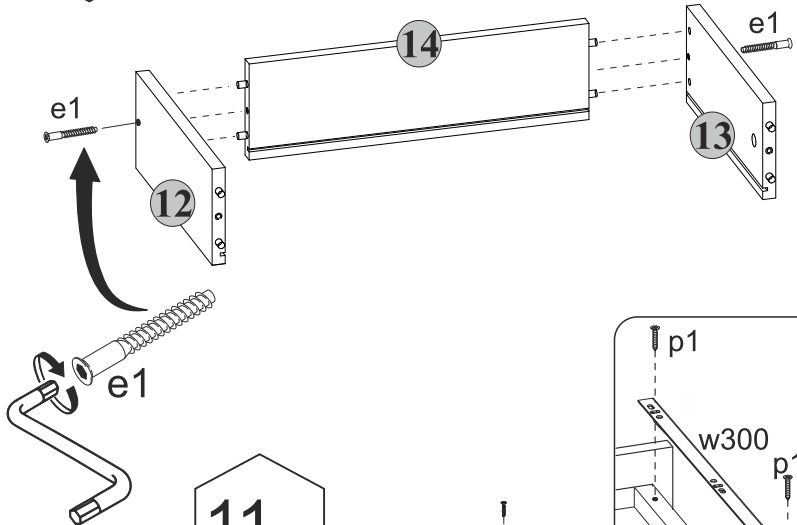
6



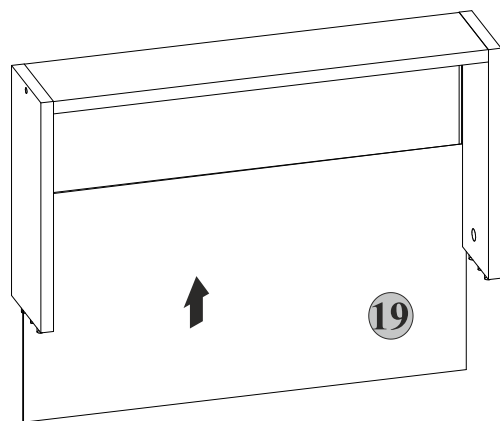
7



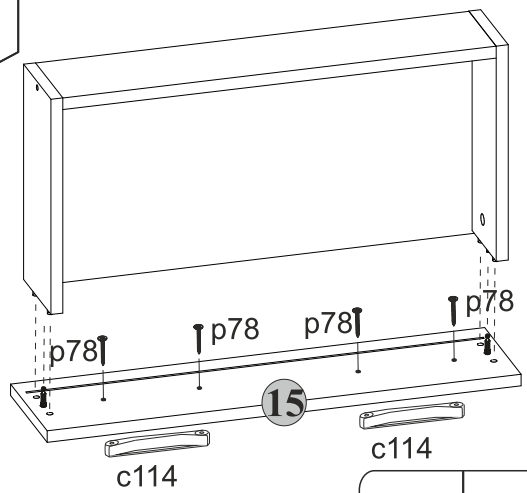
8



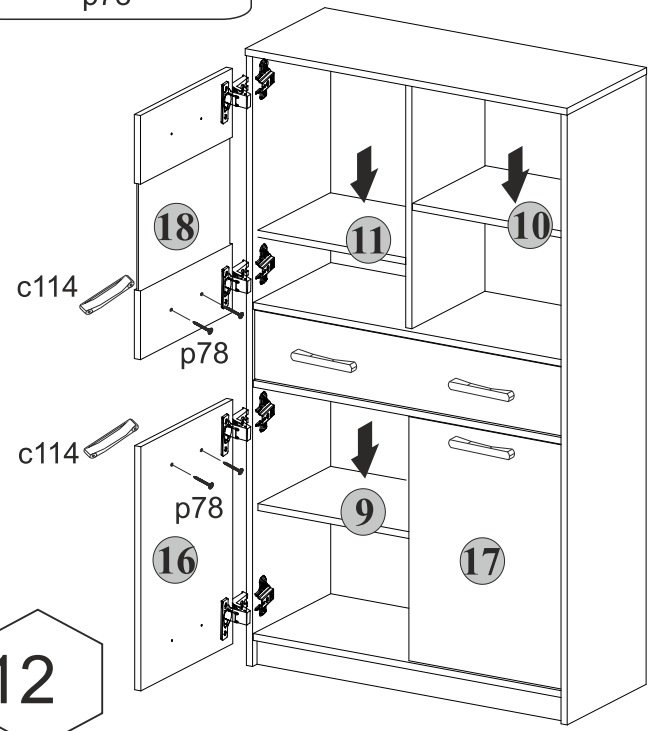
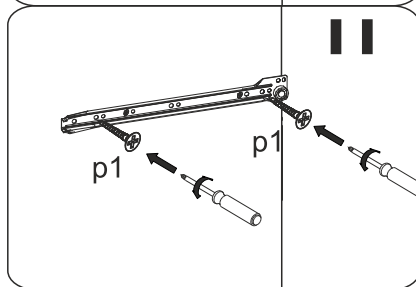
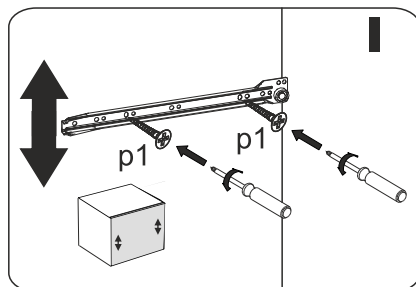
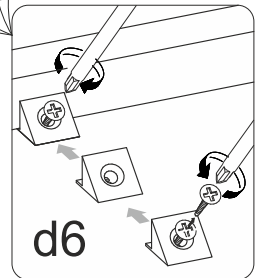
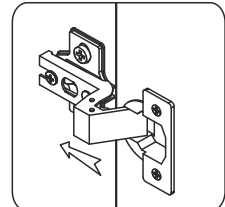
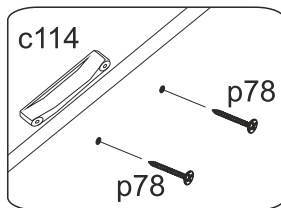
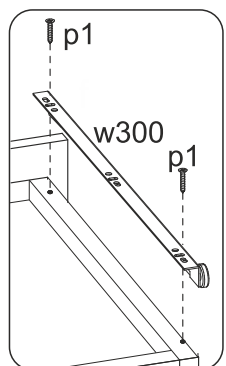
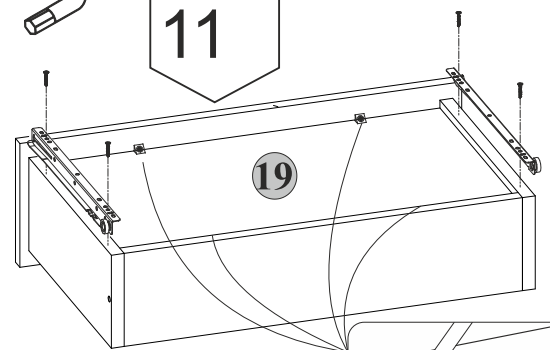
9



10



11



12

