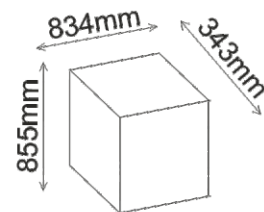
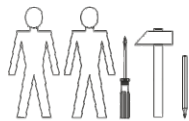
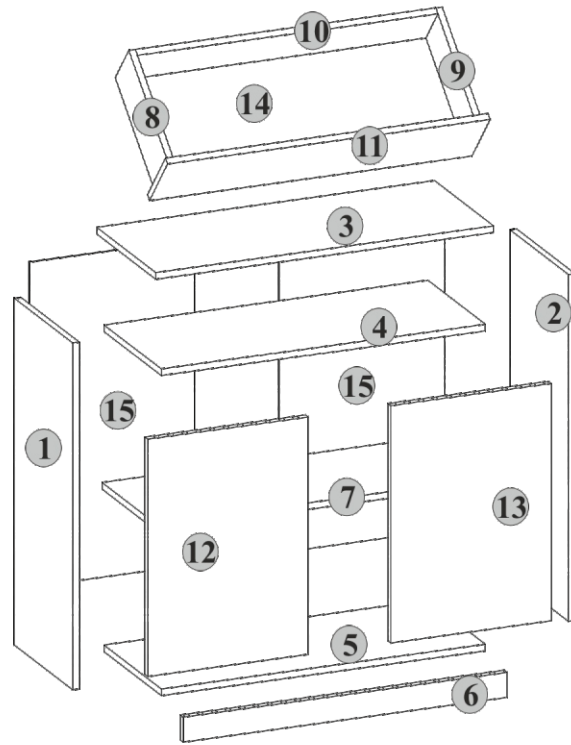
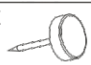
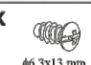


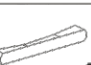



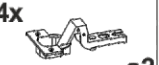

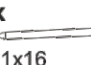




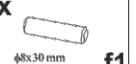



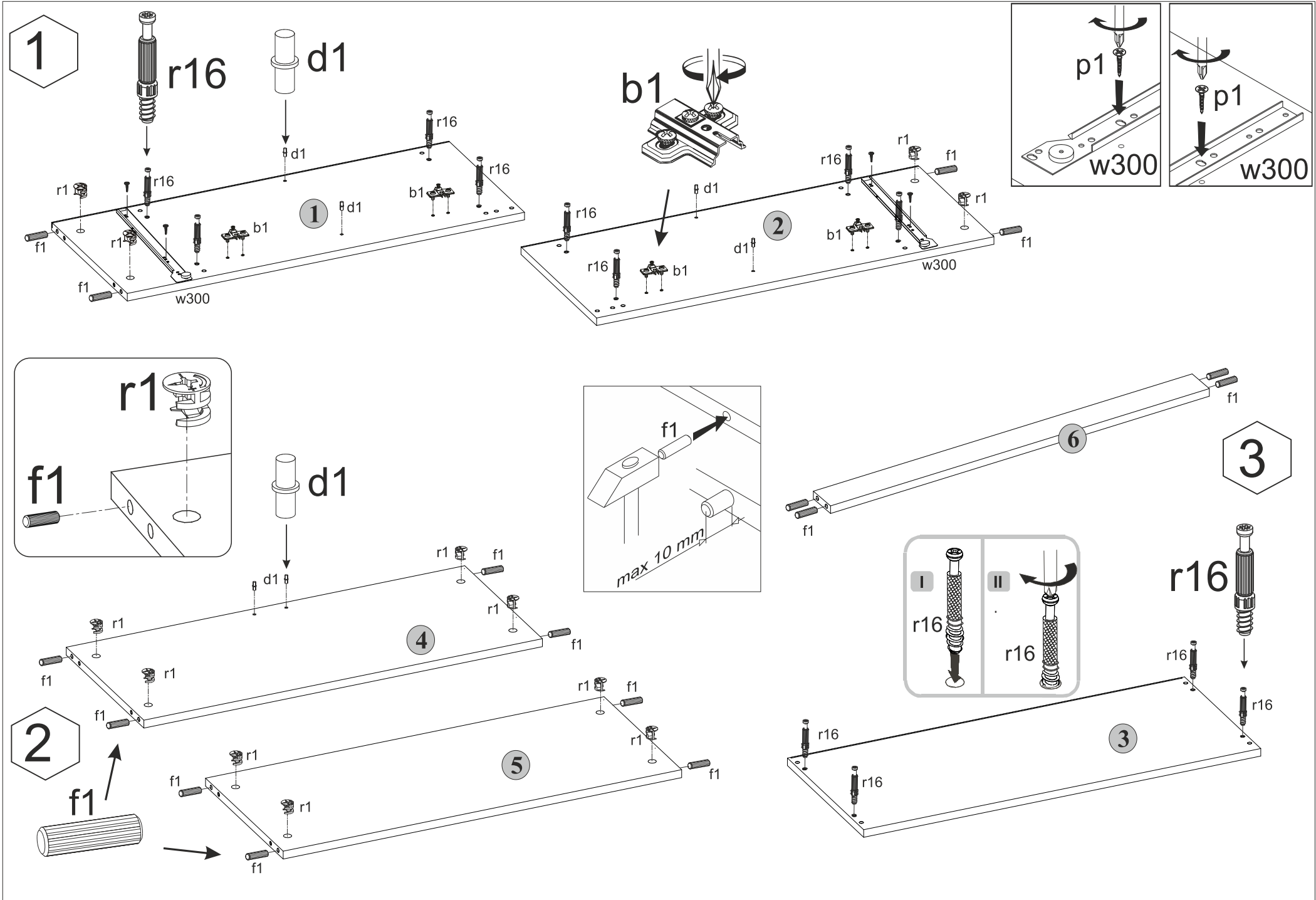


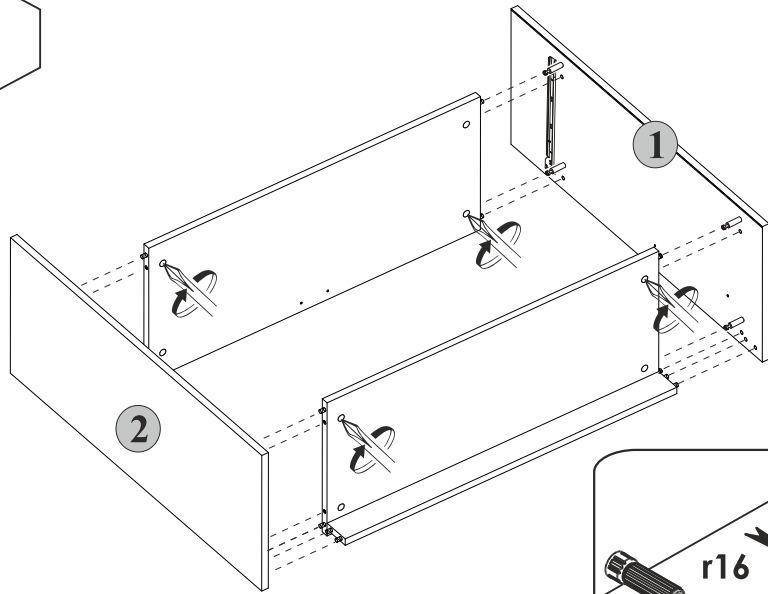
TEYO 2D1S



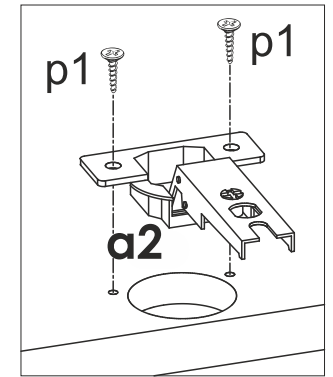
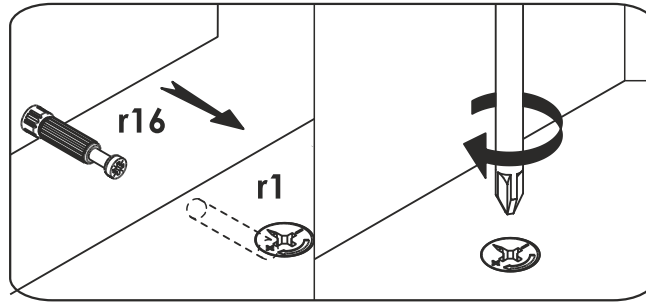
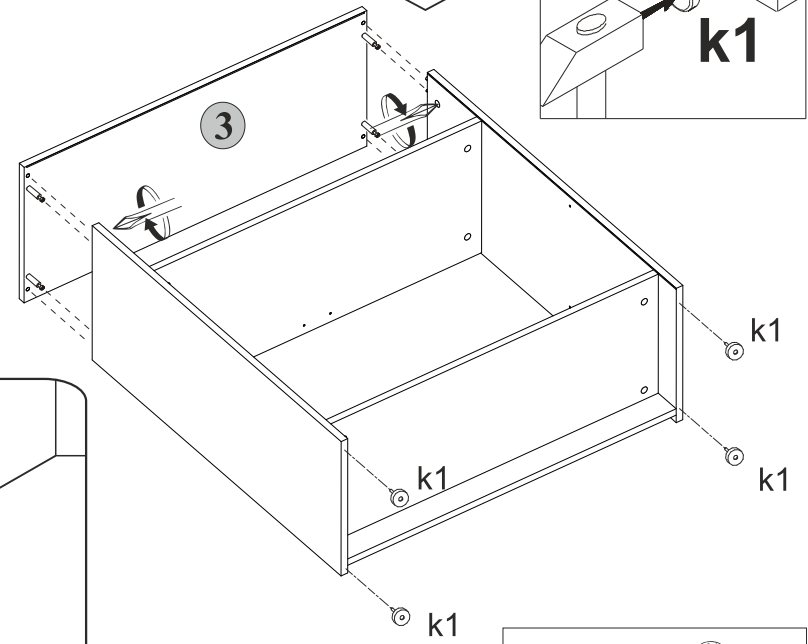
| | | | | | |
|--|---|---|--|--|---|
| 4x  k1 | 8x  e2 φ5.3x13 mm | 1x  w300 | 1x  y1 | 4x  c114 | 4x  d6 |
| 6x  d1 φ5x17 mm | 14x  r16 | 4x  a2 | 8x  p78 φ4x27 mm | 50x  l1 1x16 | 14x  r1 φ15 #16 |
| 20x  p1 φ3.5x13 mm | 14x  s2 | 4x  b1 | 24x  f1 φ8x30 mm | 2x  e1 7x50 | 1x  z1 |
| | | | | | 2x  s1 |



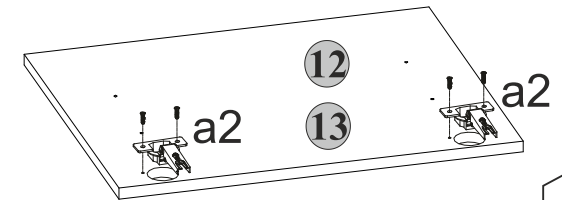
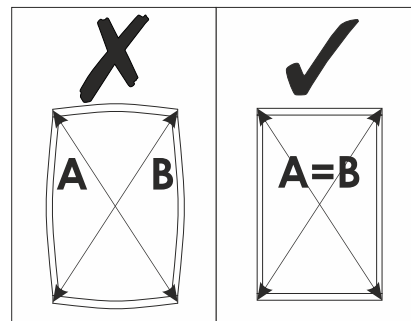
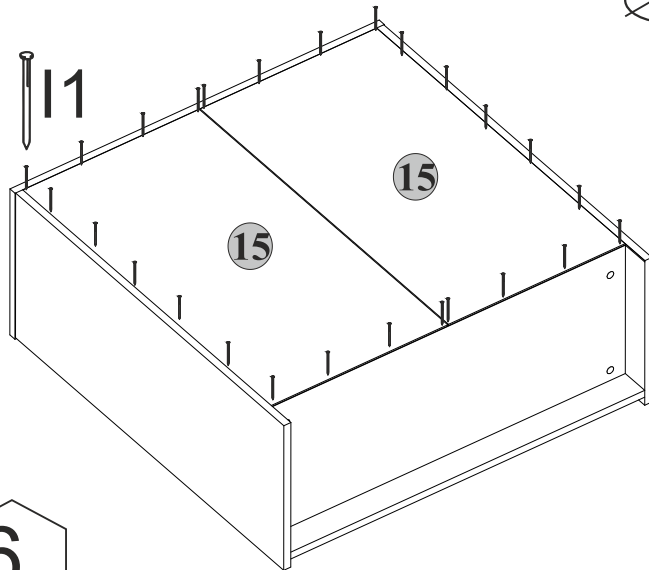
4



5



6



7

