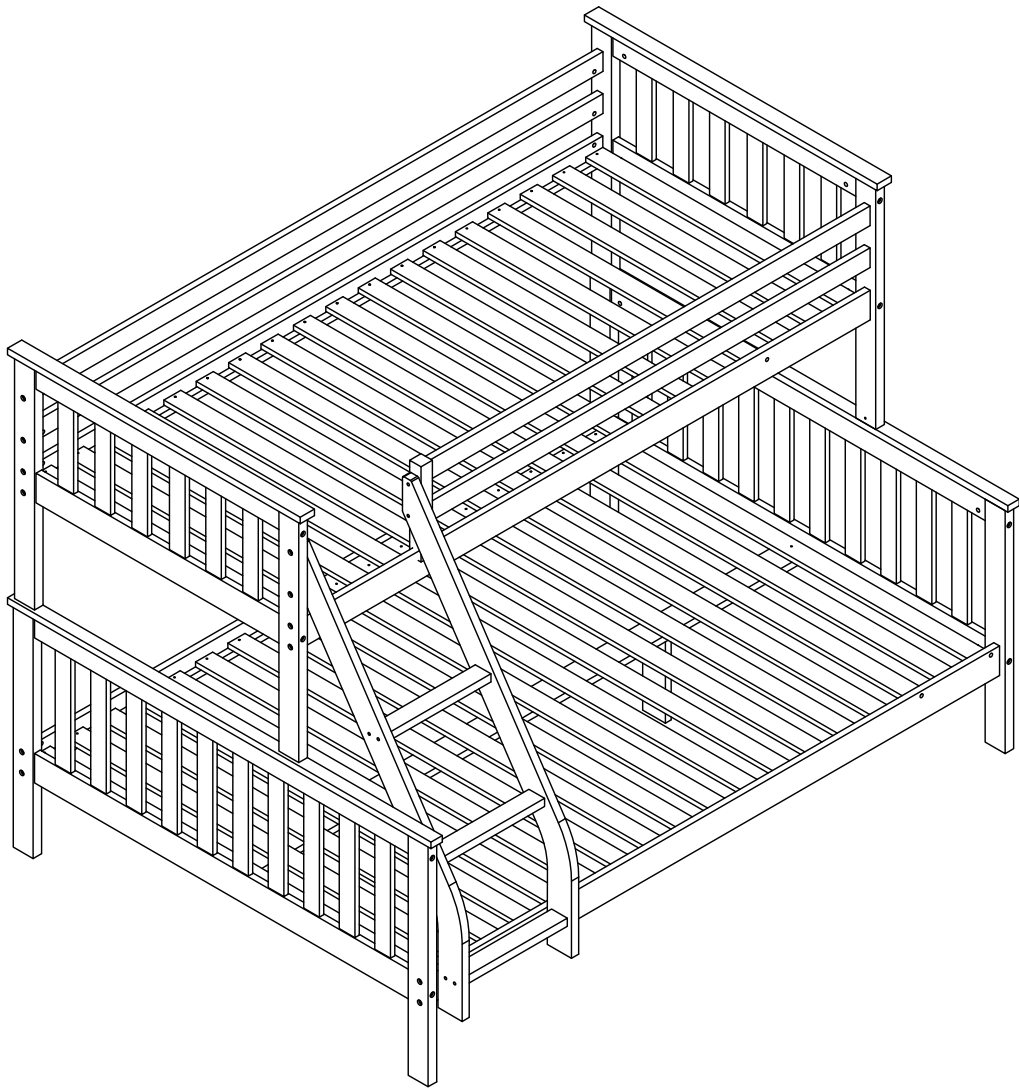






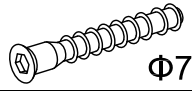

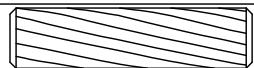
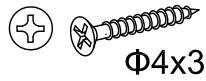




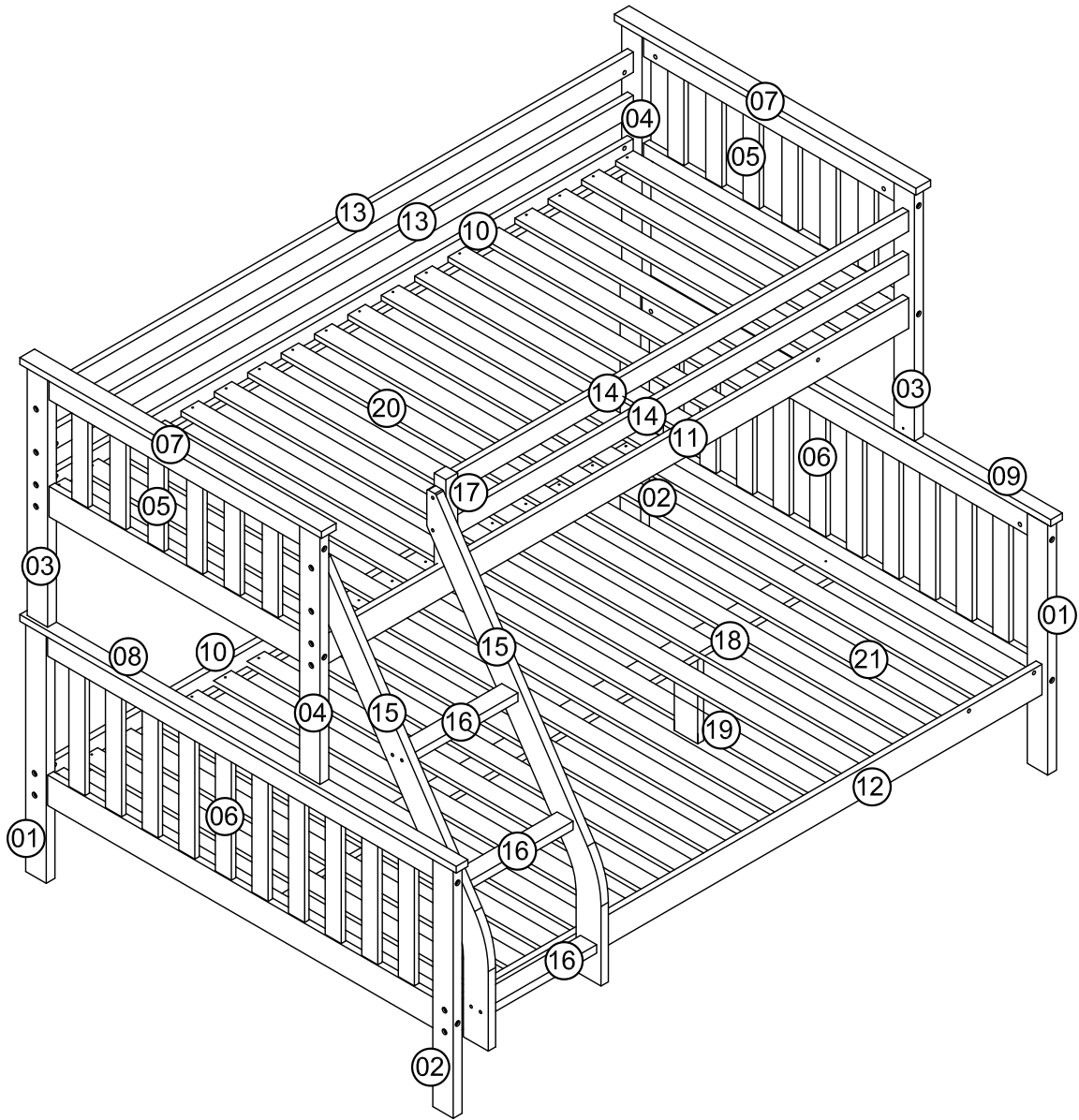
LUINI

B1266

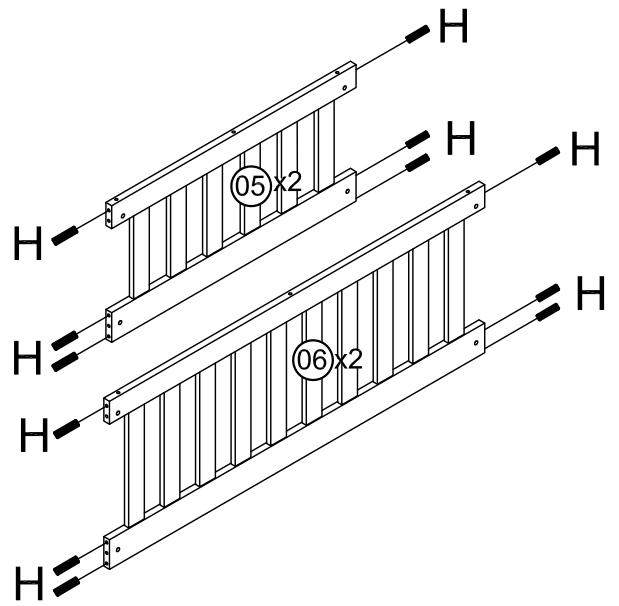
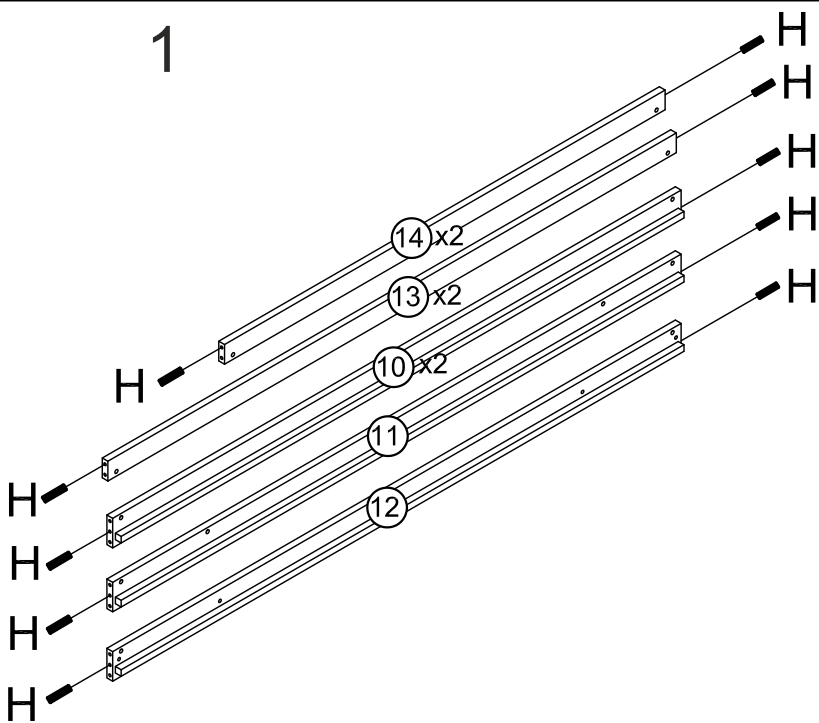


A	 M6x60mm	22
B	 M6x100mm	18
C	 M6	40
D	 M6x30mm	03
E		03
F	 M6x70mm	12

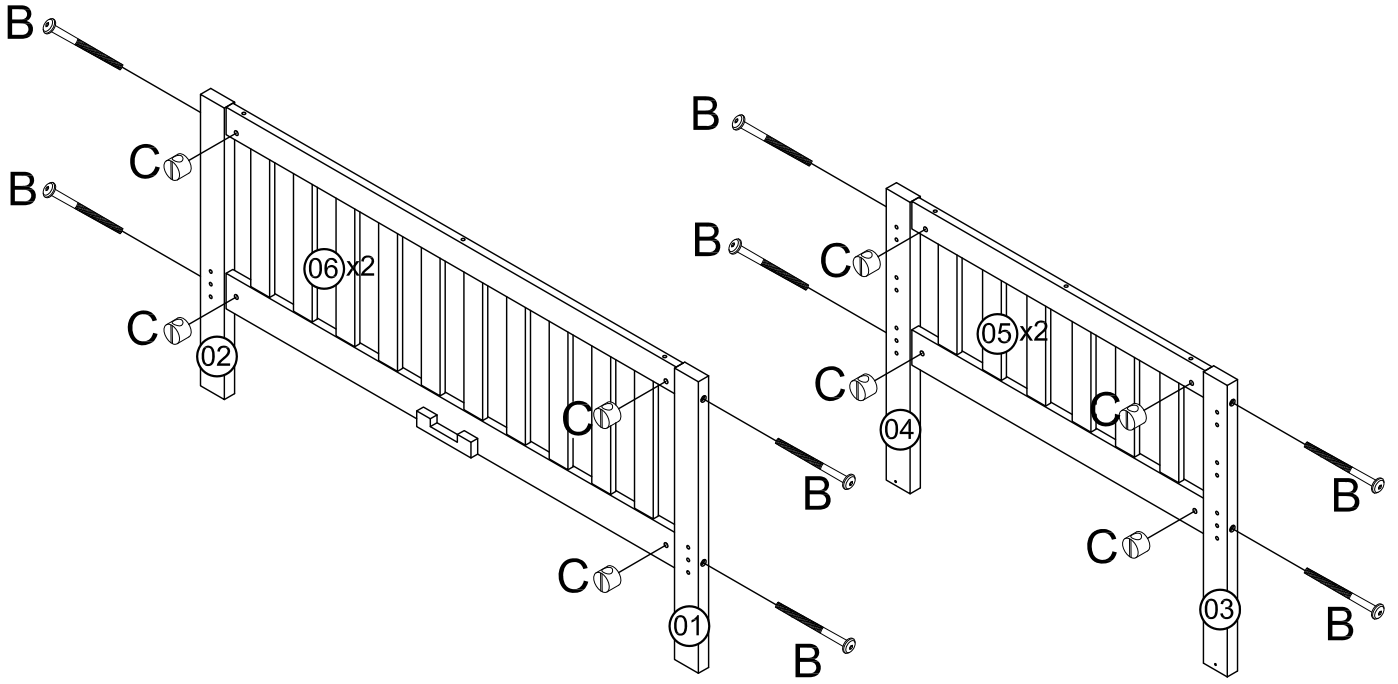
G	 $\Phi 7 \times 60 \text{mm}$	18
H	 $\Phi 8 \times 30 \text{mm}$	40
I	 $\Phi 12 \times 80 \text{mm}$	04
J	 $\Phi 4 \times 30 \text{mm}$	78
K	 $\Phi 15 \text{mm}$	40
L		02





1

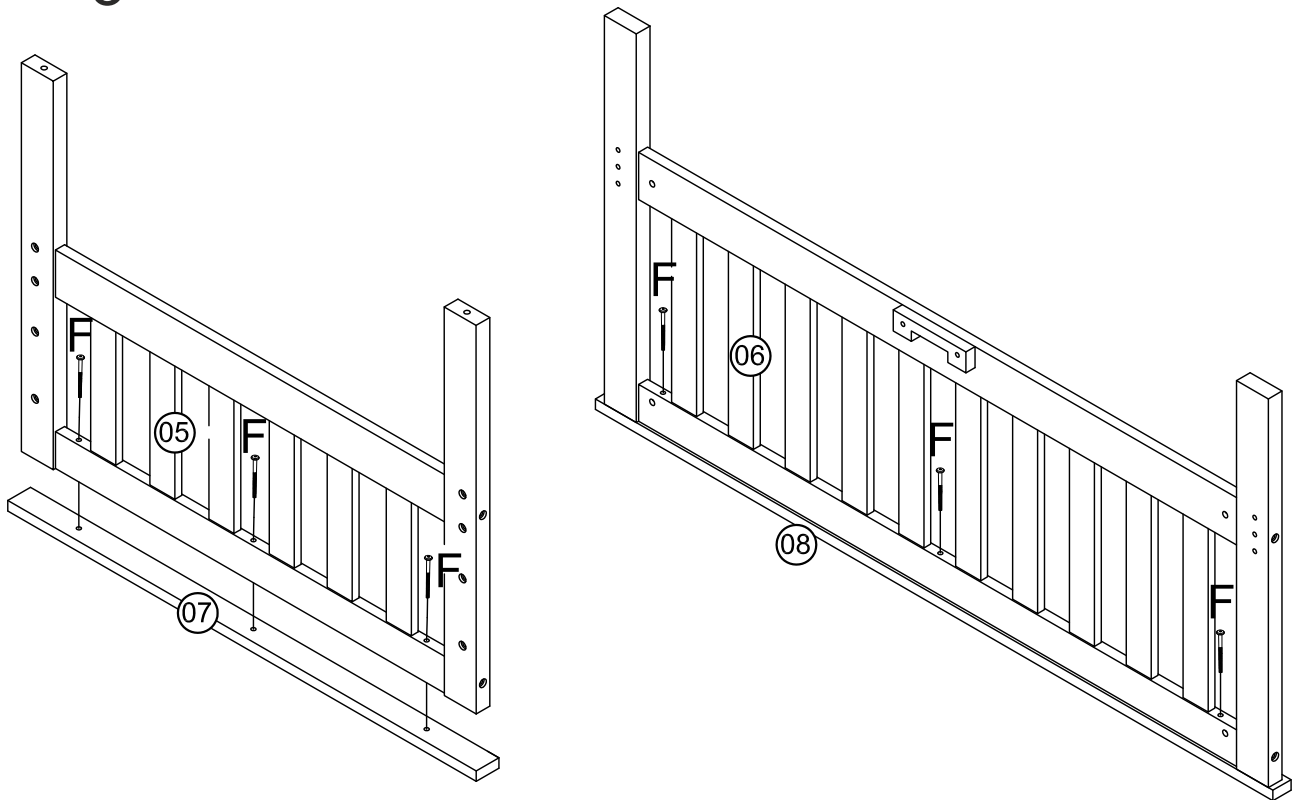


2




B	 M6x100mm	16
C	 M6	16

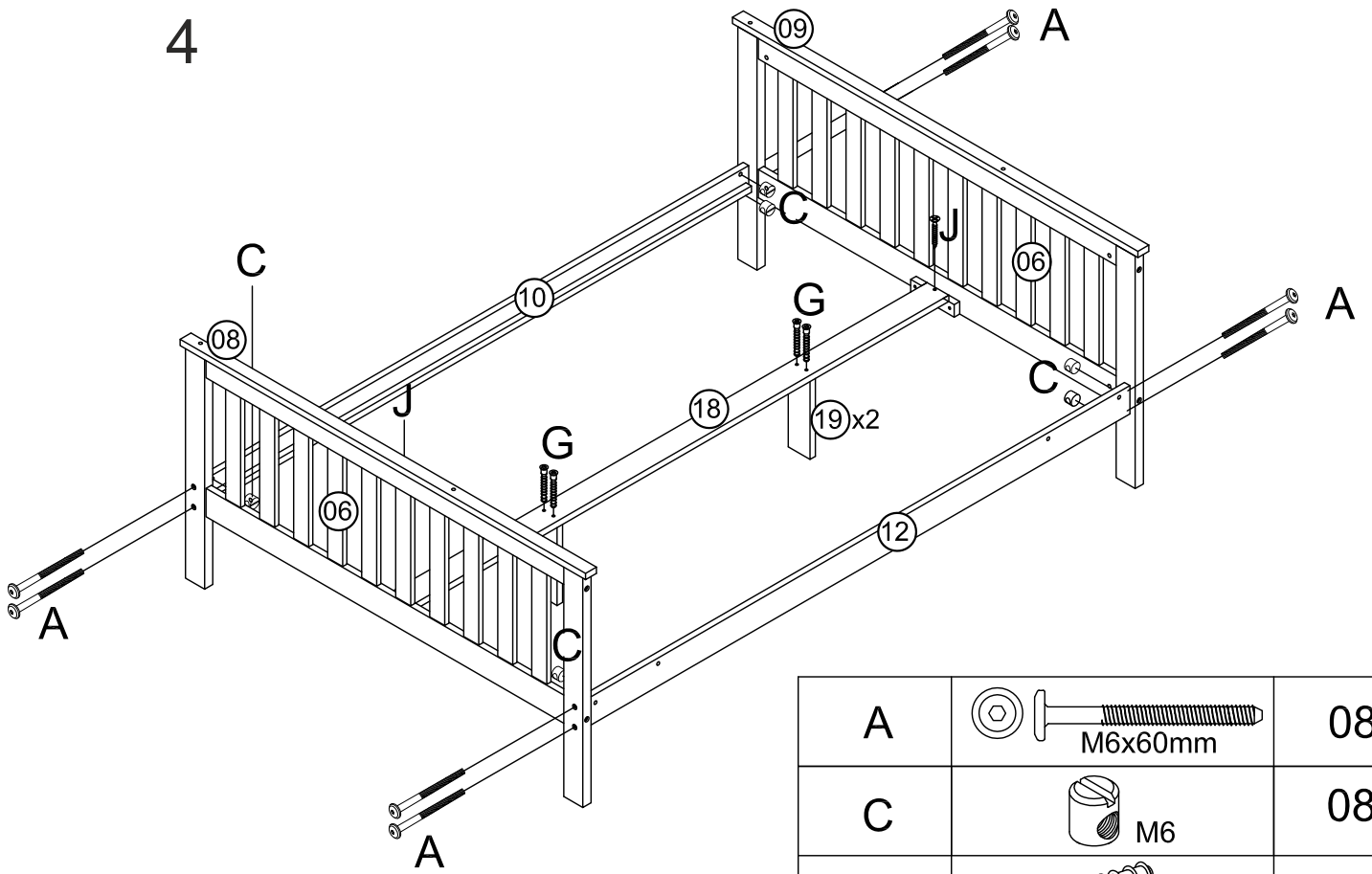
3

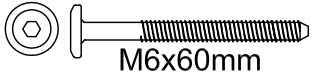

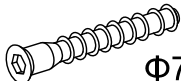



3/7

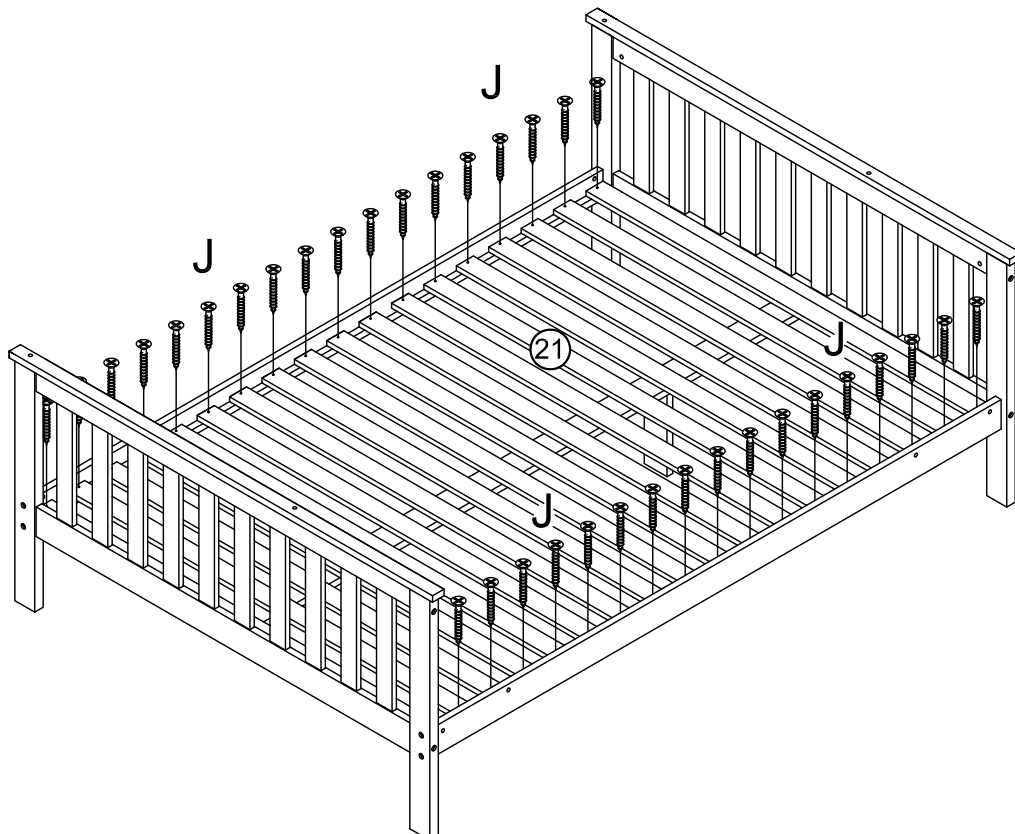
F	 M6x70mm	12
---	---	----

4




A	 M6x60mm	08
C	 M6	08
G	 Φ7x60mm	04
J	 Φ4x30mm	02

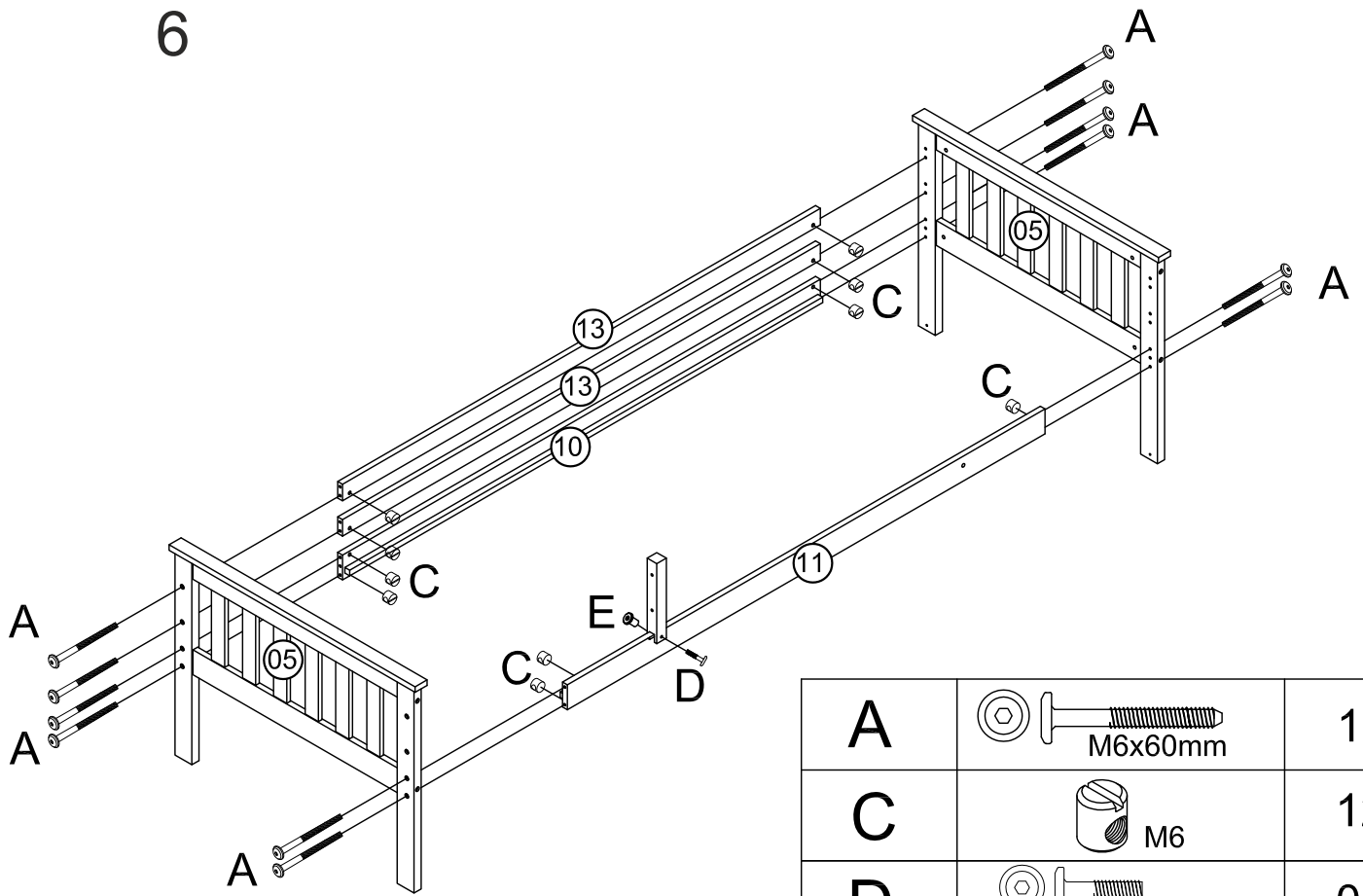
5







4/7

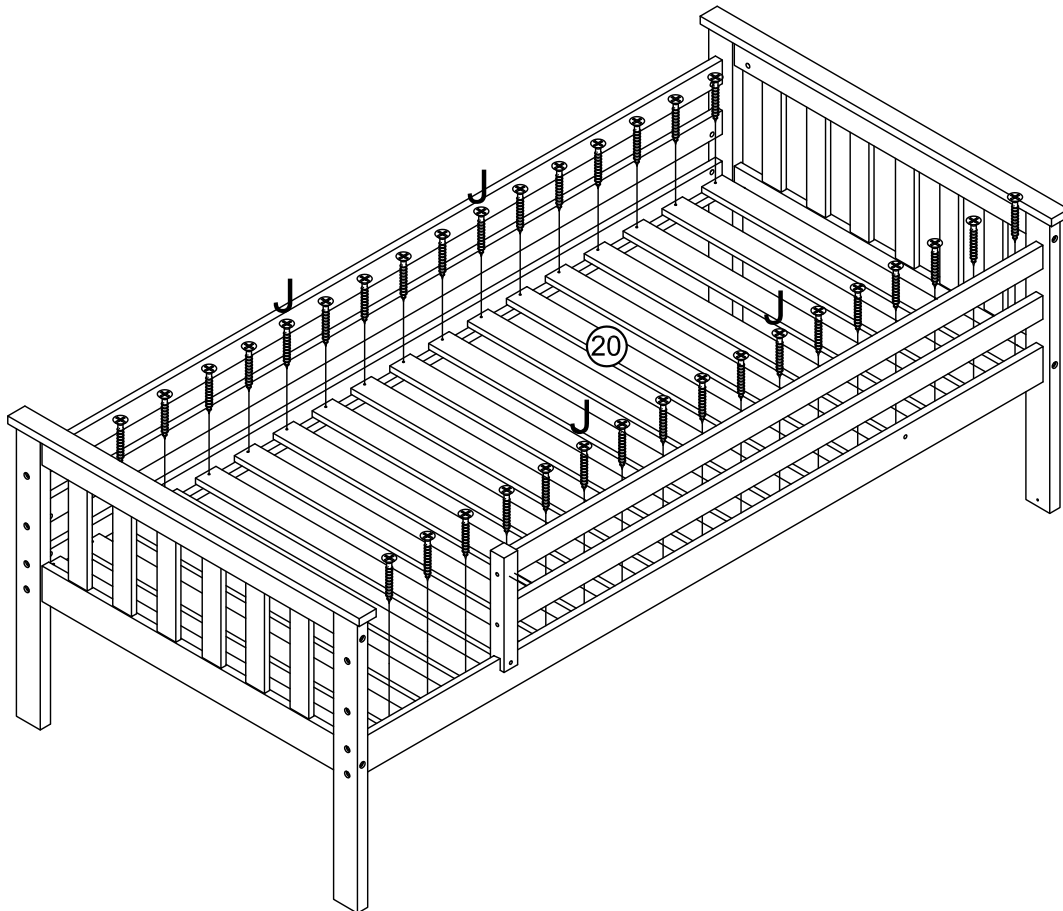
J	 Φ4x30mm	36
---	--	----


6



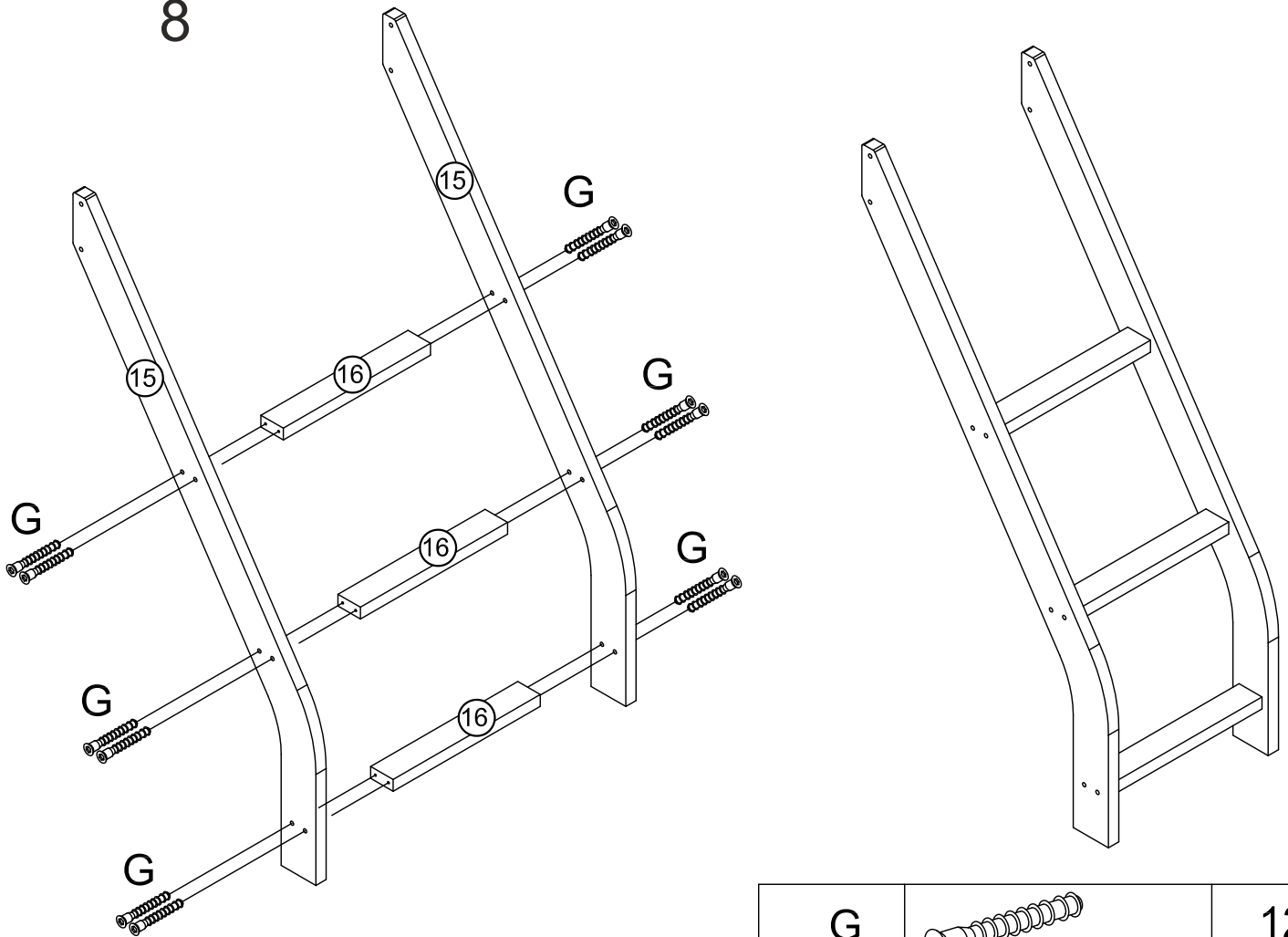
A	 M6x60mm	12
C	 M6	12
D	 M6x30mm	01
E		01

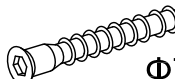
7



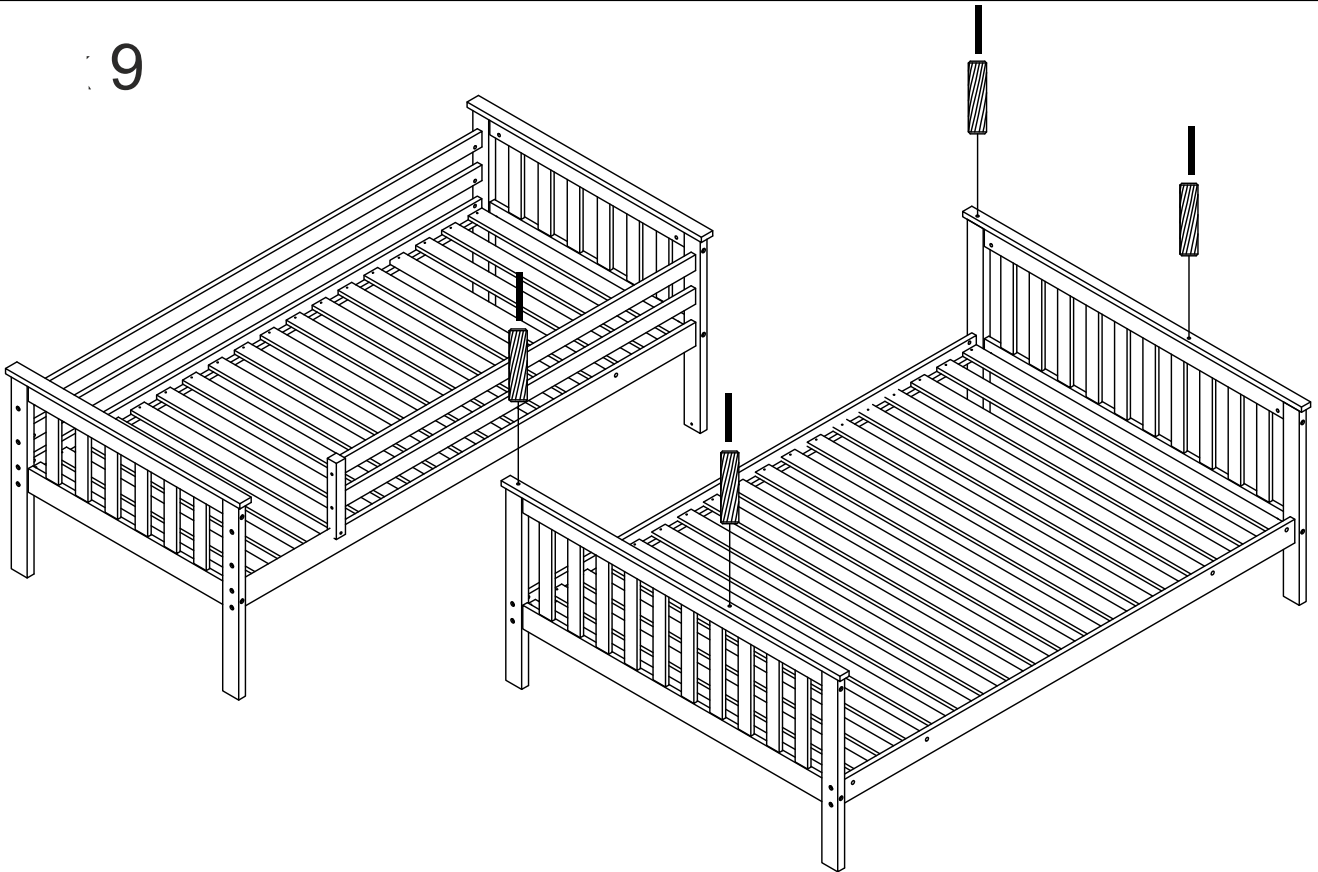
J	 Φ4x30mm	36
---	---	----


8



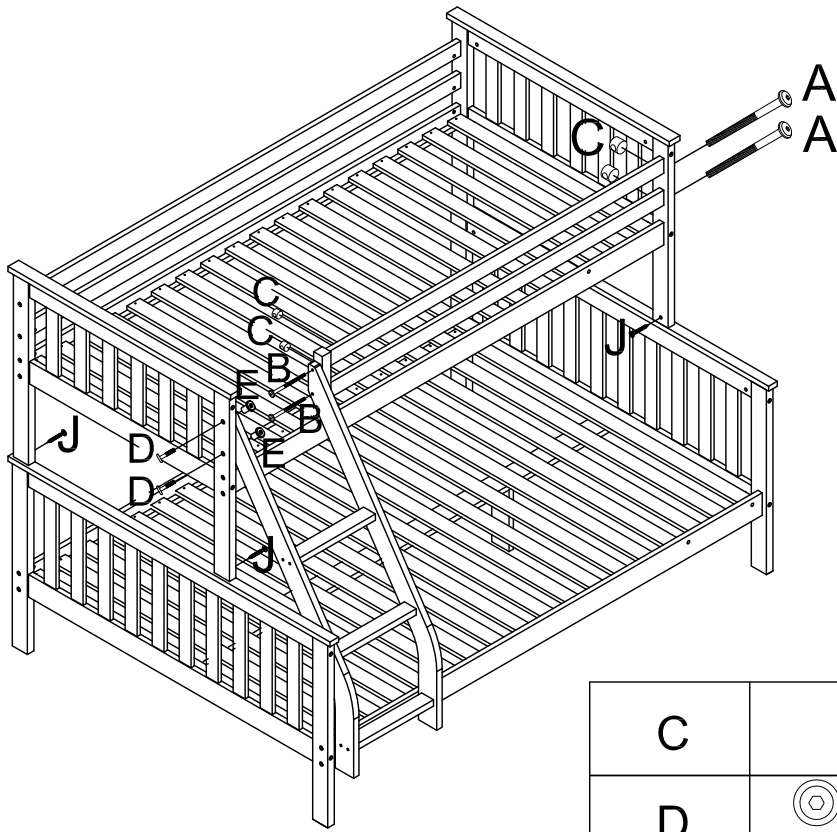
G	 $\Phi 7 \times 60 \text{mm}$	12
---	--	----

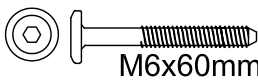
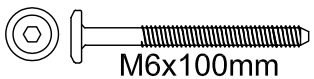
9







6/7	I	 $\Phi 12 \times 80 \text{mm}$	04
-----	---	---	----

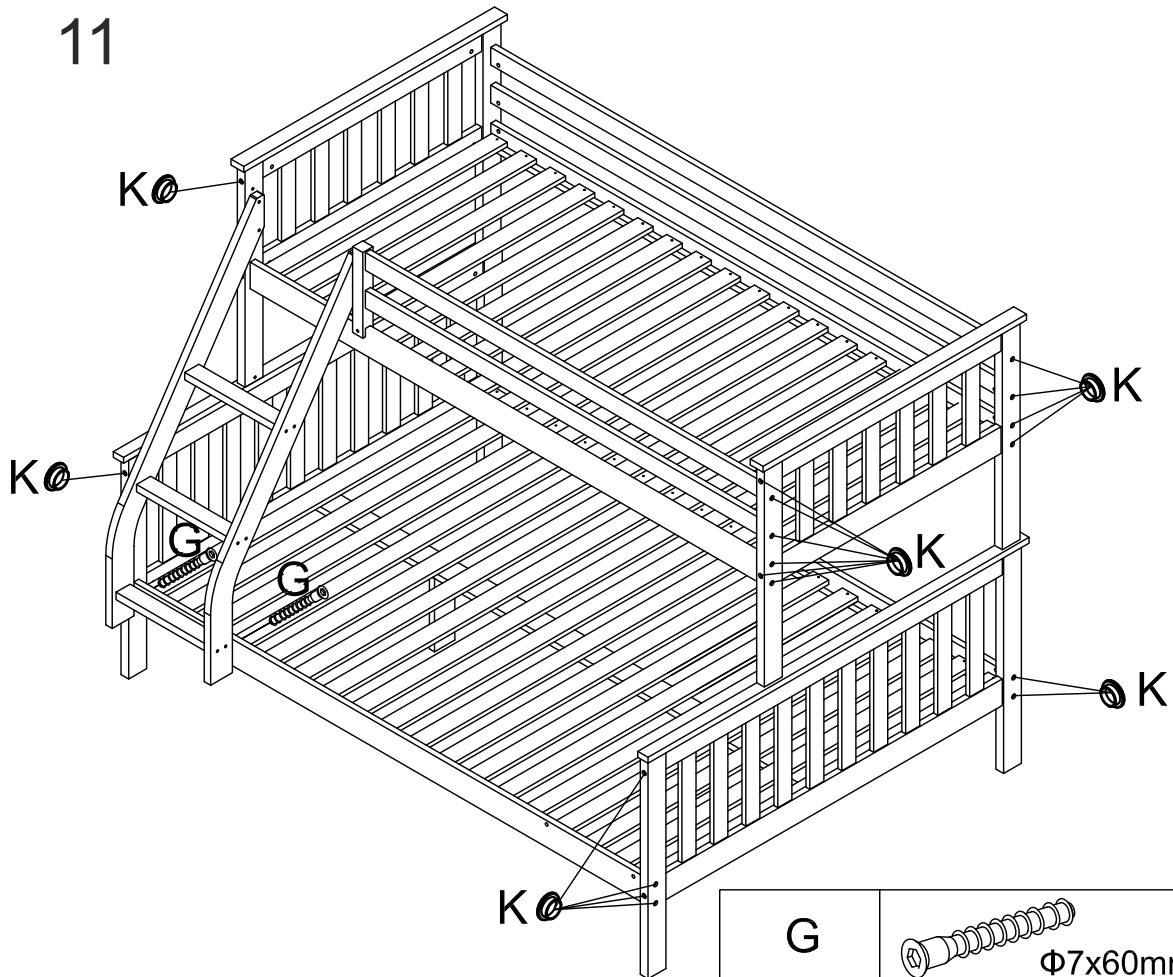
10

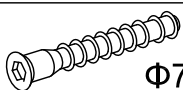



A		02
B		02

C	 M6	04
D	 M6x30mm	02
E		02
J	 Φ4x30mm	04

11



G	 Φ7x60mm	02
K		40

717