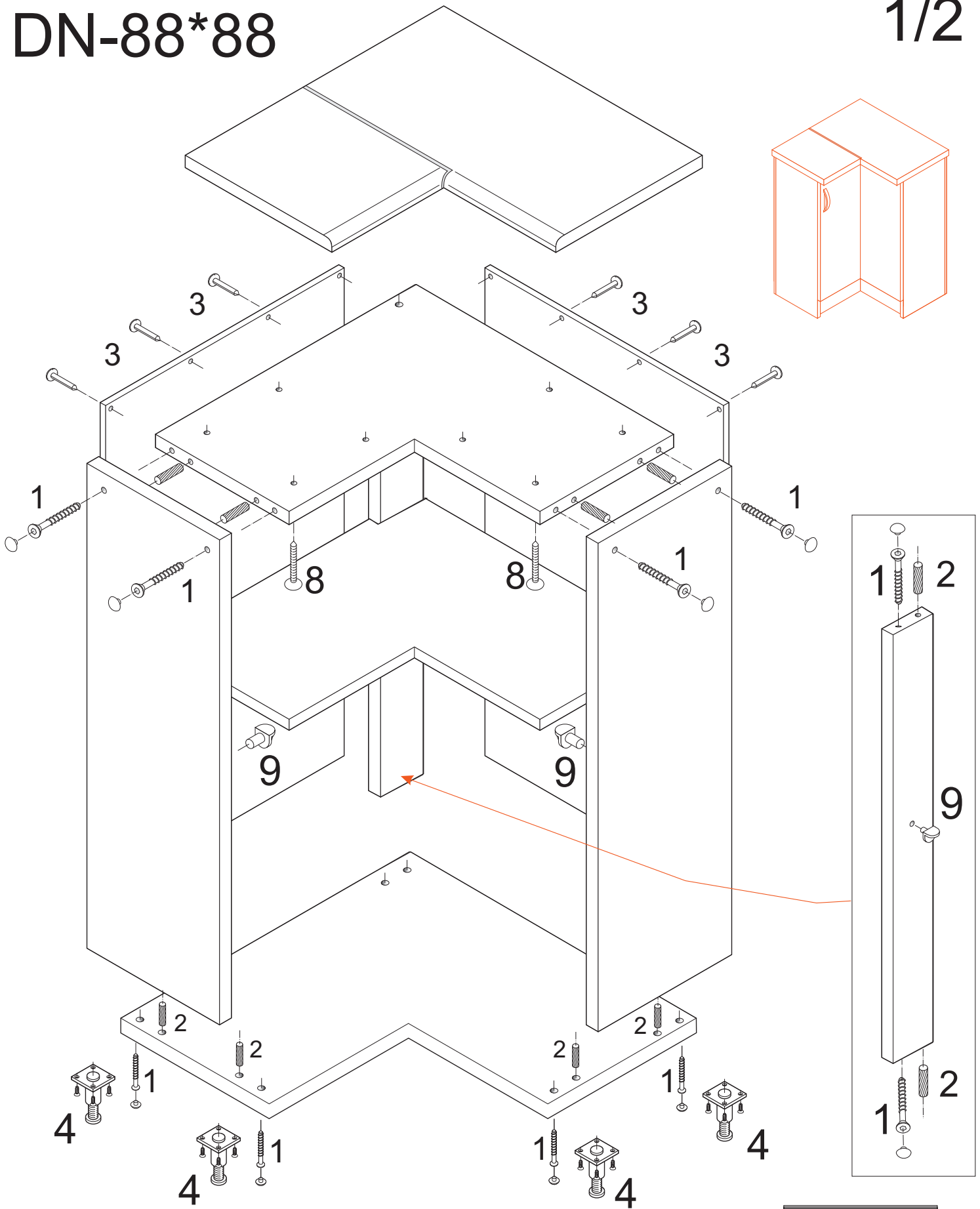
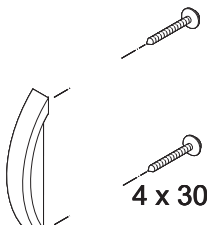
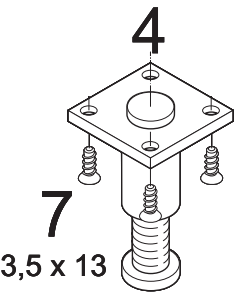
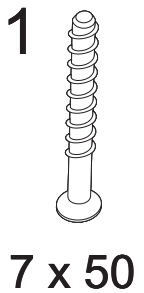
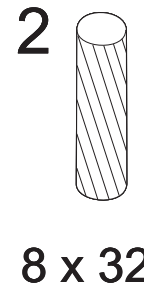
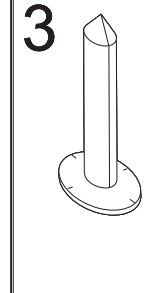
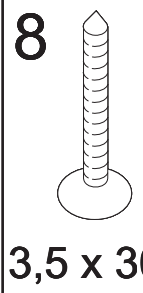
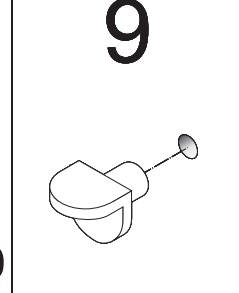


DN-88*88

1/2



 <p>4 x 30</p>	 <p>7 3,5 x 13</p>	 <p>1 7 x 50</p>	 <p>2 8 x 32</p>	 <p>3</p>	 <p>8 3,5 x 30</p>	 <p>9</p>
--	---	---	---	---	---	--

