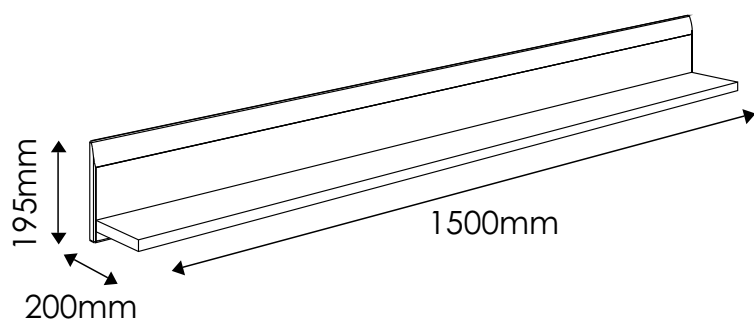
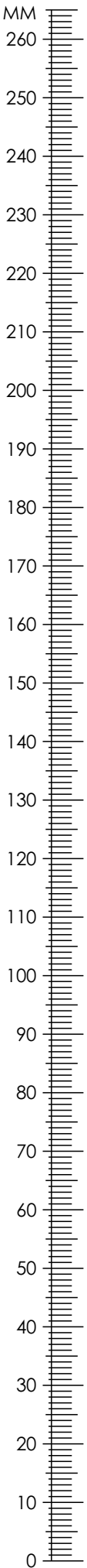


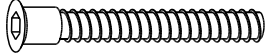

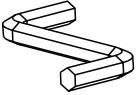

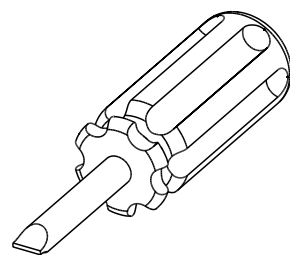
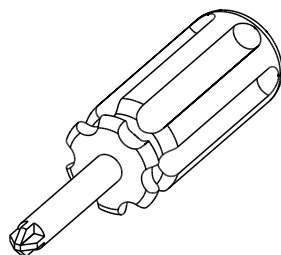
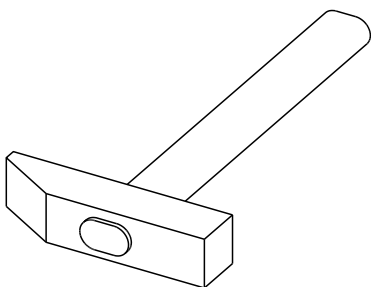
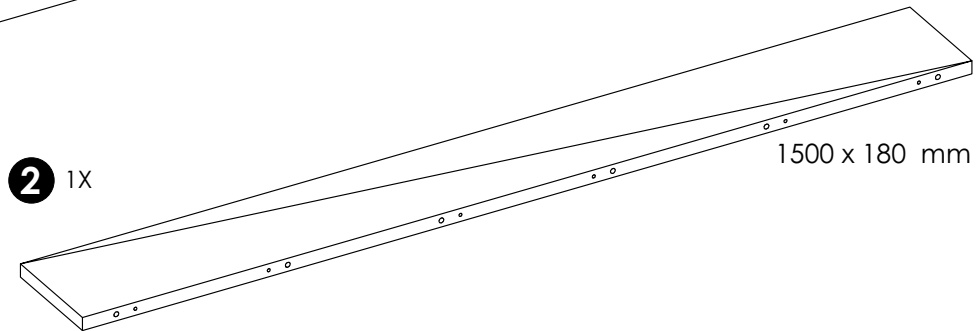
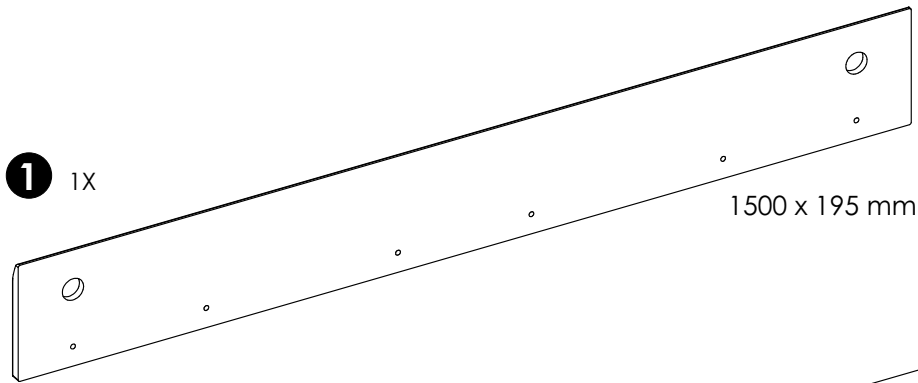


# LYNATET 60

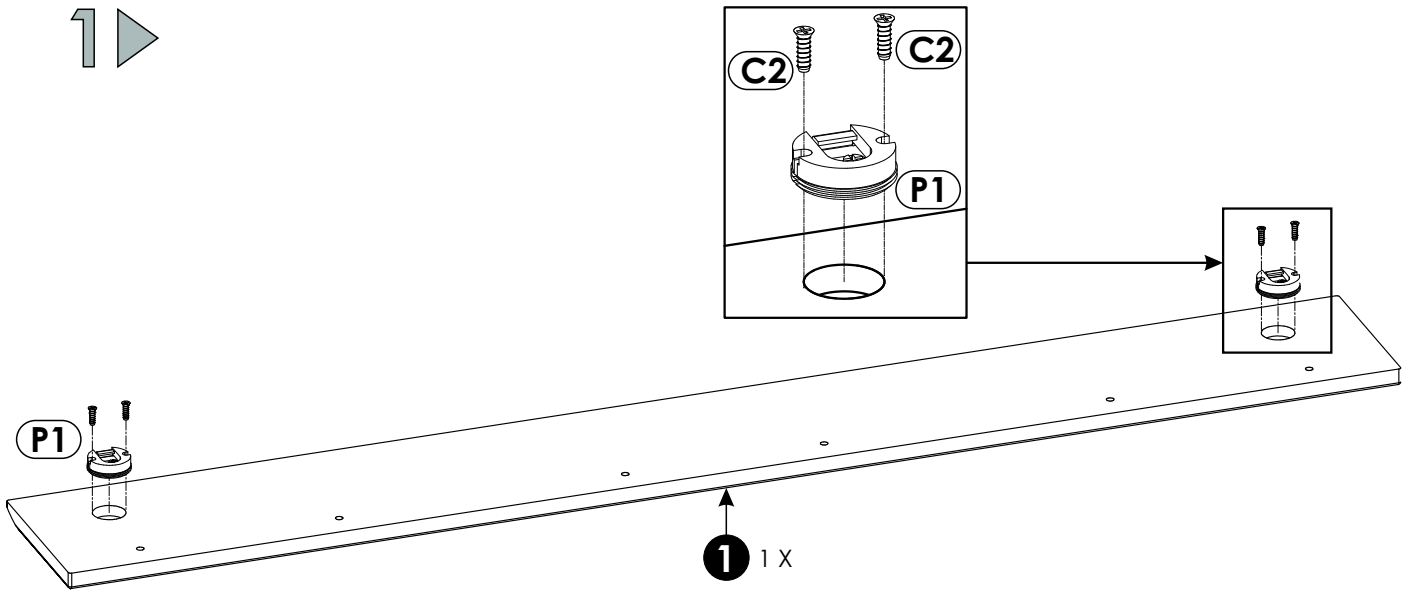




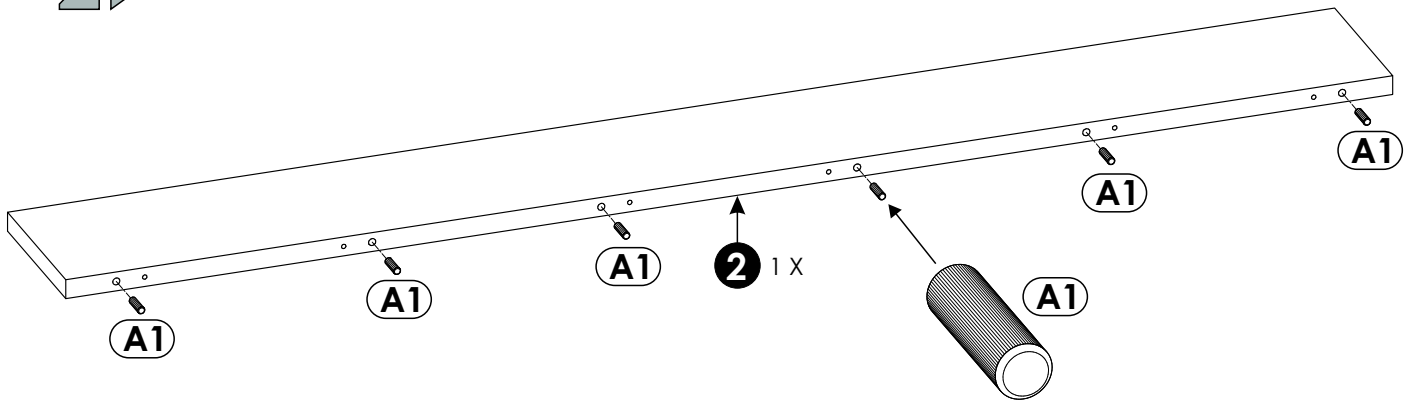
<b>A1</b> 6 X $\varnothing 8 \times 35\text{mm}$ 	<b>G0</b> 6 X 	<b>G1</b> 6 X $\varnothing 7 \times 50\text{mm}$ 
<b>C2</b> 4 X EURO 5 x 13mm 	<b>M</b> 1 X 	<b>P1</b> 2 X 



1 ▶



2 ▶



3 ▶

