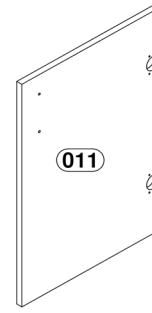
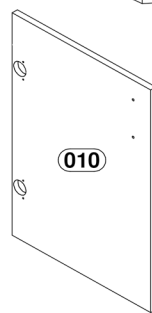
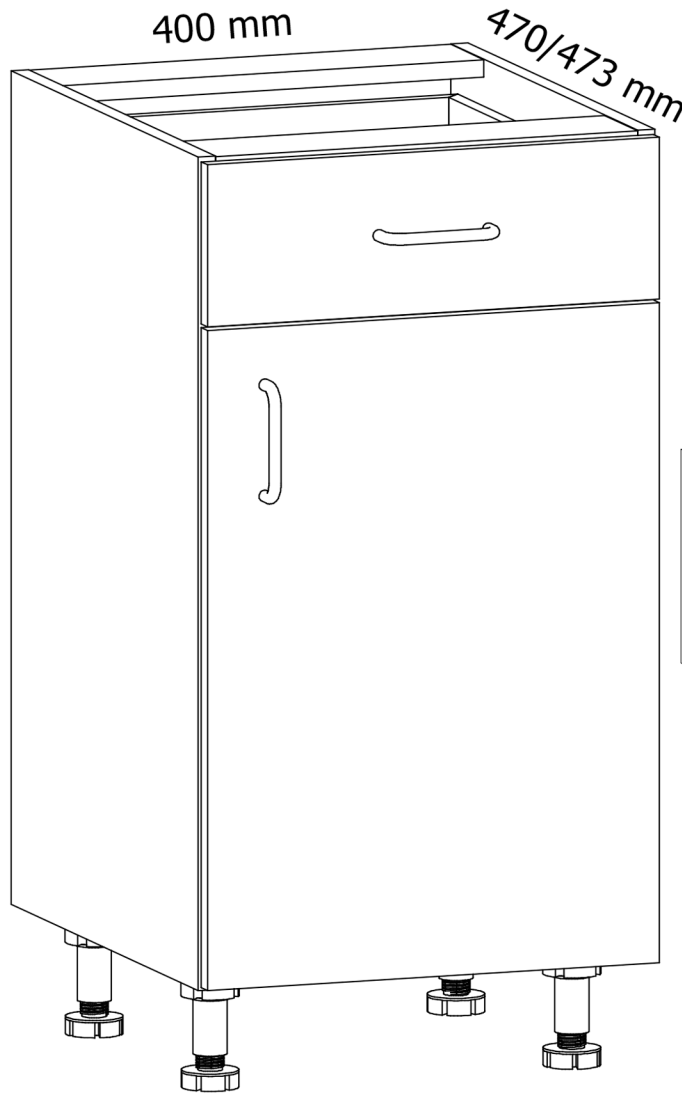
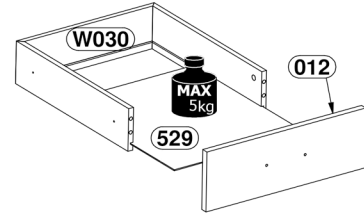
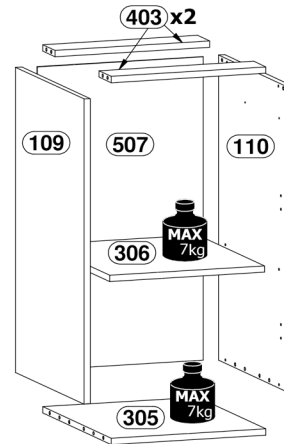
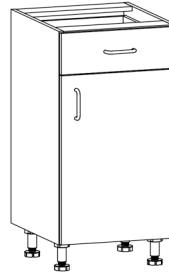


D40S1

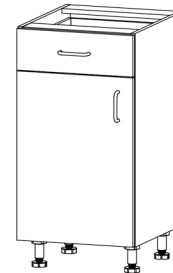
S40/1SZ



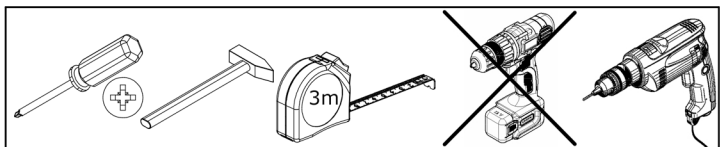
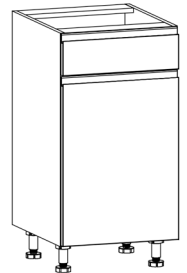
D40S1(P) / S40/1SZ



D40S1(L)

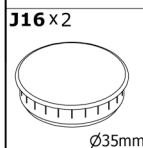


S40/1SZ

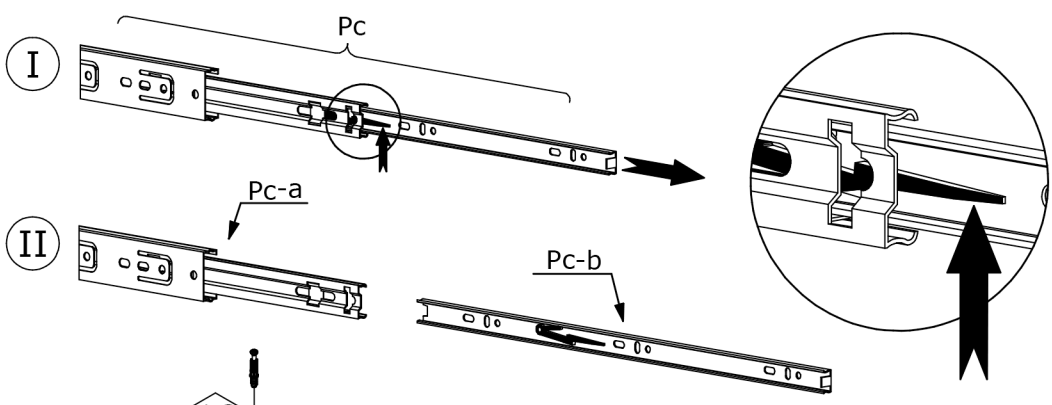
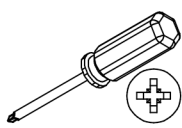


A1 x14 Ø8x35mm	B1 x10 Ø5x38mm	C1 x8 Ø15x12mm	C2 x2 Ø12x10mm	E4 x4 9x11mm
G1 x22 26mm	J x 2 Ø21mm	L1 x 4 Ø50x95mm	Pc x 2 400mm	U x 2
X x 4 	W1 x 6 Ø3,5x13mm	W2 x 24 Ø3,5x16mm	Zc1 x 2 	Zc2 x 2

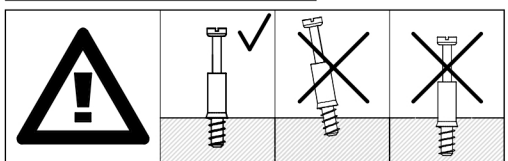
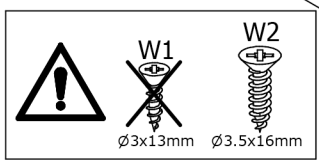
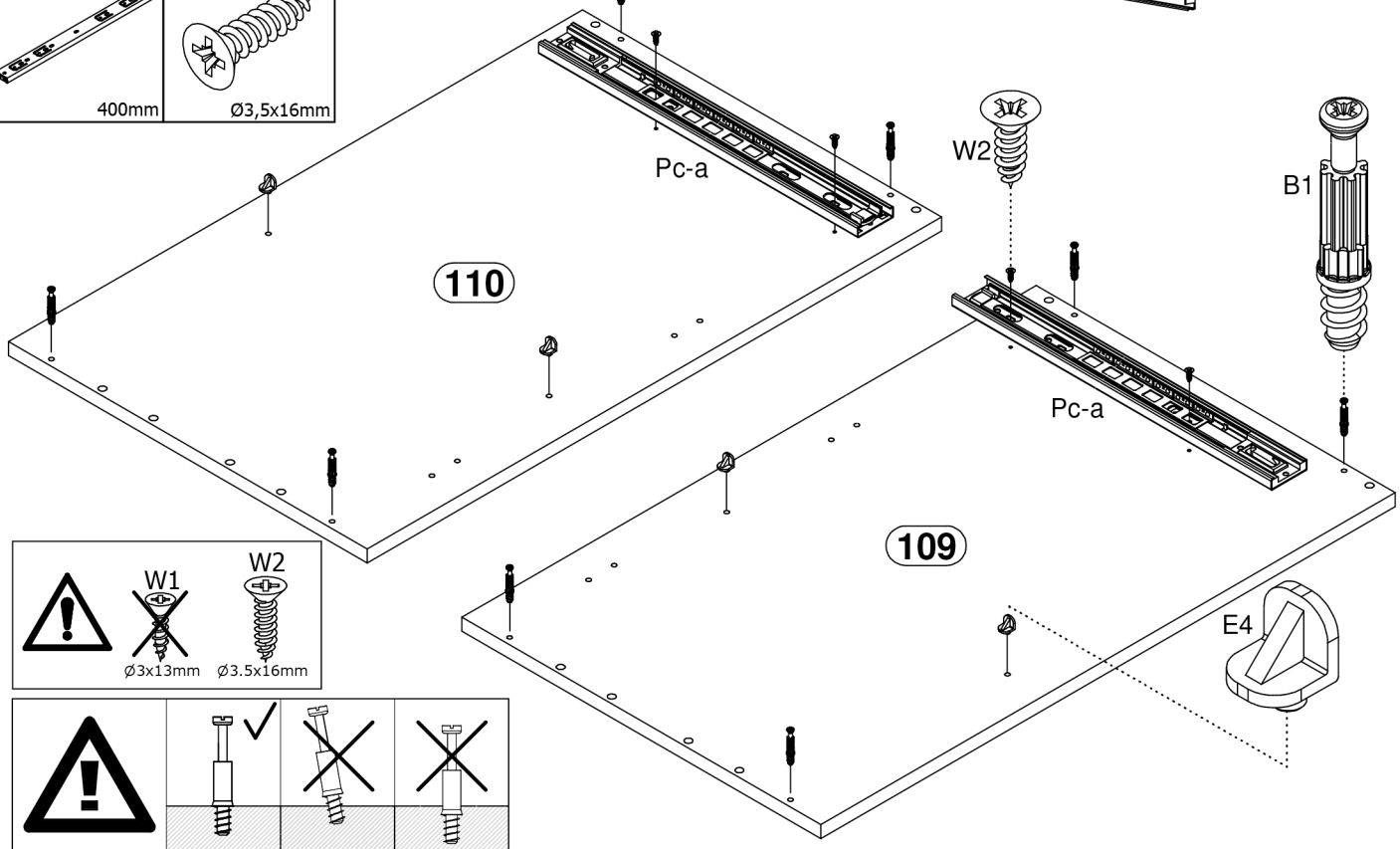
S40/1SZ



1

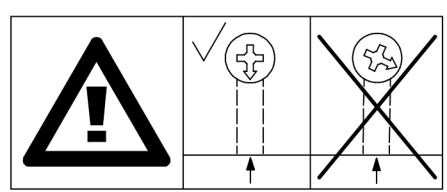
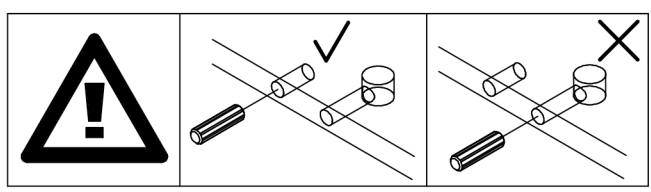
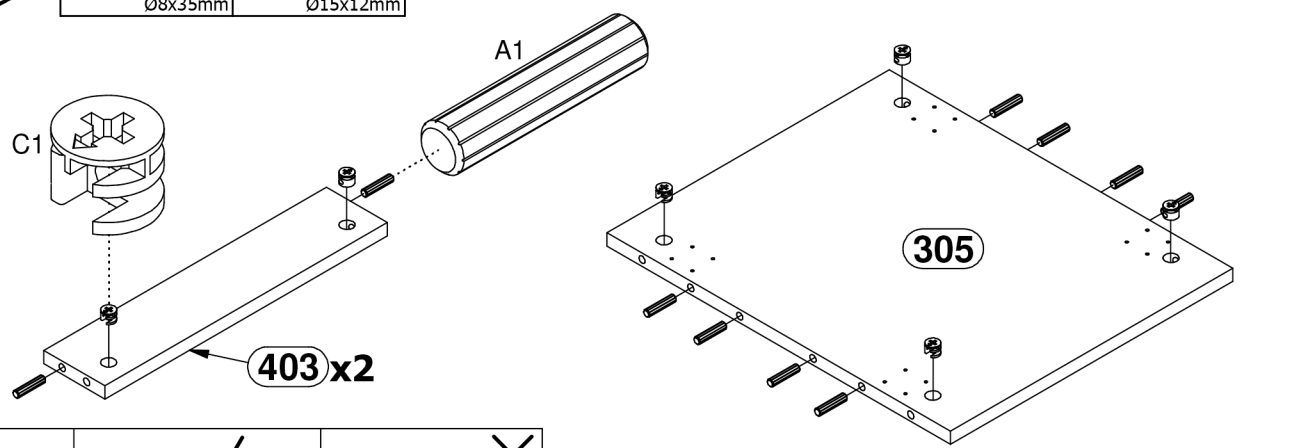


- B1 x8**
Ø5x38mm
- E4 x4**
9x11mm
- Pc x2**
400mm
- W2 x4**
Ø3,5x16mm



2

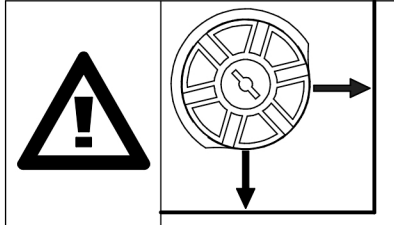
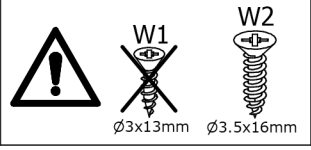
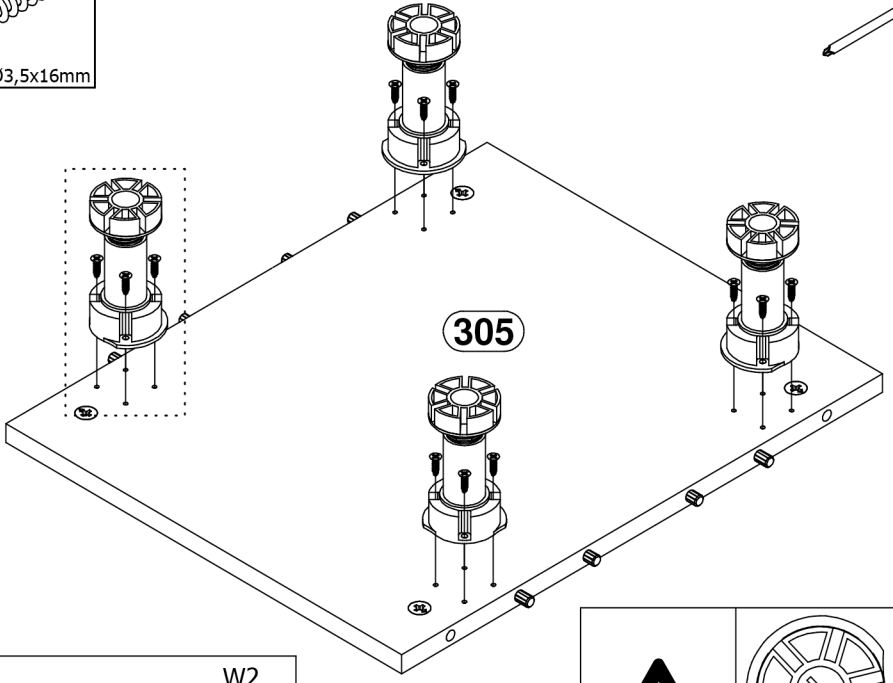
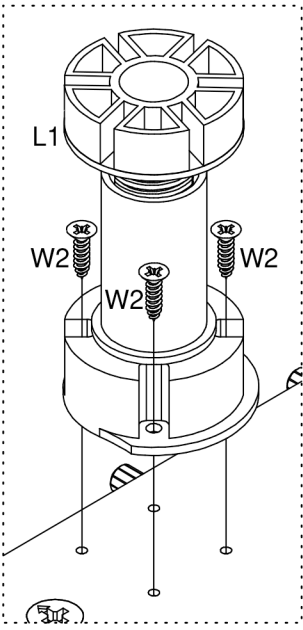
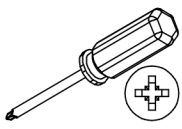
- A1 x12**
Ø8x35mm
- C1 x8**
Ø15x12mm



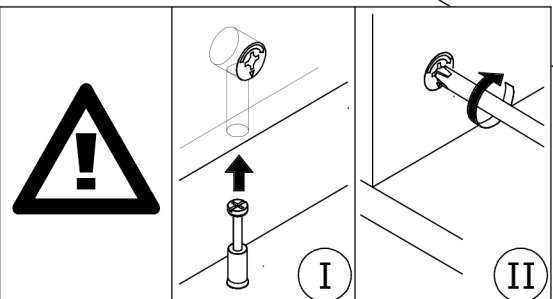
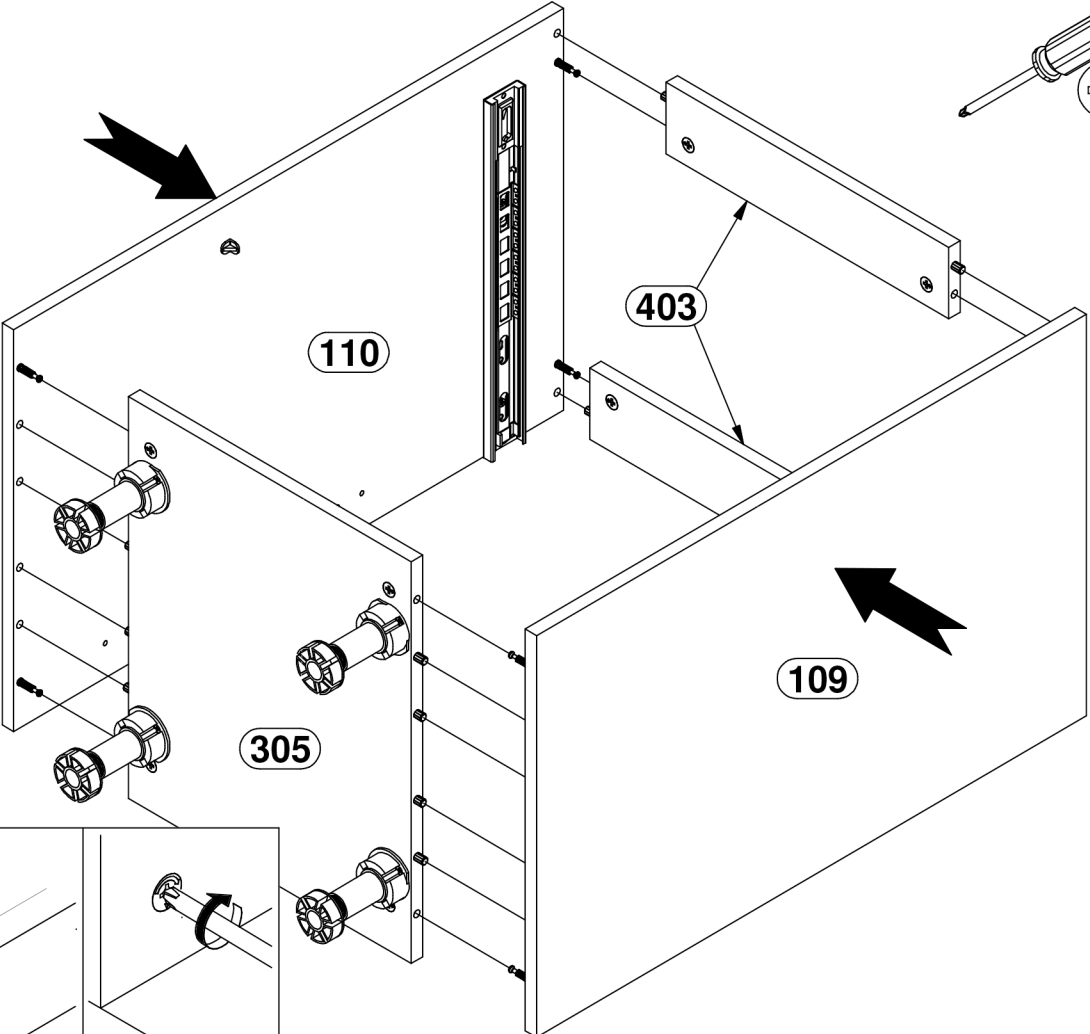
3

L1 x 4
Ø50x95mm

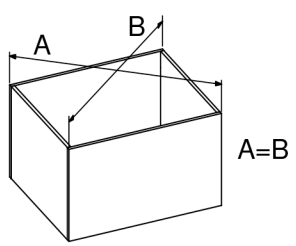
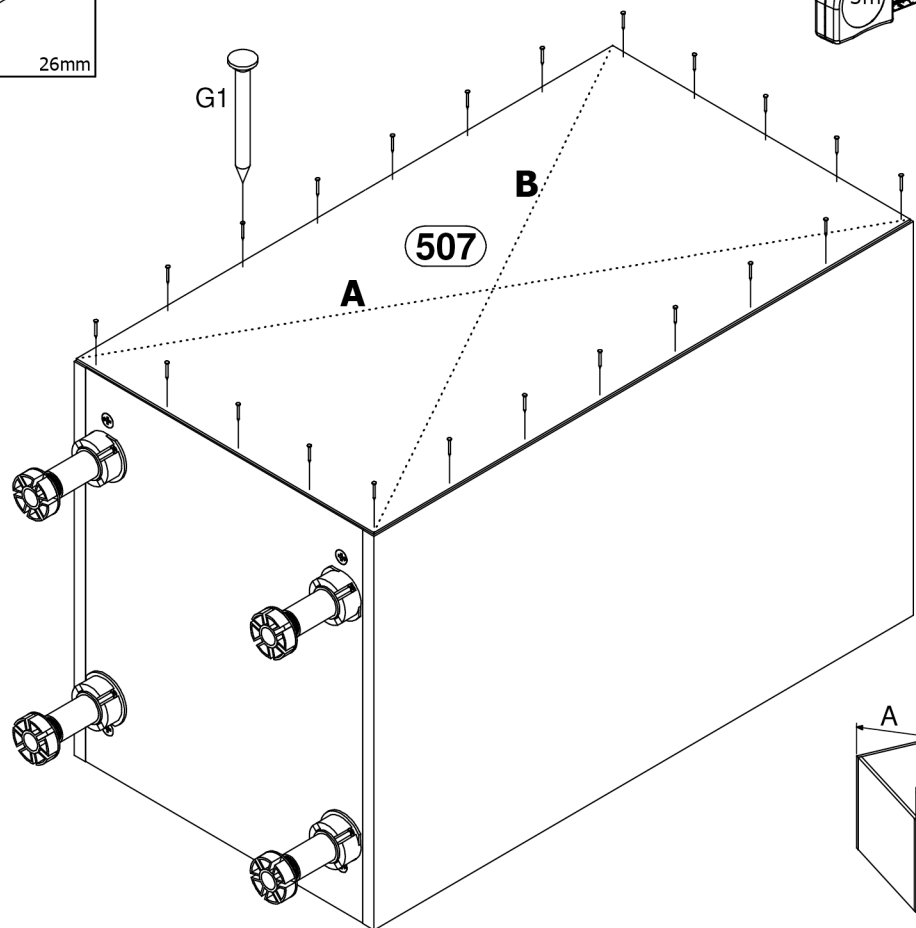
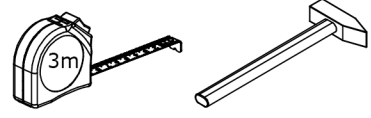
W2 x 16
Ø3,5x16mm



4

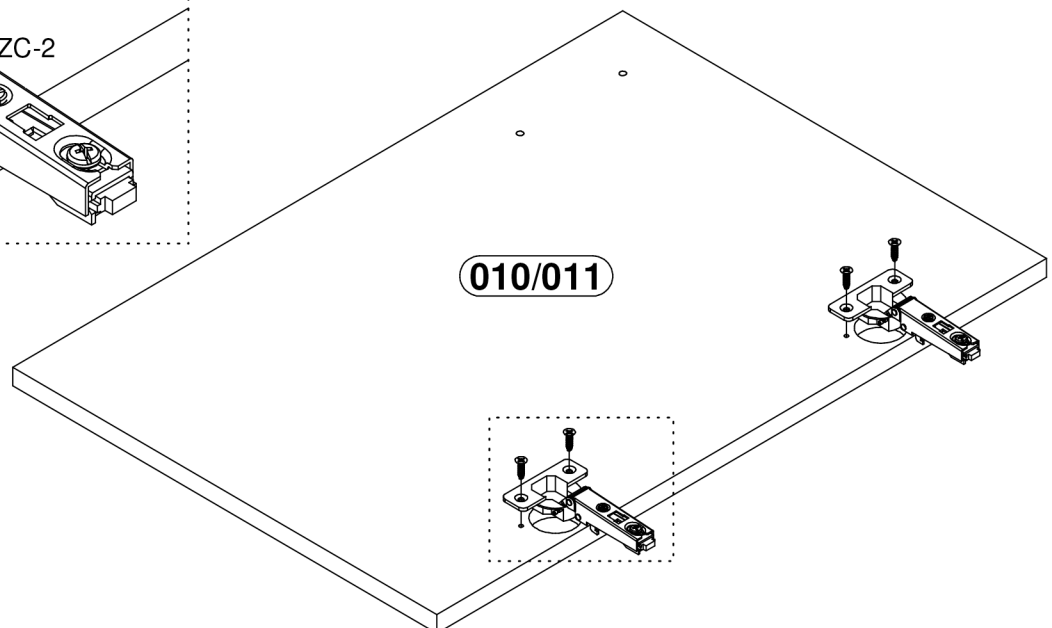
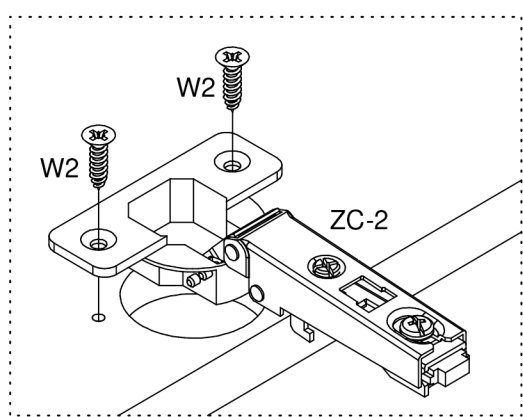
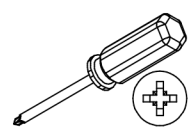
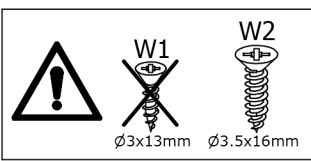
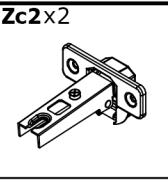
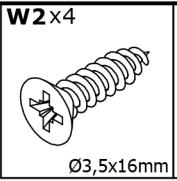


5

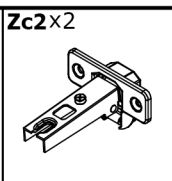
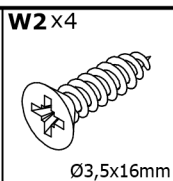
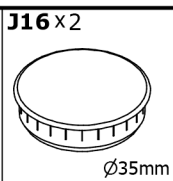



A=B ≡ 90°

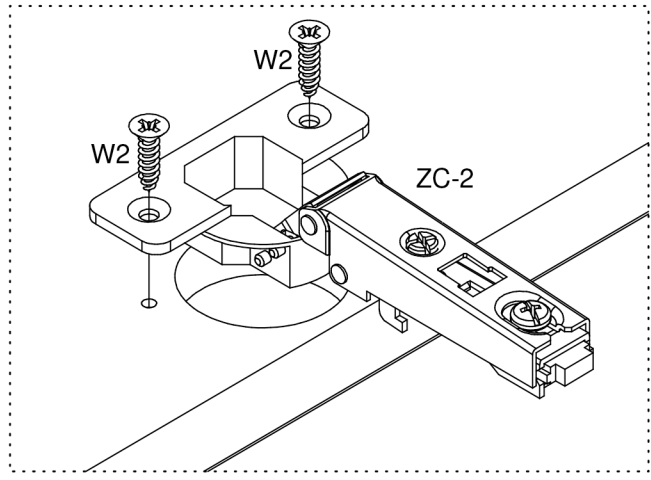
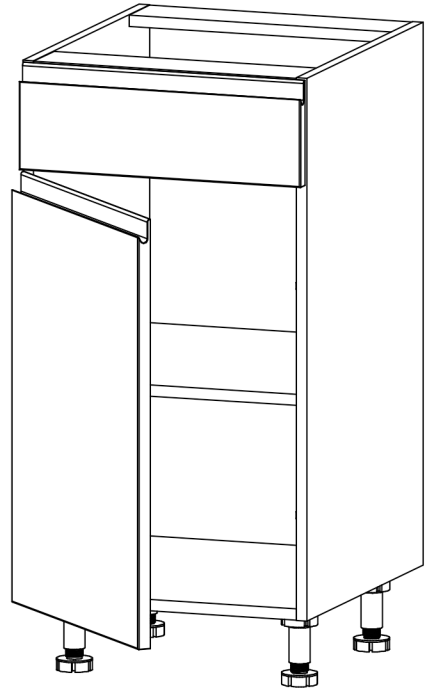
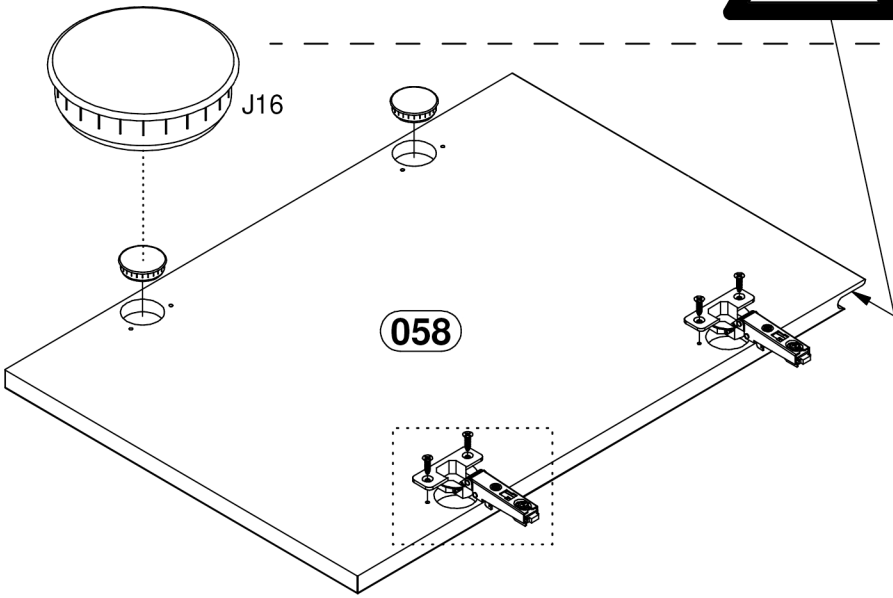
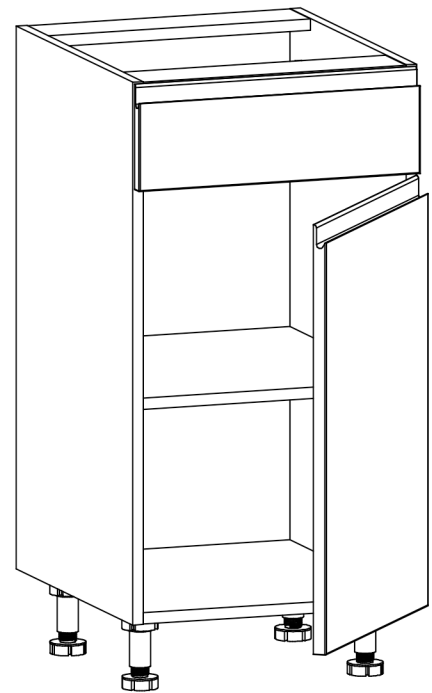
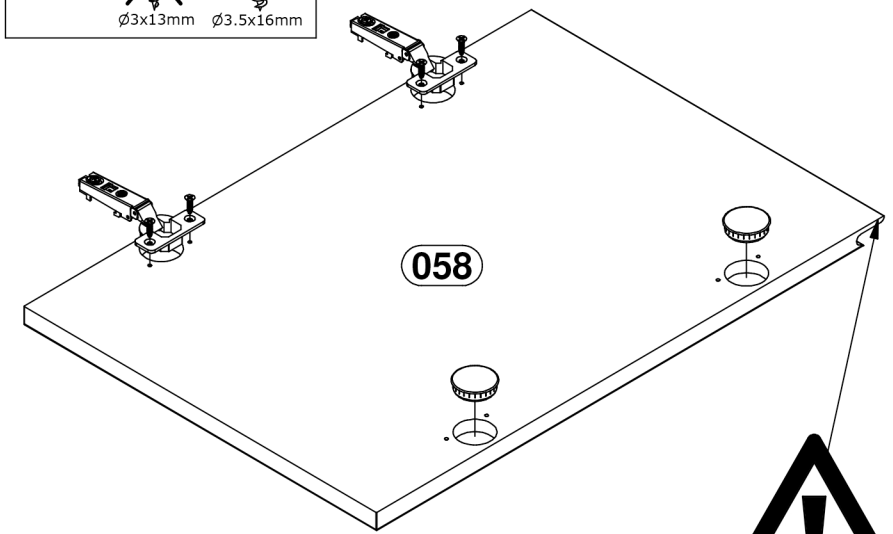
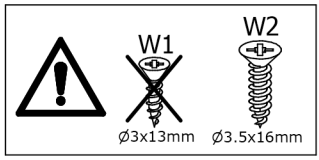
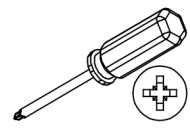
6a



6b

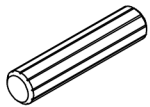


S40/1SZ



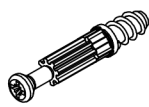
7

A1 x2



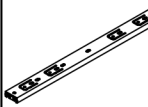
Ø8x35mm

B1 x2



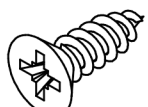
Ø5x38mm

Pc-b x2

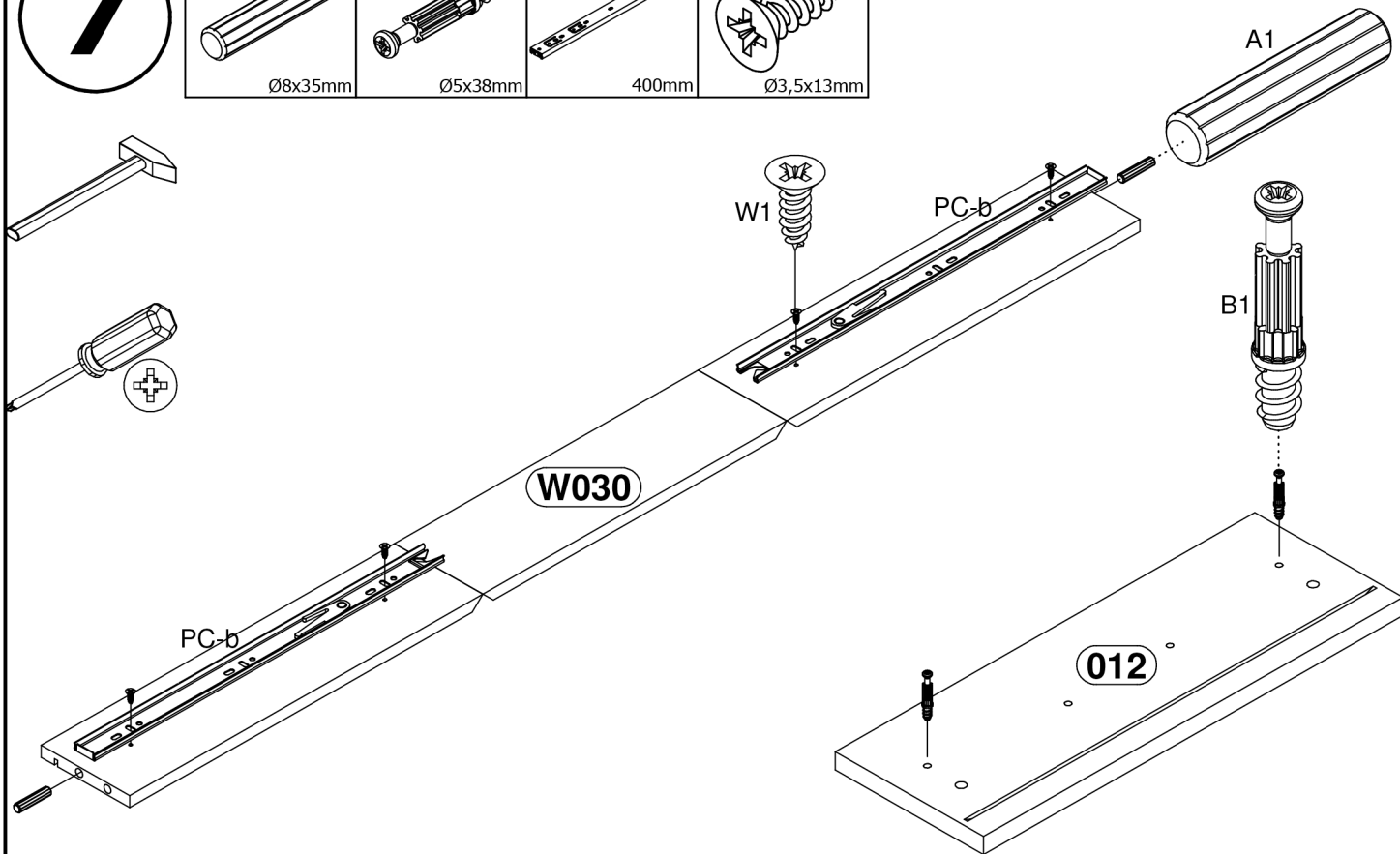
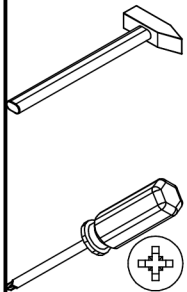


400mm

W1 x4



Ø3,5x13mm

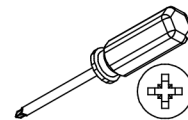
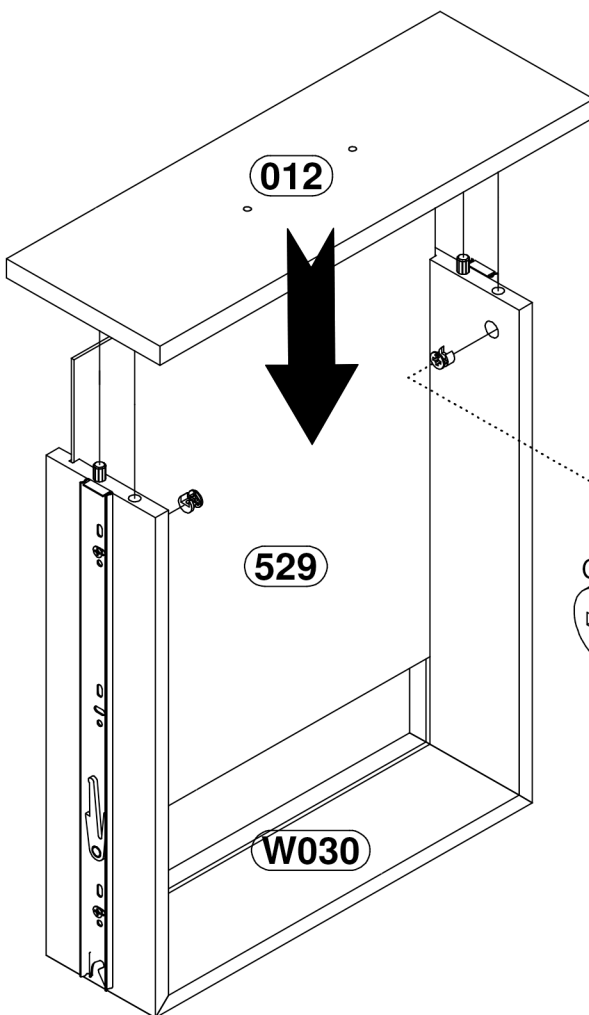
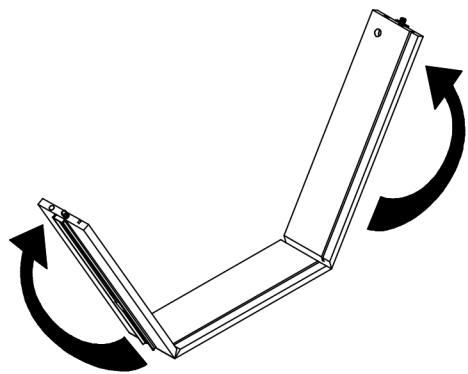


8

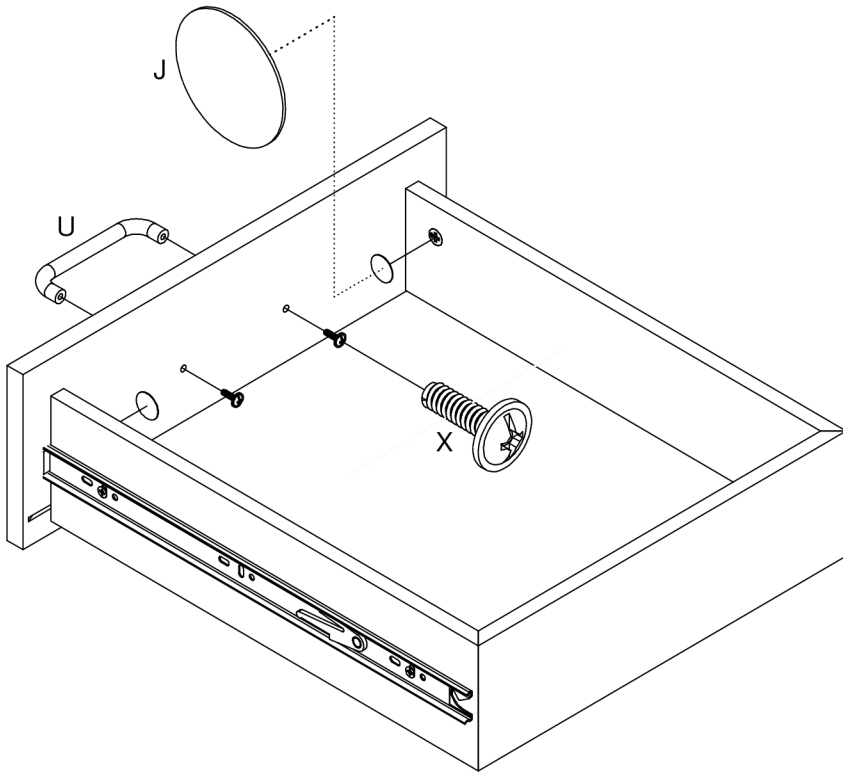
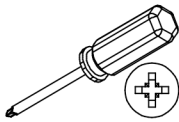
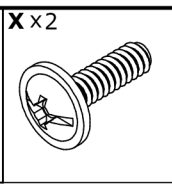
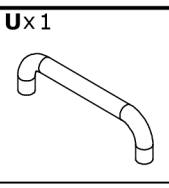
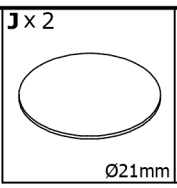
C2 x2



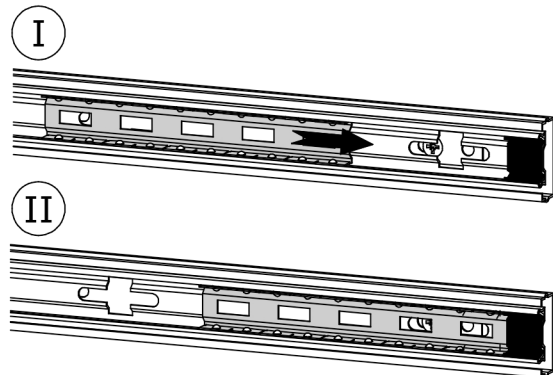
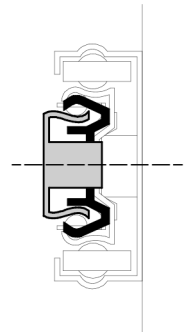
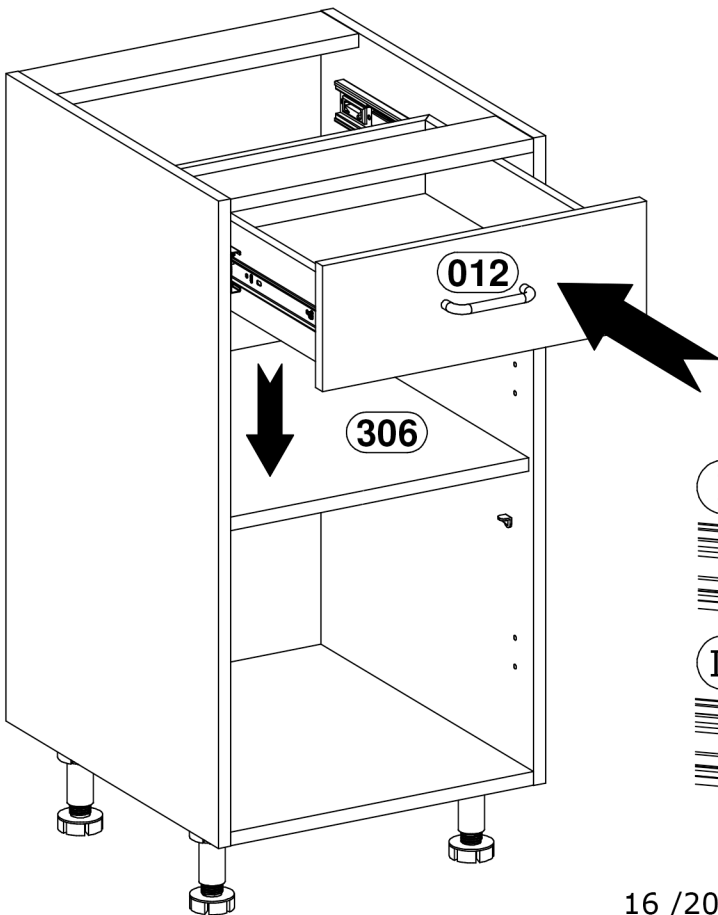
Ø12x10mm



9

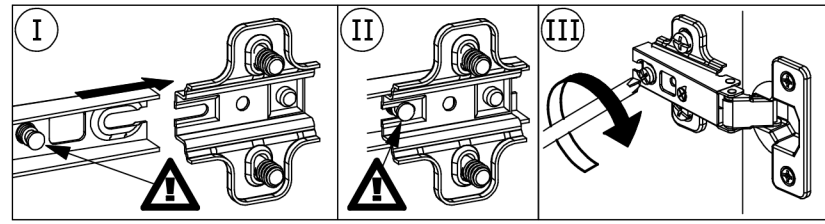
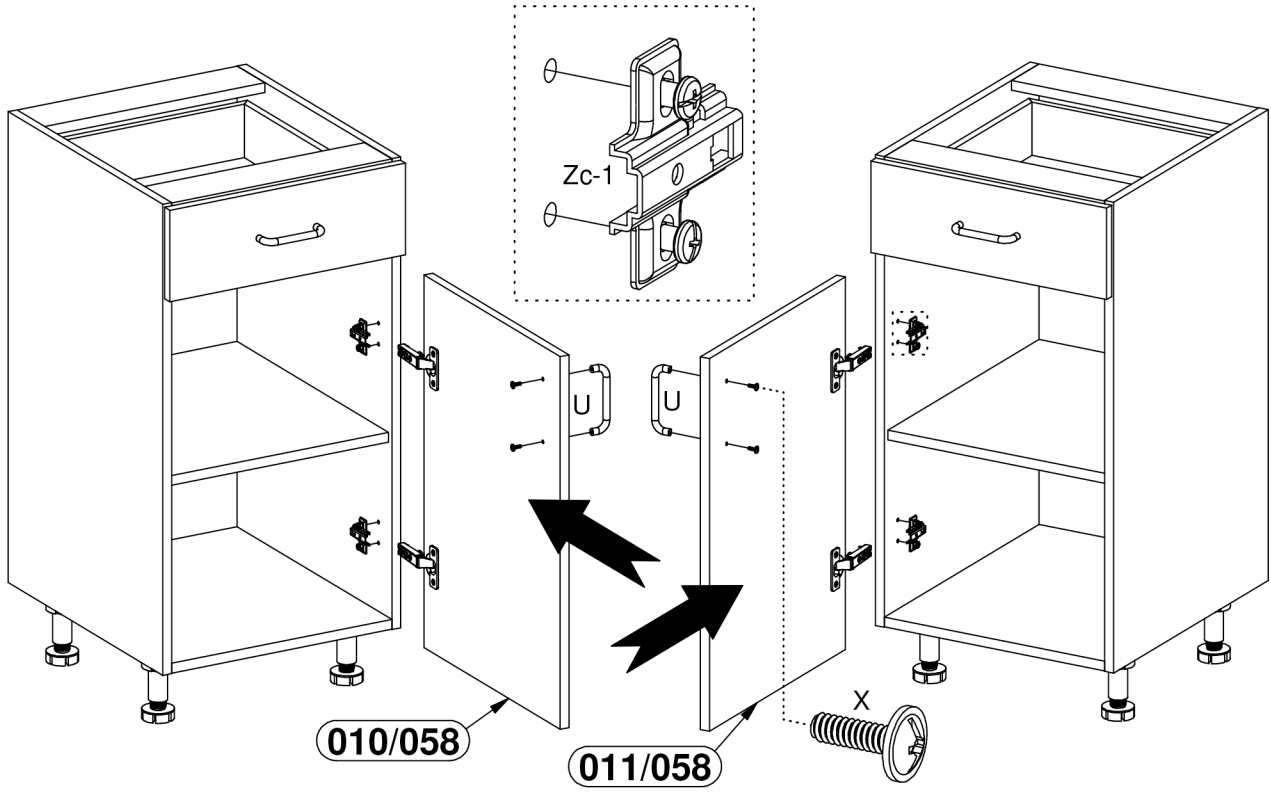
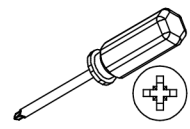


10



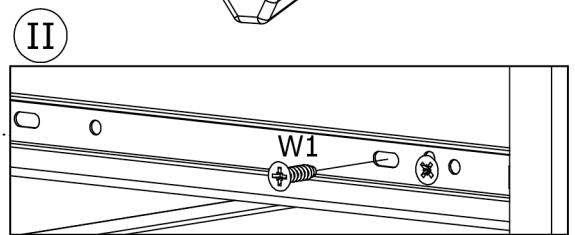
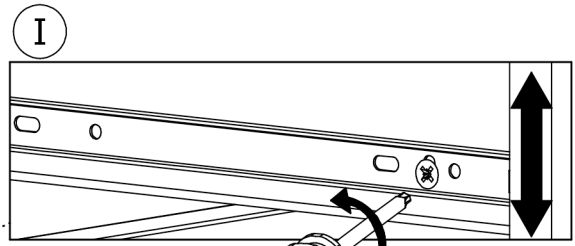
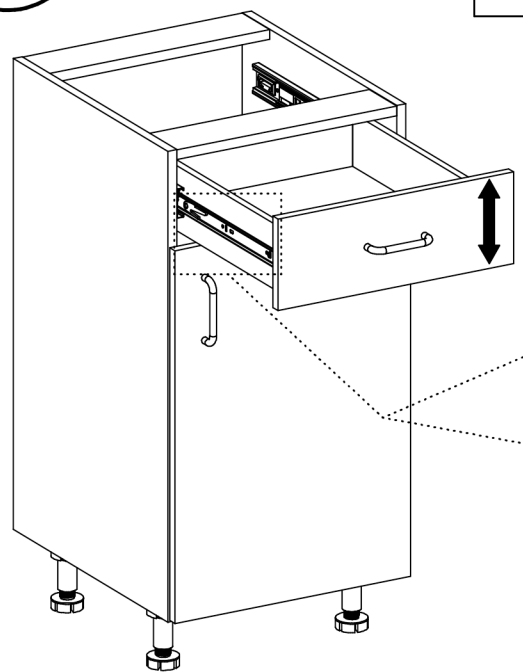
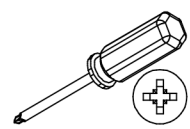
11

- Ux1
- Xx2
- Zc1x2

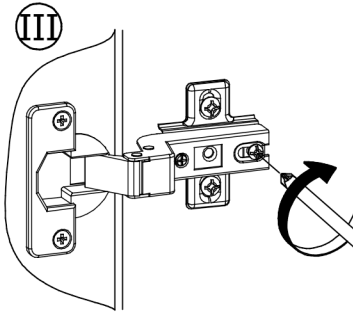
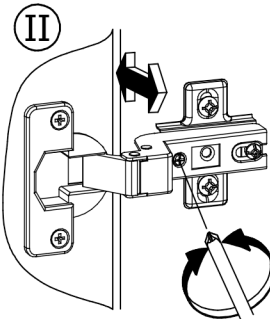
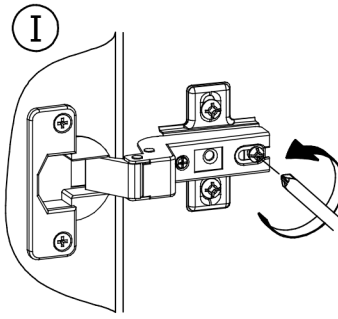
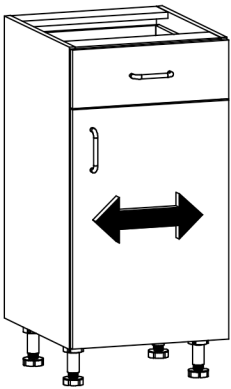
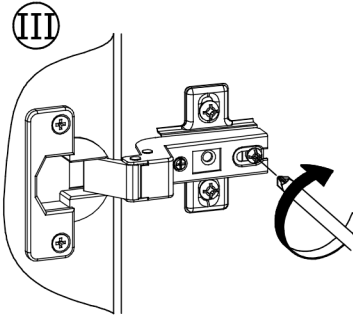
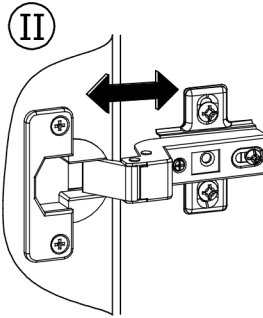
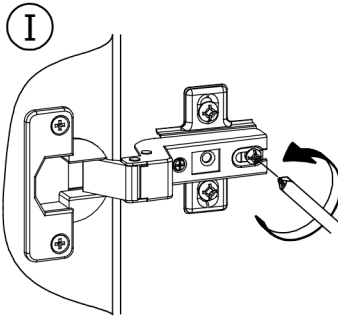
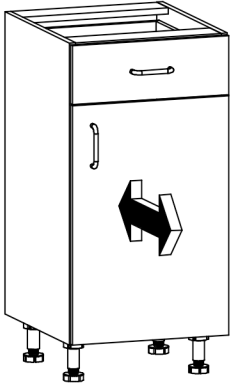
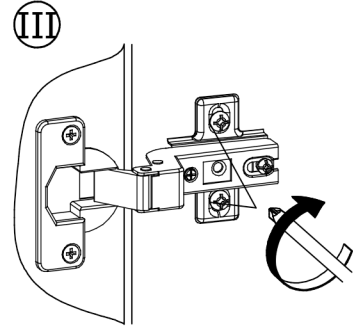
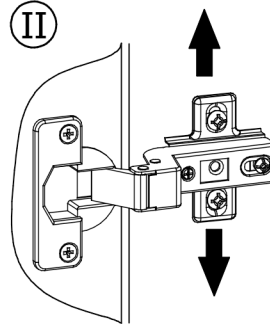
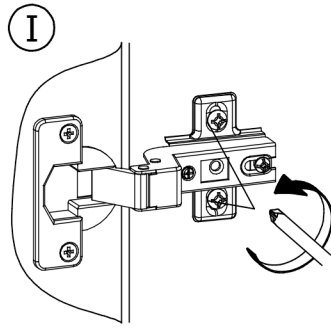
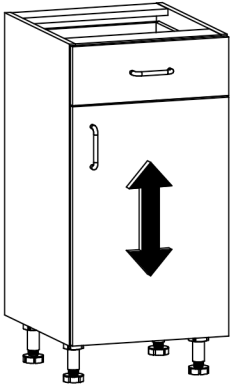
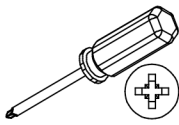


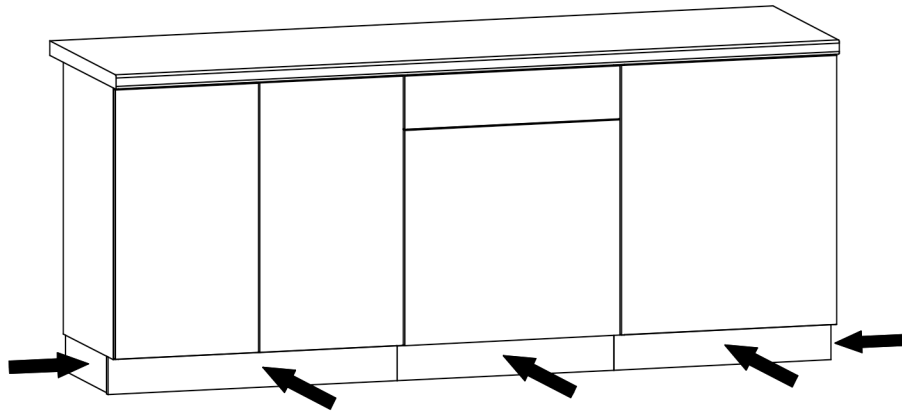
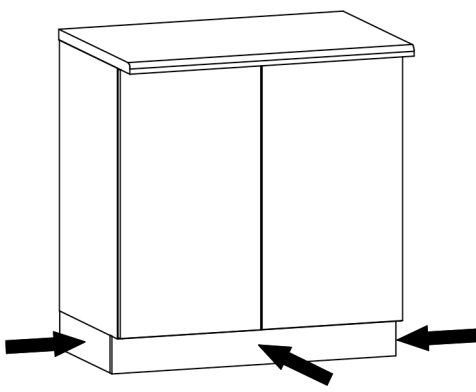
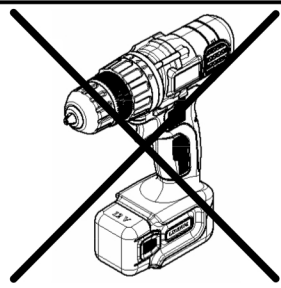
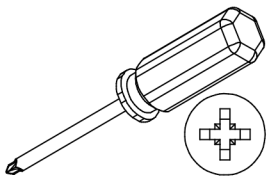
12

- W1x2
- Ø3,5x13mm

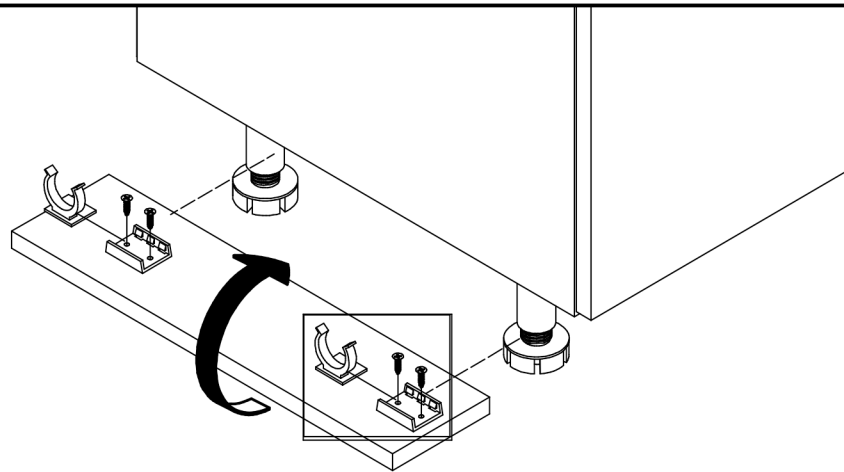
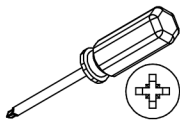


13

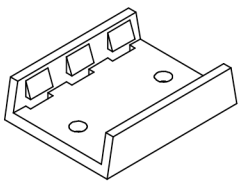




C1

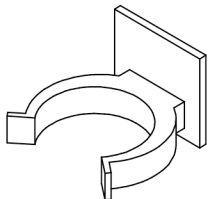


L6-a x4



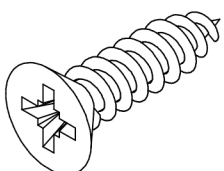
38x30x10mm

L6-b x4

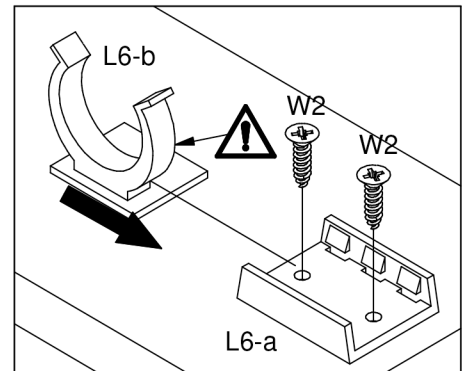


35x32x25mm

W2 x8

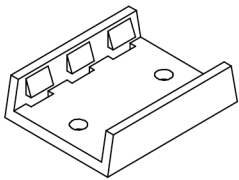


Ø3,5x16mm



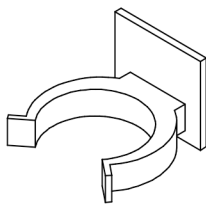
C2

L6-a x 2



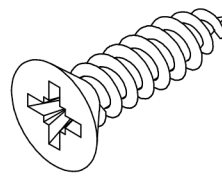
38x30x10mm

L6-b x 2



35x32x25mm

W2 x 4



Ø3,5x16mm

