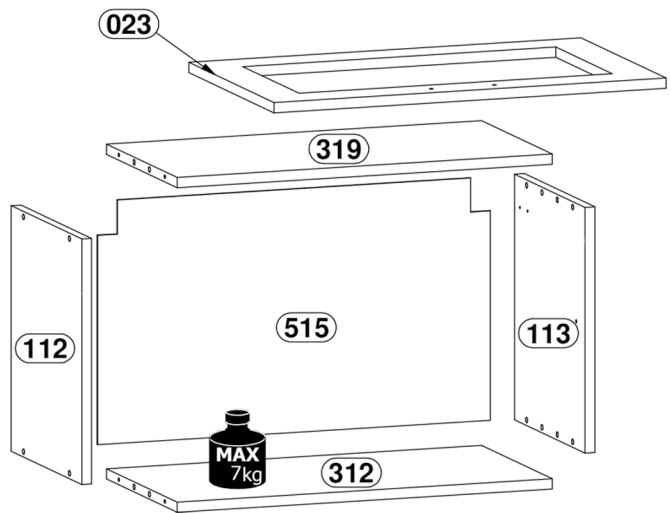
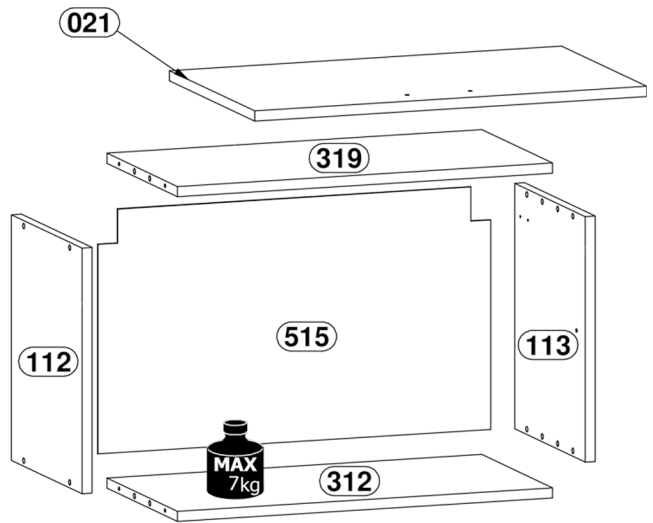
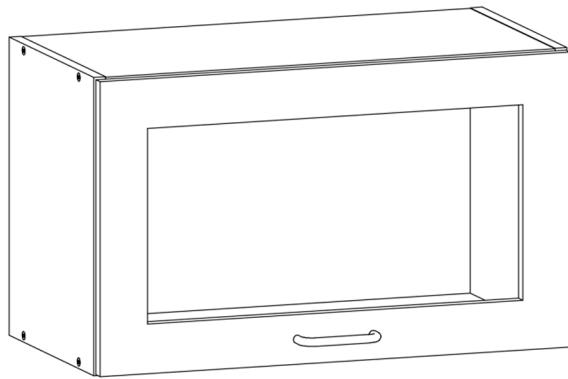
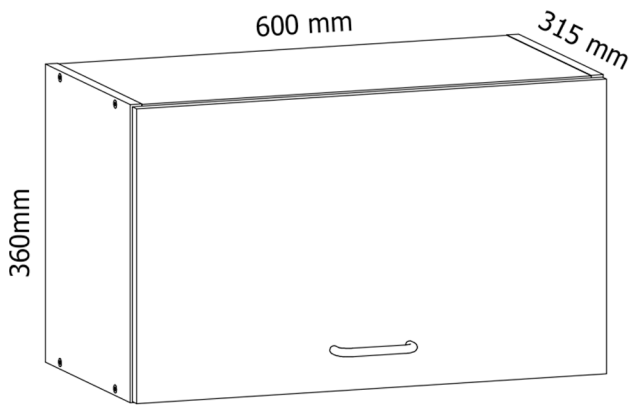

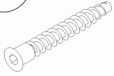




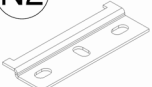
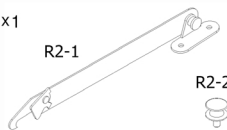






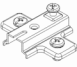



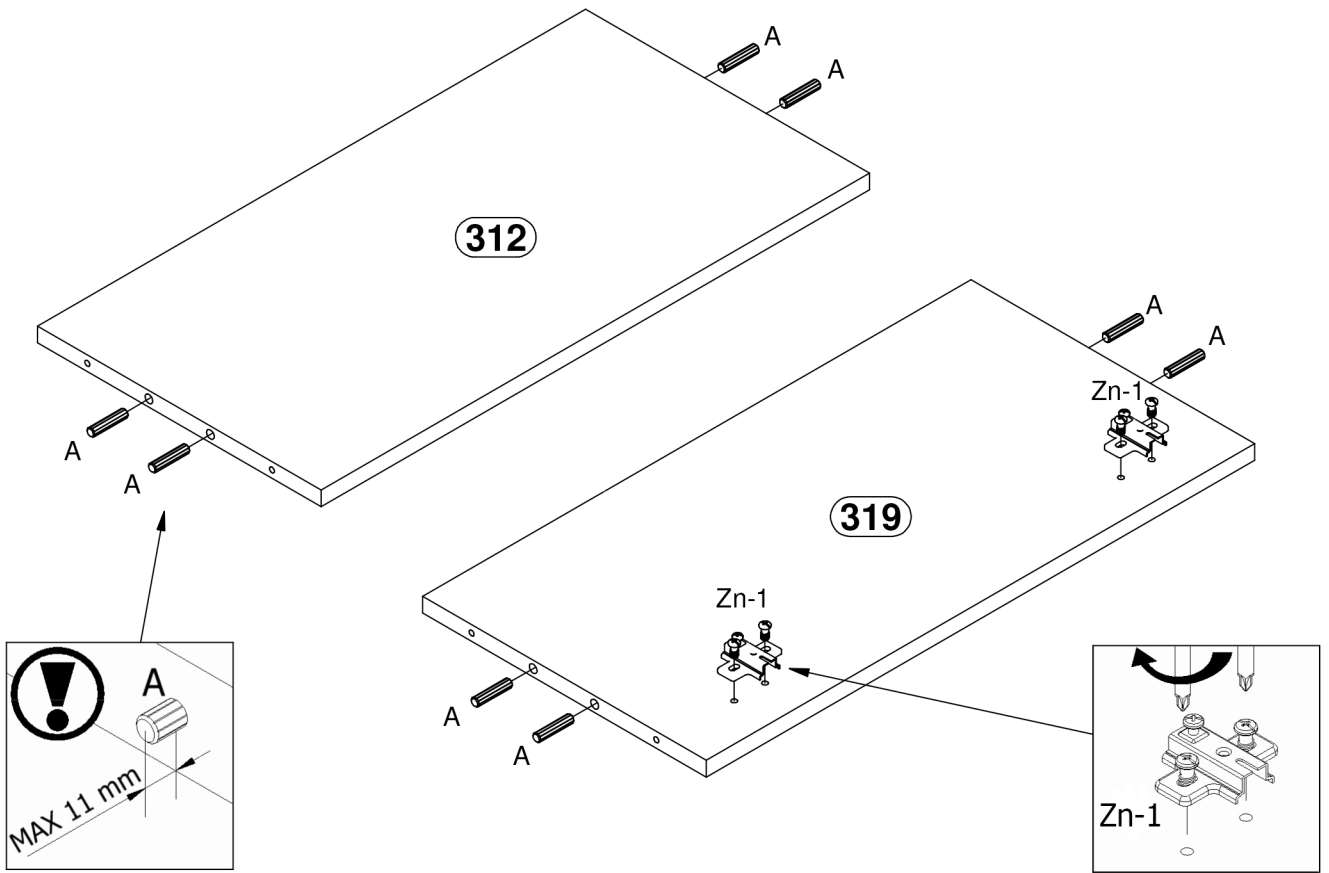
# K02-G60KN/G60KSN

# W60/36 OK

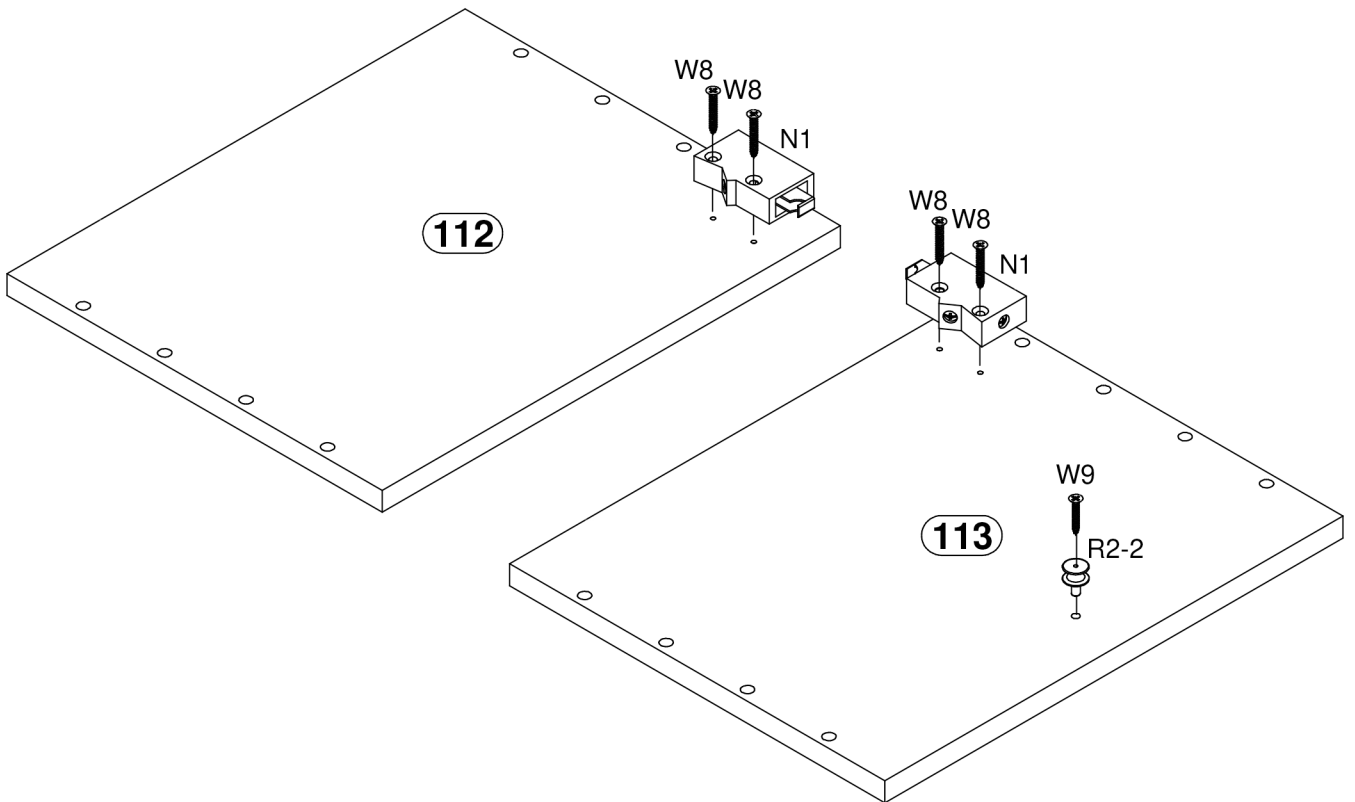


<b>A</b> x8  Ø8x35mm	<b>D</b> x8  Ø6,4x50 mm	<b>G</b> x20 	<b>KL</b> x1 
<b>M</b> x1 	<b>N1</b> x2 	<b>N2</b> x2 	
<b>R2</b> x1  R2-1  R2-2	<b>W2</b> x6  Ø3,5x16mm	<b>W8</b> x4  Ø4x30mm	
<b>W9</b> x1  Ø3x25mm	<b>Y2</b> x8 	<b>X8</b> x2 	
<b>Zn</b> x2  Zn-1  Zn-2			

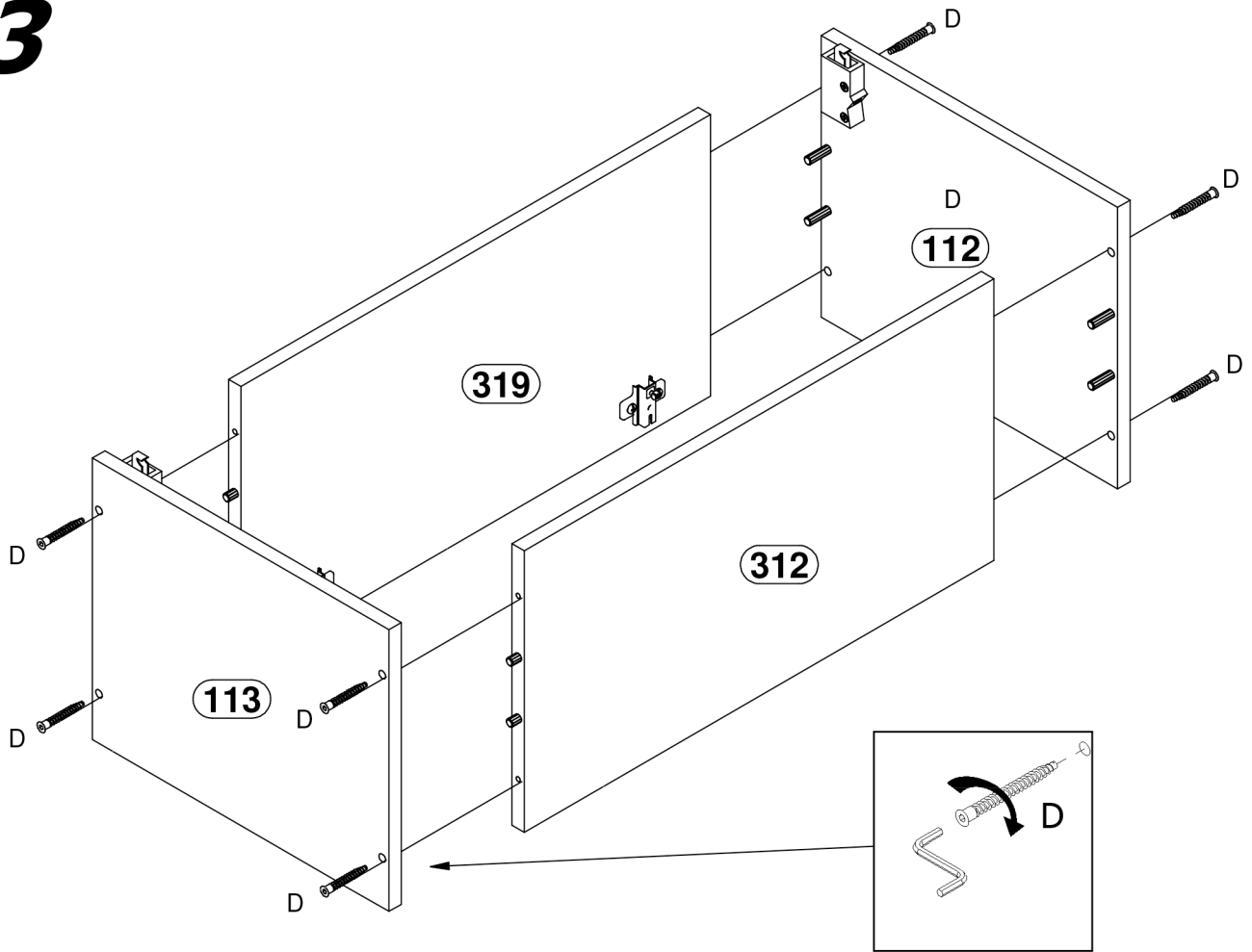
# 1



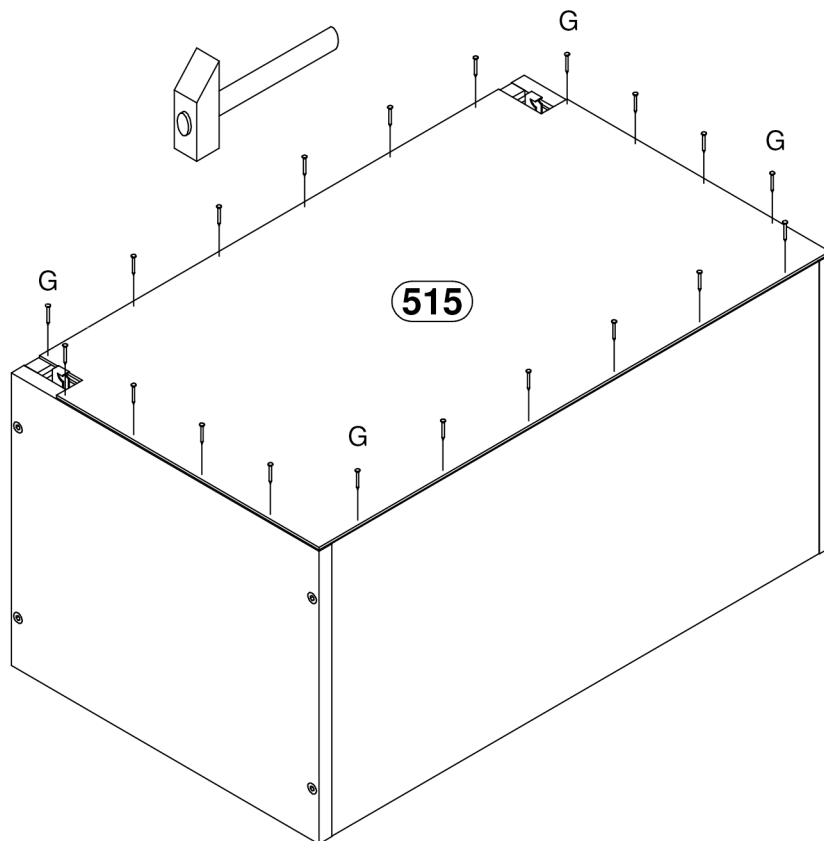
# 2



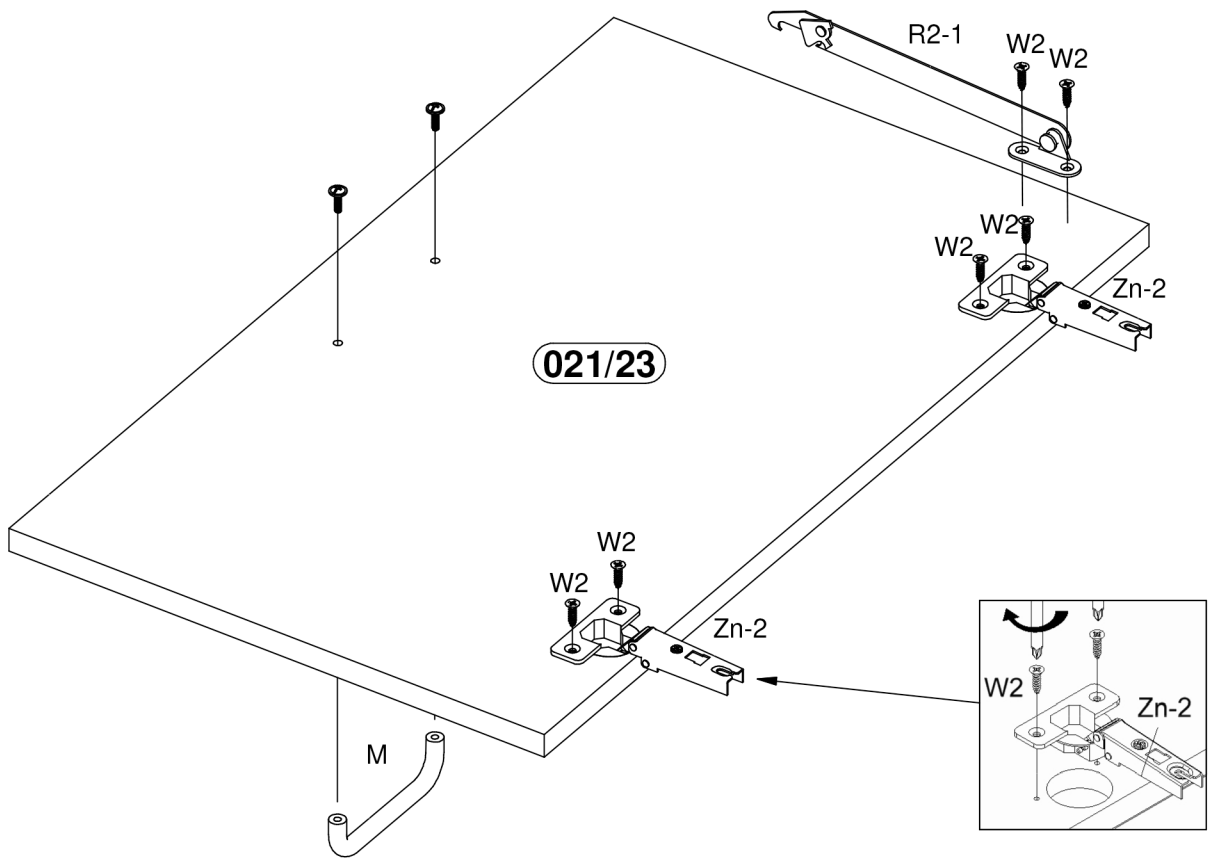
# 3



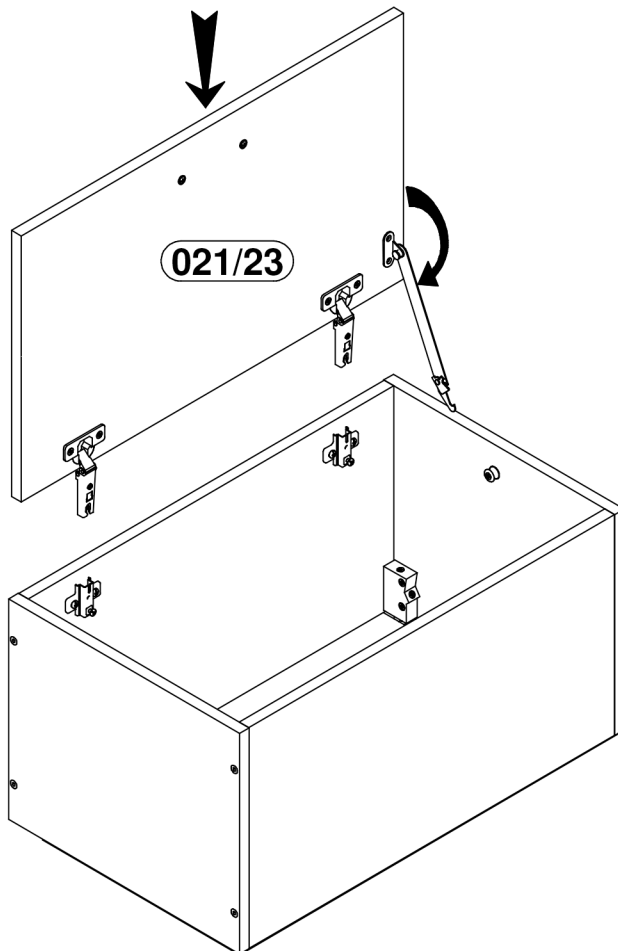
# 4



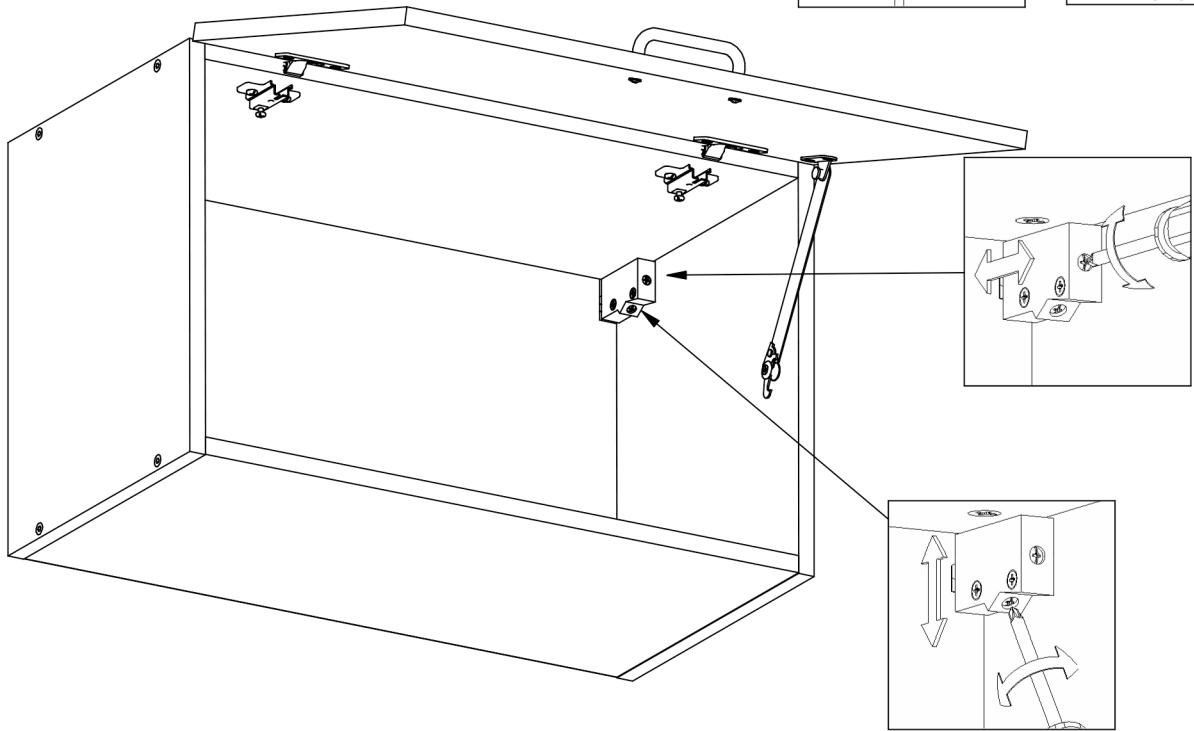
# 5



# 6



# 7



# 8

