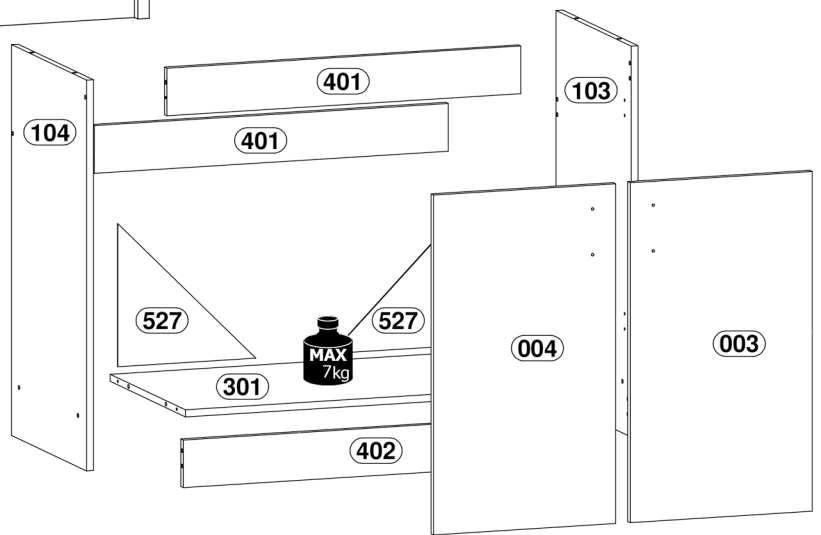
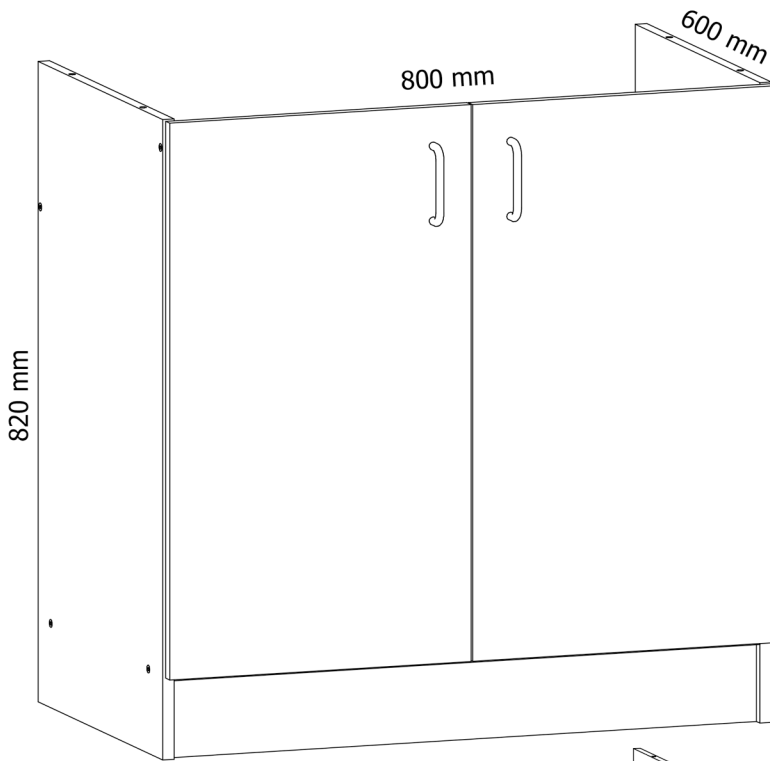
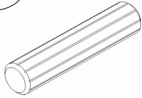
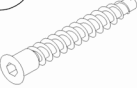






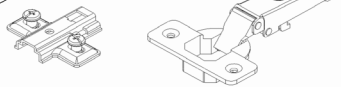
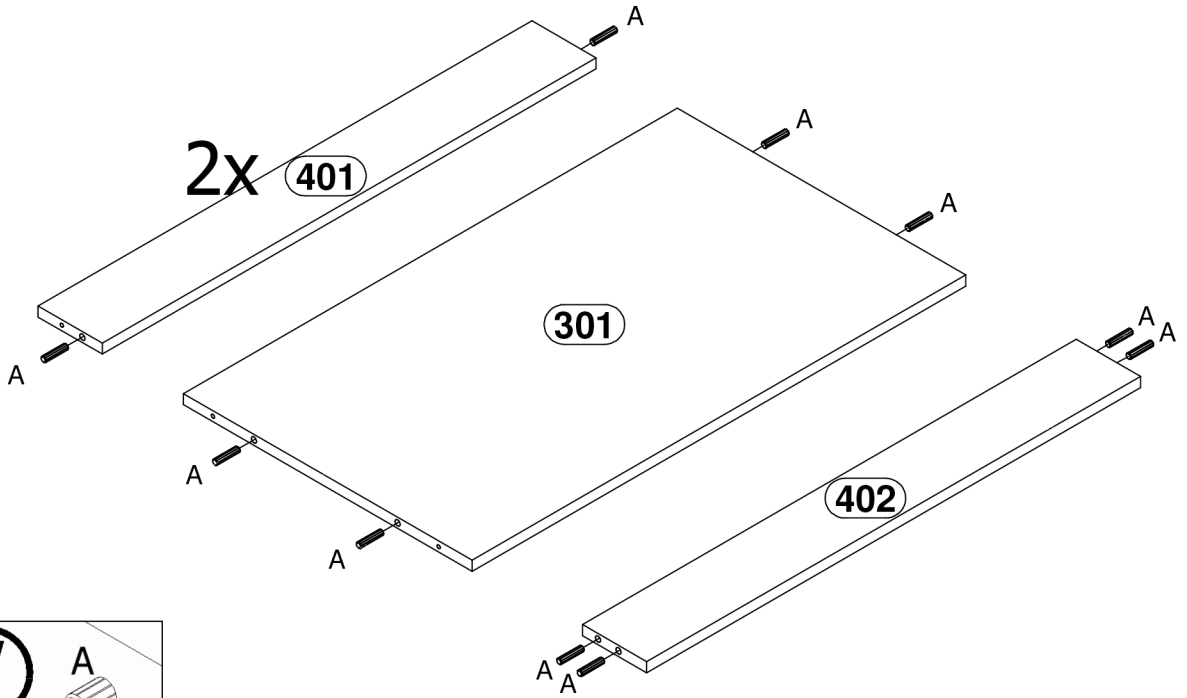


# K02-D80Z

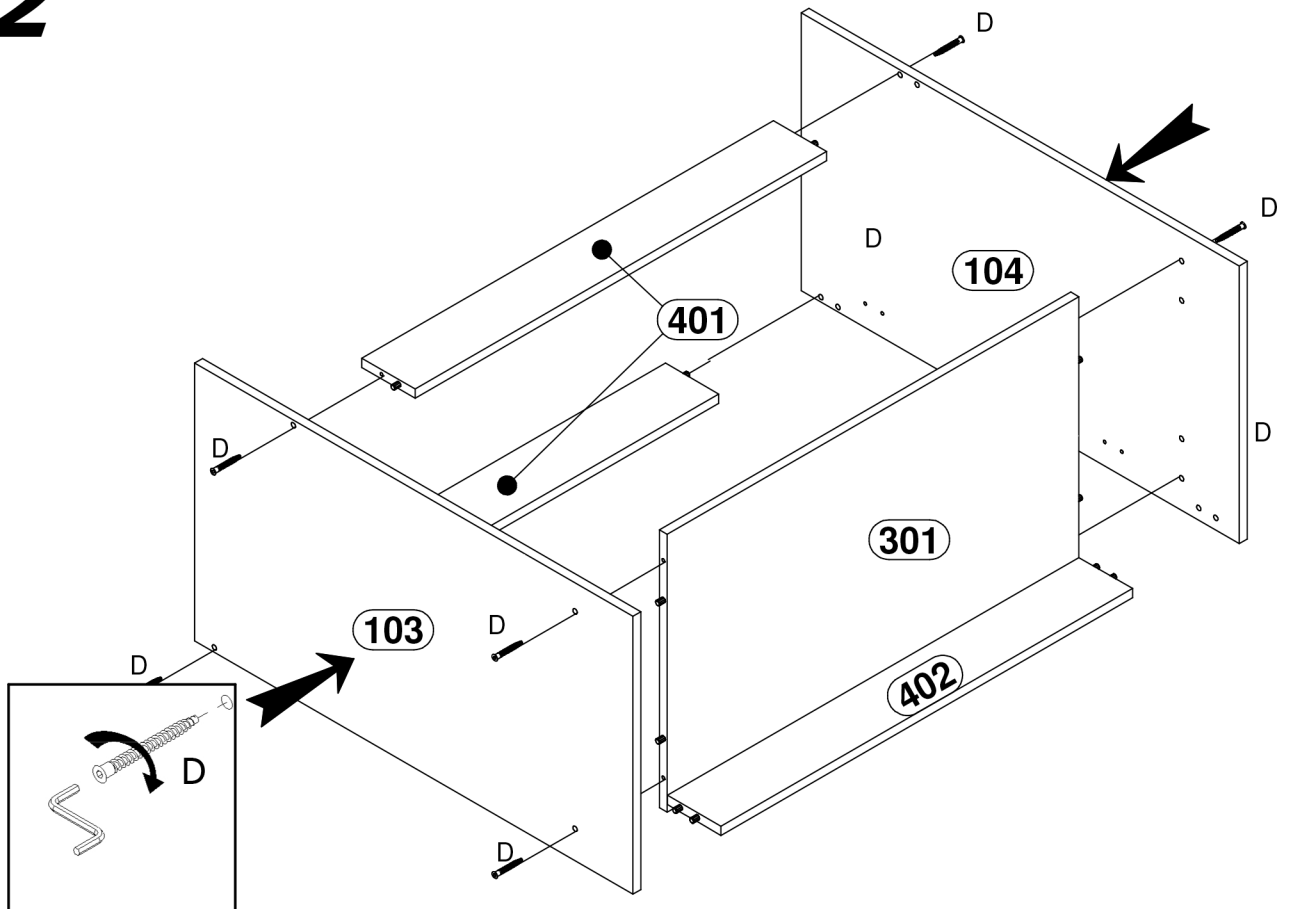


<b>A</b> x12  Ø8x35mm	<b>D</b> x8  Ø6,4x50 mm	<b>G</b> x15 	<b>GL</b> x1 
<b>KL</b> x1 	<b>M</b> x2 	<b>W2</b> x8  Ø3,5x16mm	<b>Y2</b> x8 
<b>Zc</b> x4  Zc-1      Zc-2			

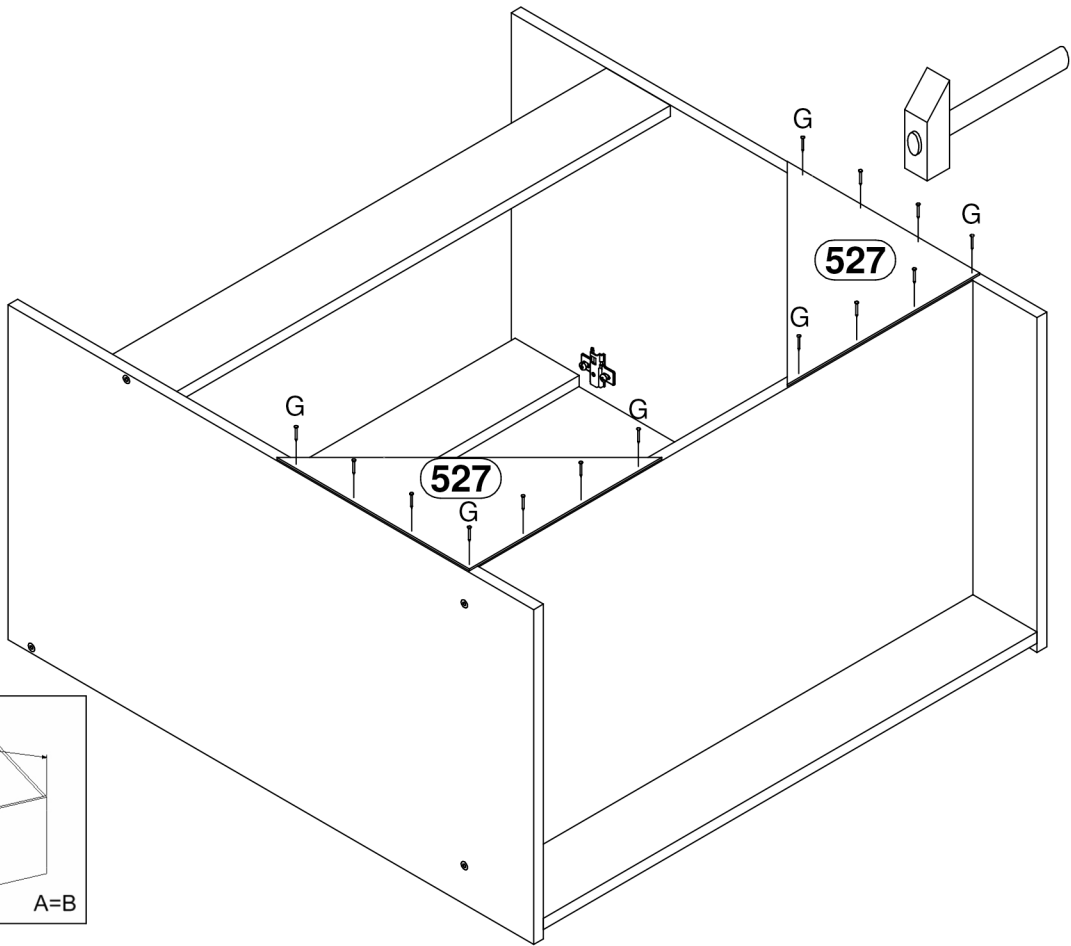
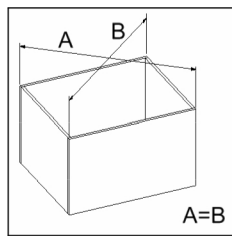
# 1



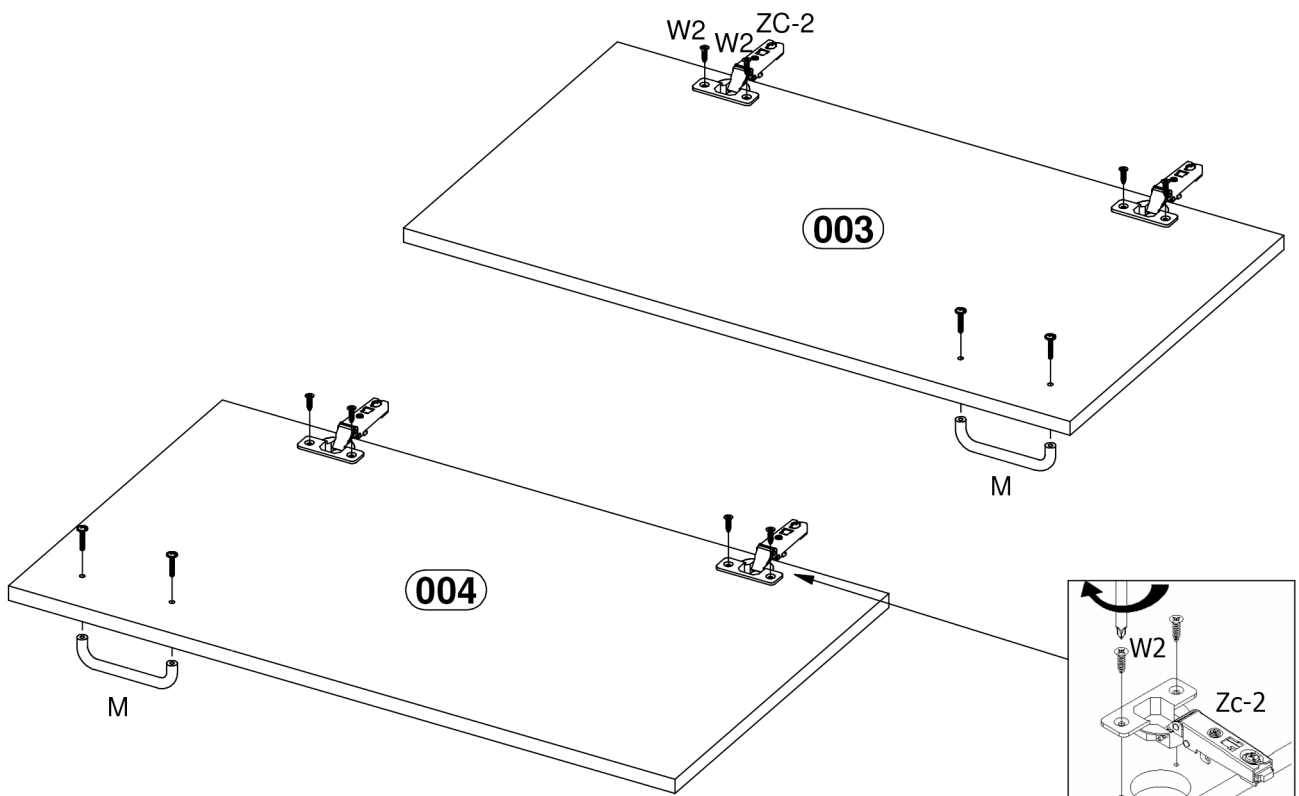
# 2



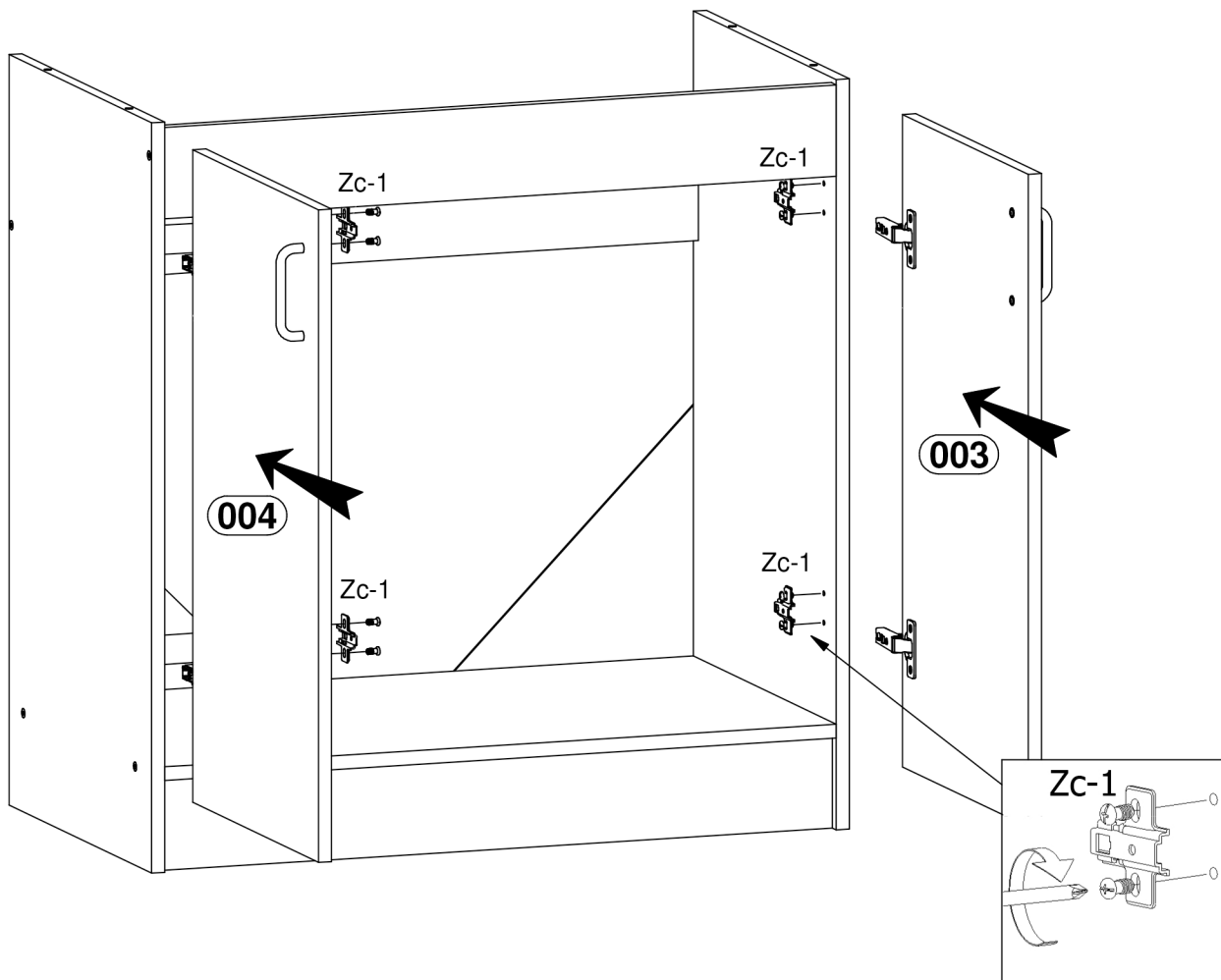
# 3



# 4



# 5



# 6

