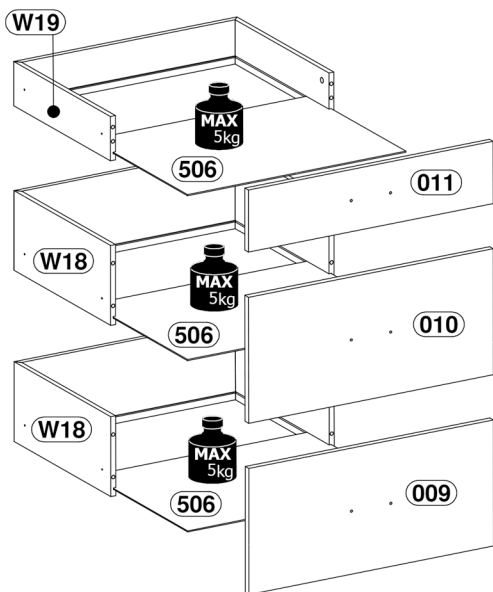
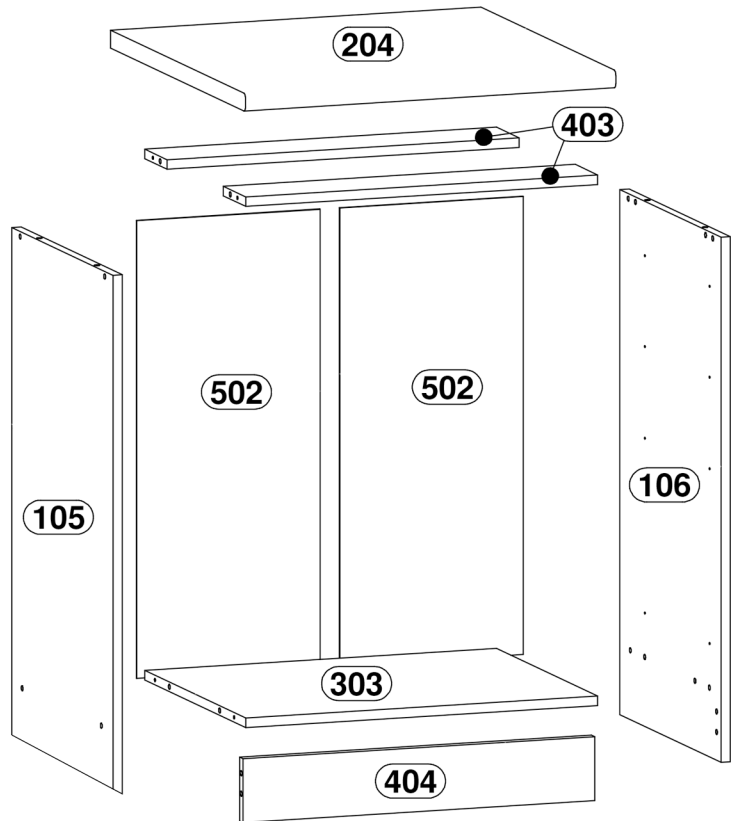
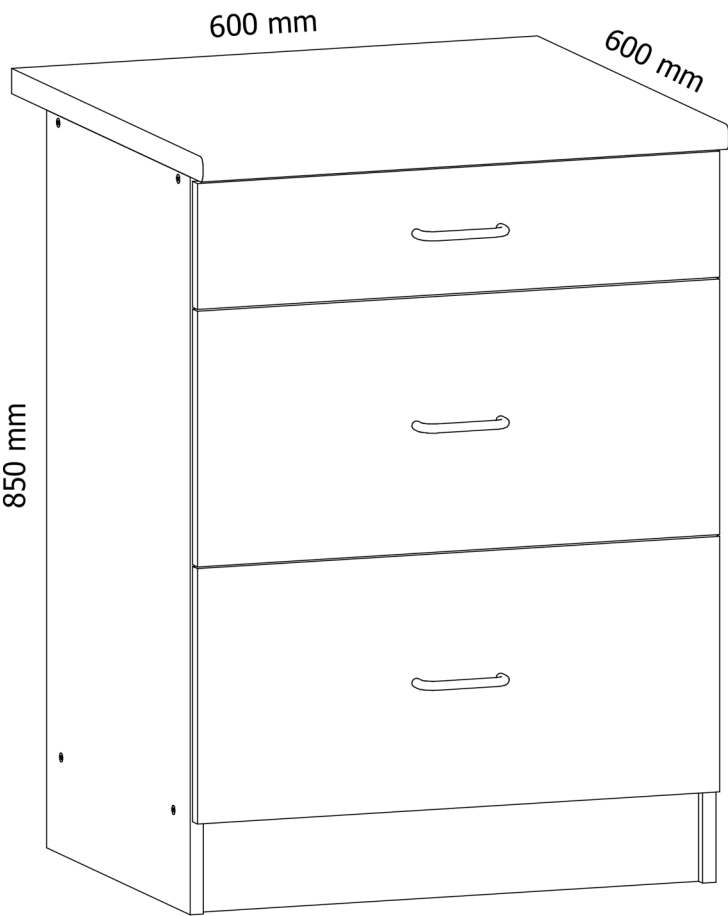
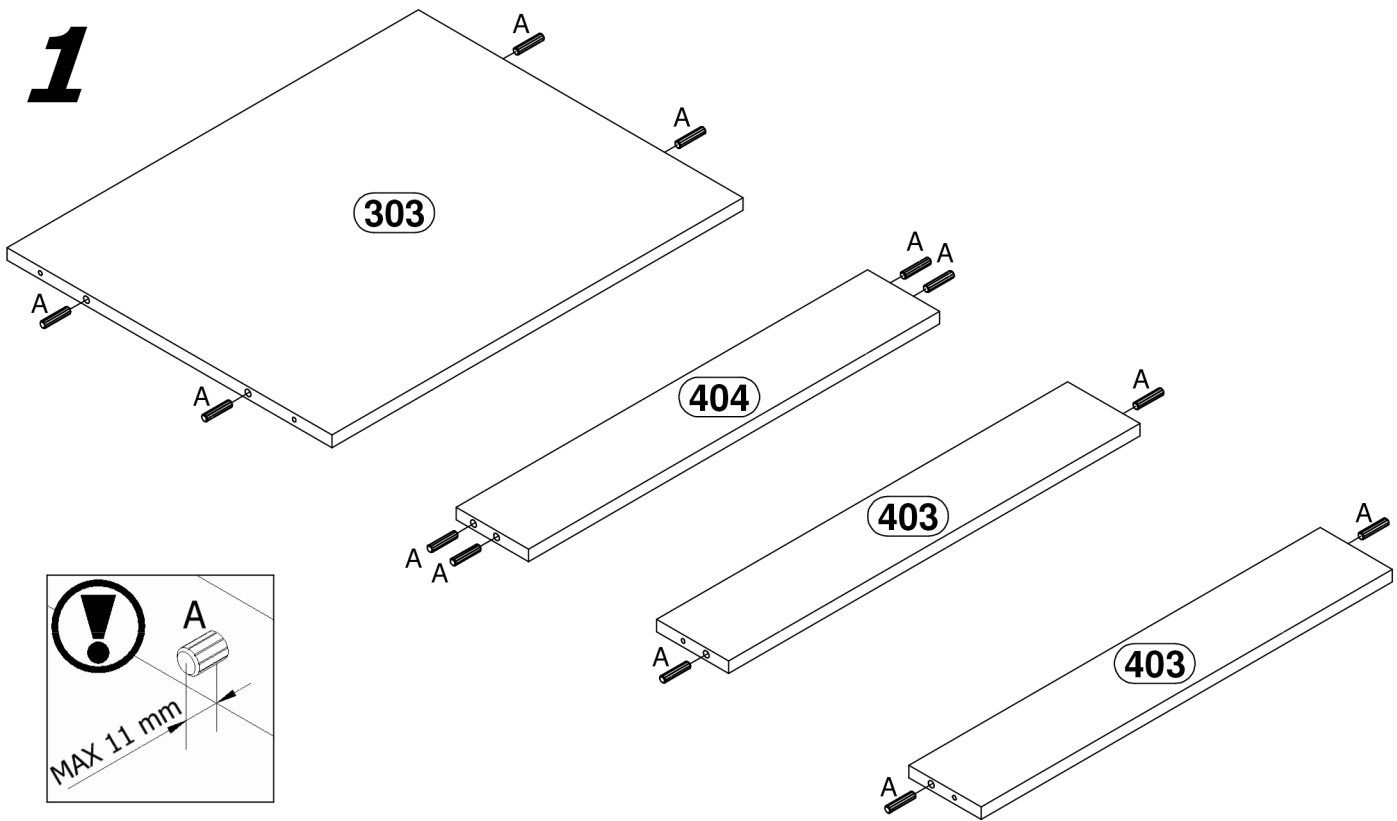


# K02-D60S3

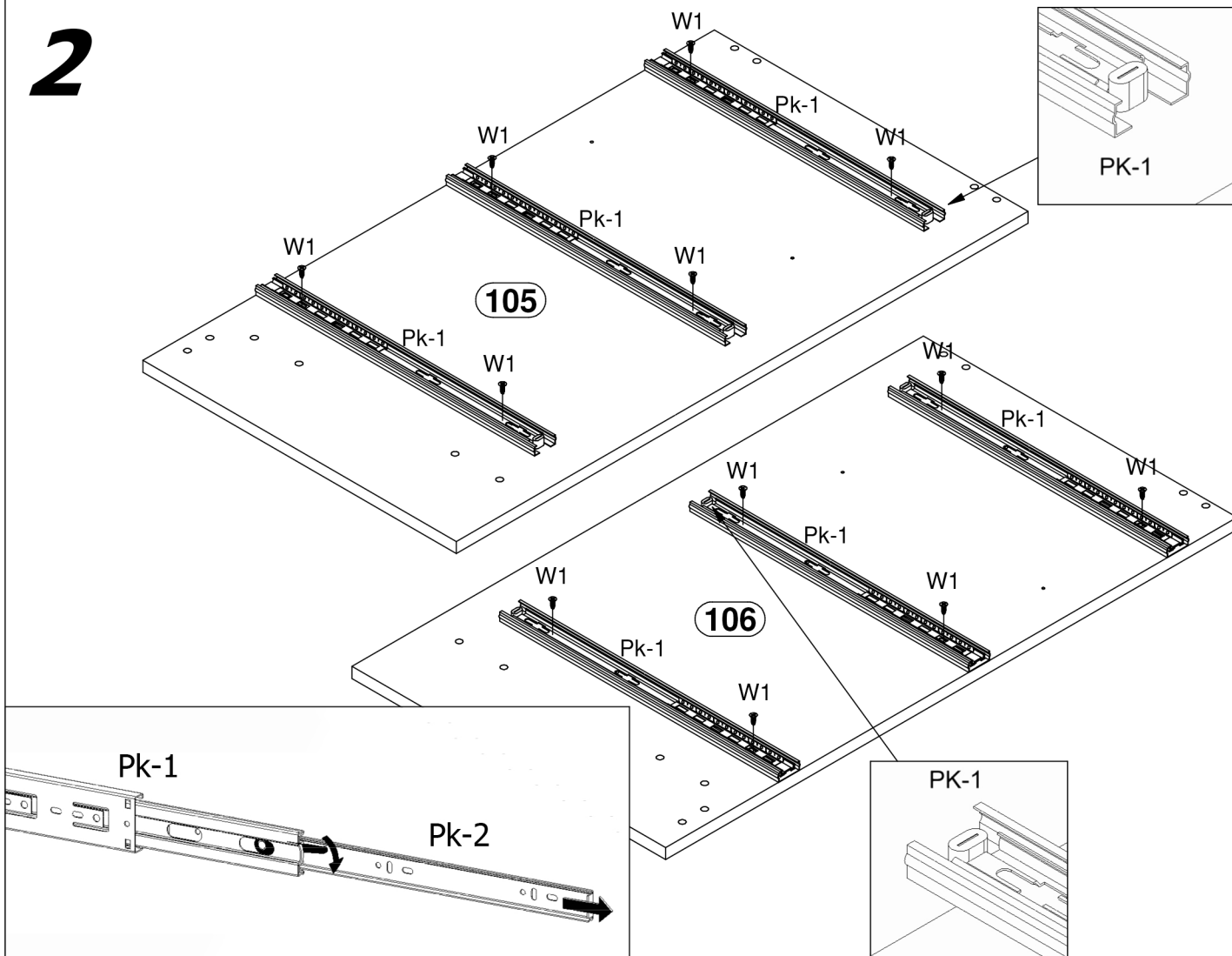


<b>A</b> x22  Ø8x35mm	<b>B</b> x6 	<b>C1</b> x6  Ø12x10mm	<b>D</b> x8  Ø6,4x50 mm
<b>G</b> x27 	<b>GL</b> x1 	<b>H</b> x1  715 mm	<b>KL</b> x1 
<b>Kw</b> x3  400 mm	<b>M</b> x3 	<b>PK</b> x6  PK-1 PK-1 PK-2 PK-2 400 mm	
<b>W1</b> x30  Ø3,5x13mm	<b>Y</b> x8  Ø18 mm	<b>Y2</b> x6 	

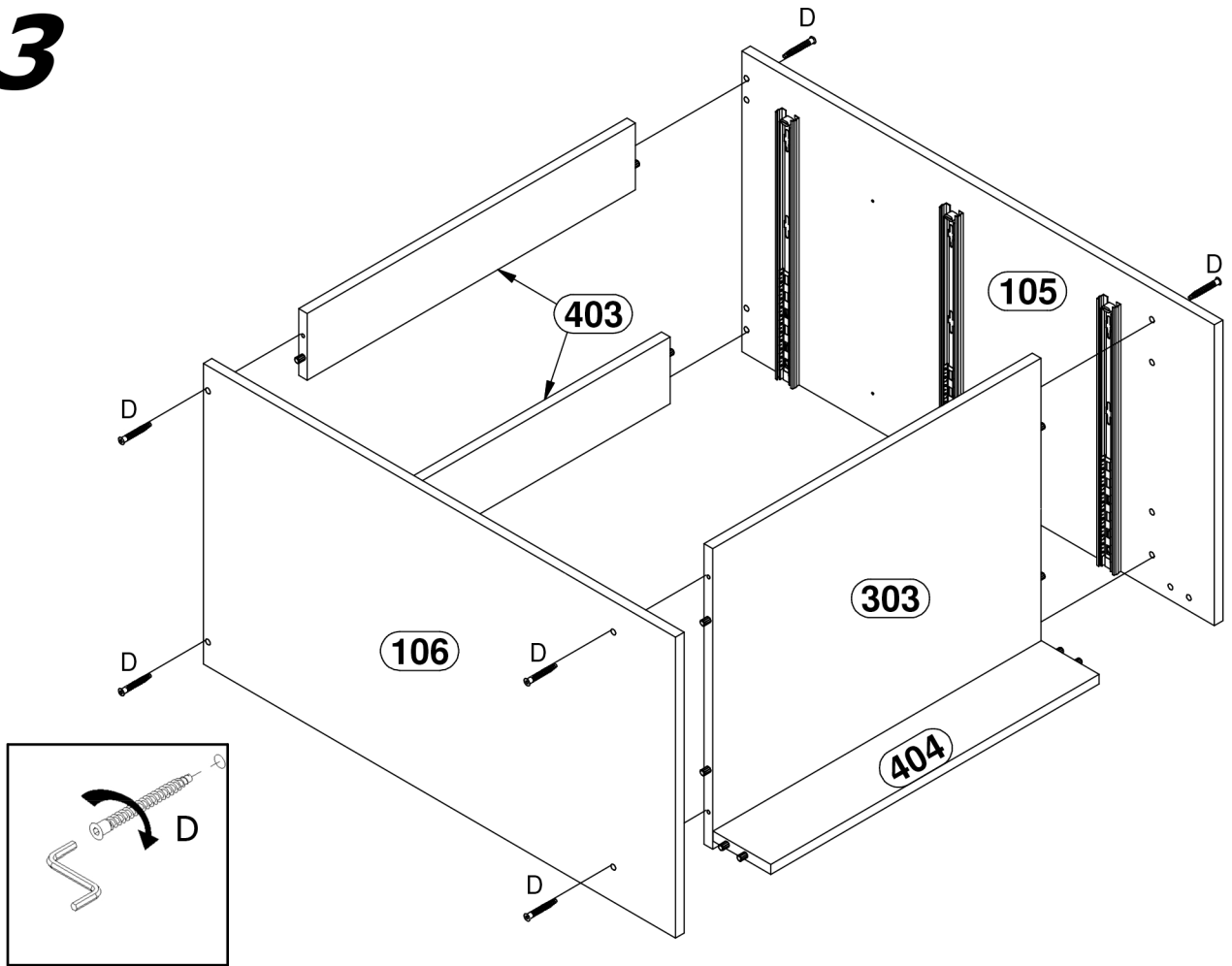
# 1



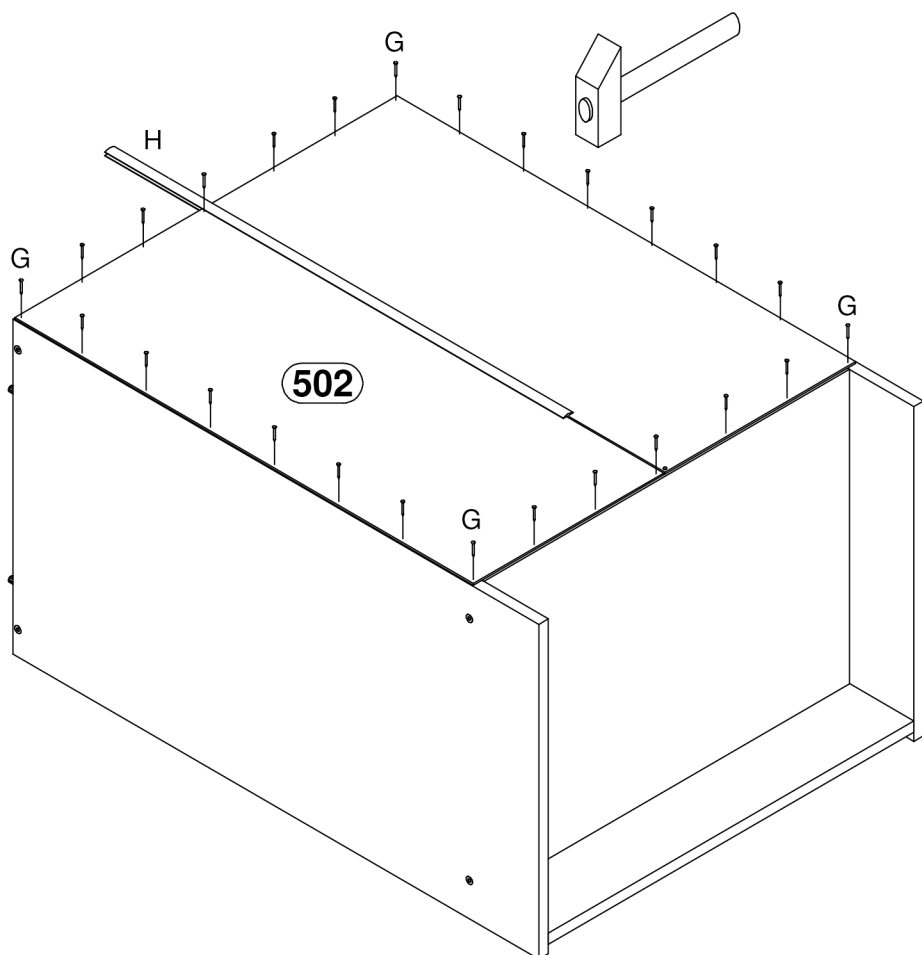
# 2



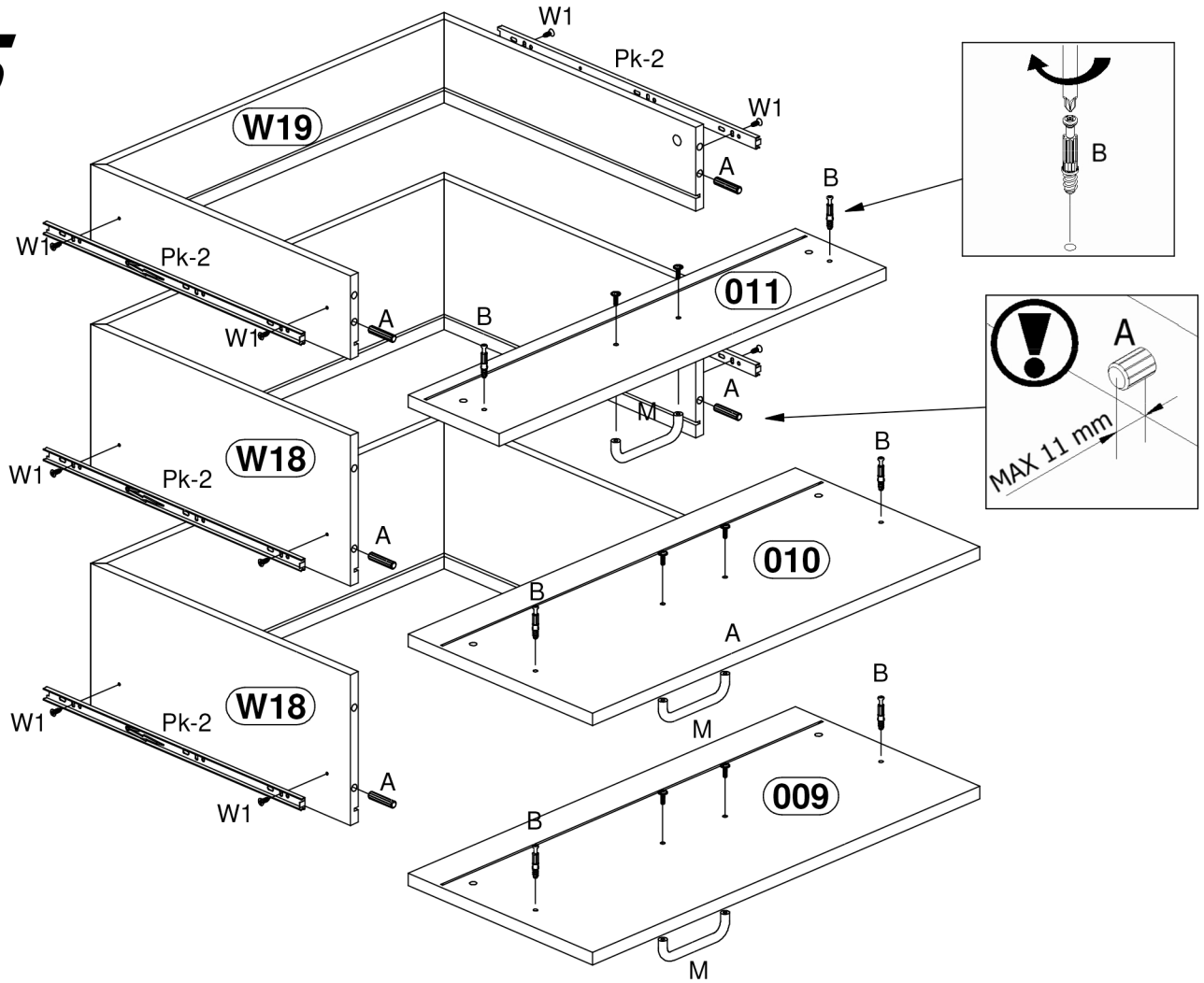
# 3



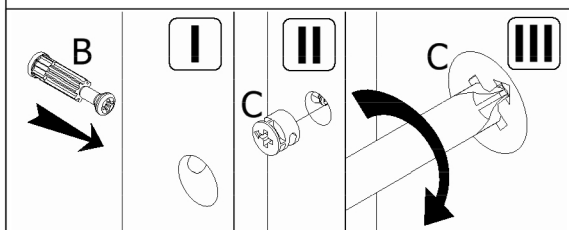
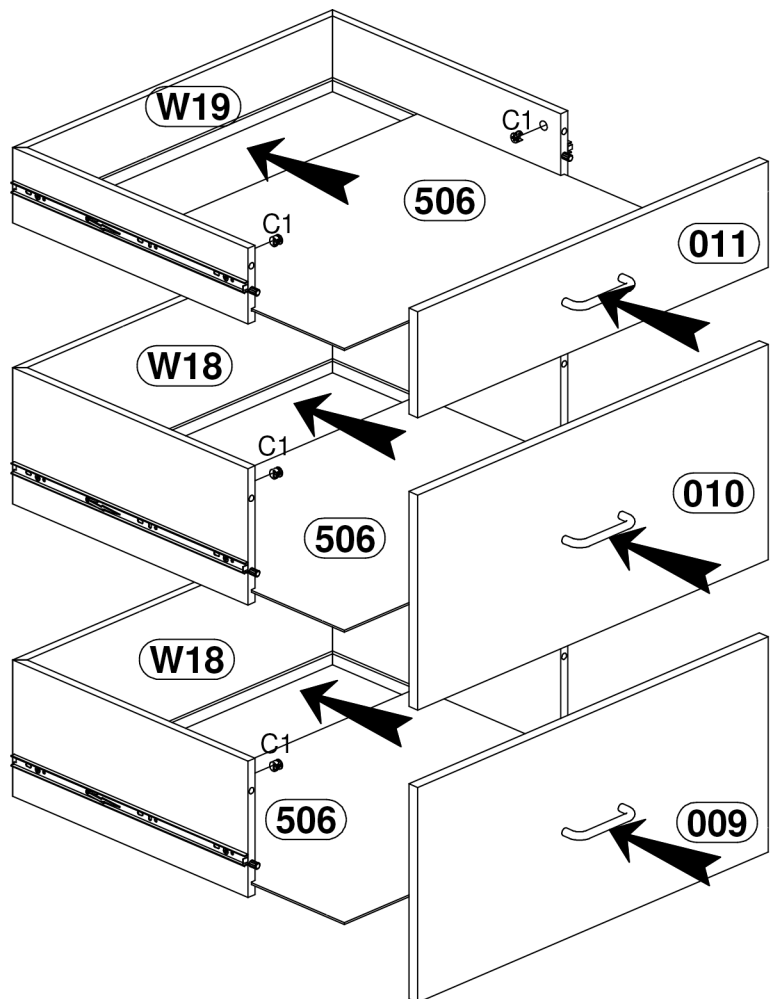
# 4



# 5



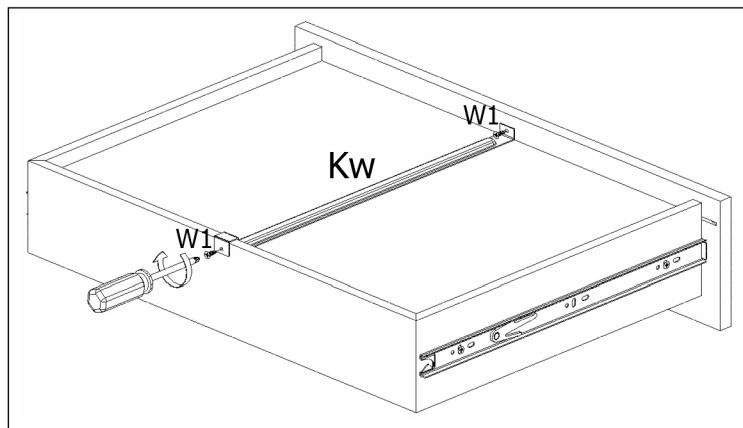
# 6





# 7

3x



# 8

