
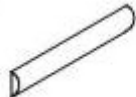
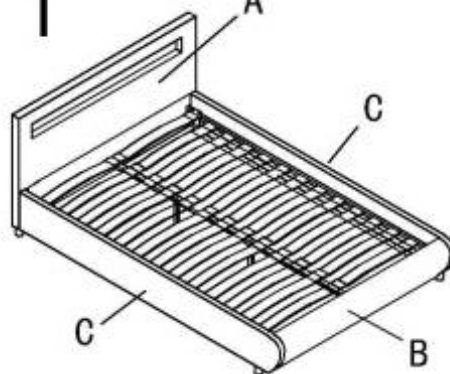
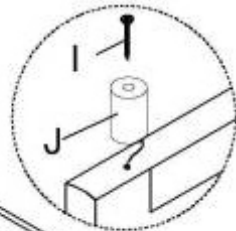




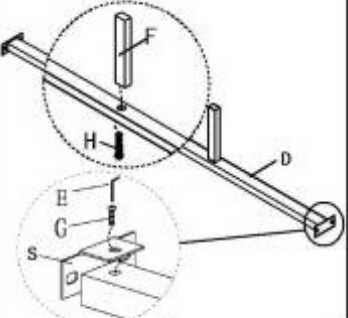
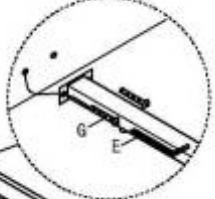


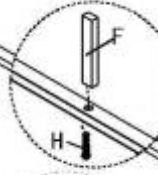
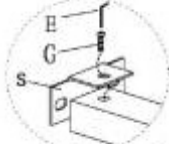
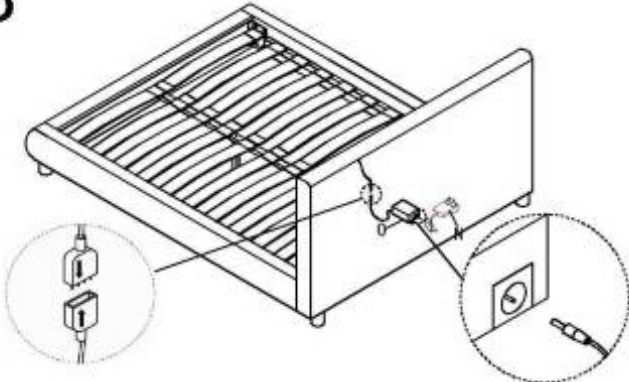






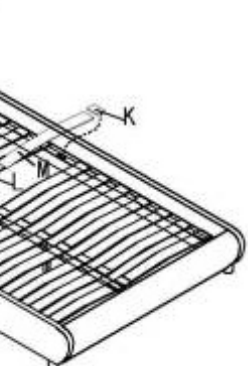
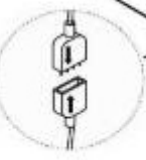
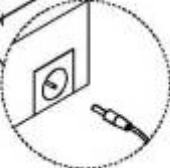




# DULCEA 1125-1

Ax1 	Bx1 	<b>1</b> 	<b>2</b> 	<b>3</b> 			
Gx2 	Dx1 				<b>4</b> 	<b>5</b> 	<b>6</b> 
Ex1 	Fx2 						
Gx22 (8*20) 	H x10 (8*50) 	<b>8</b> 					
I x4 	Jx4 						
Kx12 	Lx24 						
Mx24 	Nx1 	<b>8</b> 					
Ox1 	Px1 						
Qx4 	Rx2 						
Sx2 