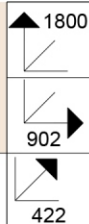




BETTY 04
BE04-003-00

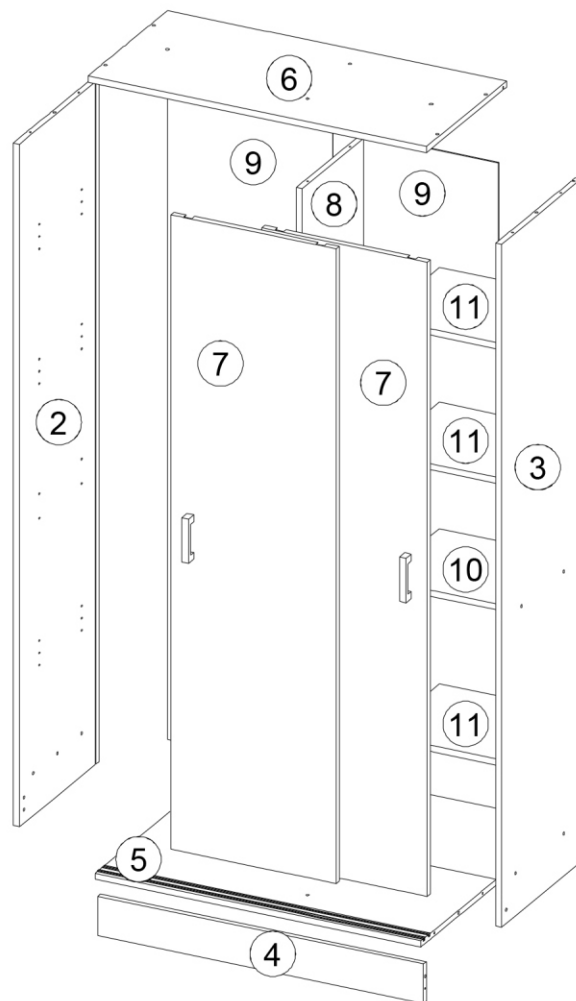
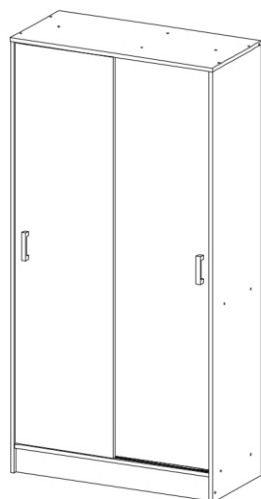


A 18x	B 10x	C 6x	D 1x	E 4x	F 30x	G 5x	H 12x	J 2x	K 4x

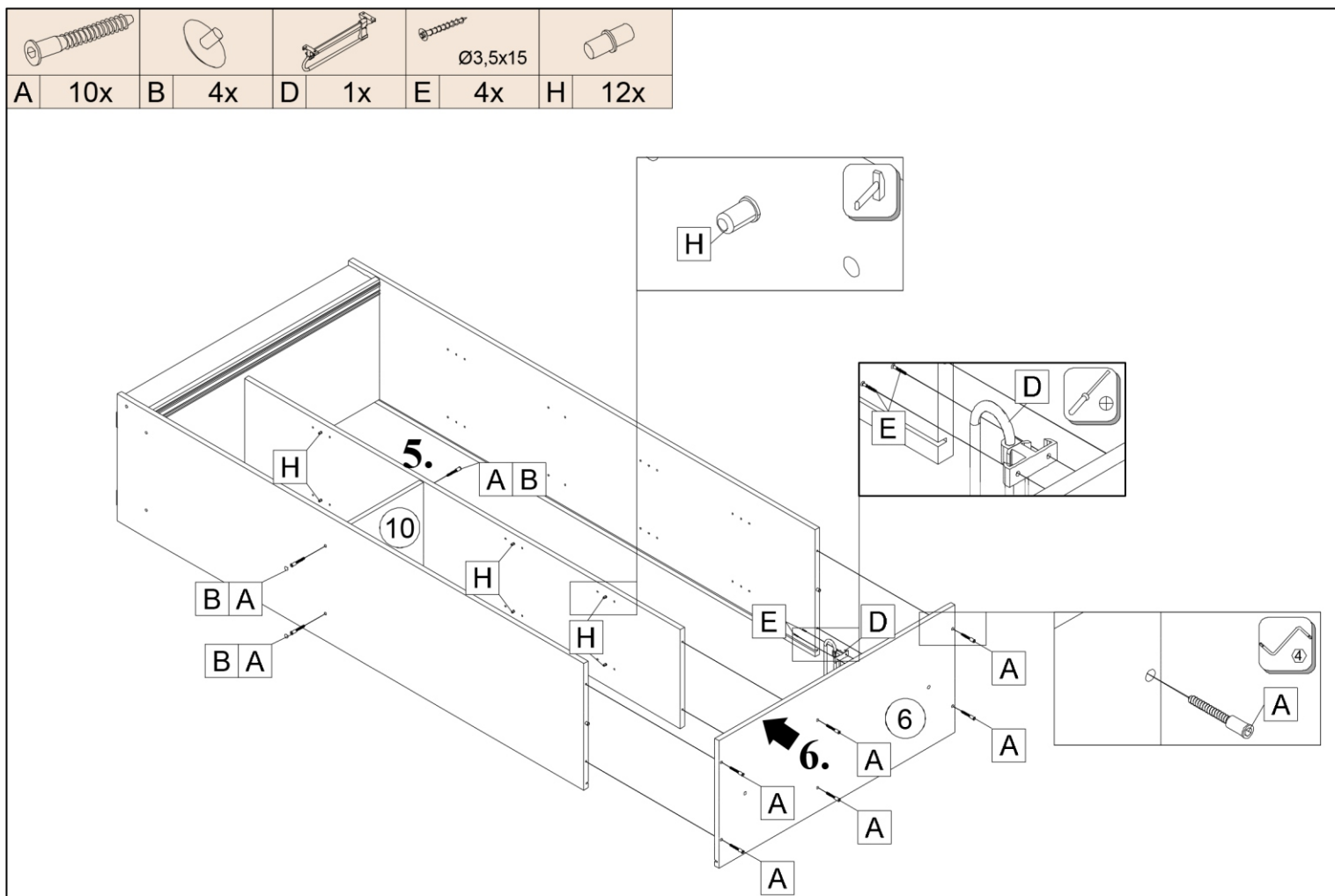
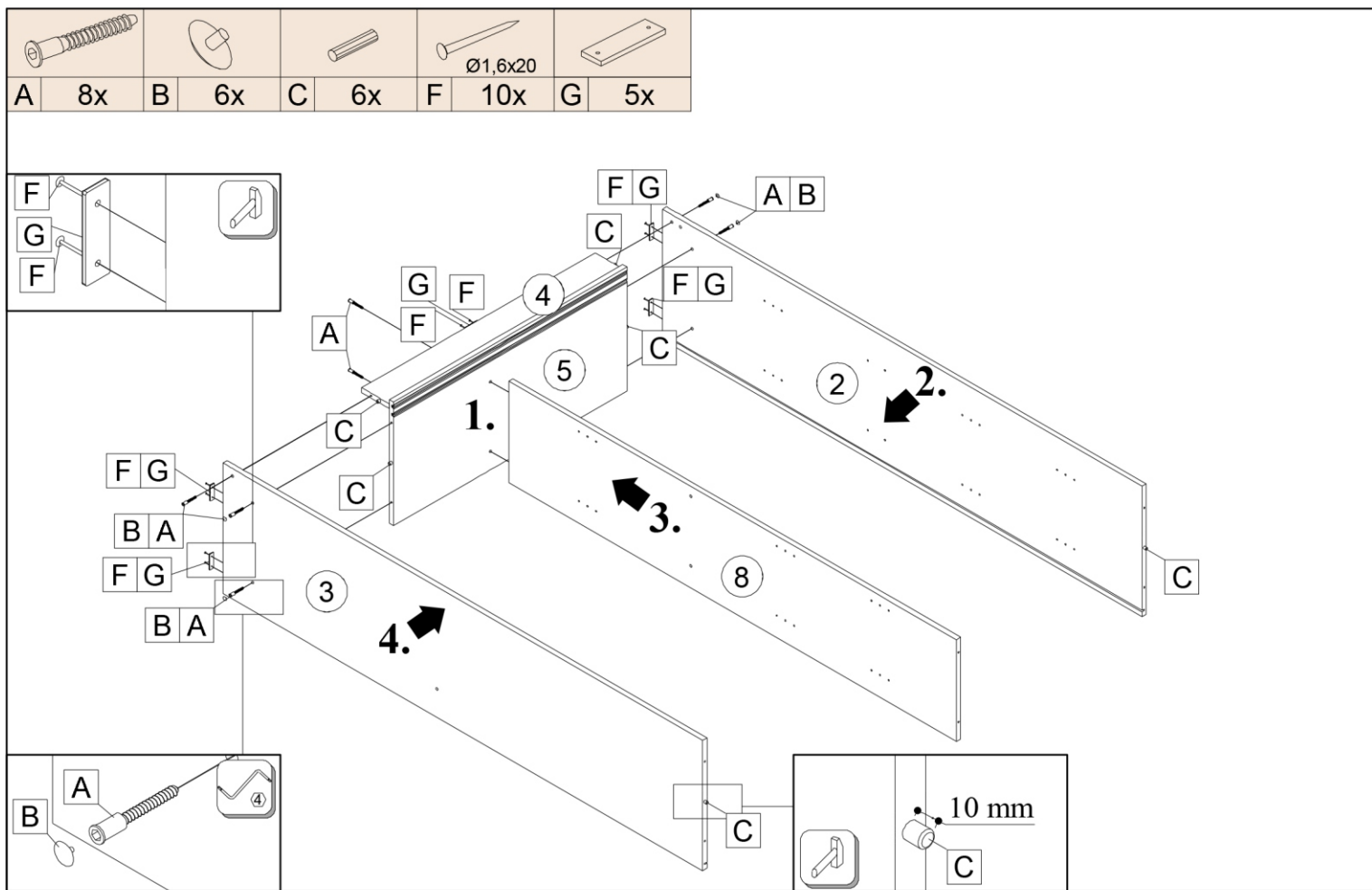
L 4x	M 8x	P 8x

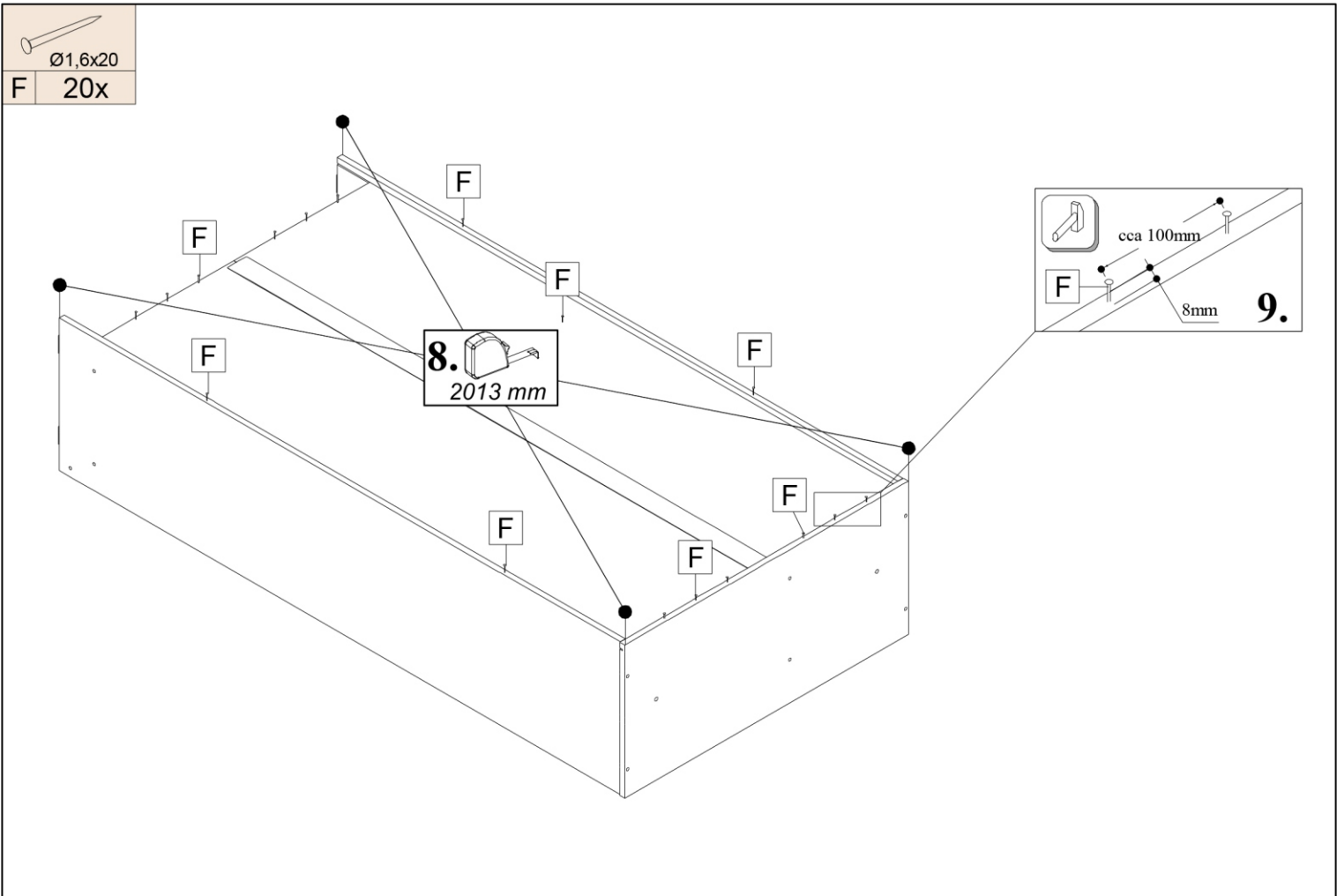
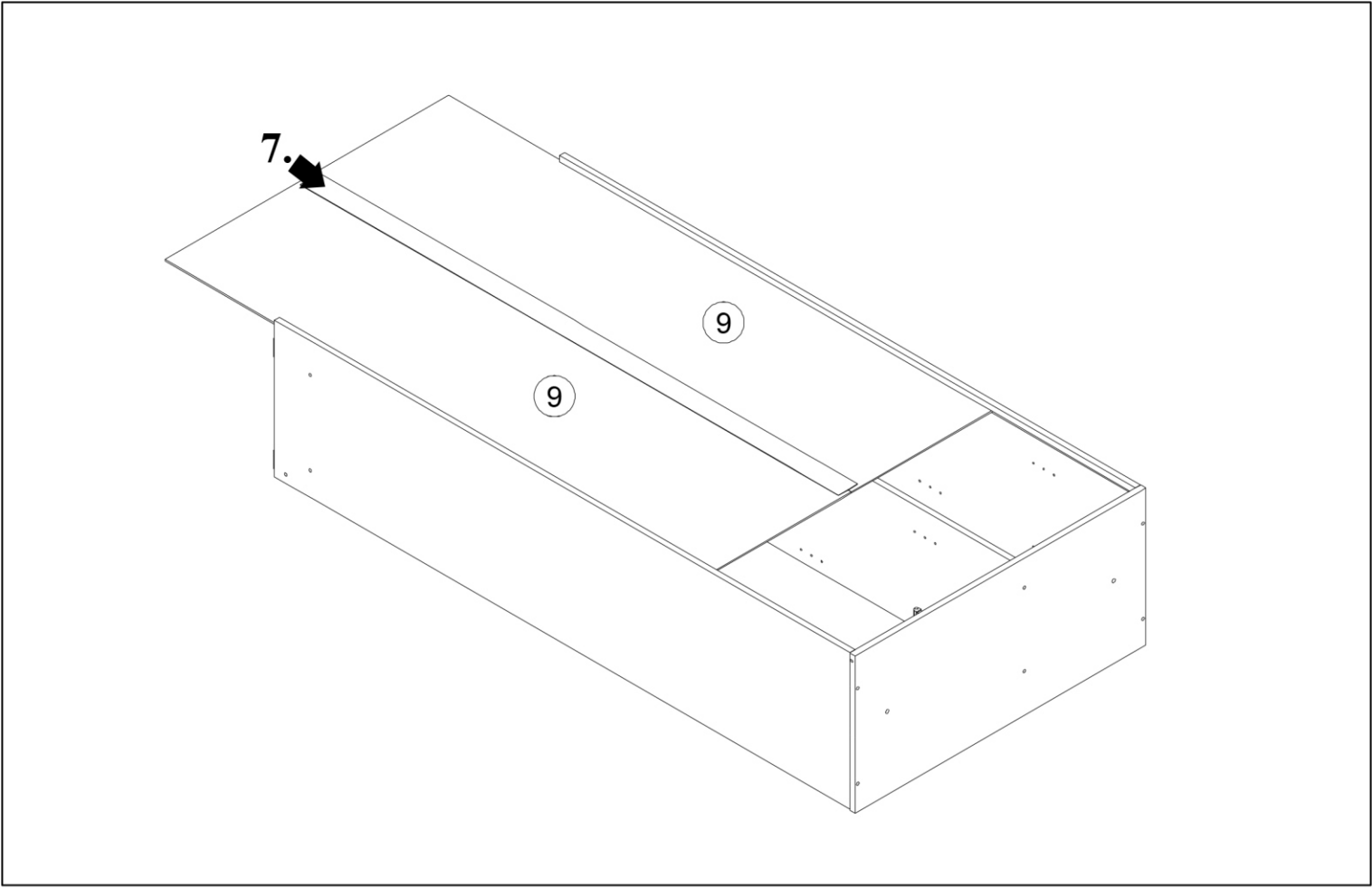
1h 30min		4	5,5 x 125	≤ 0,5 kg	3m	
----------	--	---	-----------	----------	----	--

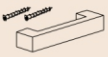




ID	ID			
01712	②	1784*420*16	1x	1/1
01713	③	1784*420*16	1x	1/1
01698	④	868*103*16	1x	1/1
01714	⑤	868*398*16	1x	1/1
01715	⑥	902*422*16	1x	1/1
01701	⑦	1658*440*16	2x	1/1
01716	⑧	1665*327*16	1x	1/1
01703	⑨	1687*442*2,5	2x	1/1
01717	⑩	351*325*16	1x	1/1
01718	⑪	351*325*16	3x	1/1



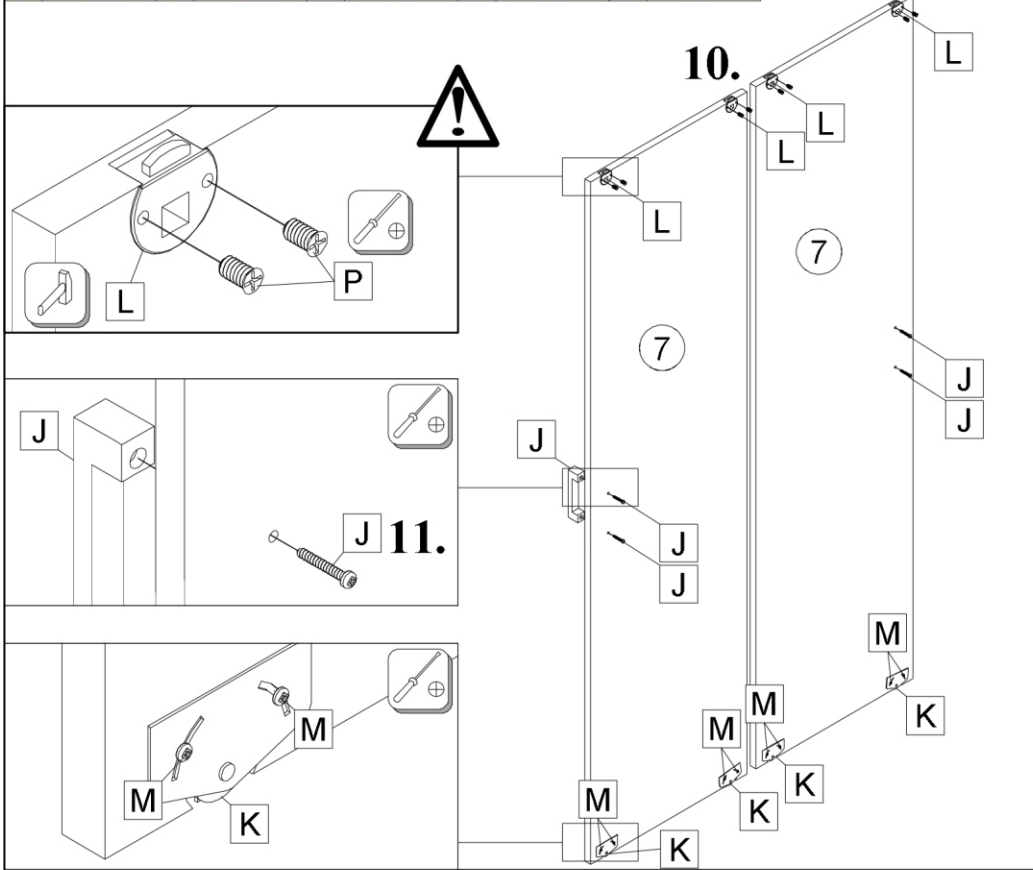
<input checked="" type="checkbox"/>	<input checked="" type="checkbox"/> <input checked="" type="checkbox"/>	<input checked="" type="checkbox"/>	<input checked="" type="checkbox"/>	<input checked="" type="checkbox"/>	<input checked="" type="checkbox"/>
-------------------------------------	---	-------------------------------------	-------------------------------------	-------------------------------------	-------------------------------------



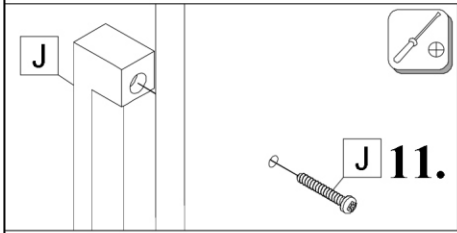


				
J 2x	K 4x	L 4x	M 8x	P 8x

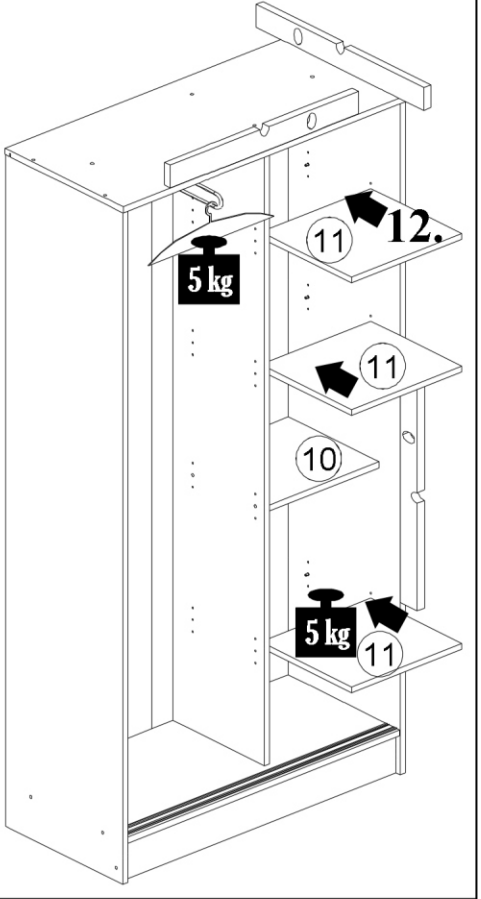
Ø3,5x16



10.



J 11.



11

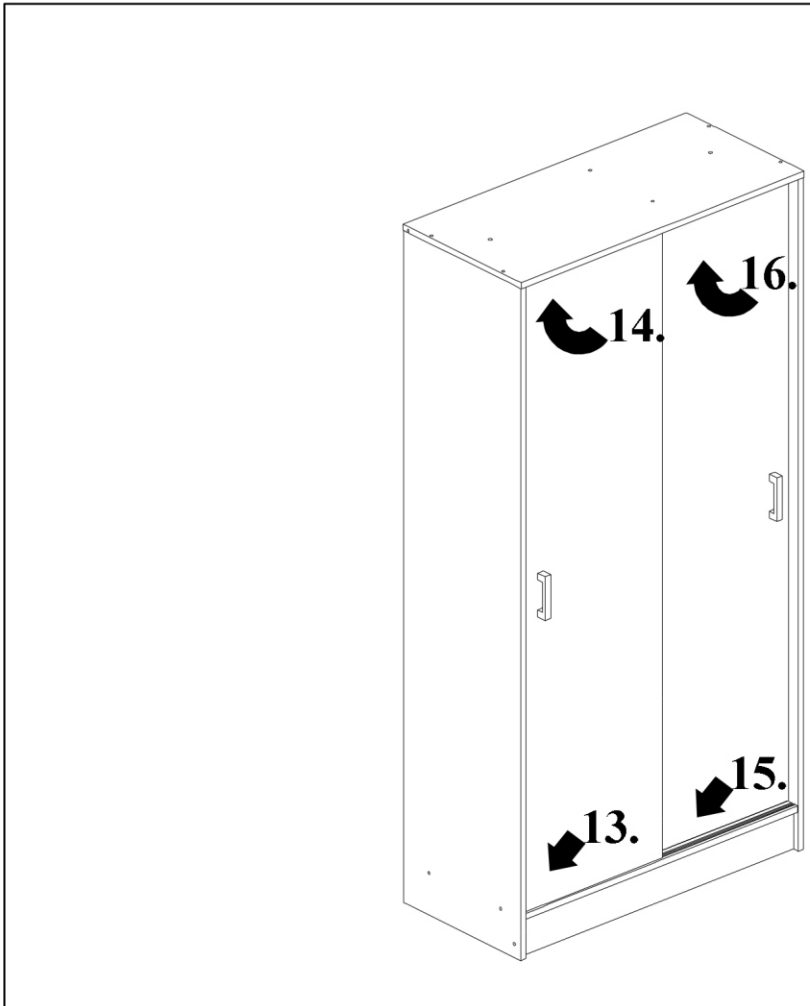
11

10

11

5 kg

5 kg

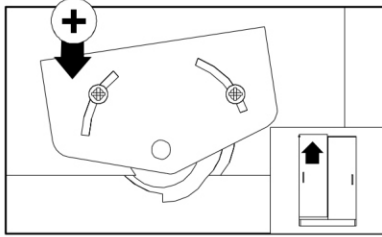


14.

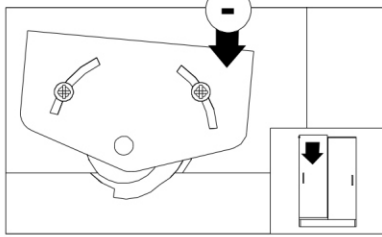
16.

13.

15.



+



-