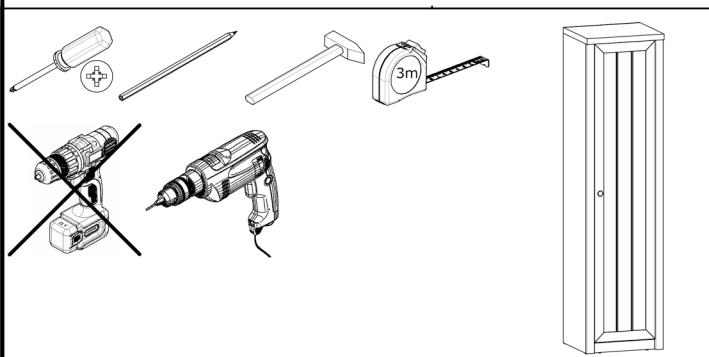
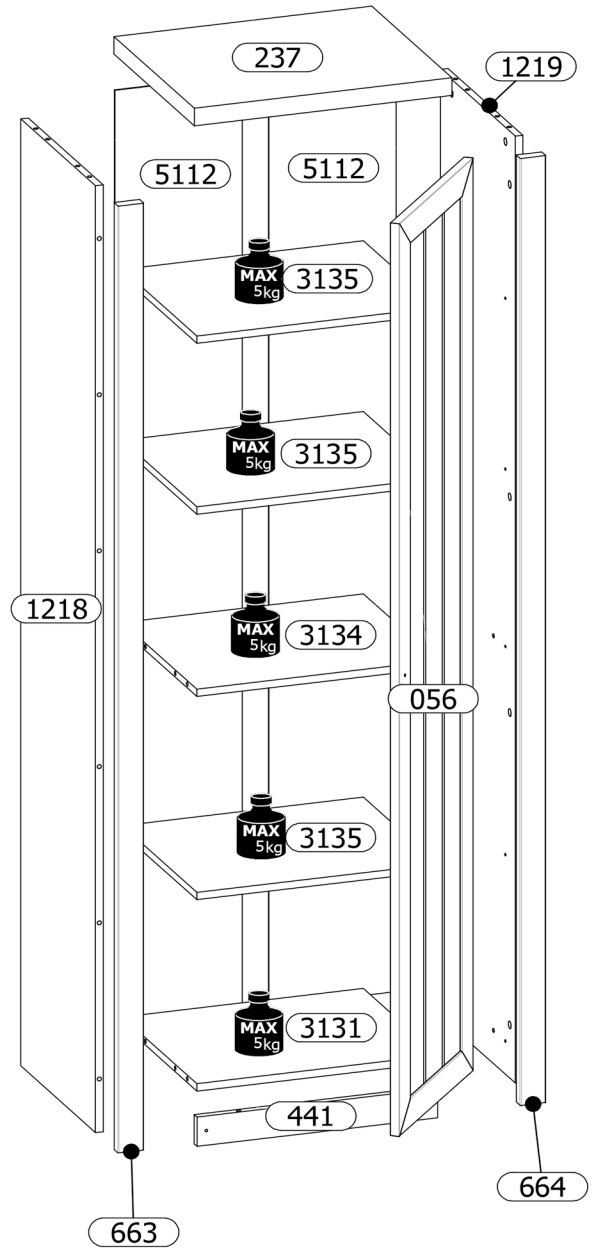
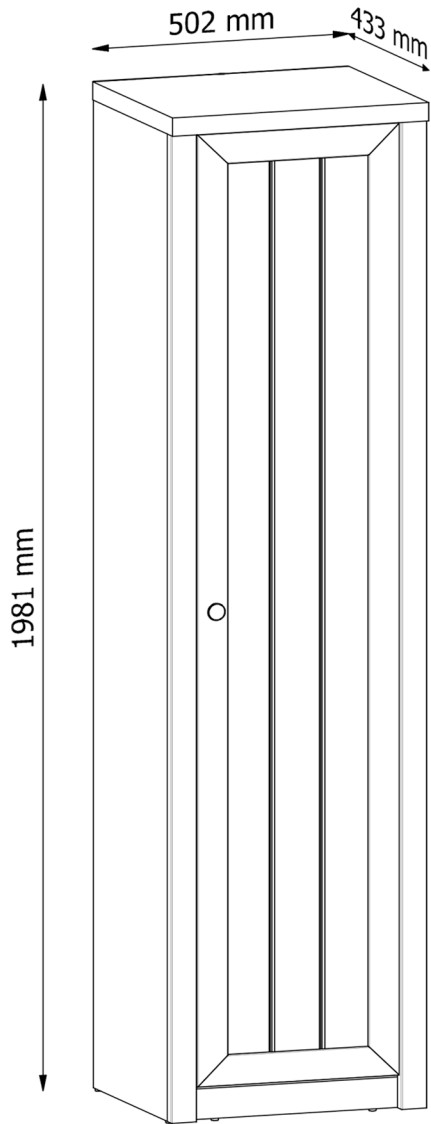
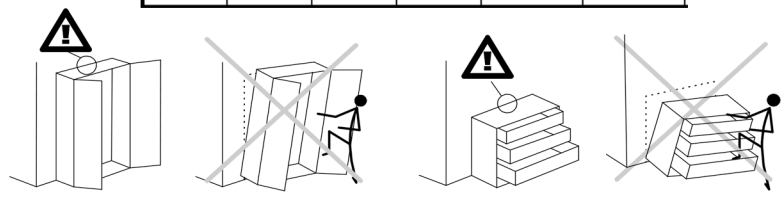


S1D SA



A1 x18 Ø8x35mm	B1 x20 Ø5x38mm	C1 x20 Ø15x12mm	E1 x12 Ø5x16mm	G1 x38 26mm
H x1 Ø19x15mm	J1 x16 Ø21mm	T4 x1 75x28x16 mm	U1 x1 Ø33mm	W2 x8 Ø3,5x16mm
W5 x2 Ø4x30mm	X4 x1 M4x25mm	Y1 x1 Ø8mm	Y5 x6 Ø15x20mm	Z6 x3 Ø35mm, 90°

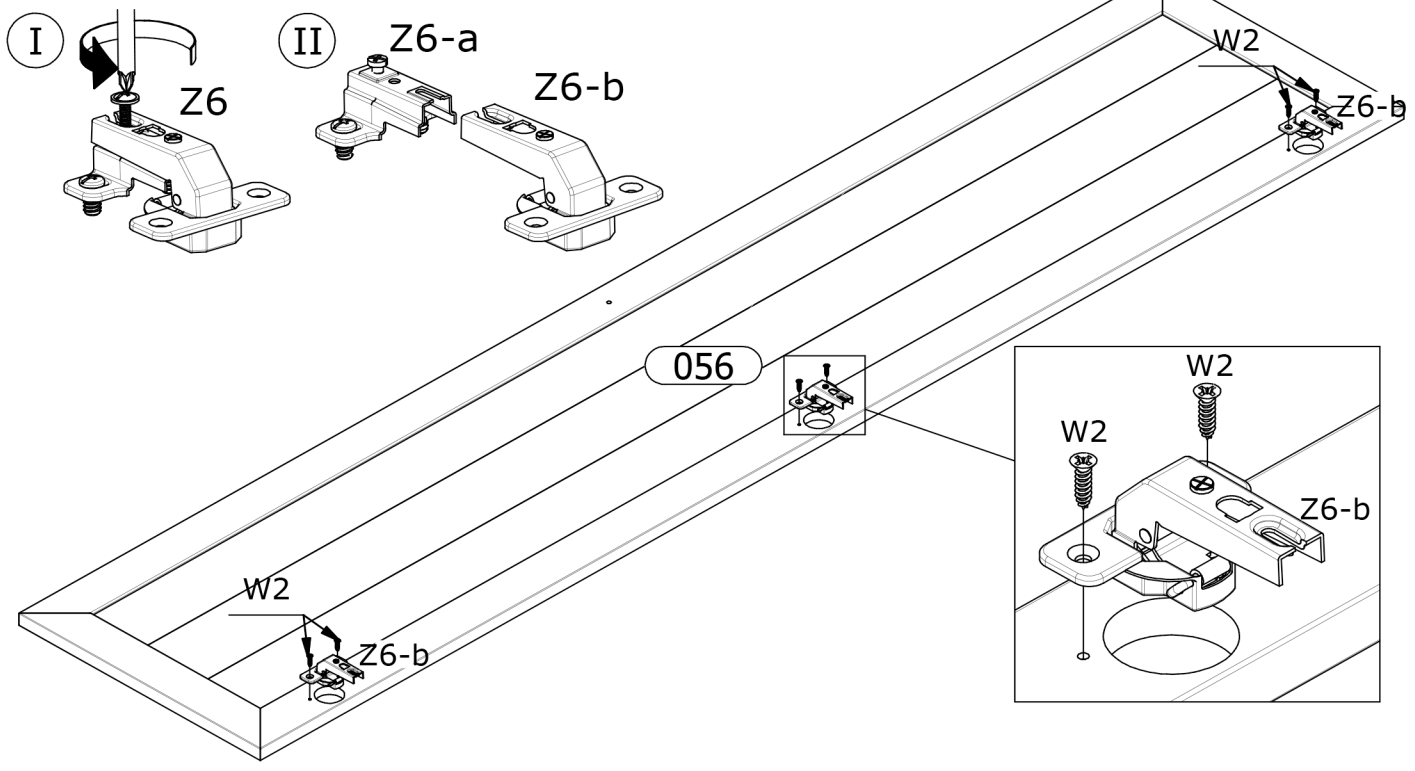
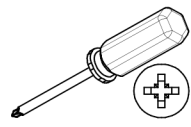
No	L[mm]	W[mm]	H[mm]	PCS	BOX
056	1870	395	18	1	2/3
1218	1940	400	15	1	2/3
1219	1940	400	15	1	2/3
237	502	430	36	1	1/3
3131	470	400	15	1	1/3
3134	470	400	15	1	1/3
3135	470	400	15	3	1/3
441	469	60	15	1	1/3
5112	1915	248	2,5	2	2/3
663	1940	50	22	1	2/3
664	1940	50	22	1	2/3



1

W2 x 6
Ø3,5x16mm

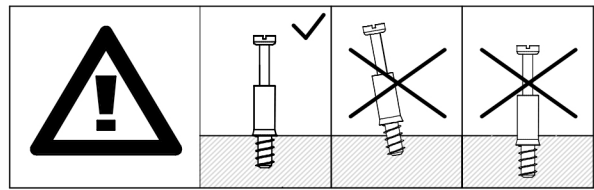
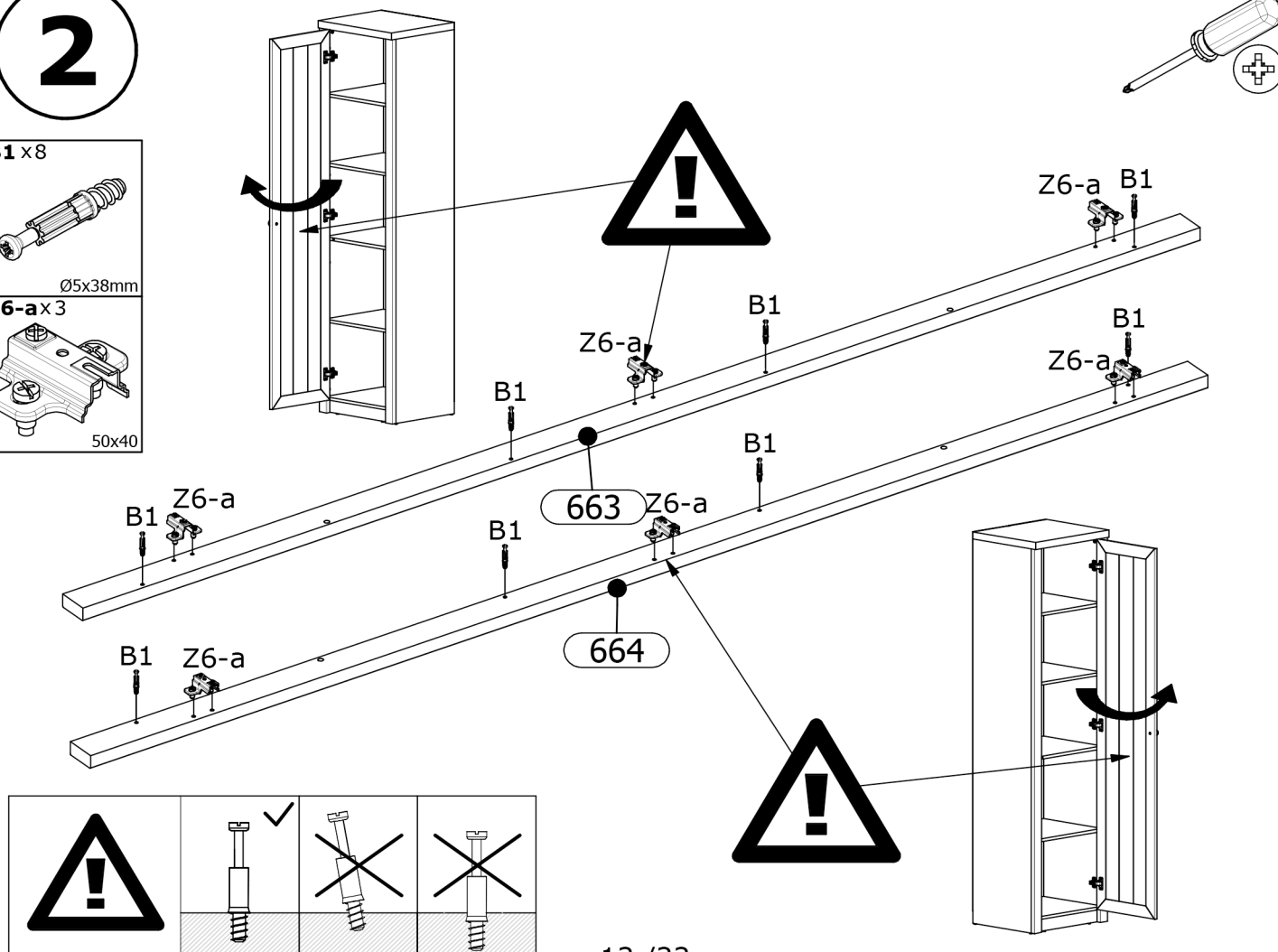
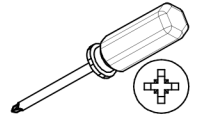
Z6 x 3
Ø35mm, 90°



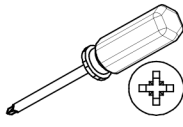
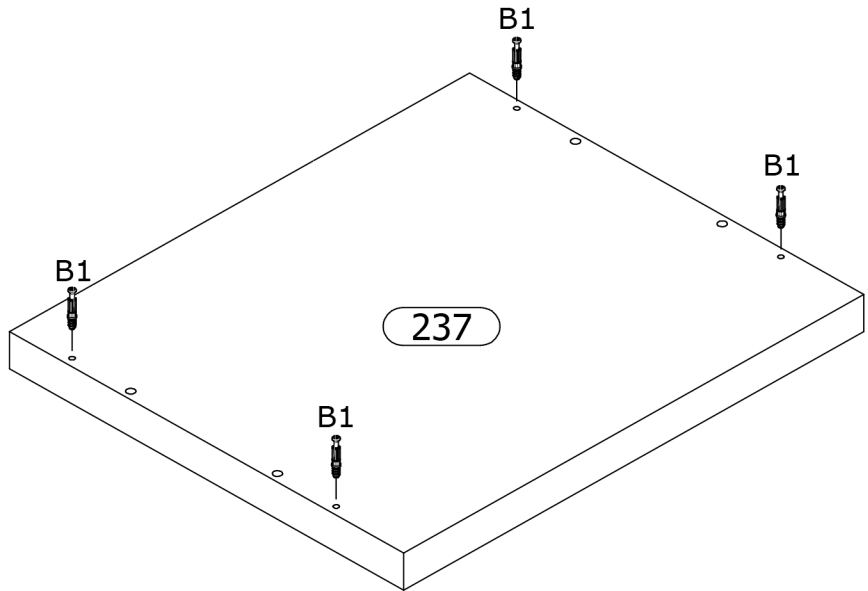
2

B1 x 8
Ø5x38mm

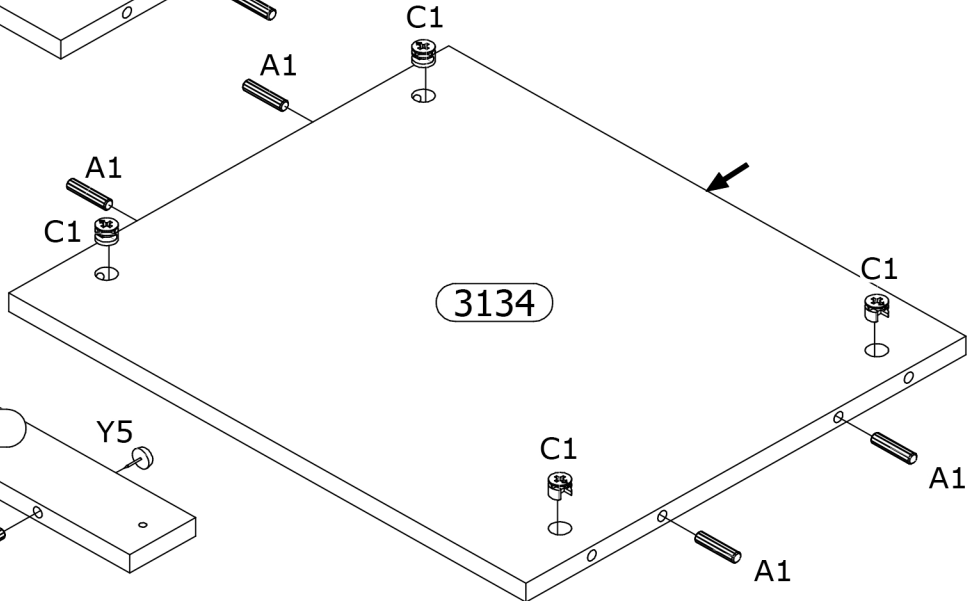
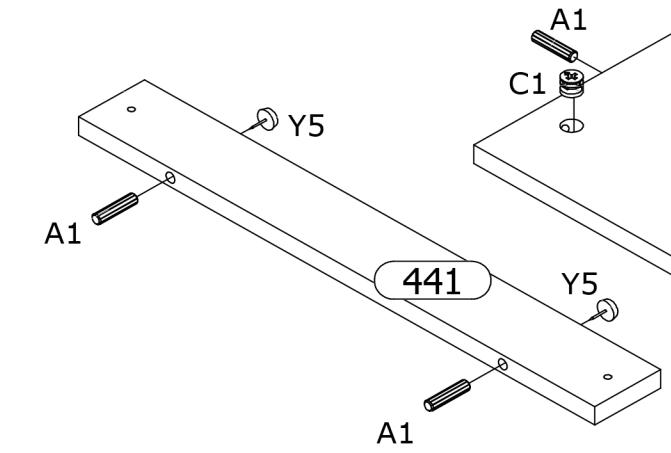
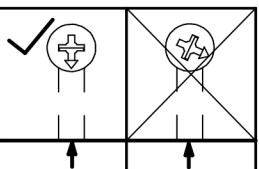
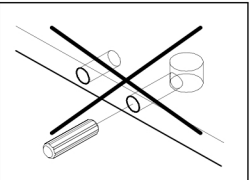
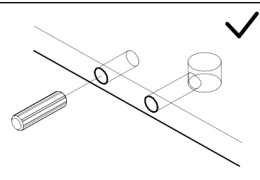
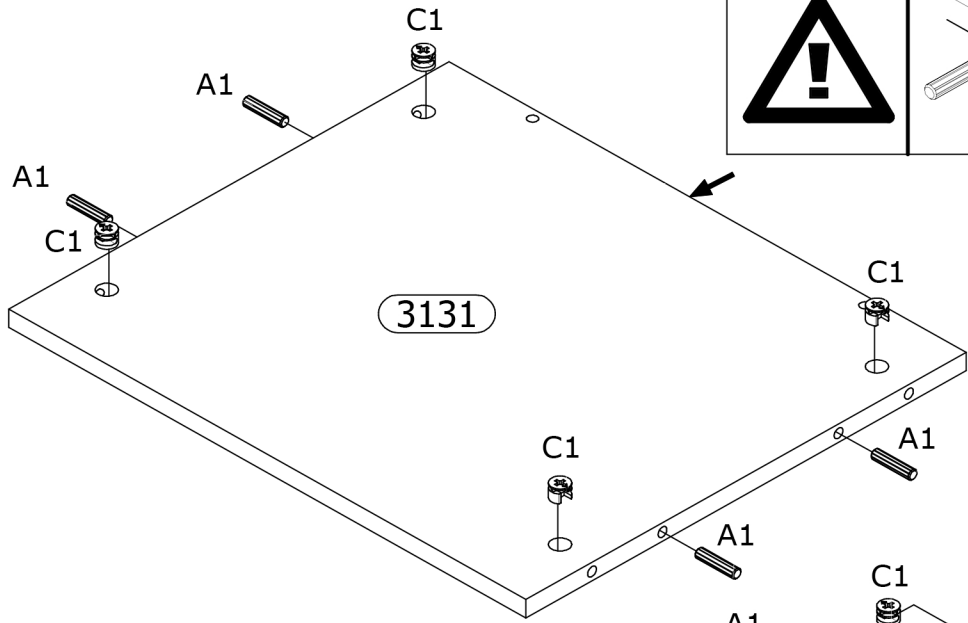
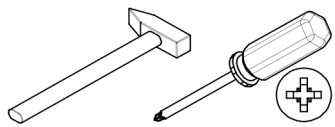
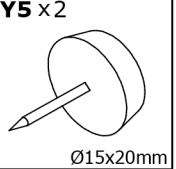
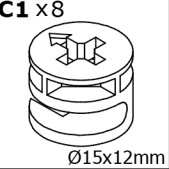
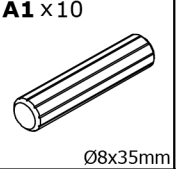
Z6-a x 3
50x40



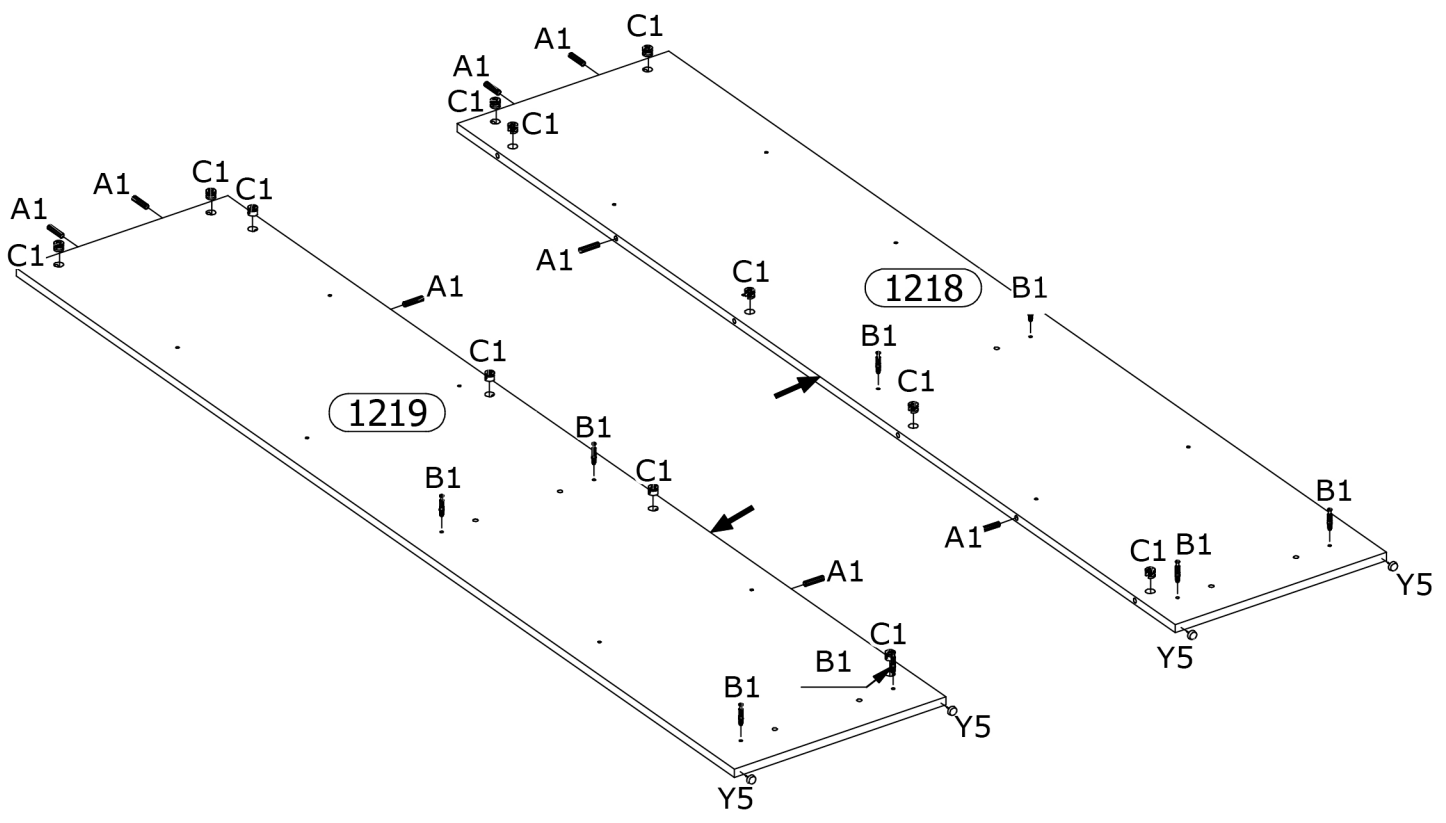
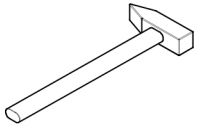
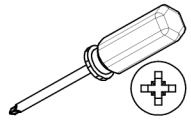
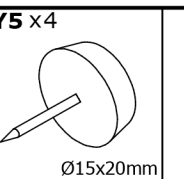
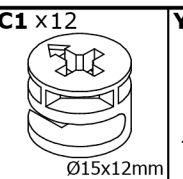
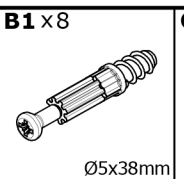
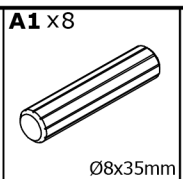
3



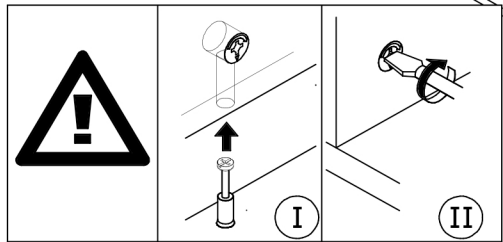
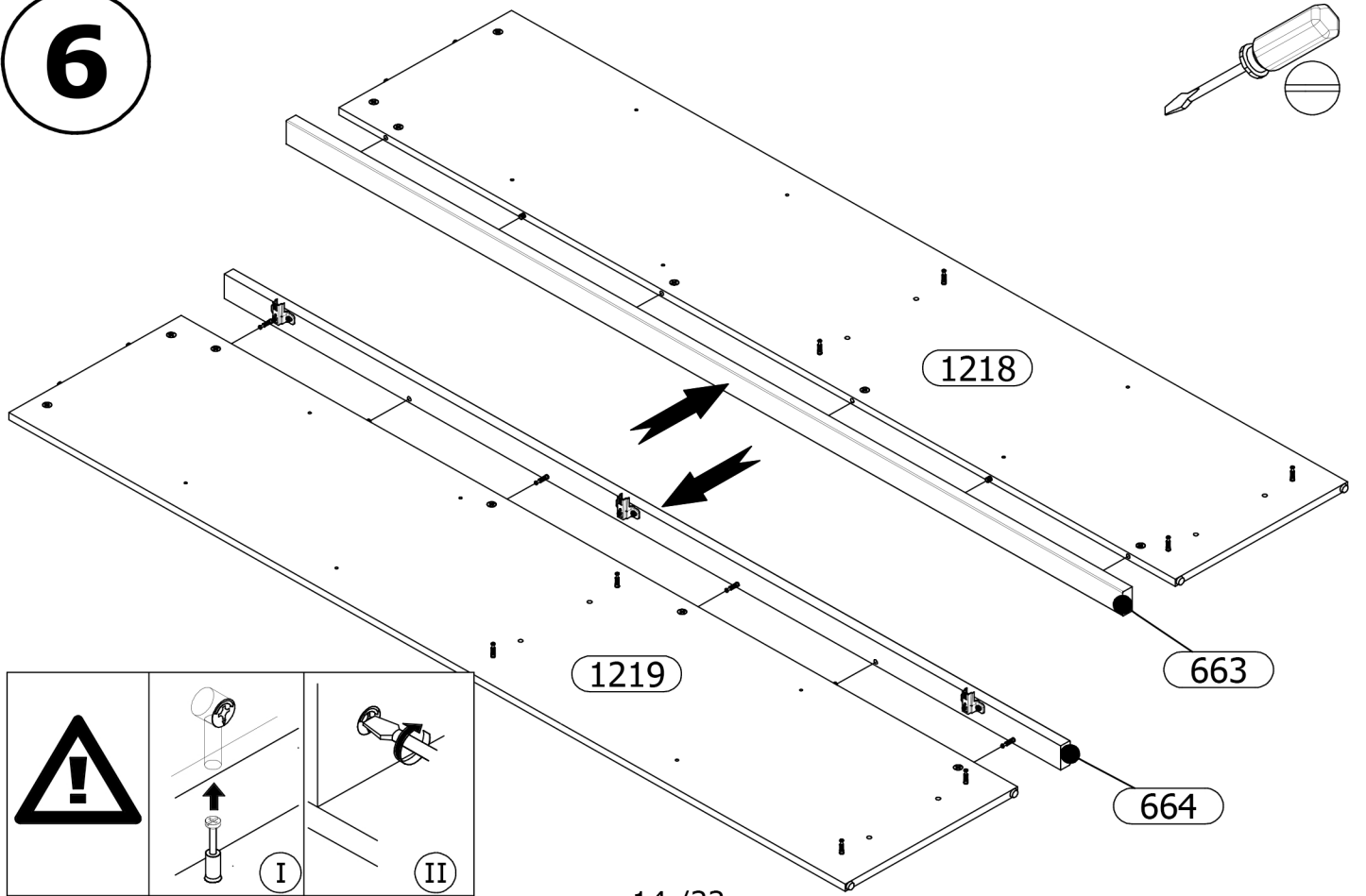
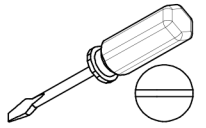
4



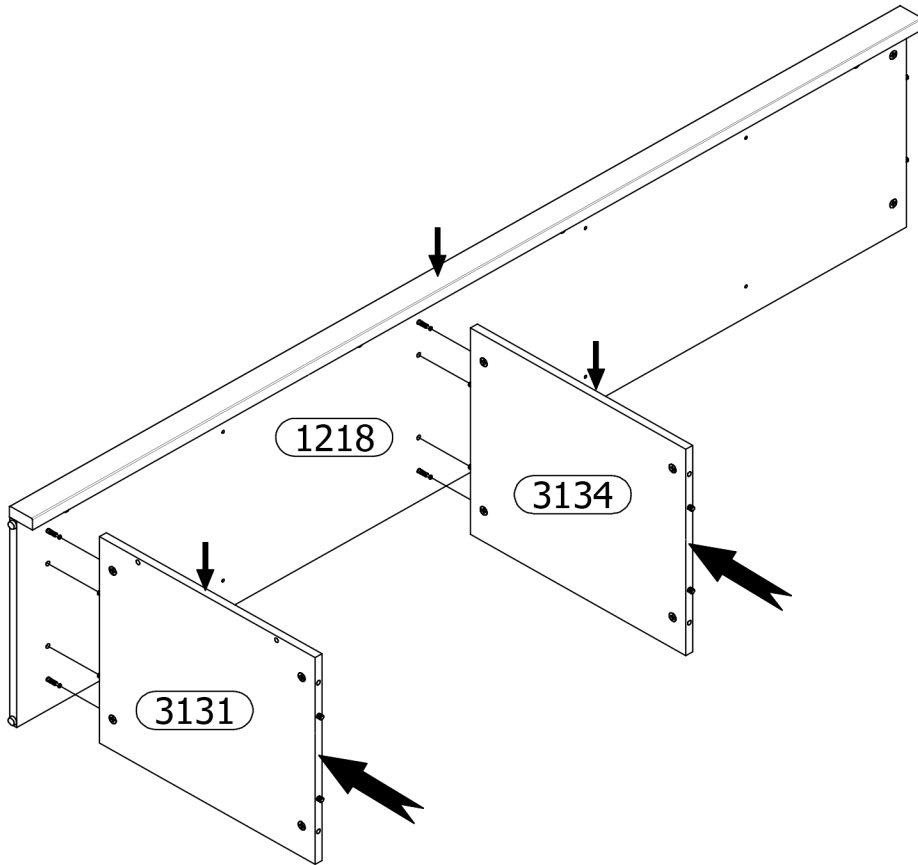
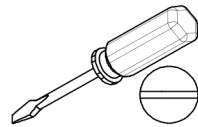
5



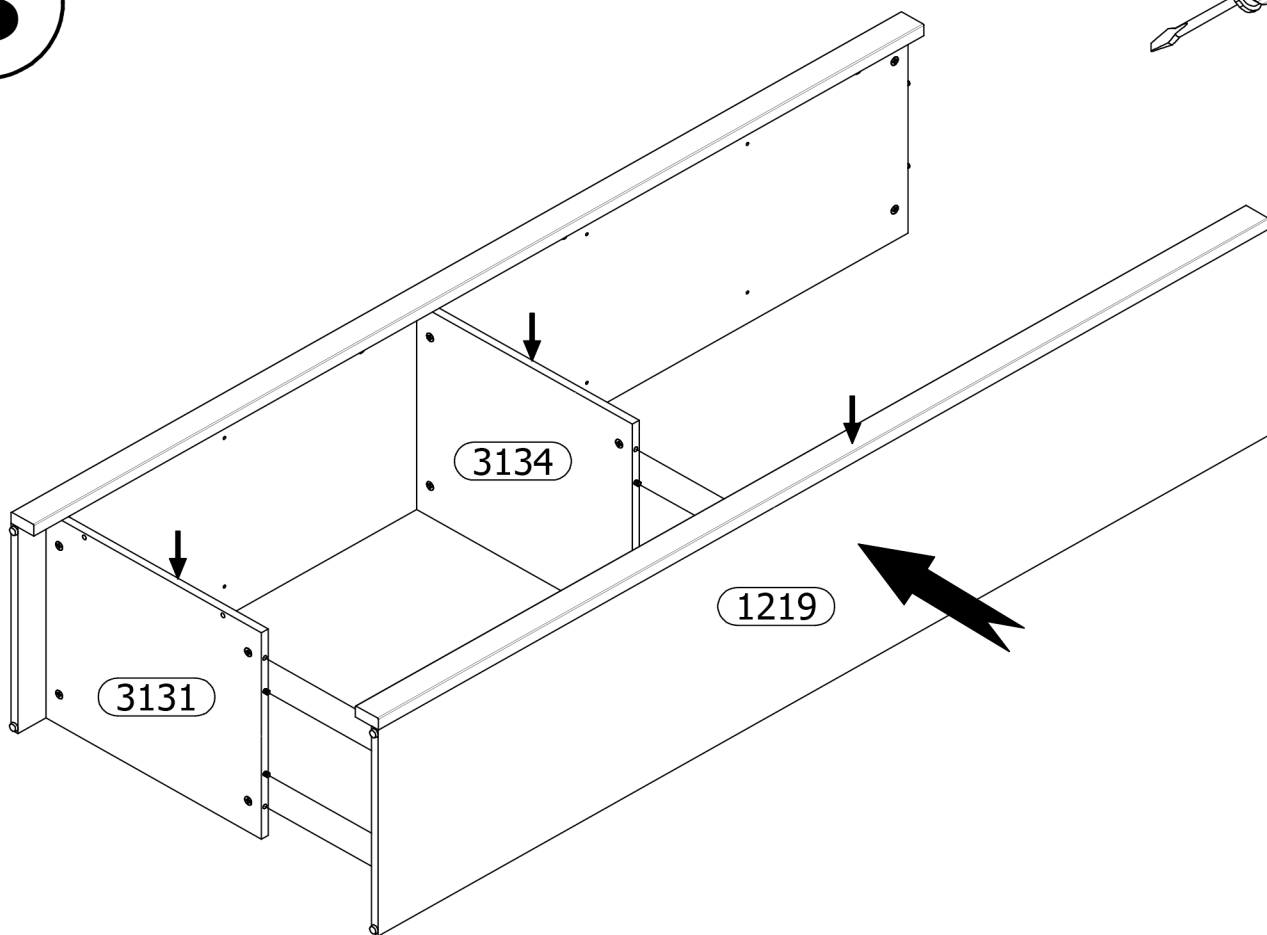
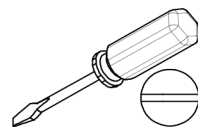
6



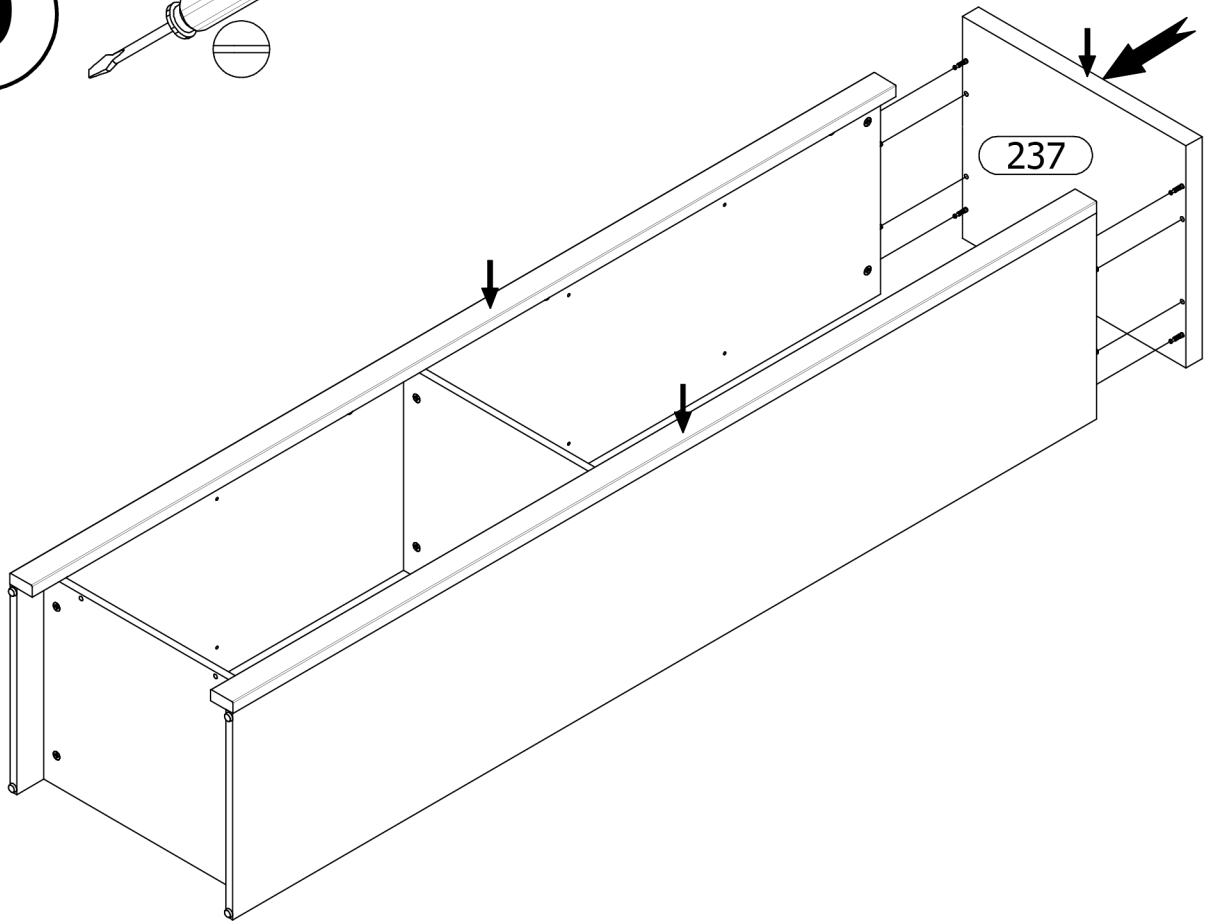
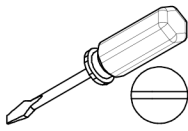
7



8



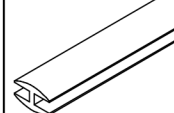
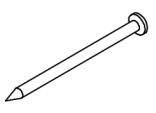
9



10

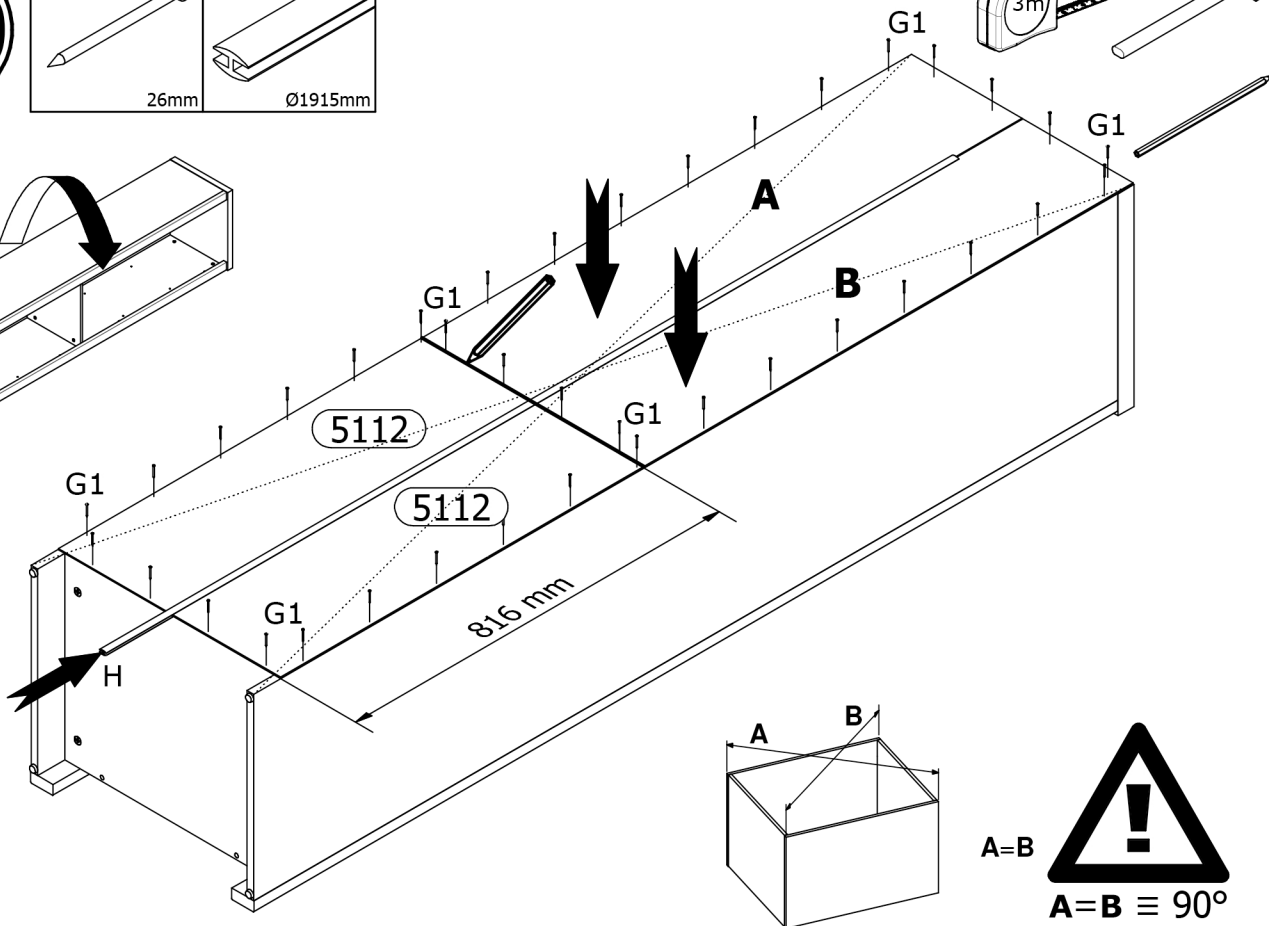
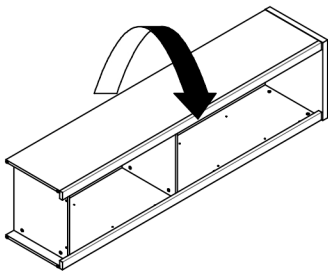
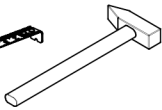
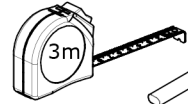
G1 x 38

H x 1

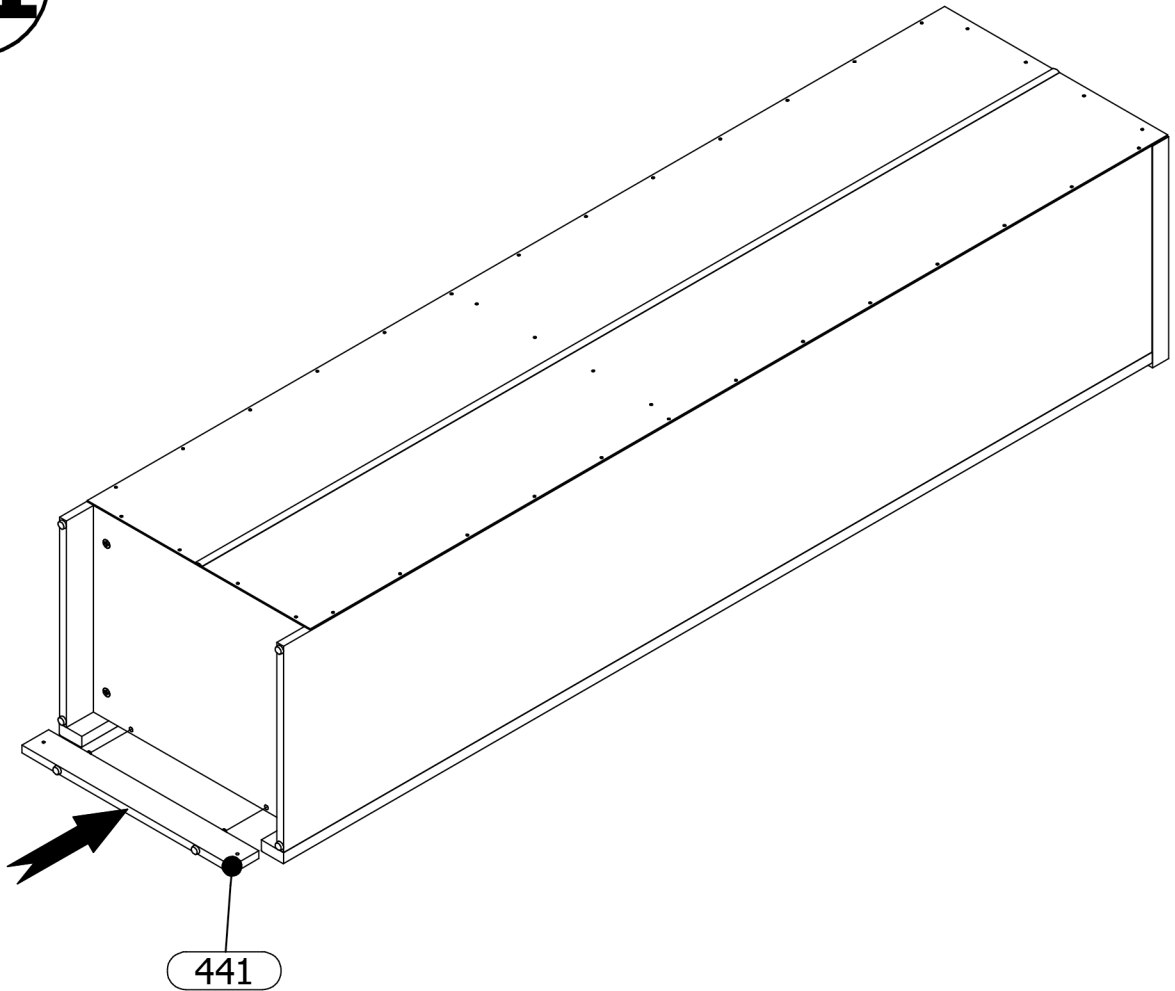


26mm

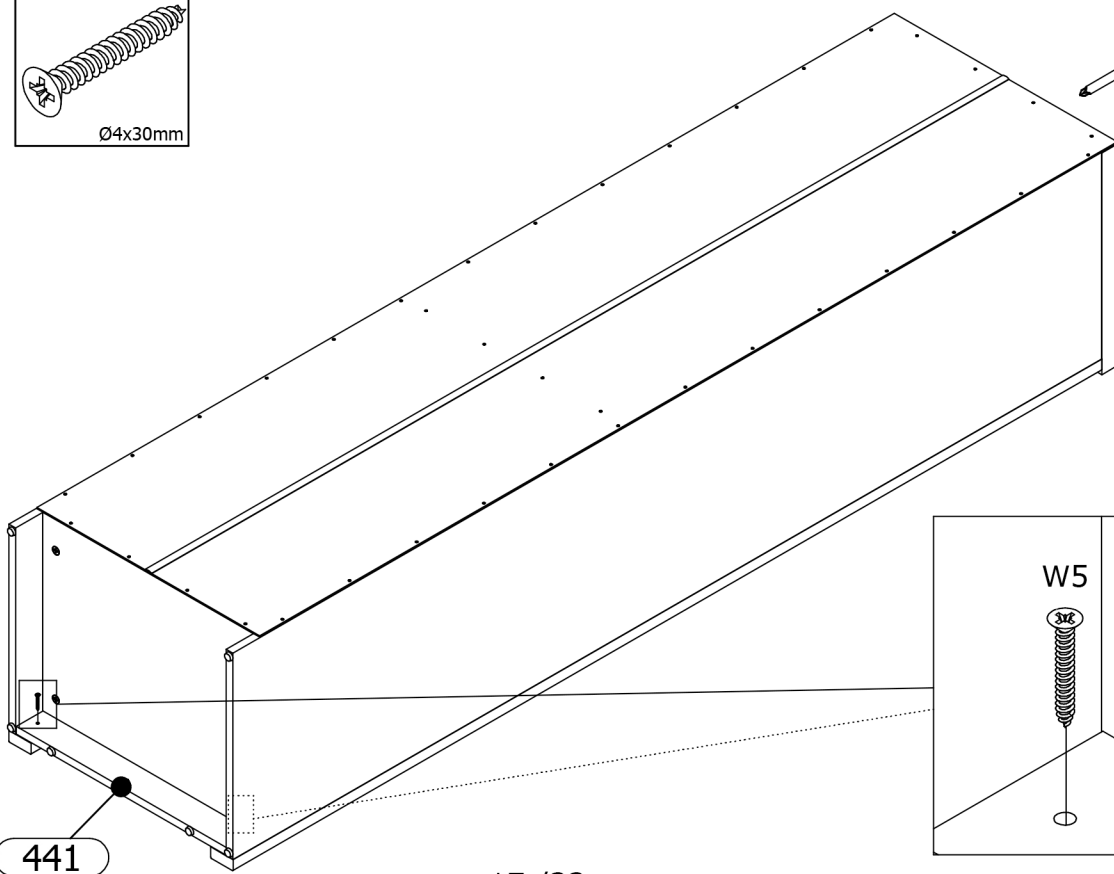
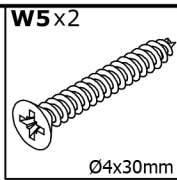
Ø1915mm



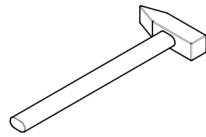
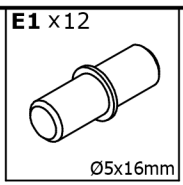
11



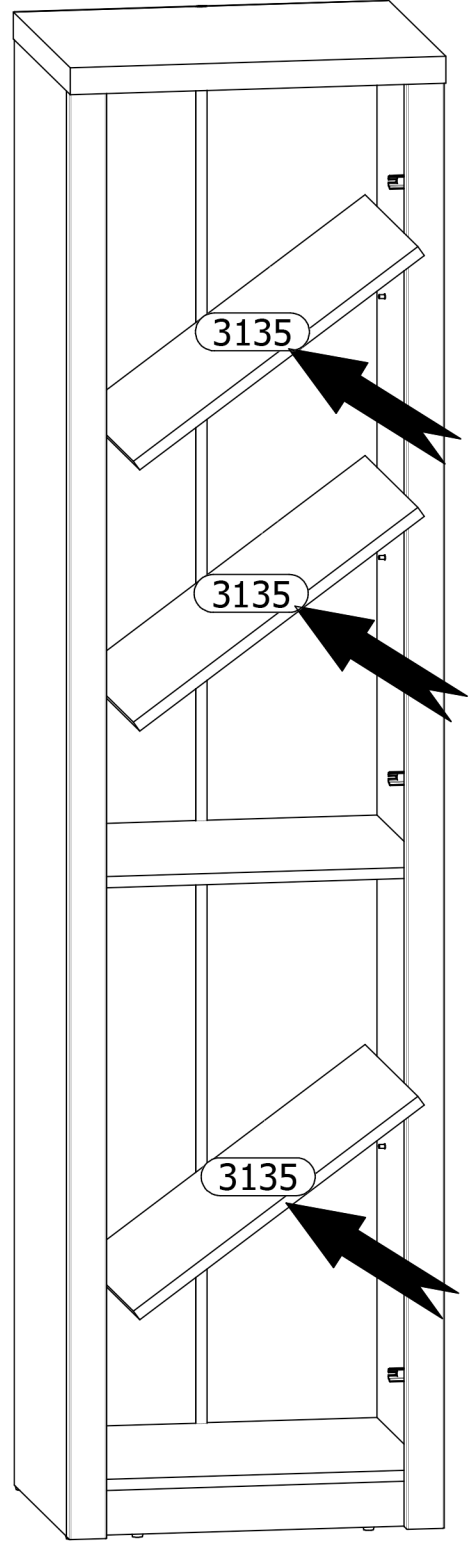
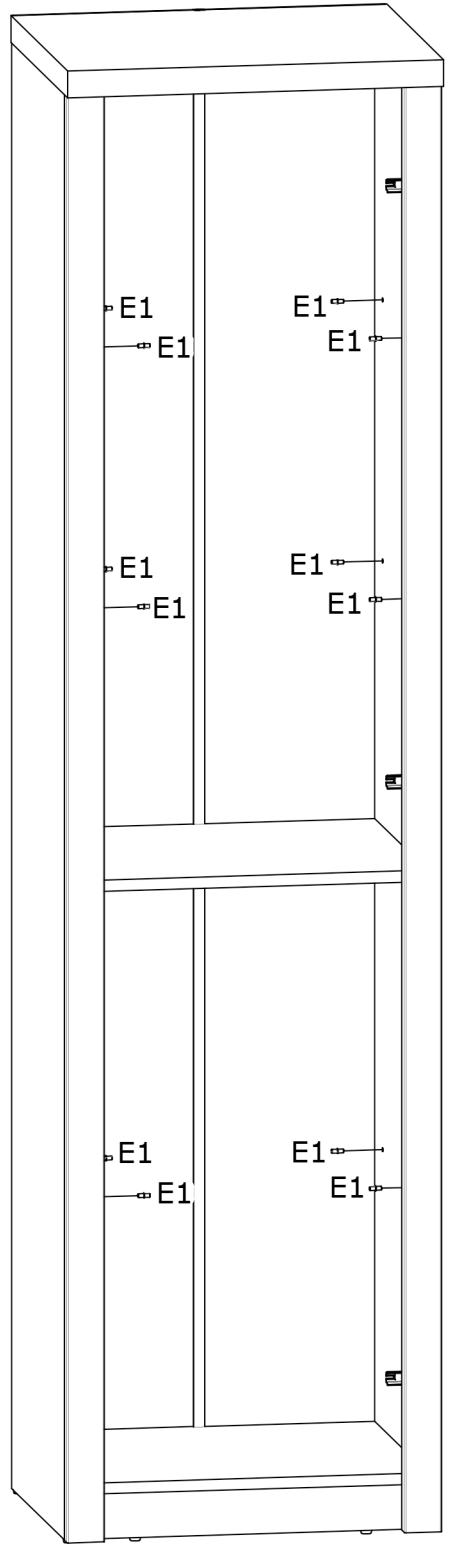
12



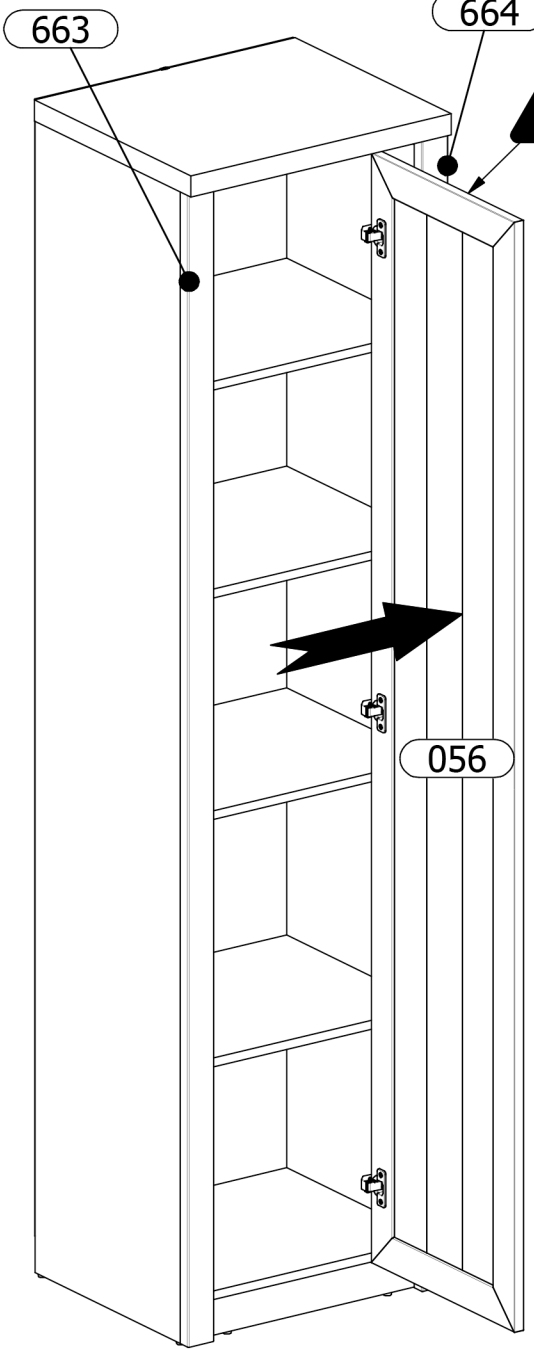
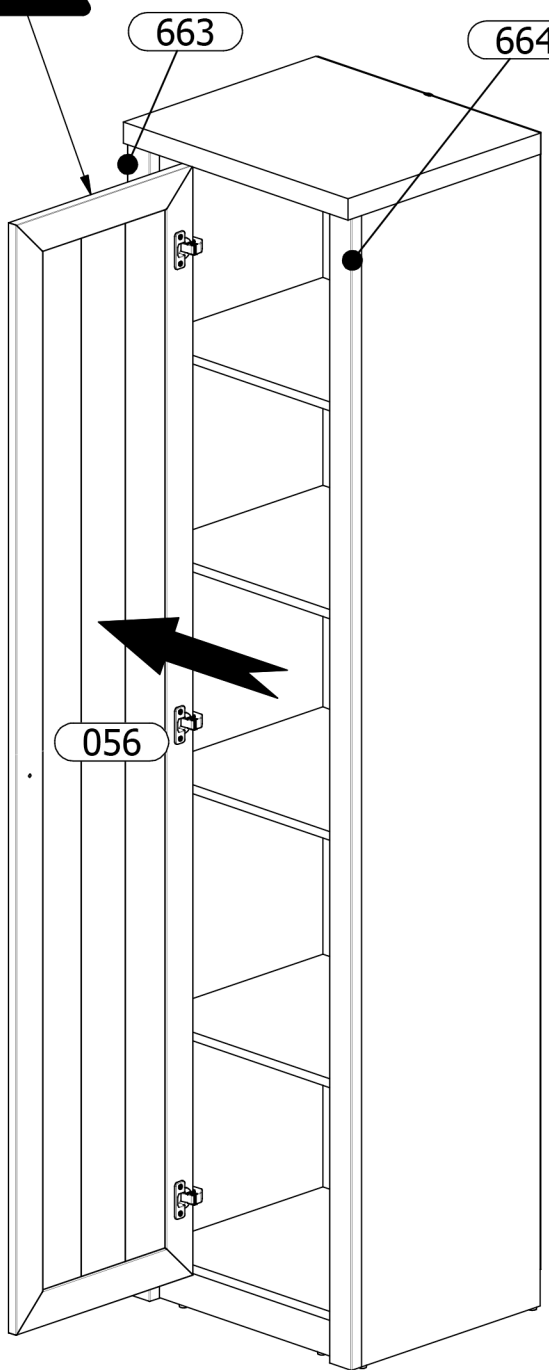
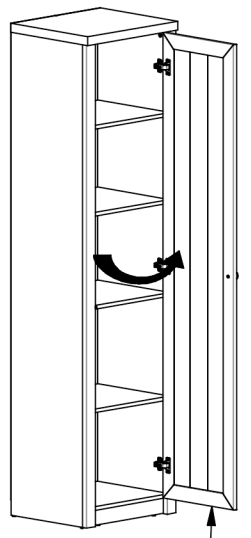
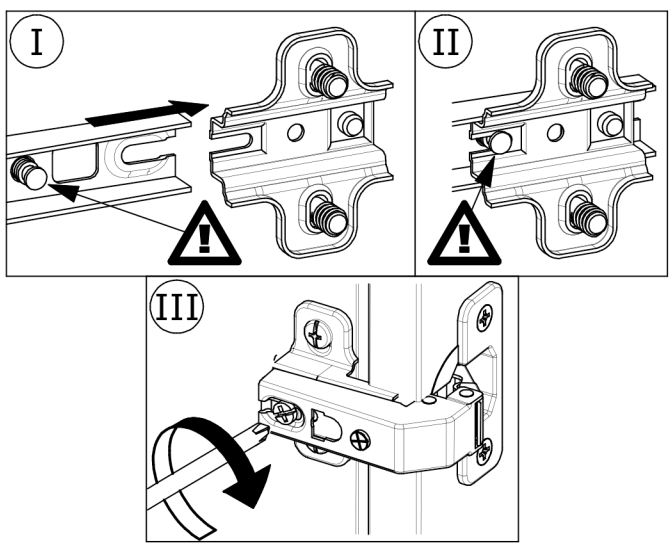
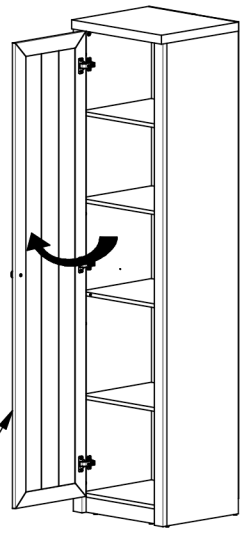
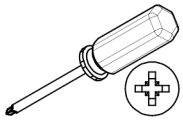
13




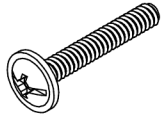

14

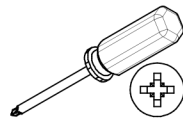


15




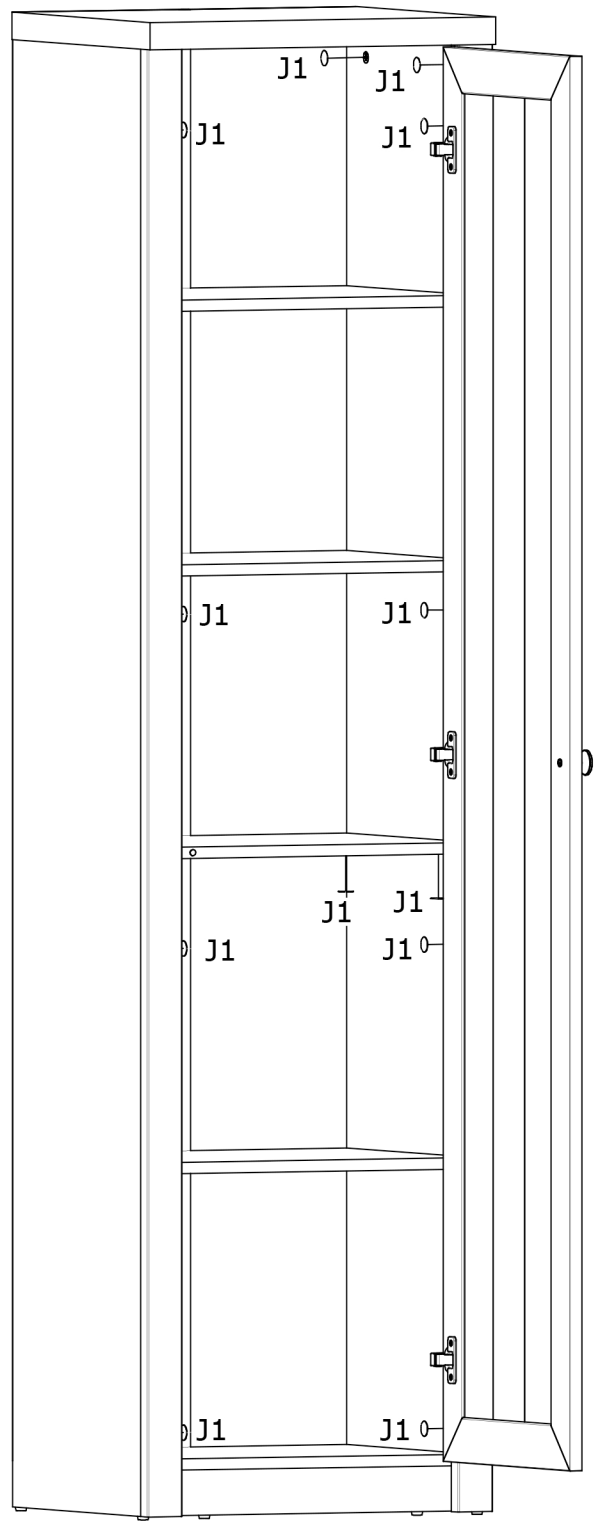
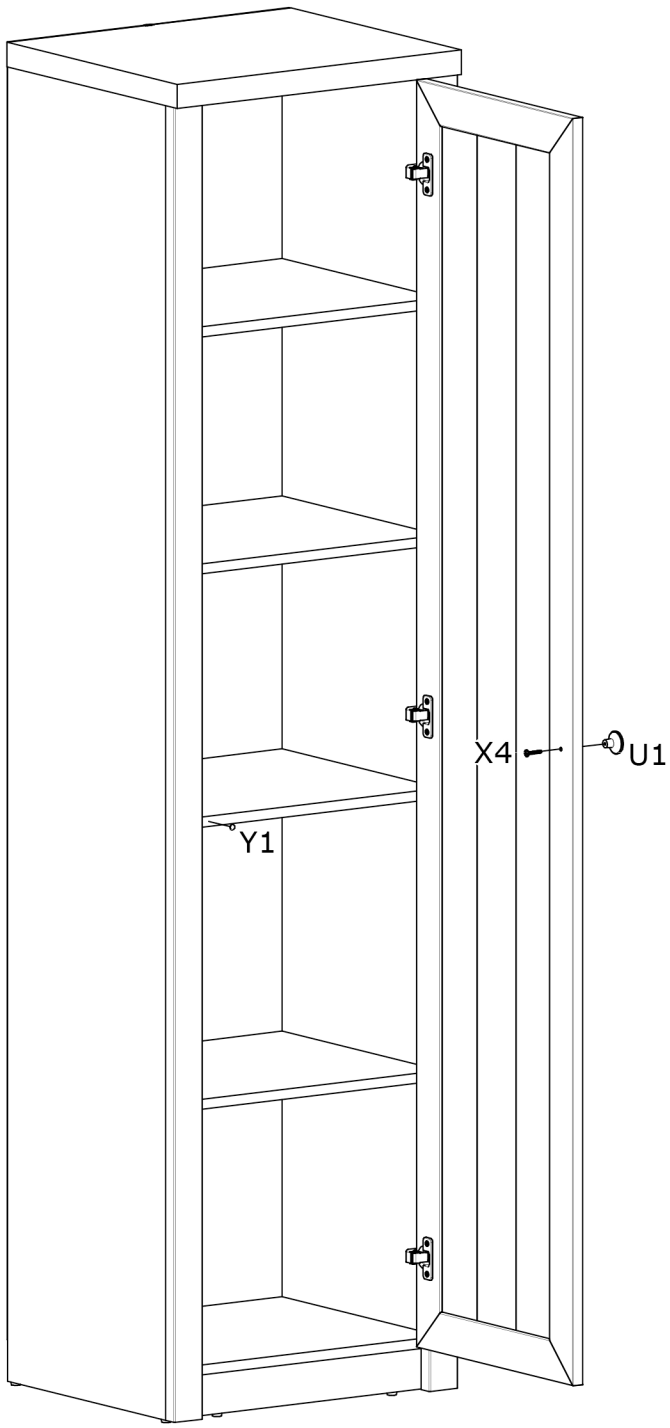
16

U1 x1  Ø33mm	X4 x1  M4x25mm	Y1 x1  Ø8mm
---	---	--



17

J1 x16  Ø21mm



18

T4 x1
75x28x16 mm

W2 x2
Ø3,5x16mm

