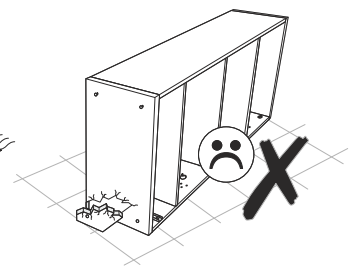
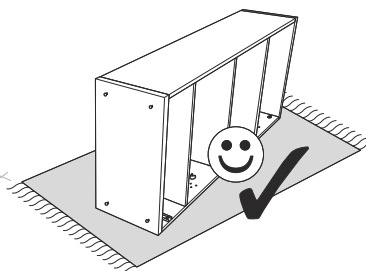
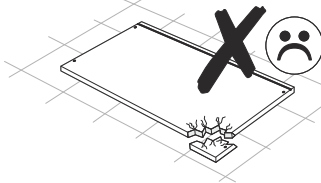
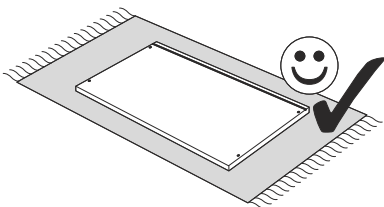
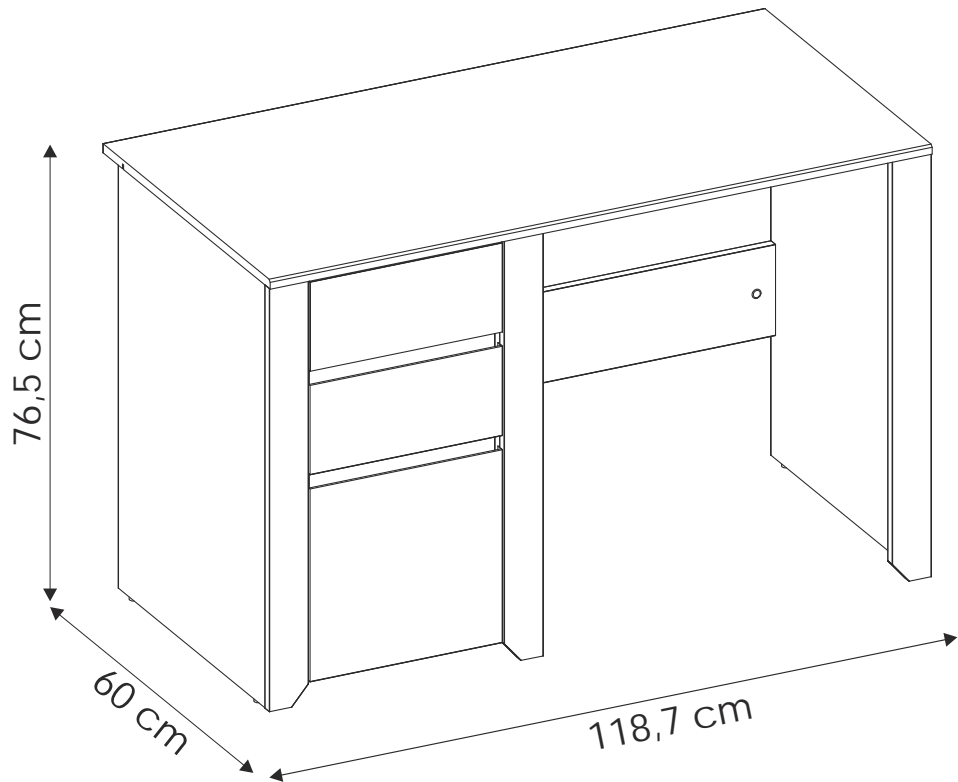
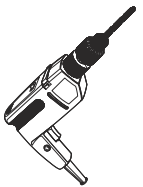
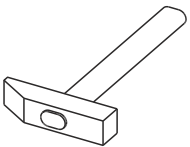
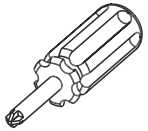
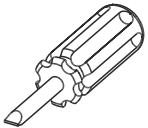
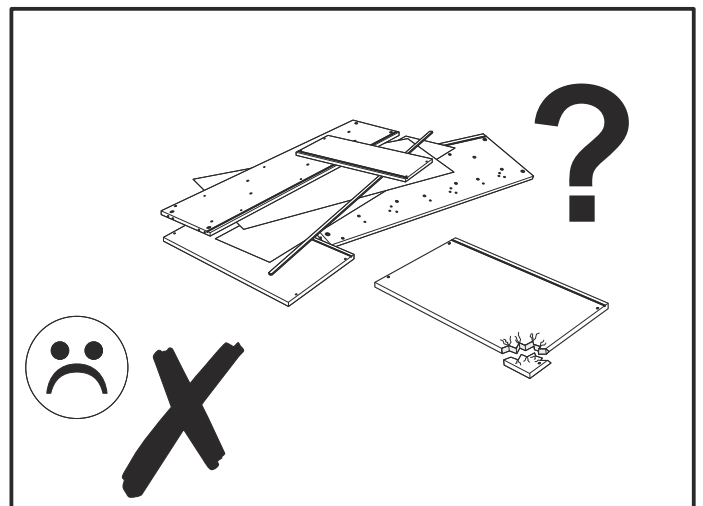
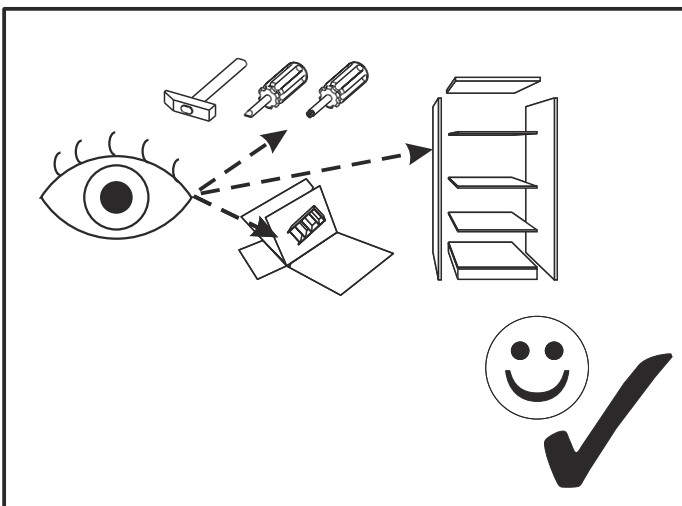
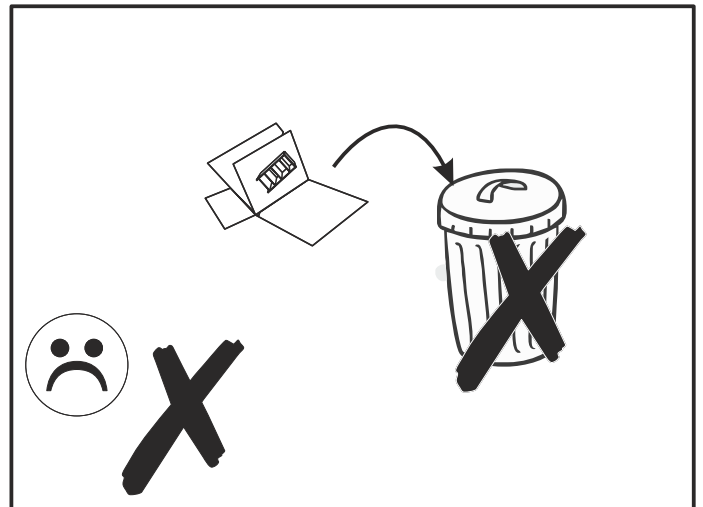
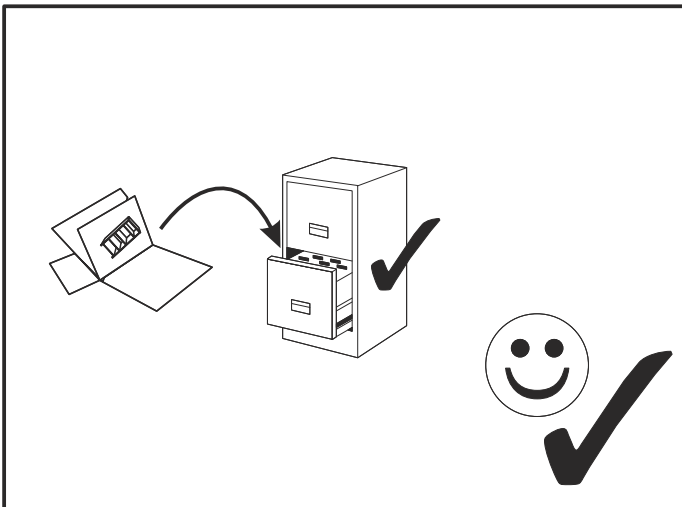
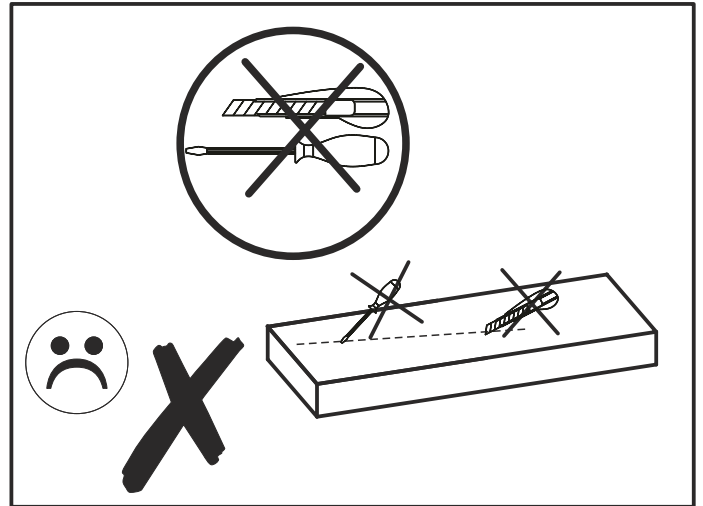
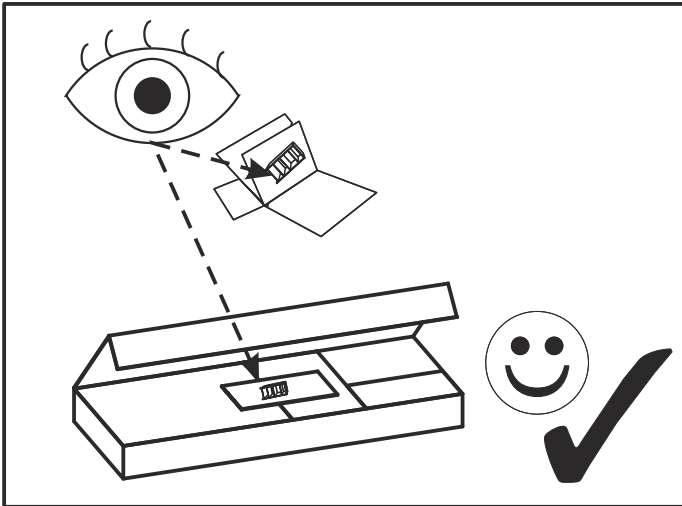
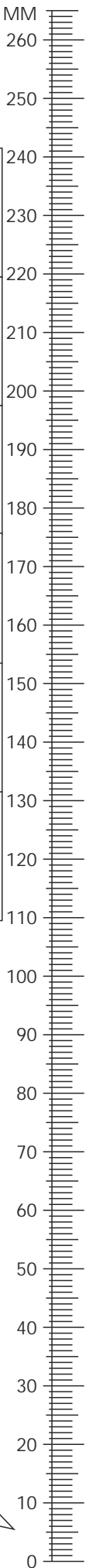








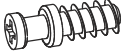

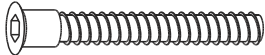

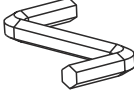

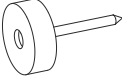

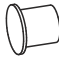


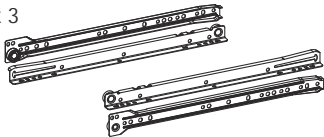
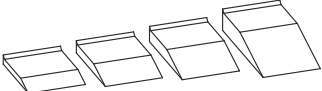
ANGEL 80

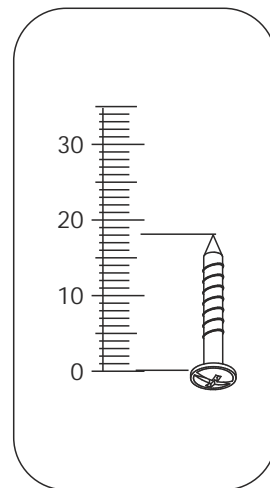




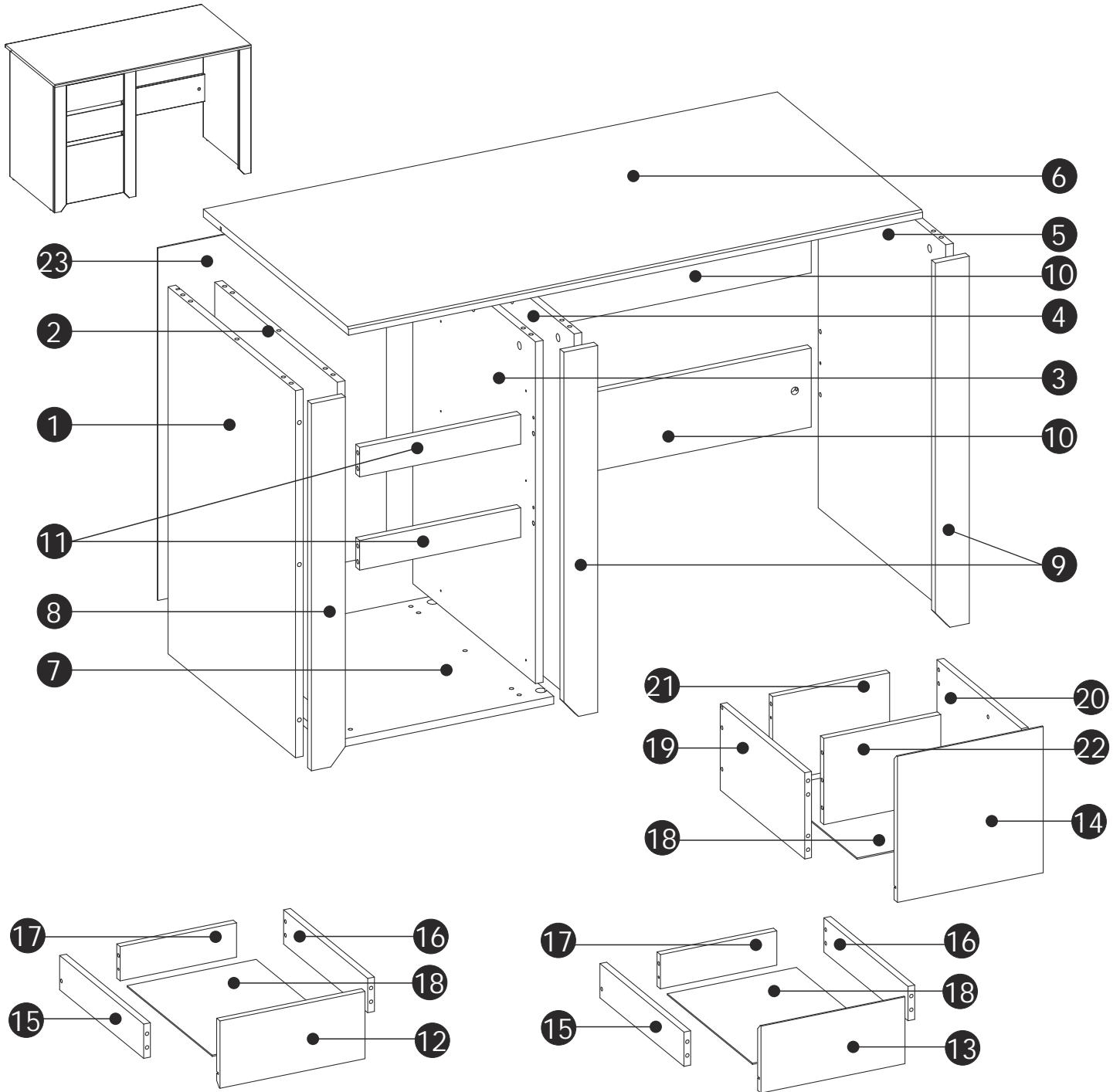
ANGEL 80



<p>(A1) x 46 o8 x 35 mm</p> 	<p>(C2) x12 5 x 13 mm</p> 	<p>(E0) x 42</p> 
<p>(E1) x 42 o15 x 12 mm</p> 	<p>(E2) x 4</p> 	<p>(F1) x42</p> 
<p>(F2) x 4</p> 	<p>(G0) x 14</p> 	<p>(G1) x14 f7 x 50 mm</p> 
<p>(J1) x 18 3 x 20mm</p> 	<p>(M) x 1</p> 	<p>(N1) x 20 3 x 16 mm</p> 
<p>(O2) x 6</p> 	<p>(P0) x 2 o5</p> 	<p>(P9) x 4 o8</p> 
<p>(R4) x8</p> 	<p>(R10) x 6</p> 	<p>(T4) x 3</p> 
<p>(Z) x 1</p> 		



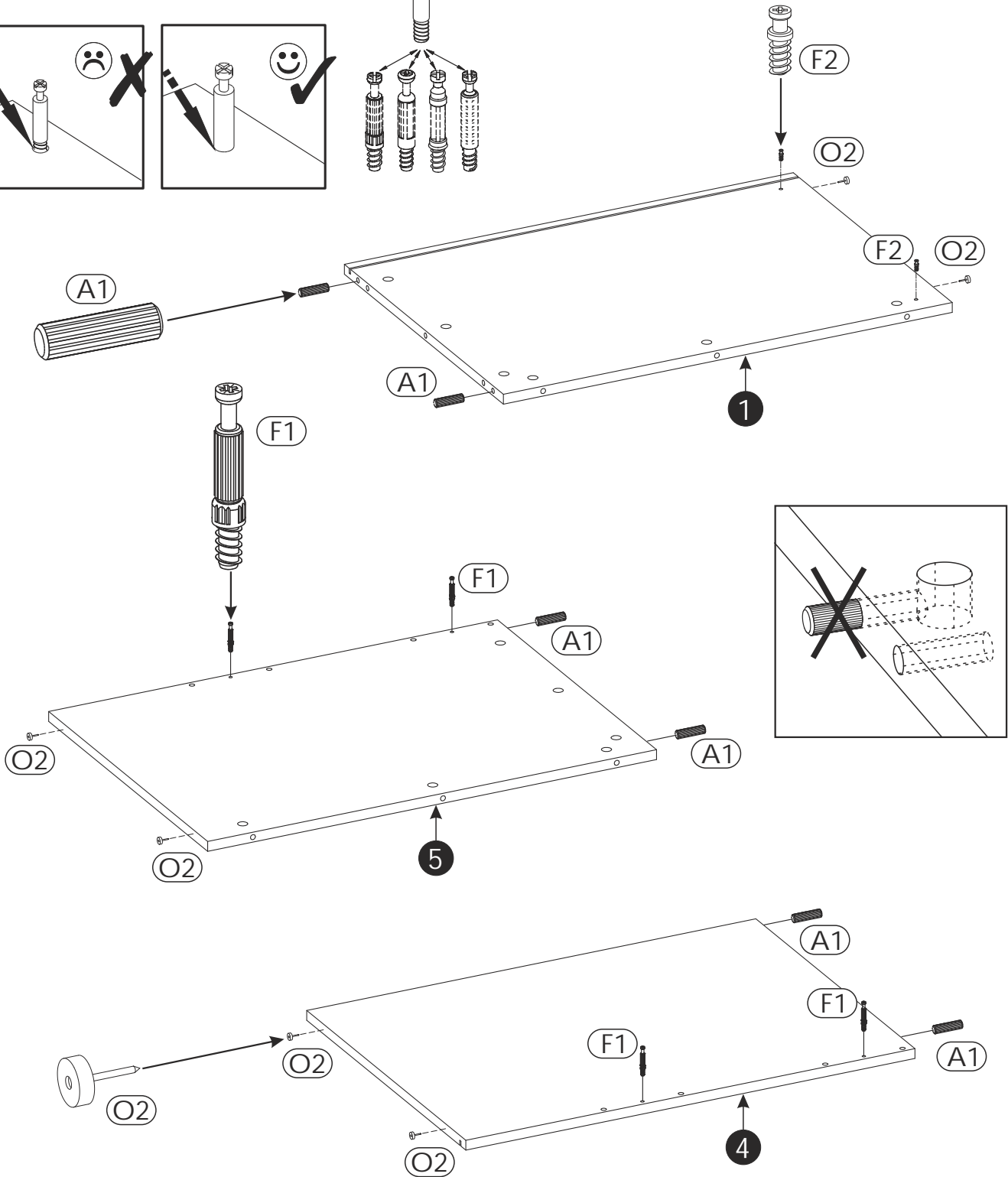
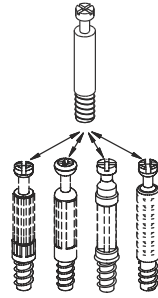
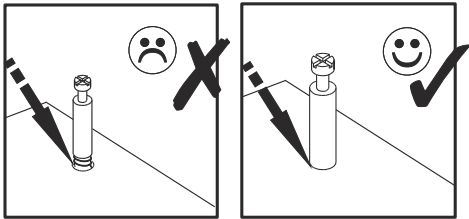
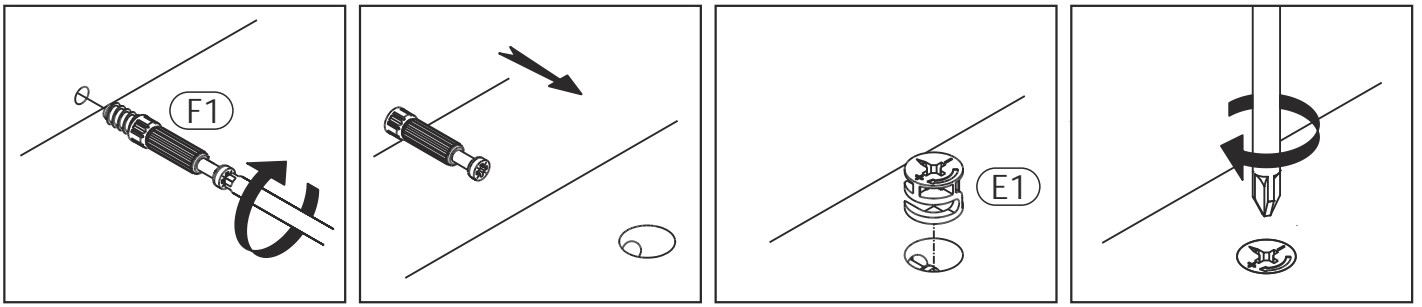
ANGEL 80



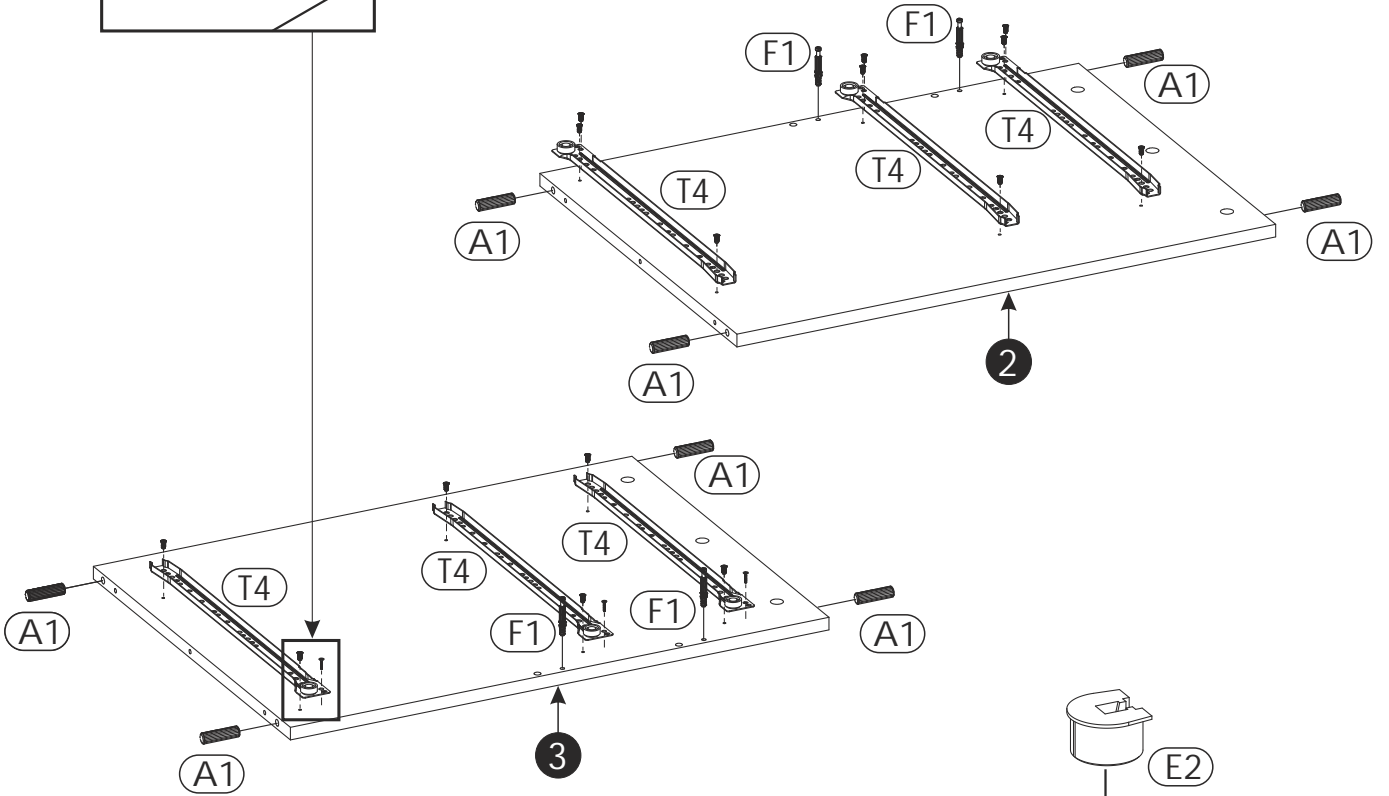
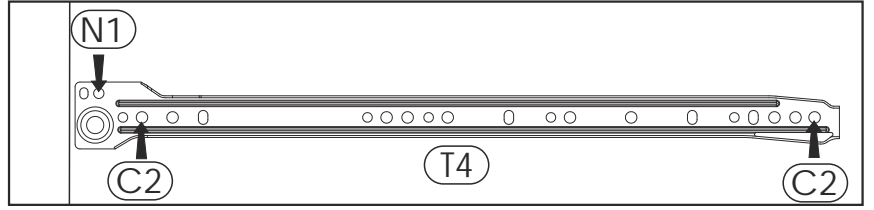
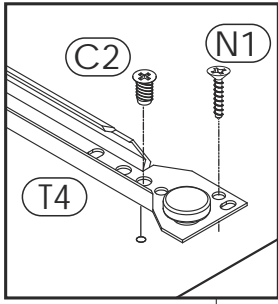
1	744	529	16	x1	1/2
2	693	509	16	x1	2/2
3	693	509	16	x1	2/2
4	744	529	16	x1	1/2
5	744	529	16	x1	1/2
6	1187	600	16	x1	2/2
7	509	458	16	x1	2/2
8	744	70	16	x1	1/2

9	744	70	16	x2	1/2
10	680	160	16	x2	1/2
11	333	60	16	x2	2/2
12	345	157	16	x1	1/2
13	345	157	16	x1	1/2
14	345	339	16	x1	1/2
15	400	80	16	x2	2/2
16	400	80	16	x2	2/2

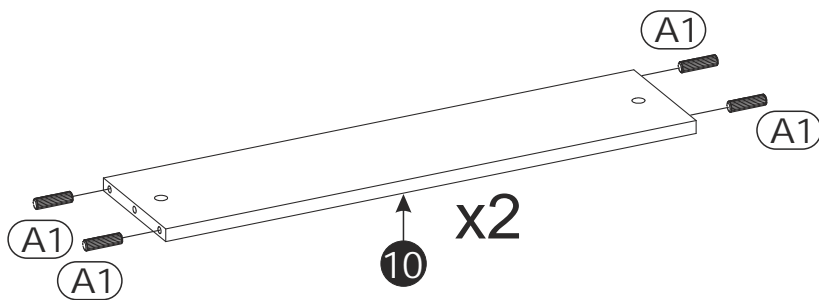
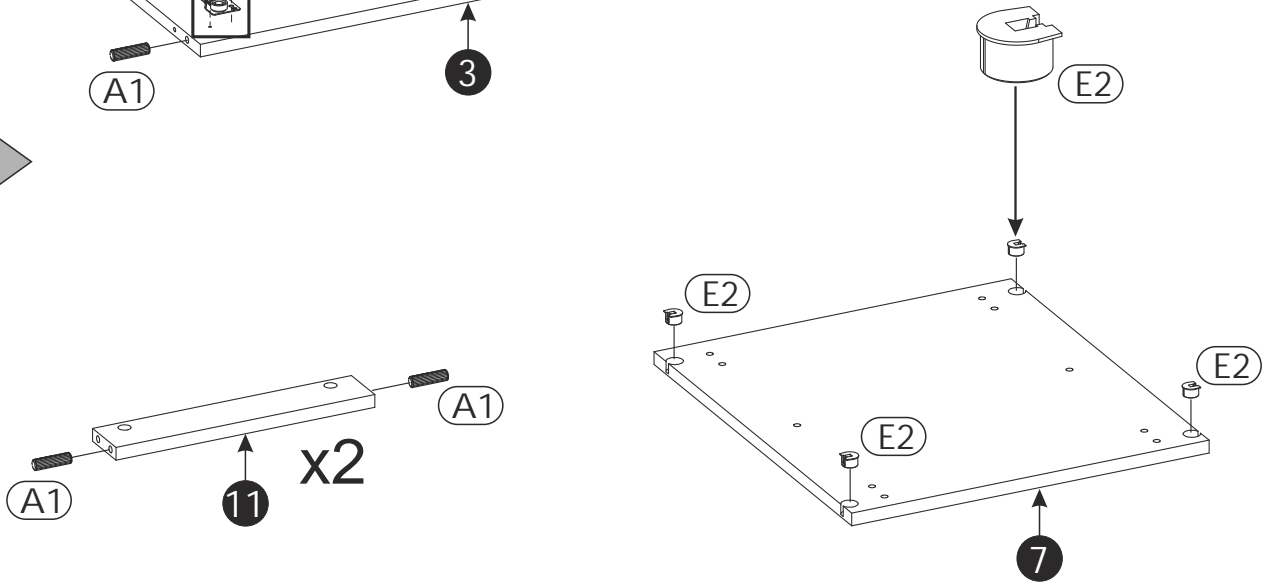
17	277	80	16	x2	2/2
18	405	307	3	x3	1/2
19	400	200	16	x1	2/2
20	400	200	16	x1	2/2
21	277	200	16	x1	1/2
22	277	200	16	x1	1/2
23	714	472	3	x1	1/2



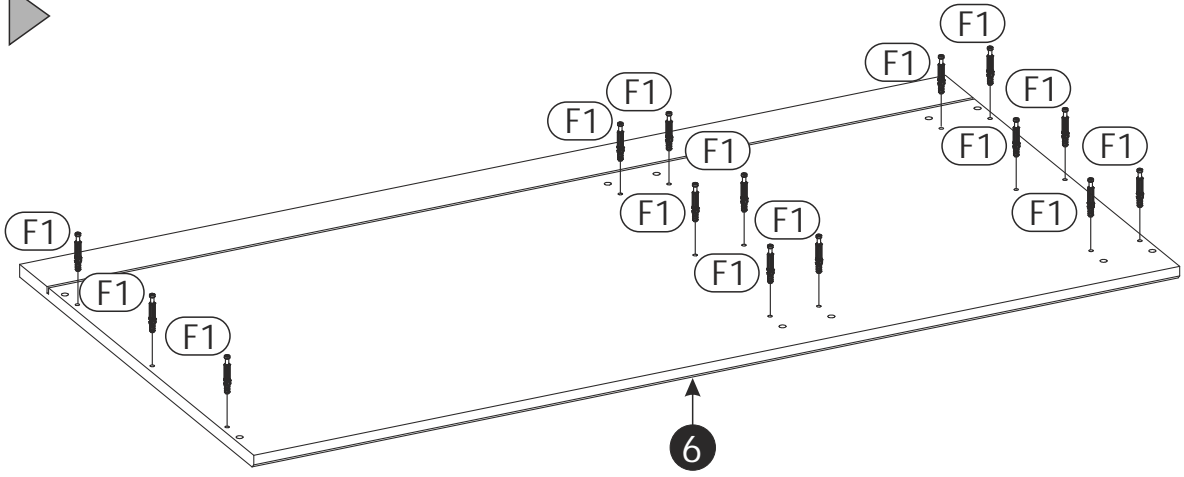
2 ▶



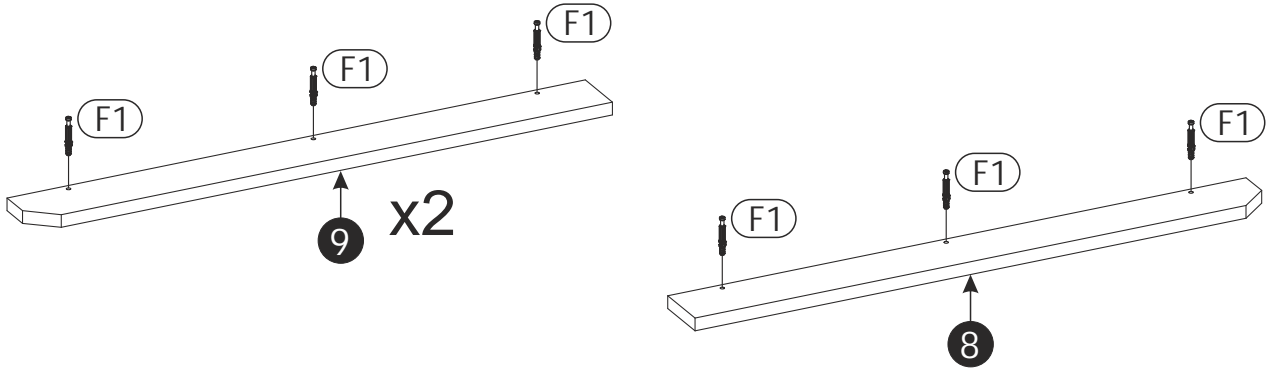
3 ▶



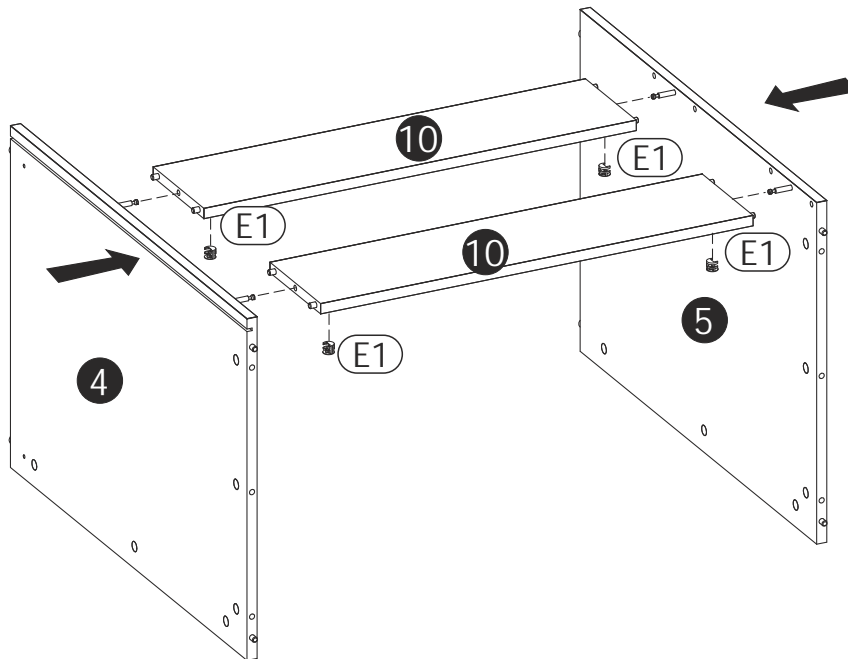
4 ▶



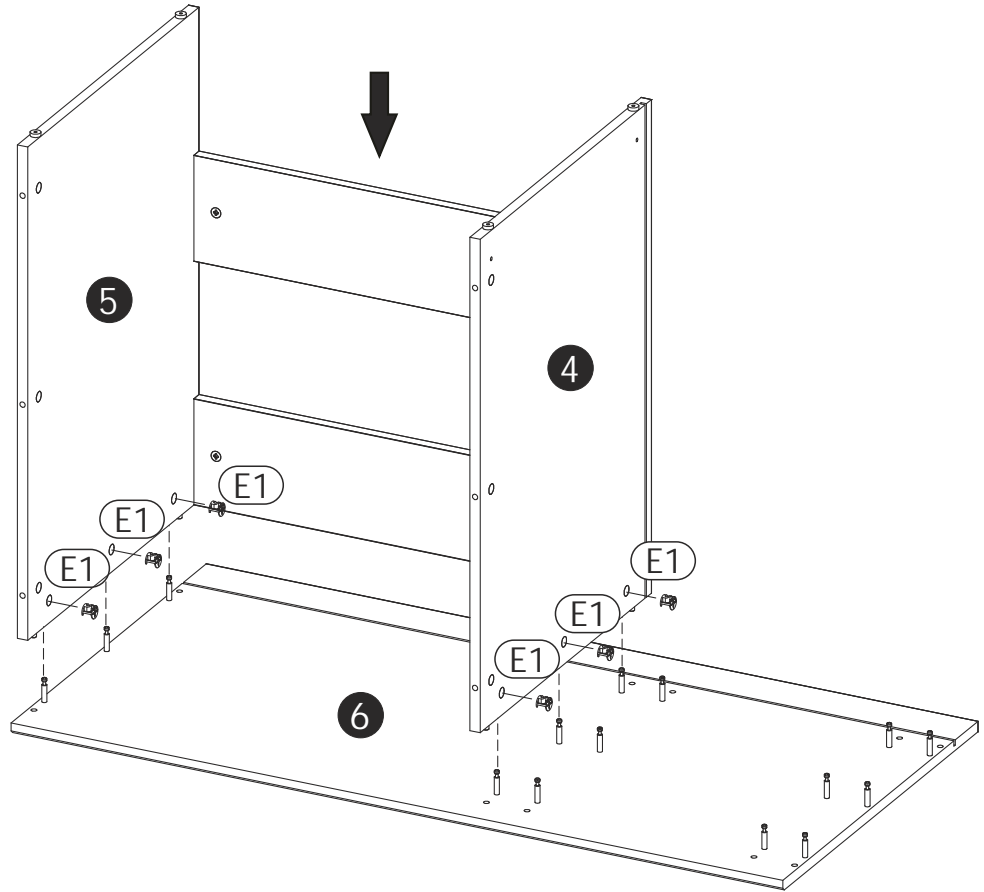
5 ▶



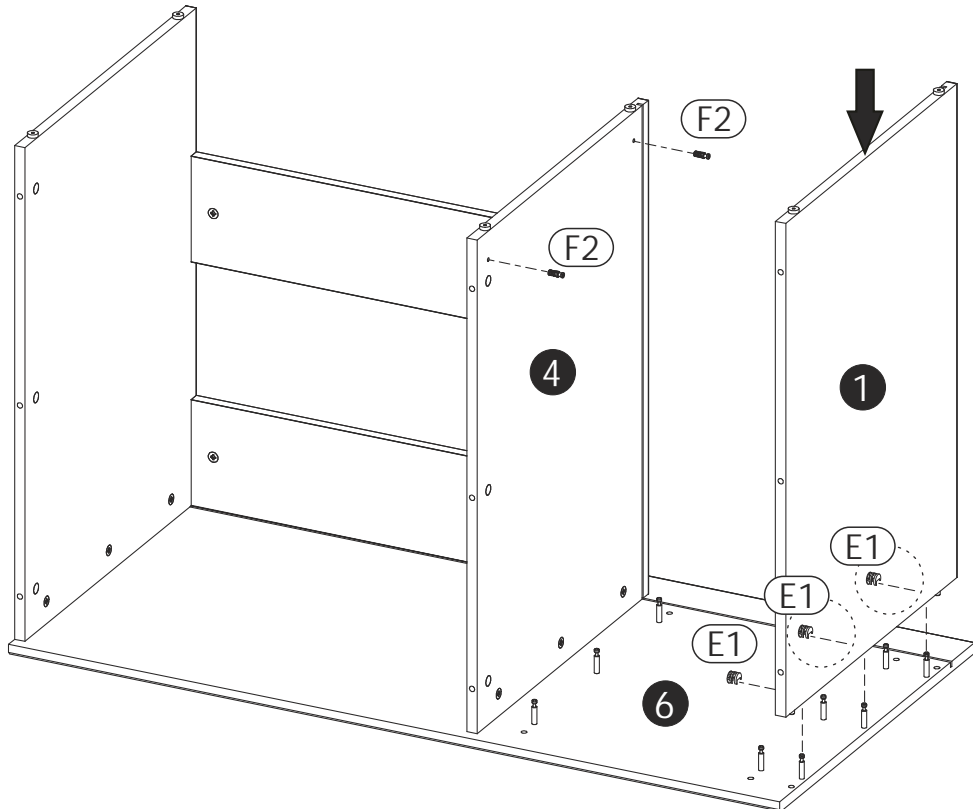
6 ▶



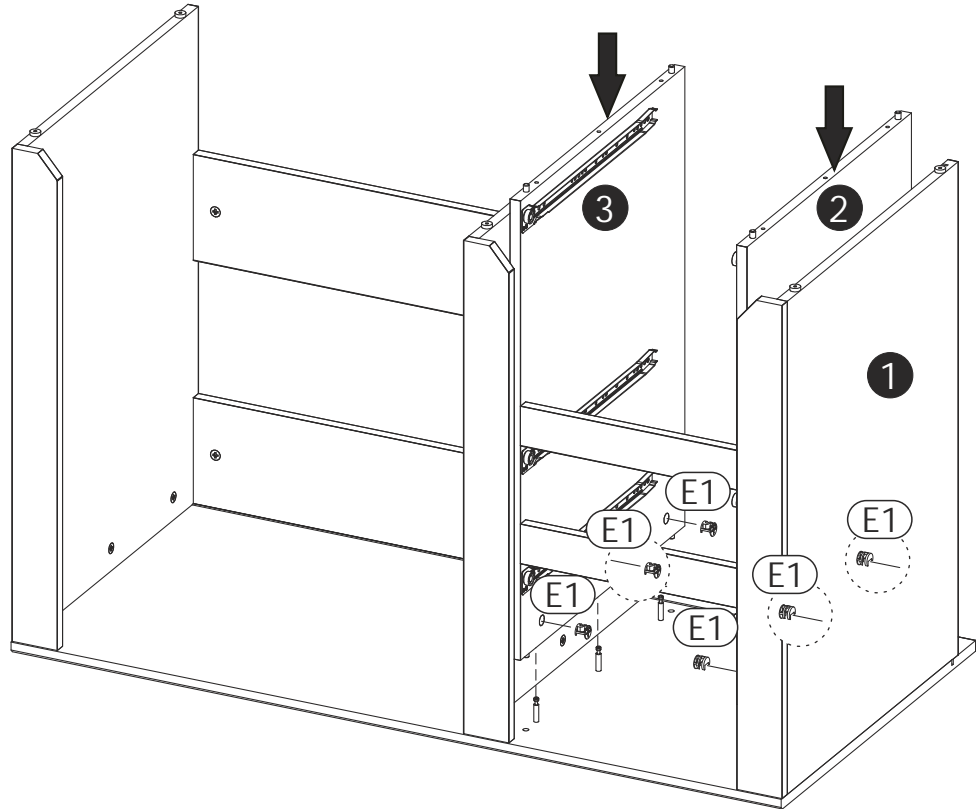
7 ▶



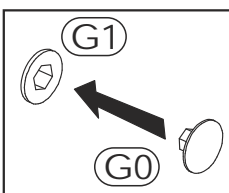
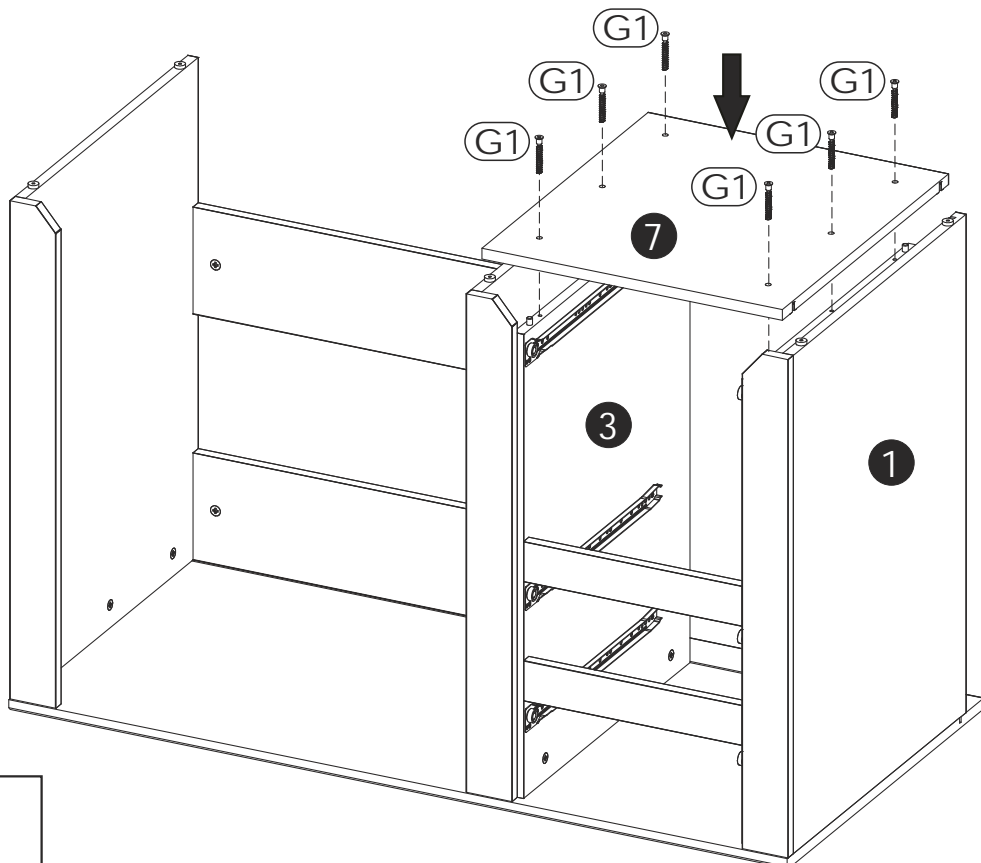
8 ▶



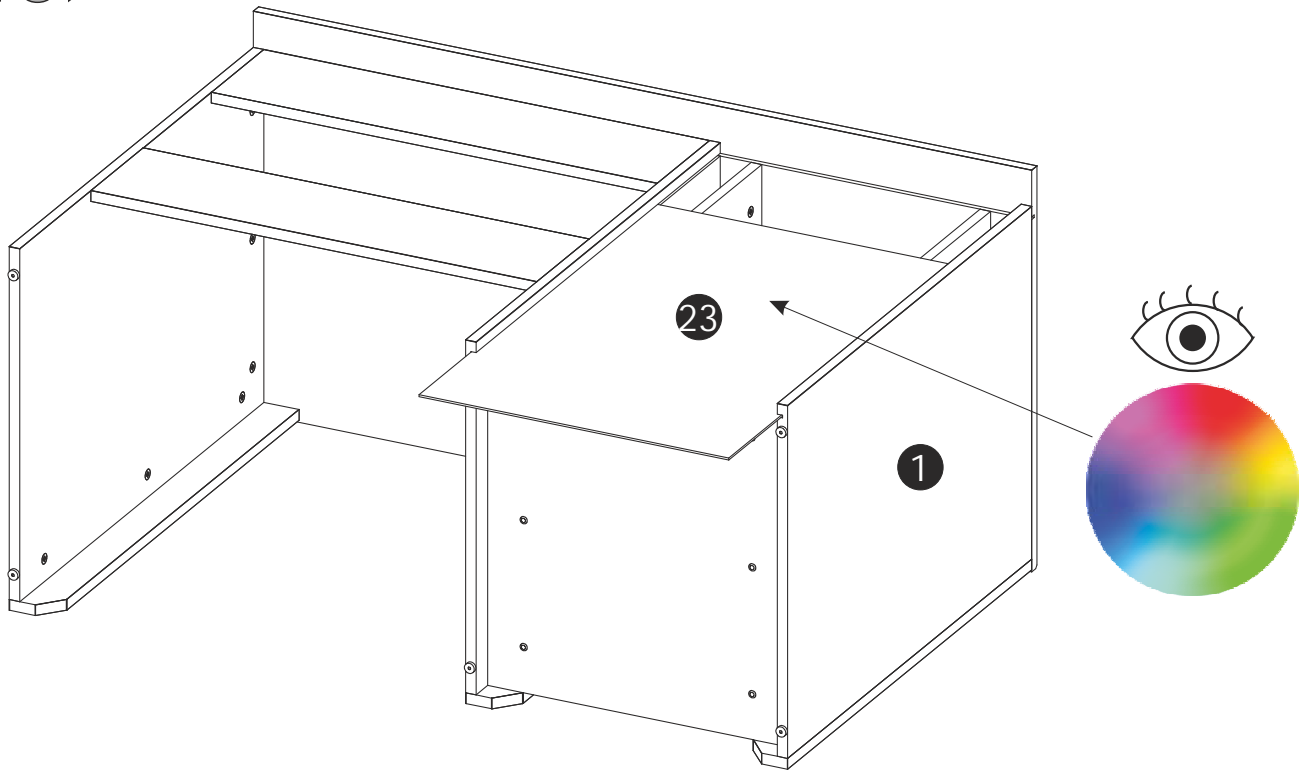
11 ▶



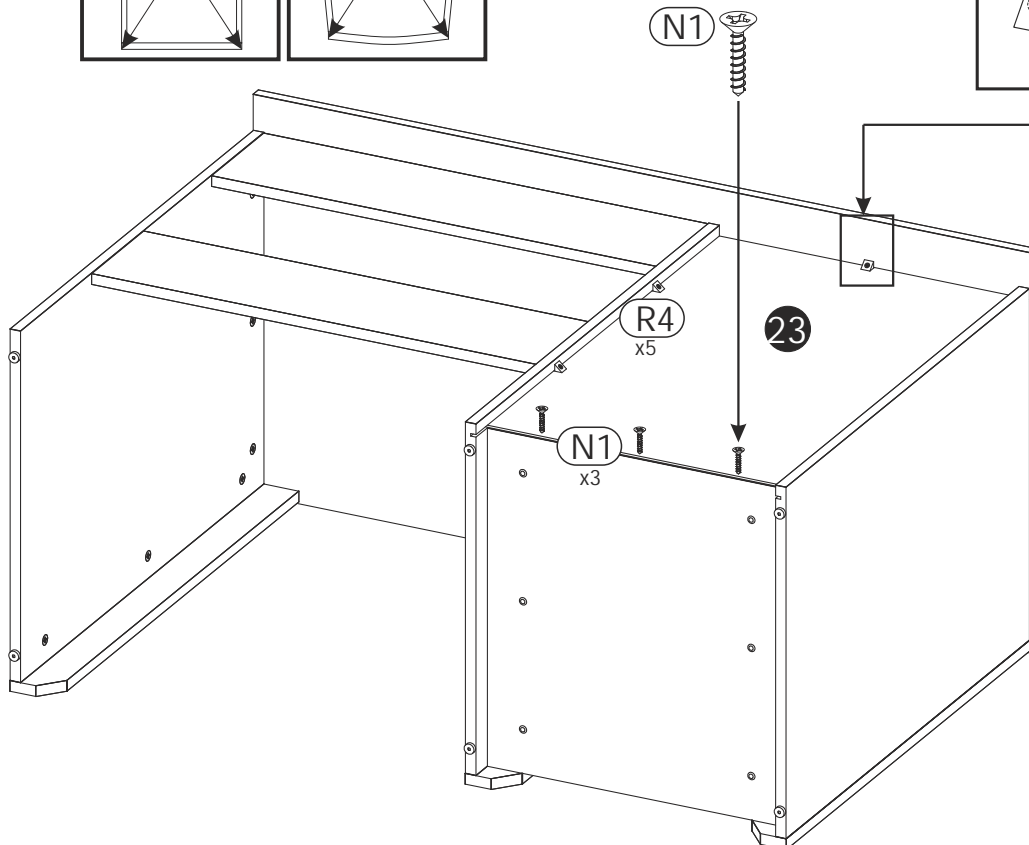
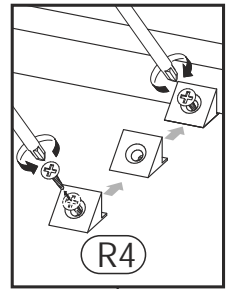
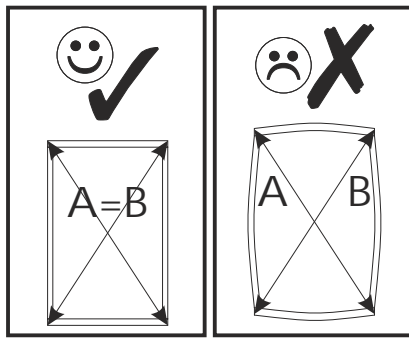
12 ▶



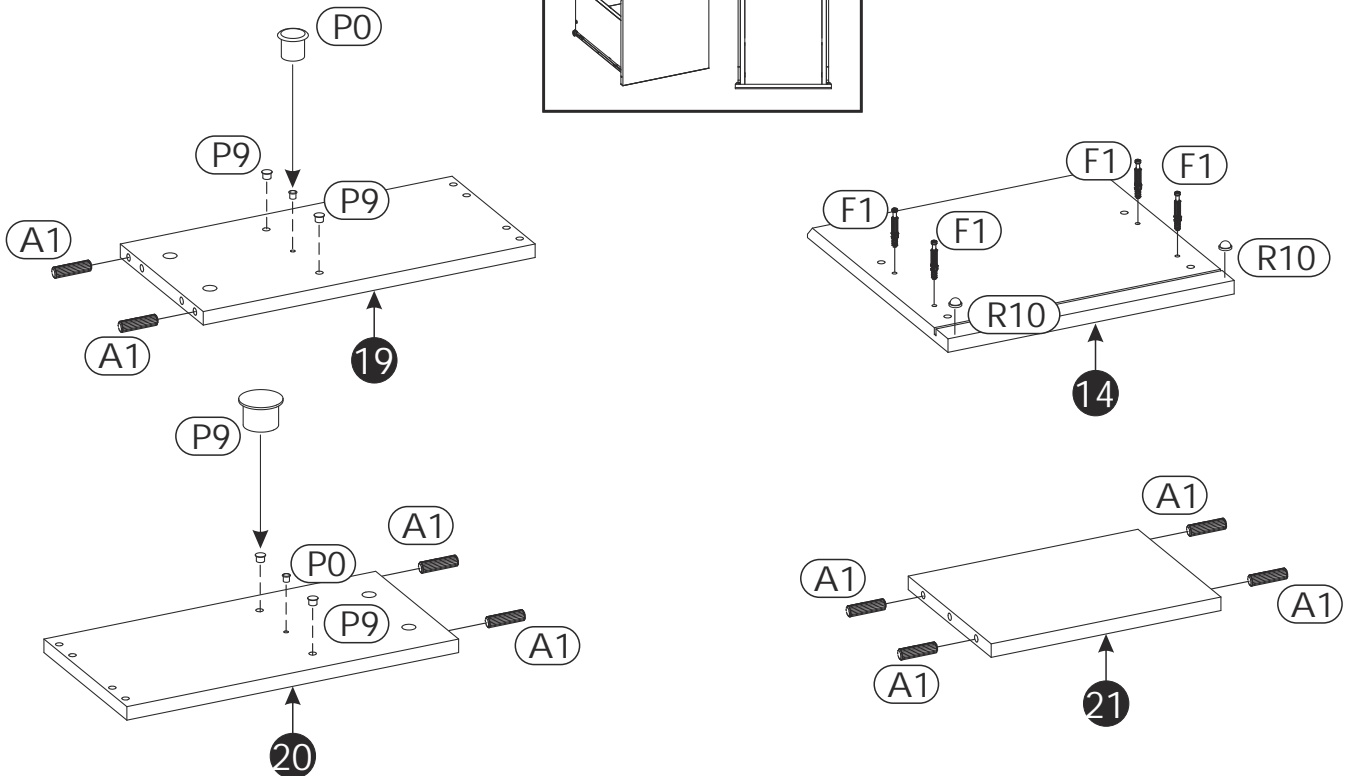
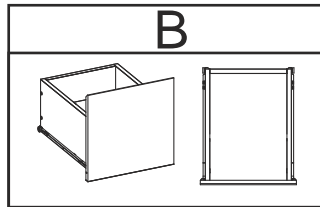
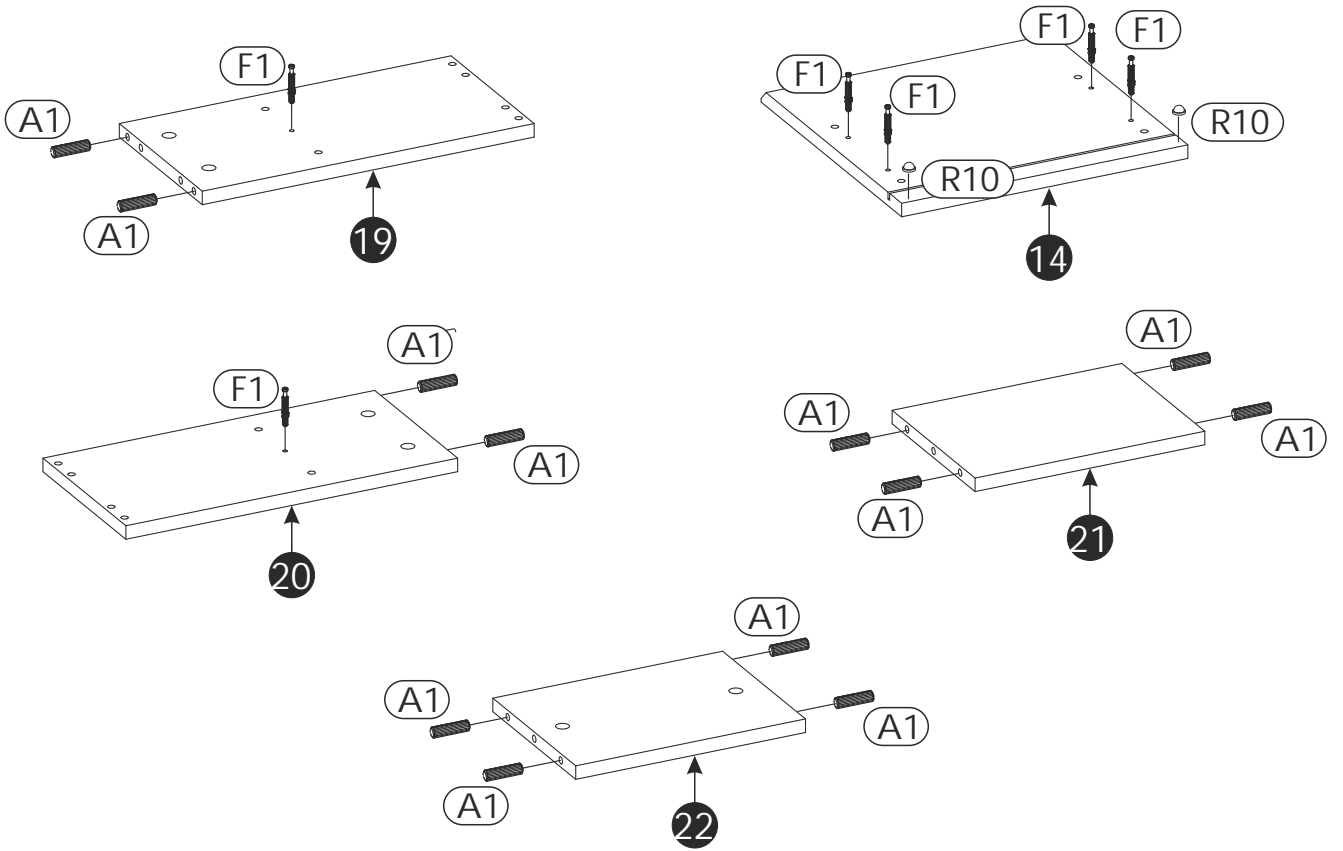
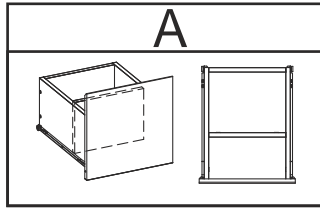
13 ▶



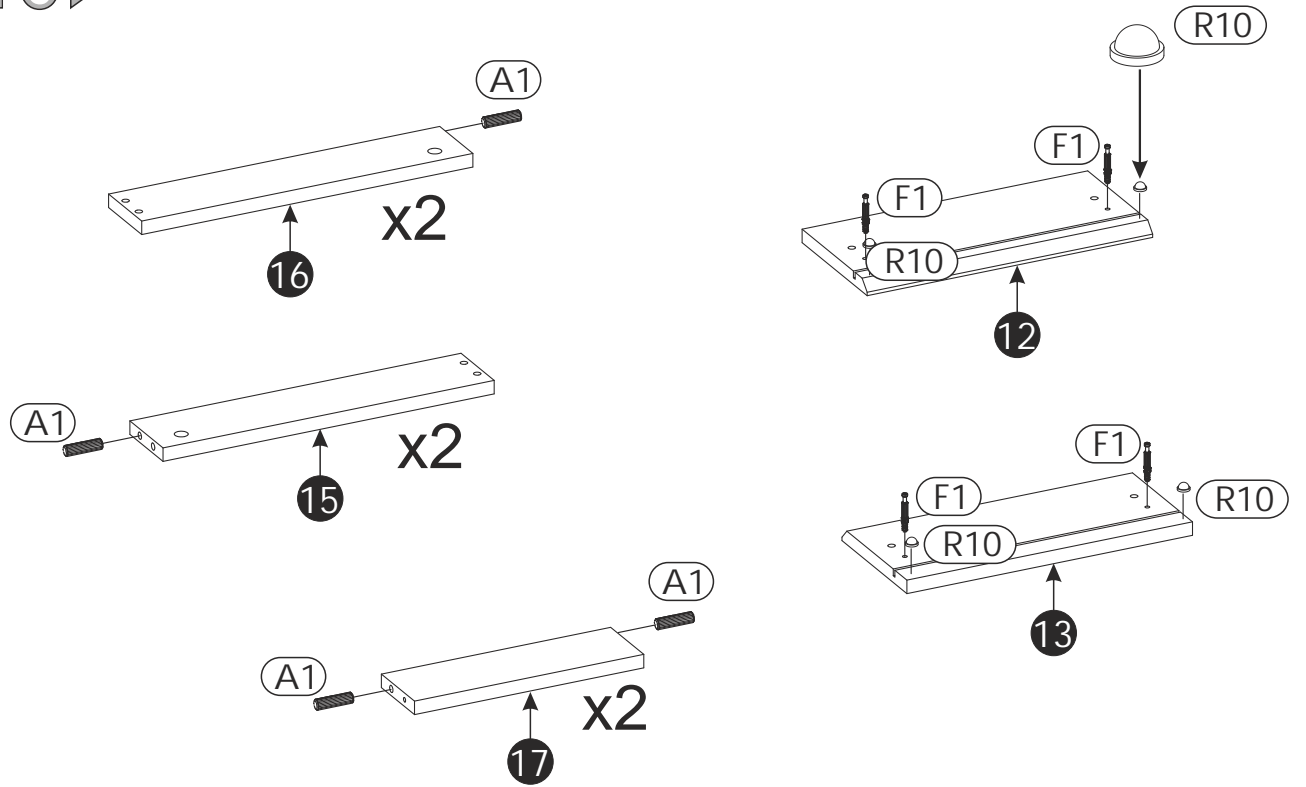
14 ▶



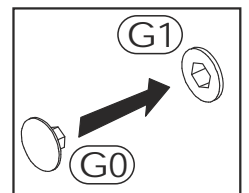
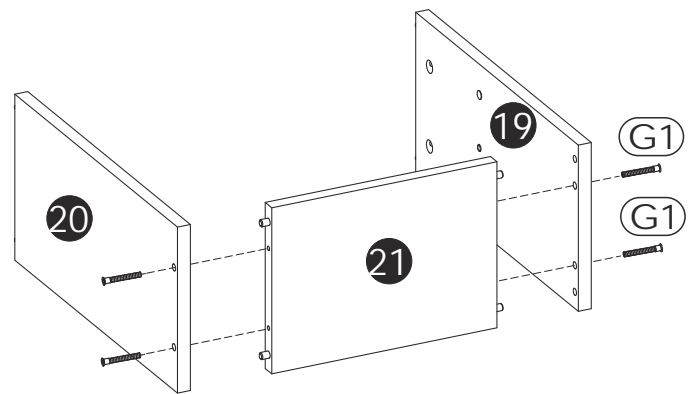
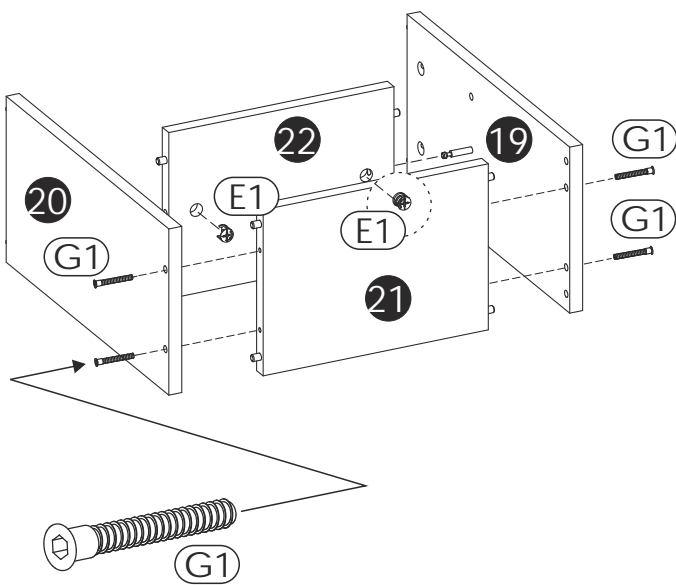
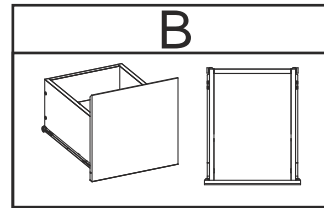
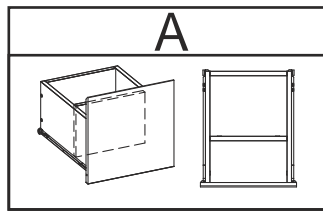
15 ▶



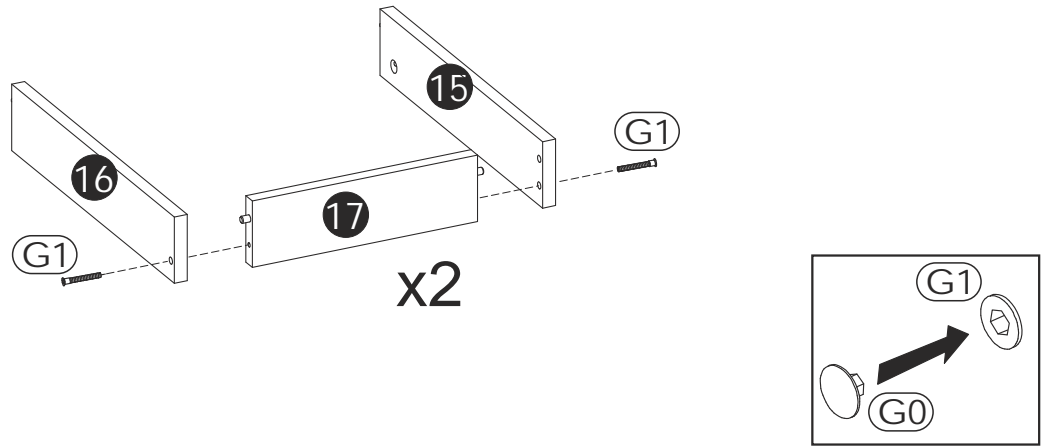
16 ▶



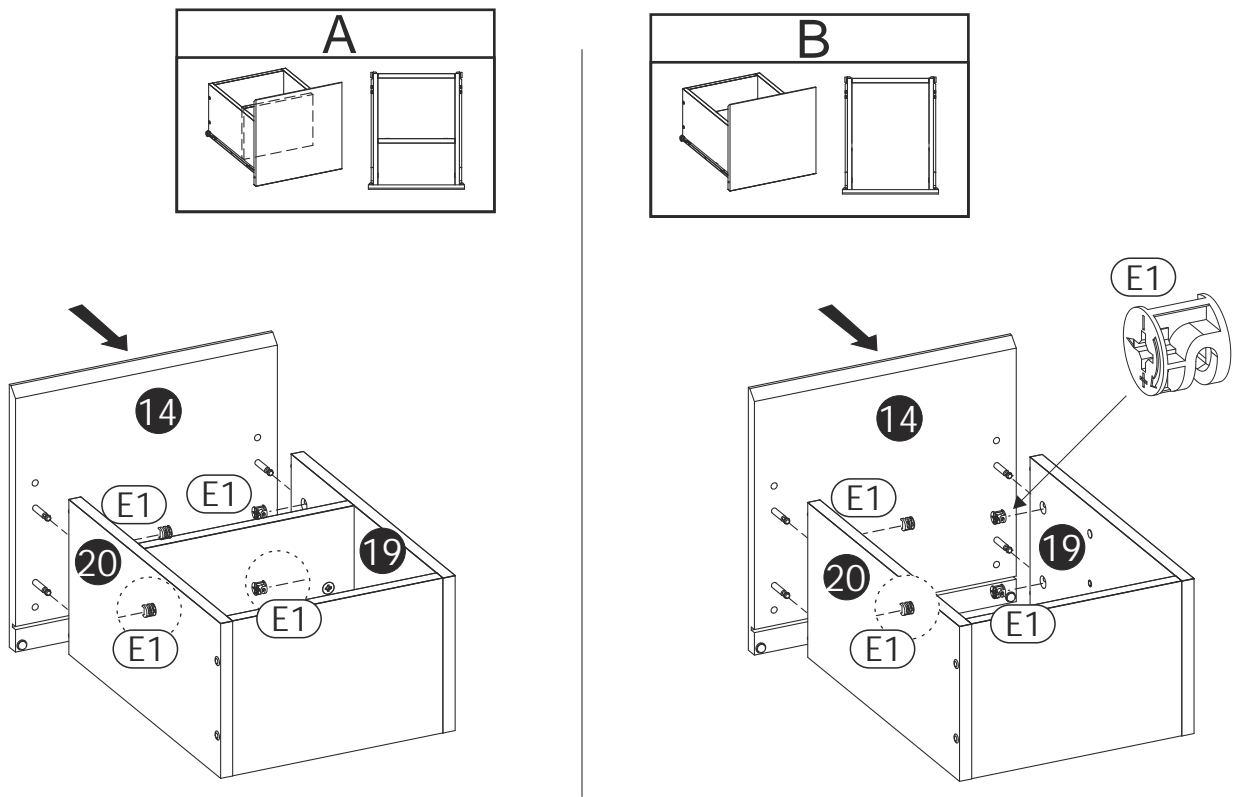
17 ▶



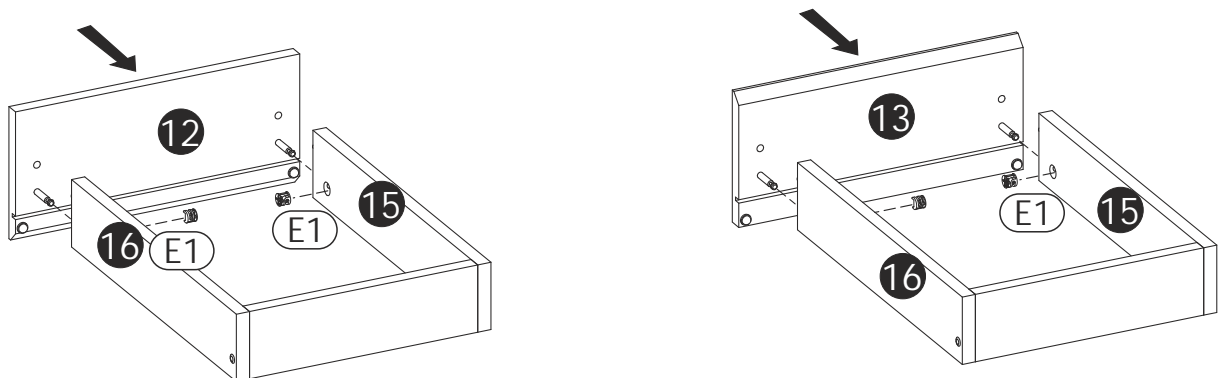
18▶



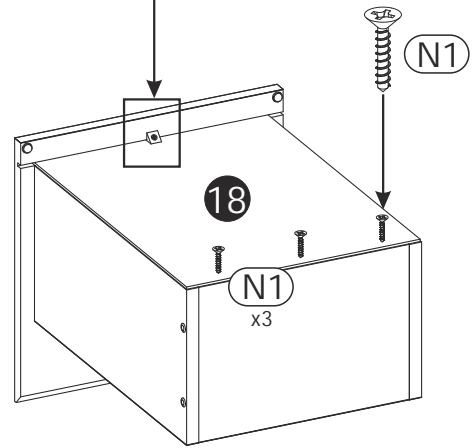
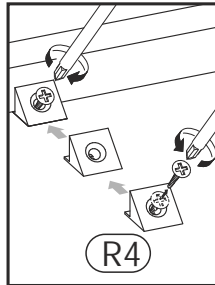
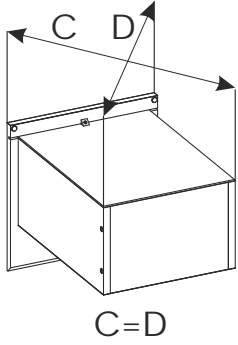
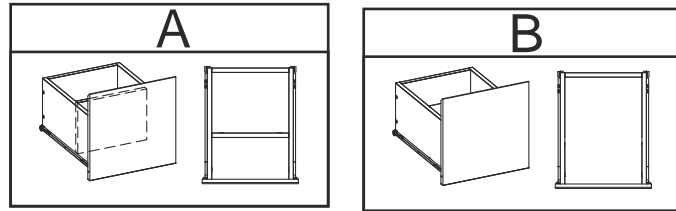
19▶



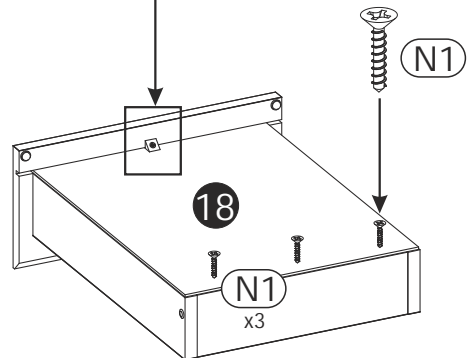
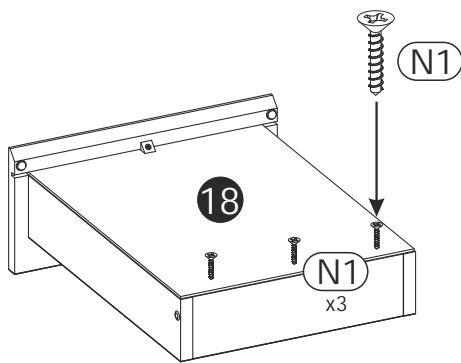
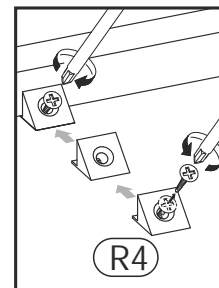
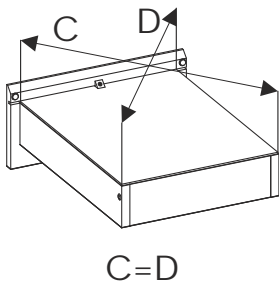
20▶



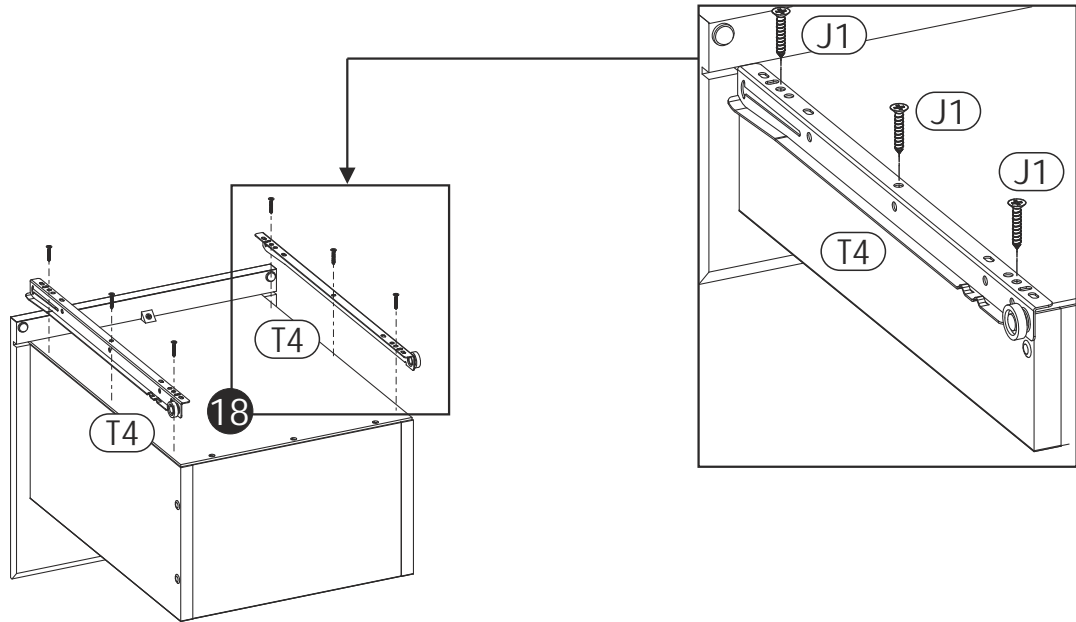
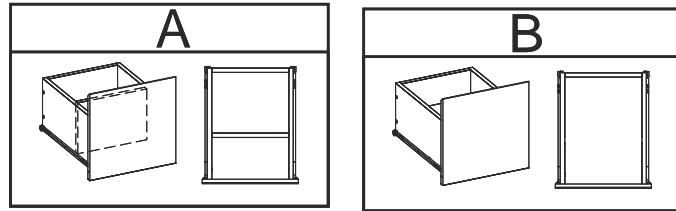
21 ▶



22 ▶



23 ▶



24 ▶

