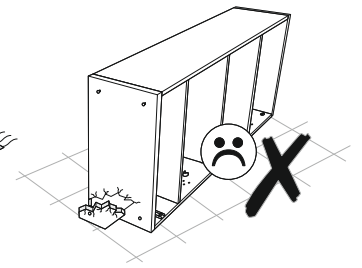
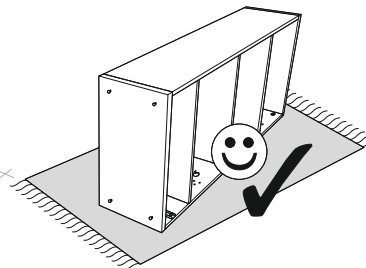
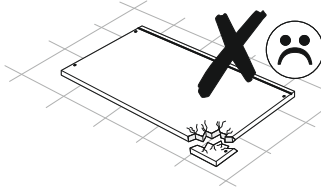
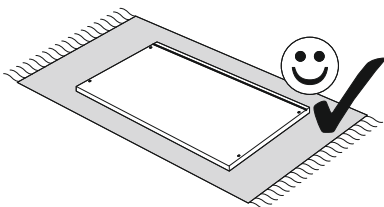
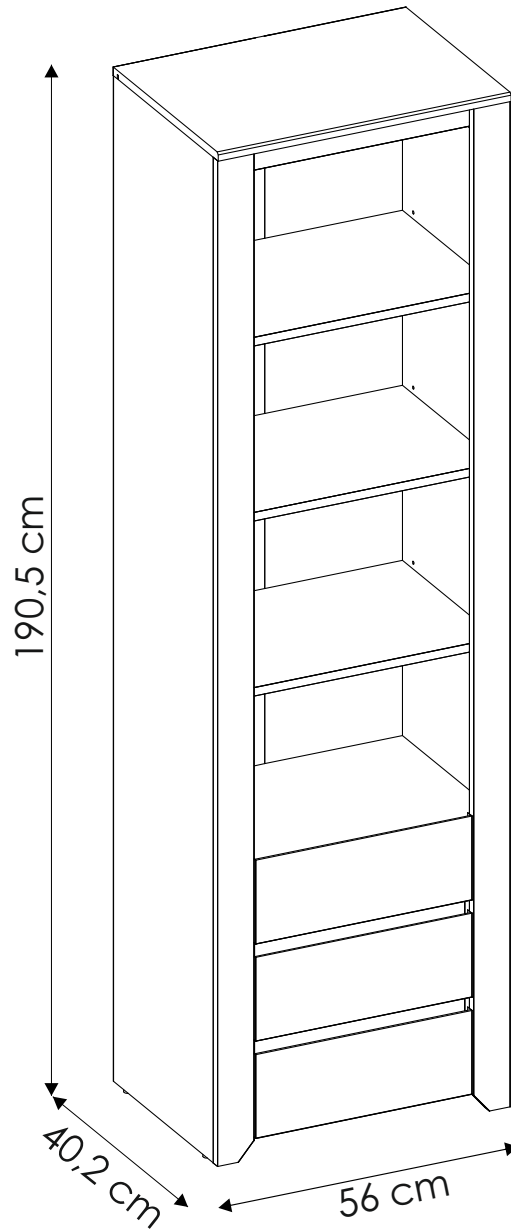
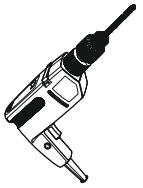
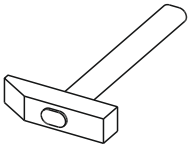
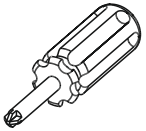
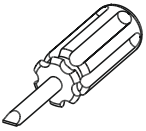
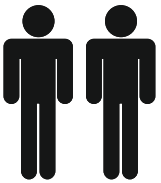
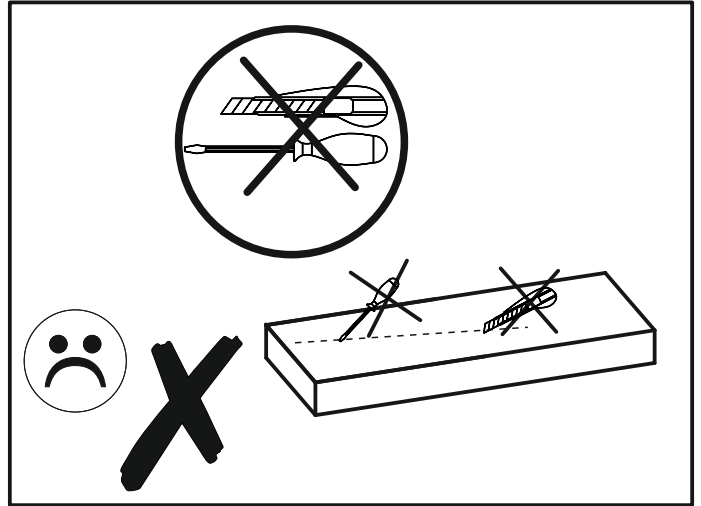
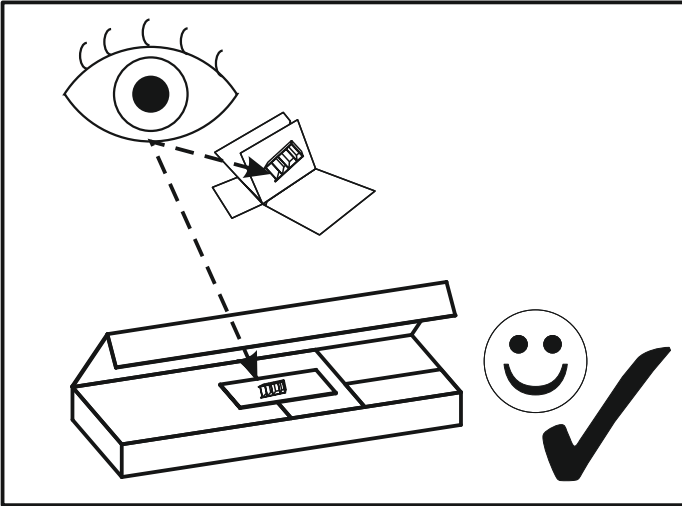
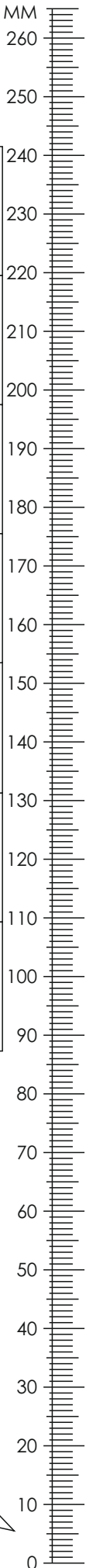




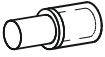
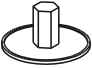

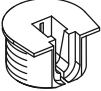

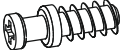





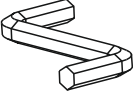

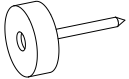



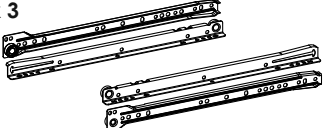
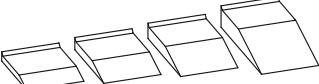
# ANGEL 11

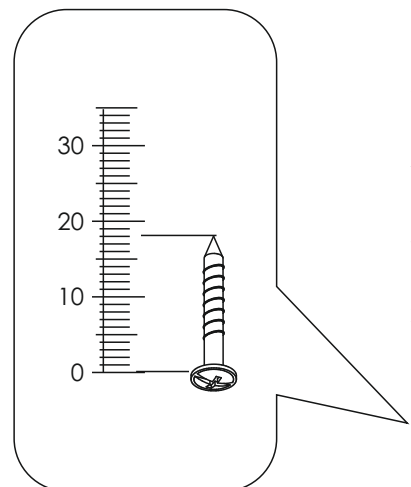




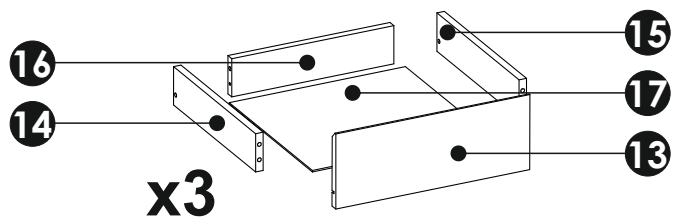
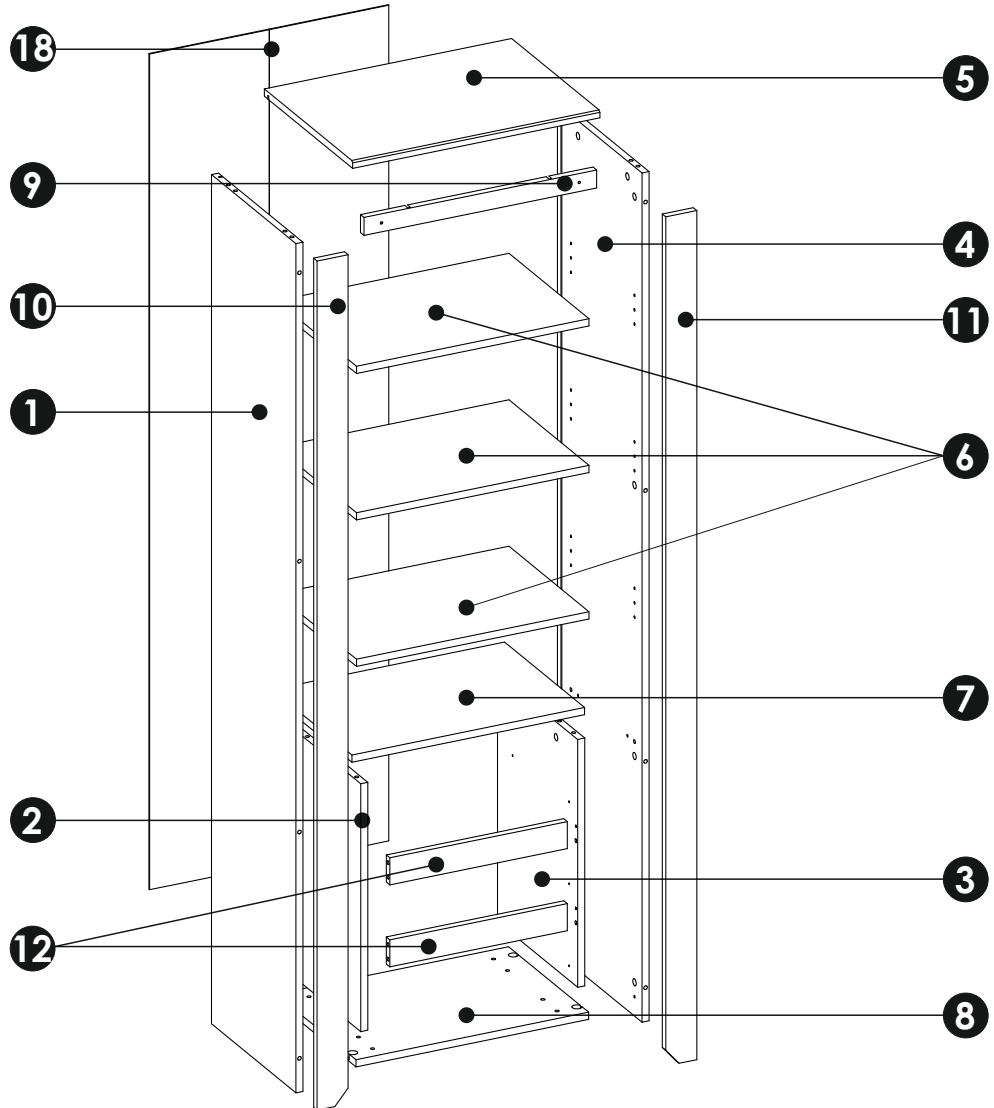
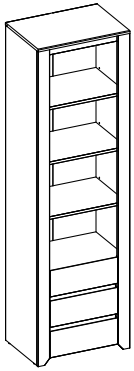
# ANGEL 11



<p><b>A1</b> x 32 <math>\varnothing</math>8 x 35 mm</p> 	<p><b>C2</b> x12 5 x 13 mm</p> 	<p><b>D2</b> x 12</p> 
<p><b>E0</b> x 30</p> 	<p><b>E1</b> x 30 <math>\varnothing</math>15 x 12 mm</p> 	<p><b>E2</b> x 6</p> 
<p><b>F1</b> x30</p> 	<p><b>F2</b> x 6</p> 	<p><b>G0</b> x 10</p> 
<p><b>G1</b> x10 <math>\varnothing</math>7 x 50 mm</p> 	<p><b>I2</b> x 1 4 x 16 mm</p> 	<p><b>I5</b> x 2 3,5 x 30mm</p> 
<p><b>J1</b> x 18 3 x 20mm</p> 	<p><b>M</b> x 1</p> 	<p><b>N1</b> x 30 3 x 16 mm</p> 
<p><b>O2</b> x 4</p> 	<p><b>Q9</b> x1</p> 	<p><b>R4</b> x17</p> 
<p><b>R10</b> x 6</p> 	<p><b>T3</b> x 3</p> 	<p><b>Z</b> x 1</p> 



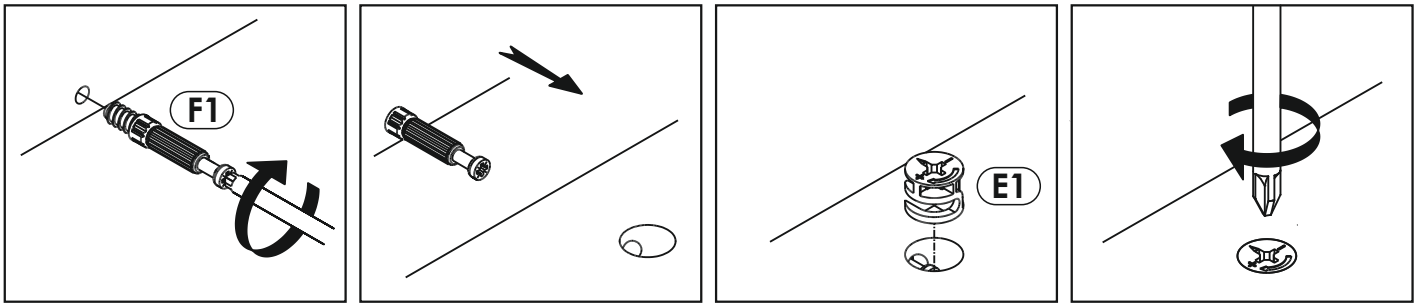
# ANGEL 11



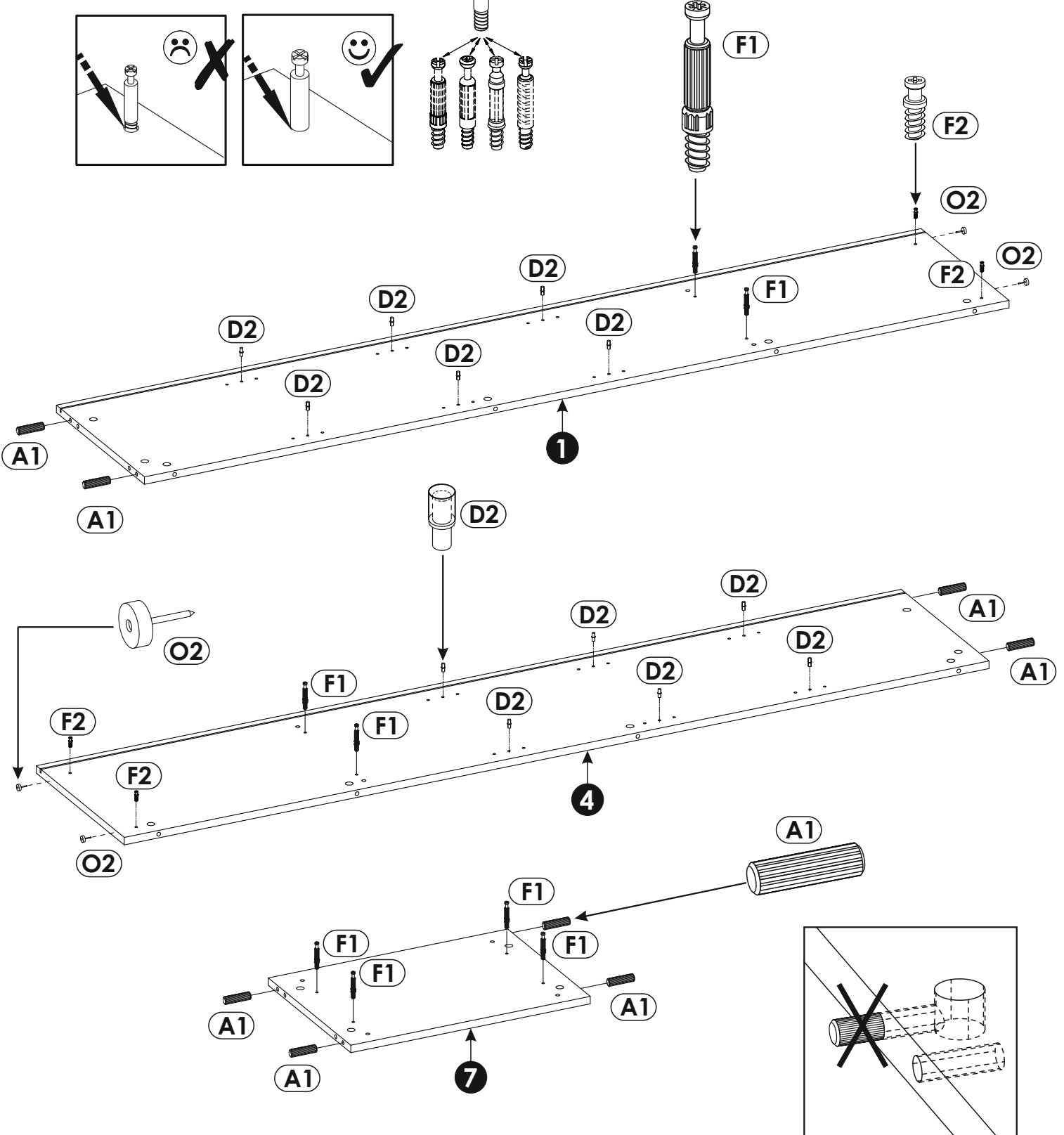
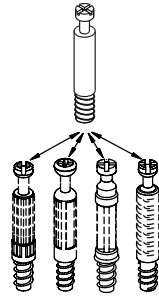
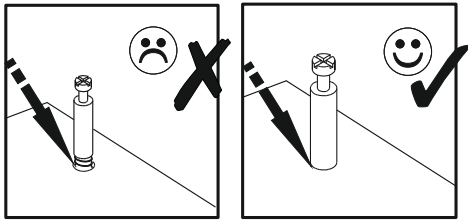
<b>1</b>	1884	383	16	x1	2/2
<b>2</b>	480	363	16	x1	1/2
<b>3</b>	480	363	16	x1	1/2
<b>4</b>	1884	383	16	x1	2/2
<b>5</b>	560	402	16	x1	1/2
<b>6</b>	527	363	16	x3	1/2

<b>7</b>	527	363	16	x1	1/2
<b>8</b>	527	363	16	x1	1/2
<b>9</b>	527	40	16	x1	1/2
<b>10</b>	1884	70	16	x1	2/2
<b>11</b>	1884	70	16	x1	2/2
<b>12</b>	402	60	16	x2	1/2

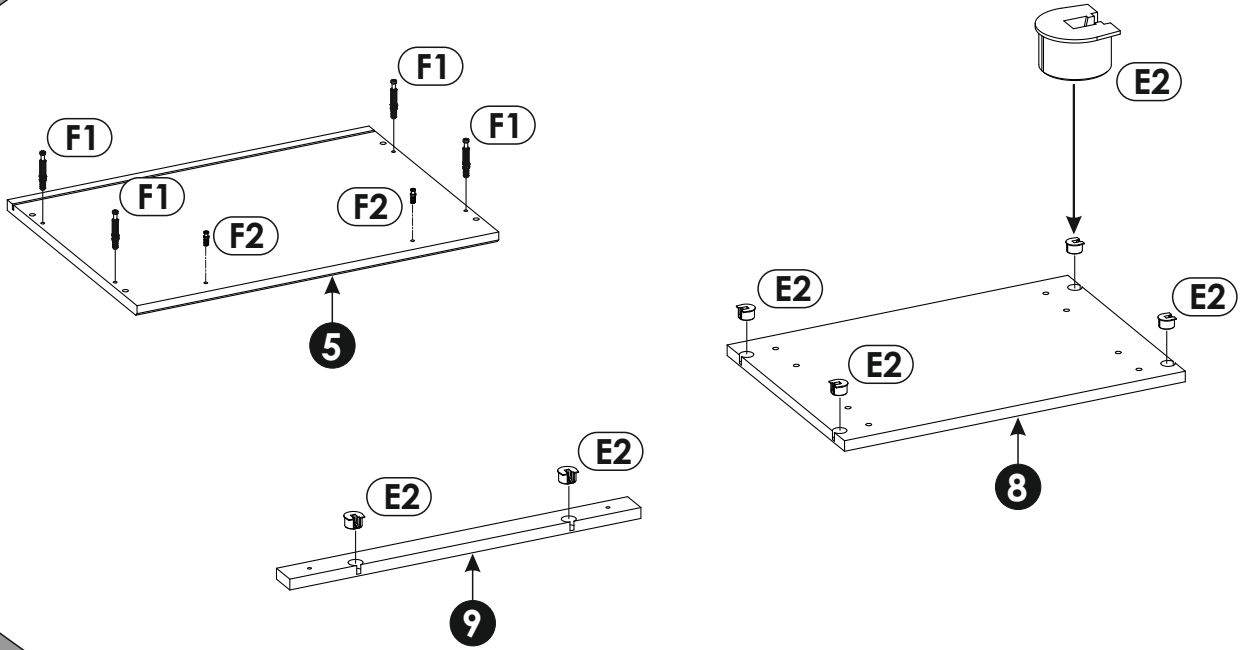
<b>13</b>	414	157	16	x3	2/2
<b>14</b>	350	80	16	x3	2/2
<b>15</b>	350	80	16	x3	2/2
<b>16</b>	346	80	16	x3	2/2
<b>17</b>	376	355	3	x3	1/2
<b>18</b>	1854	542	3	x1	2/2



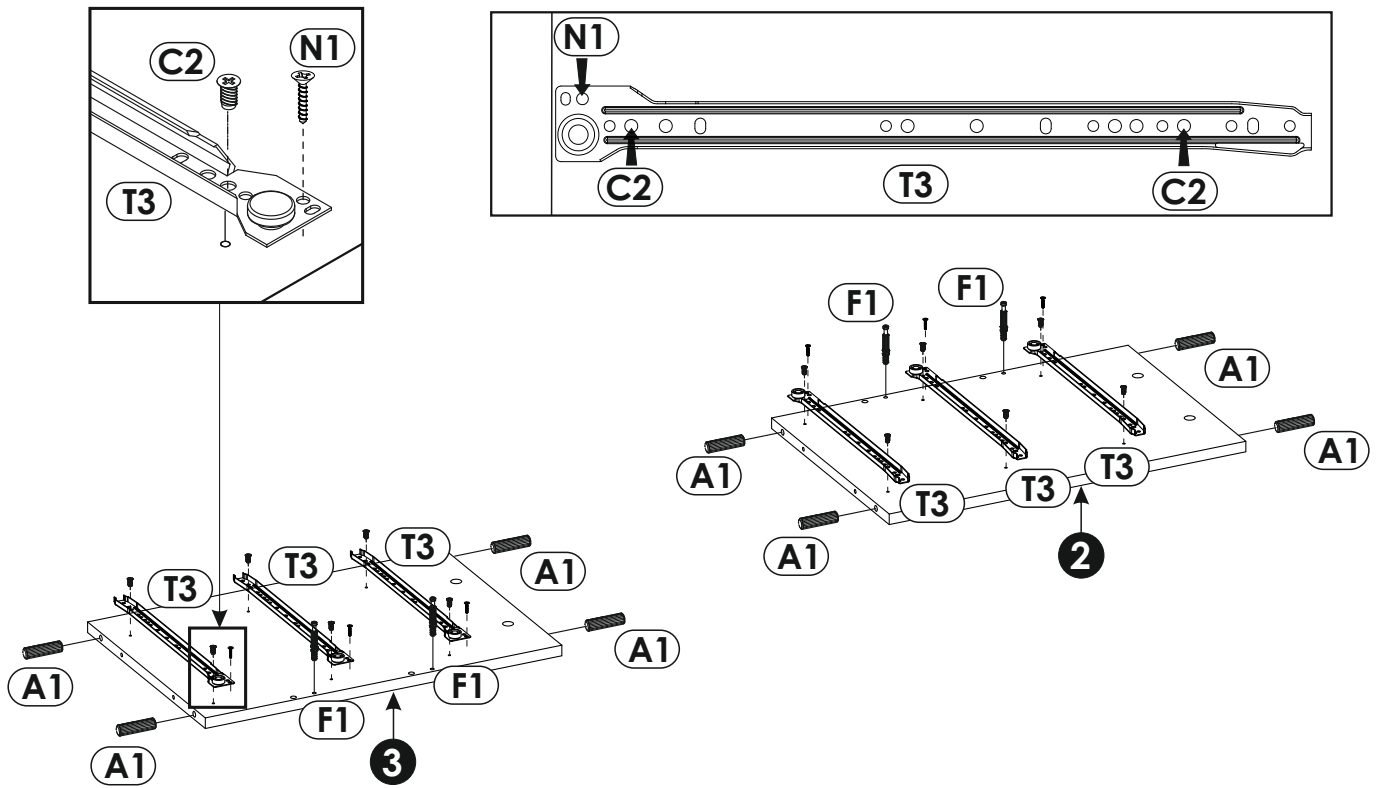
1 ▶



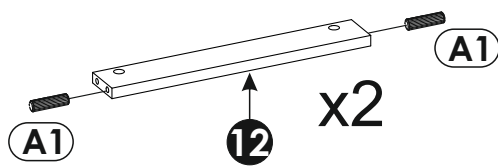
2 ▶



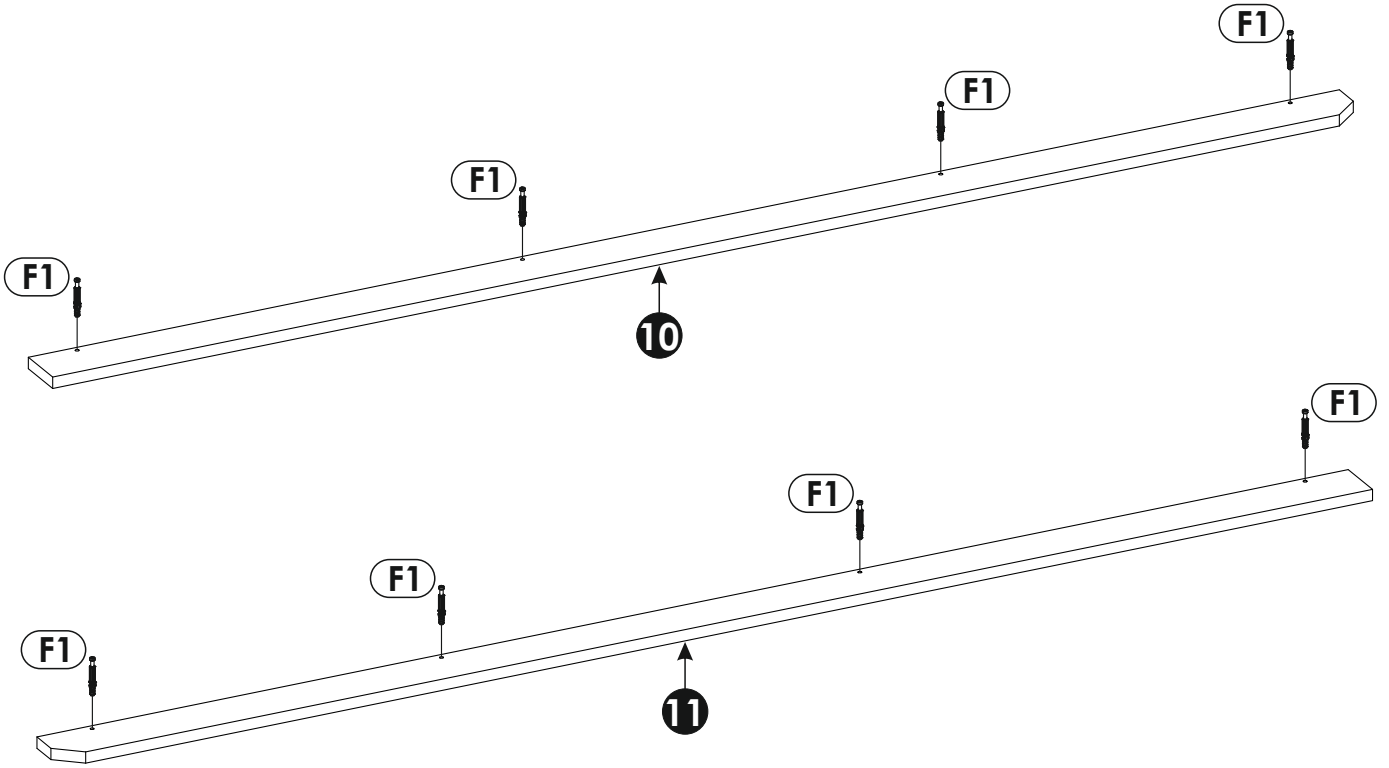
3 ▶



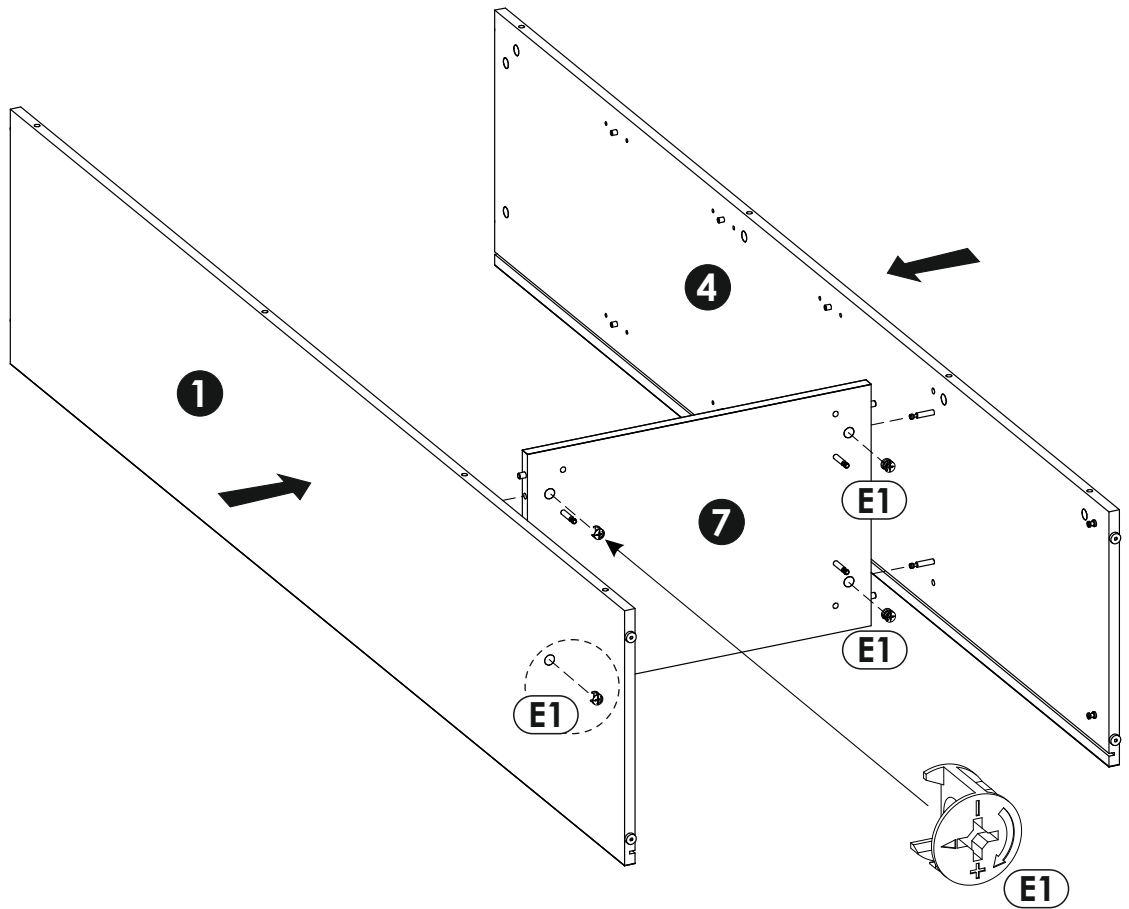
4 ▶



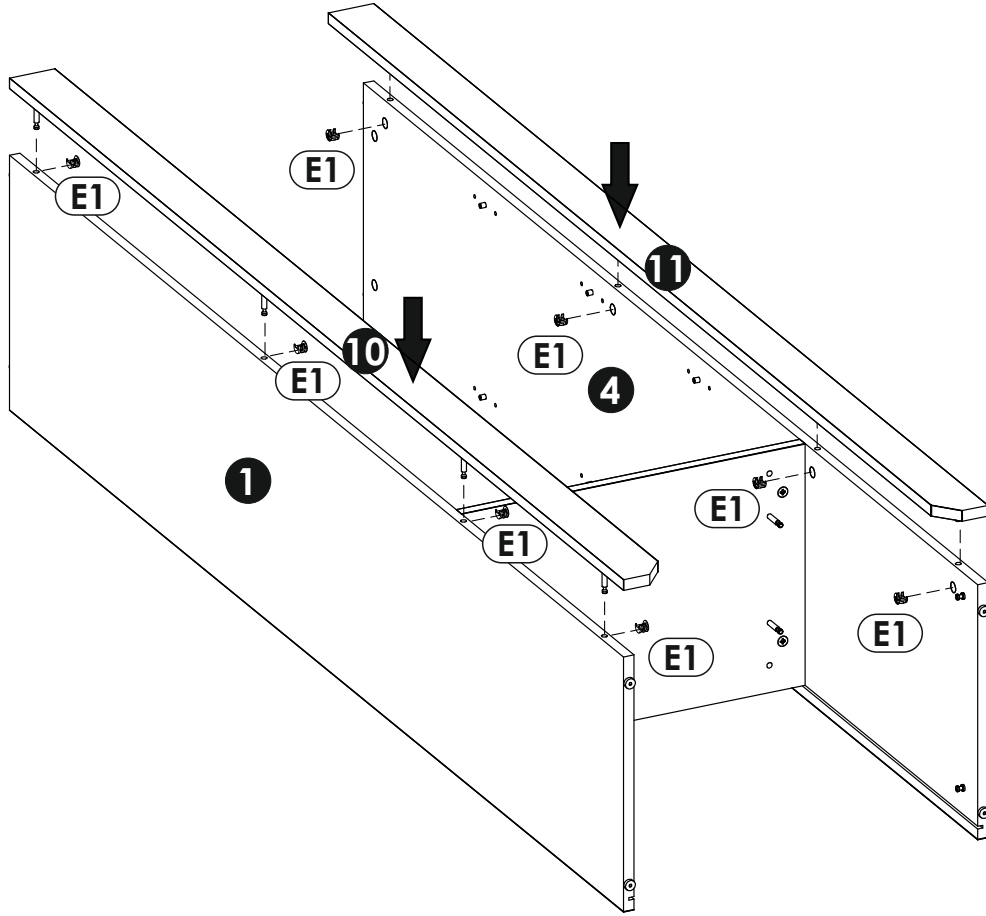
5 ▶



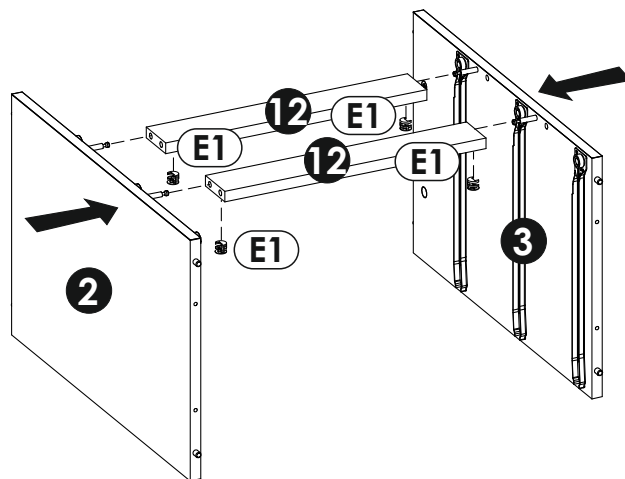
6 ▶



7 ▶

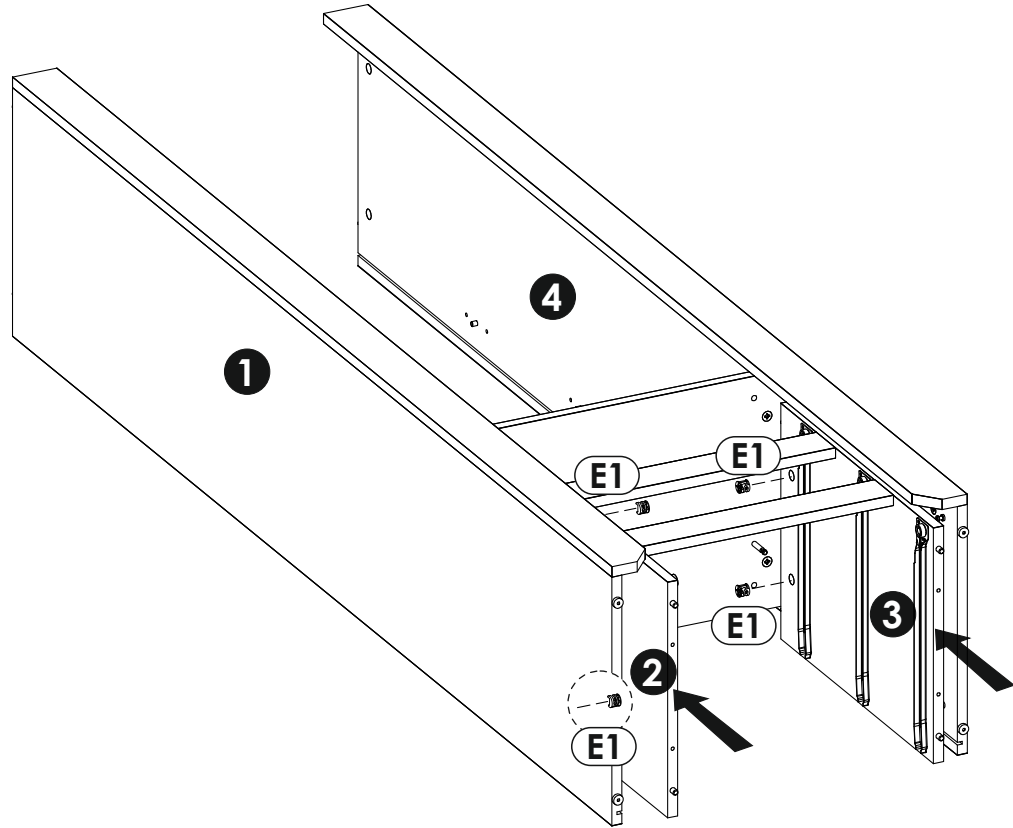


8 ▶

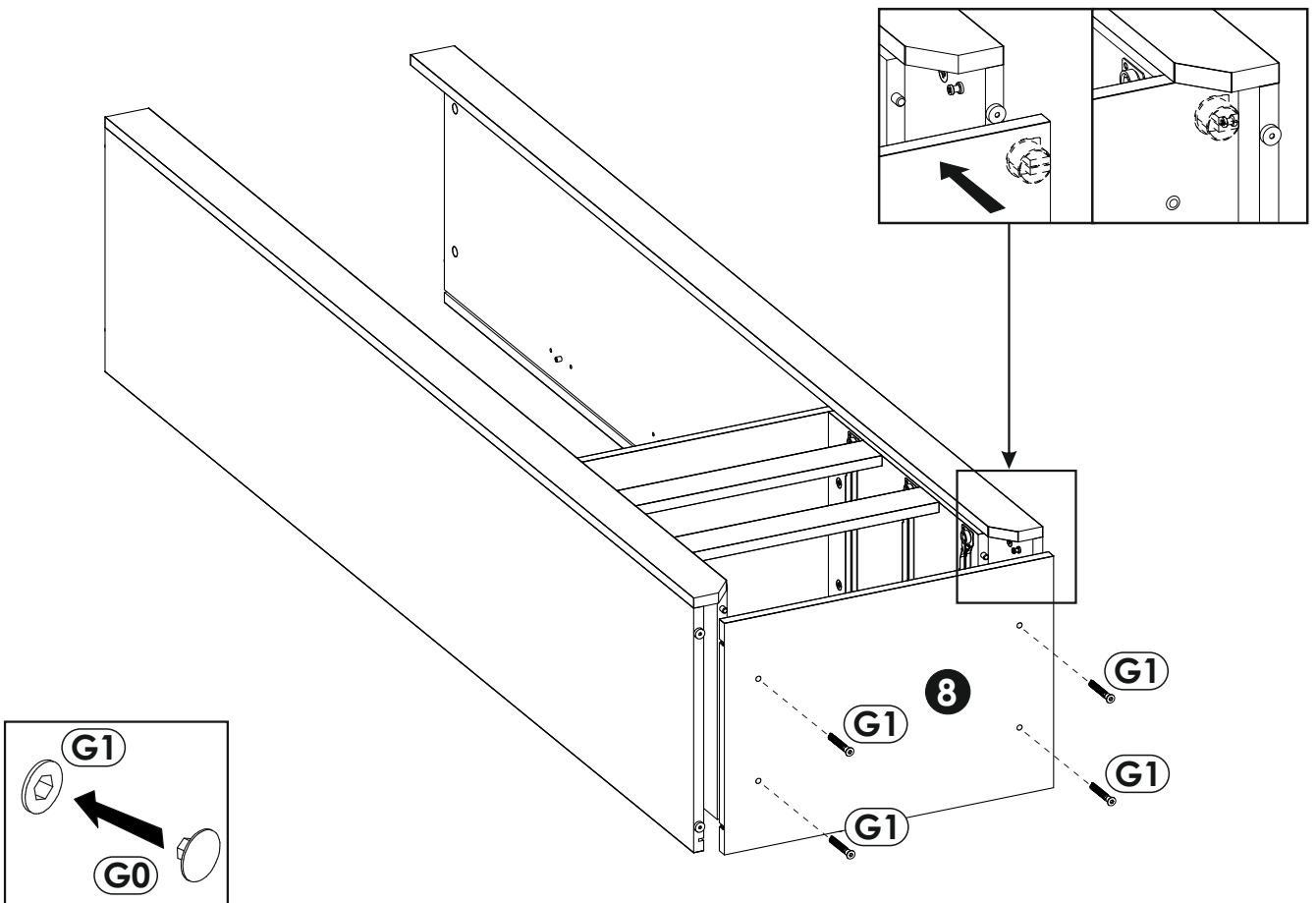




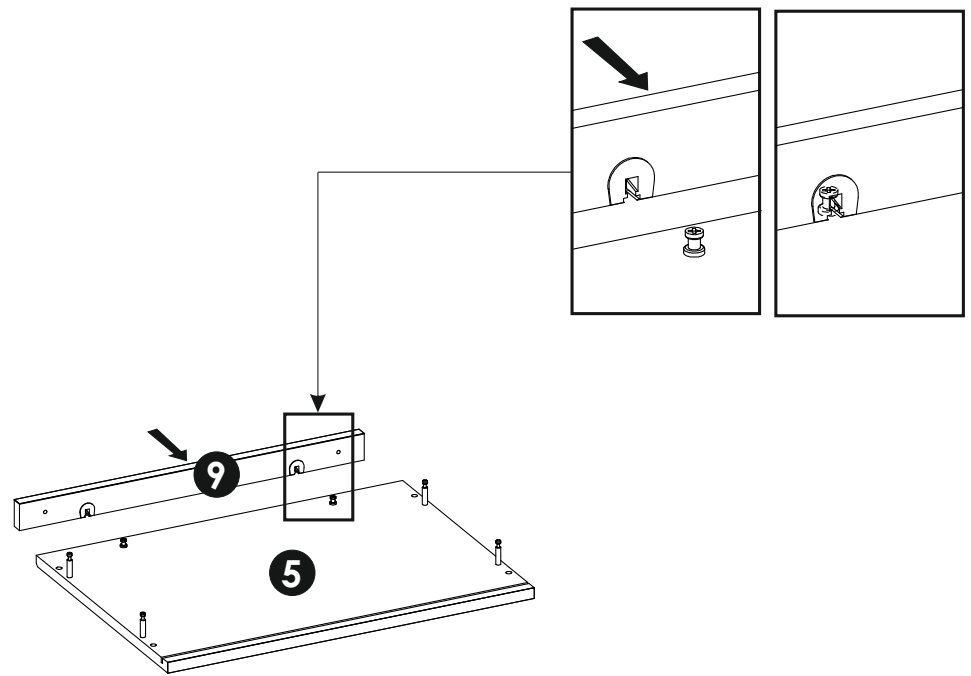
9 ▶



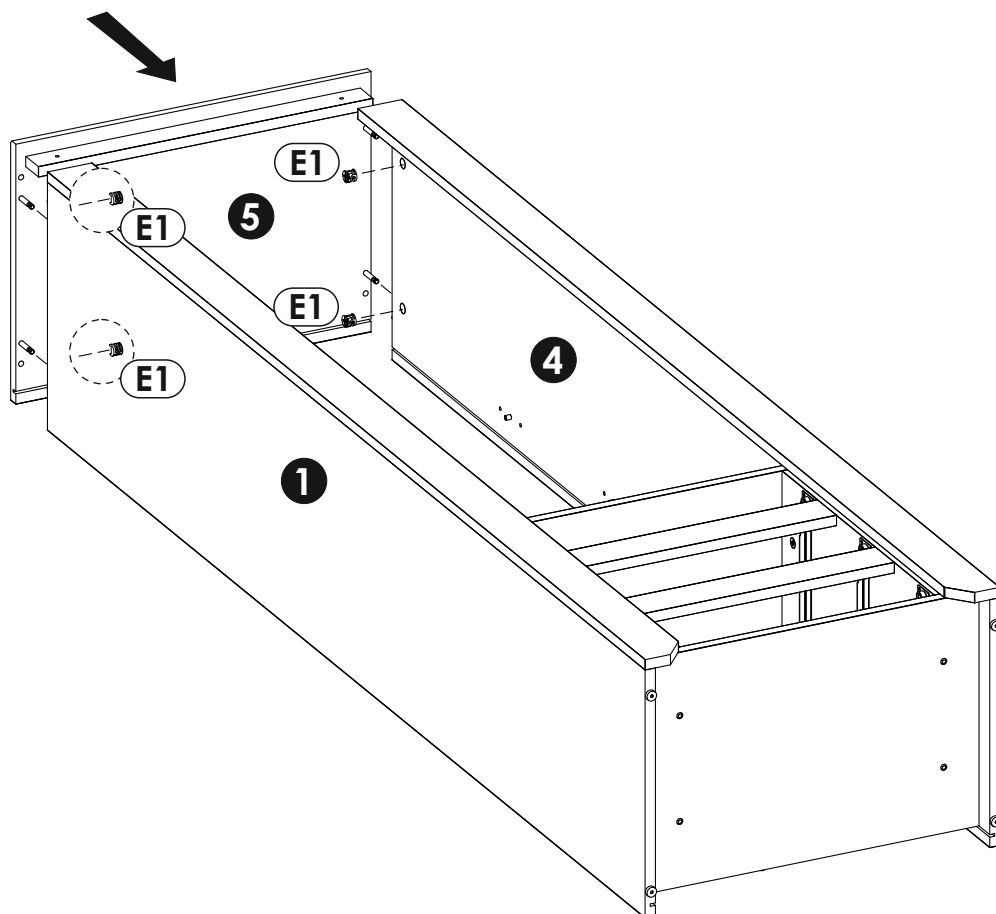
10 ▶



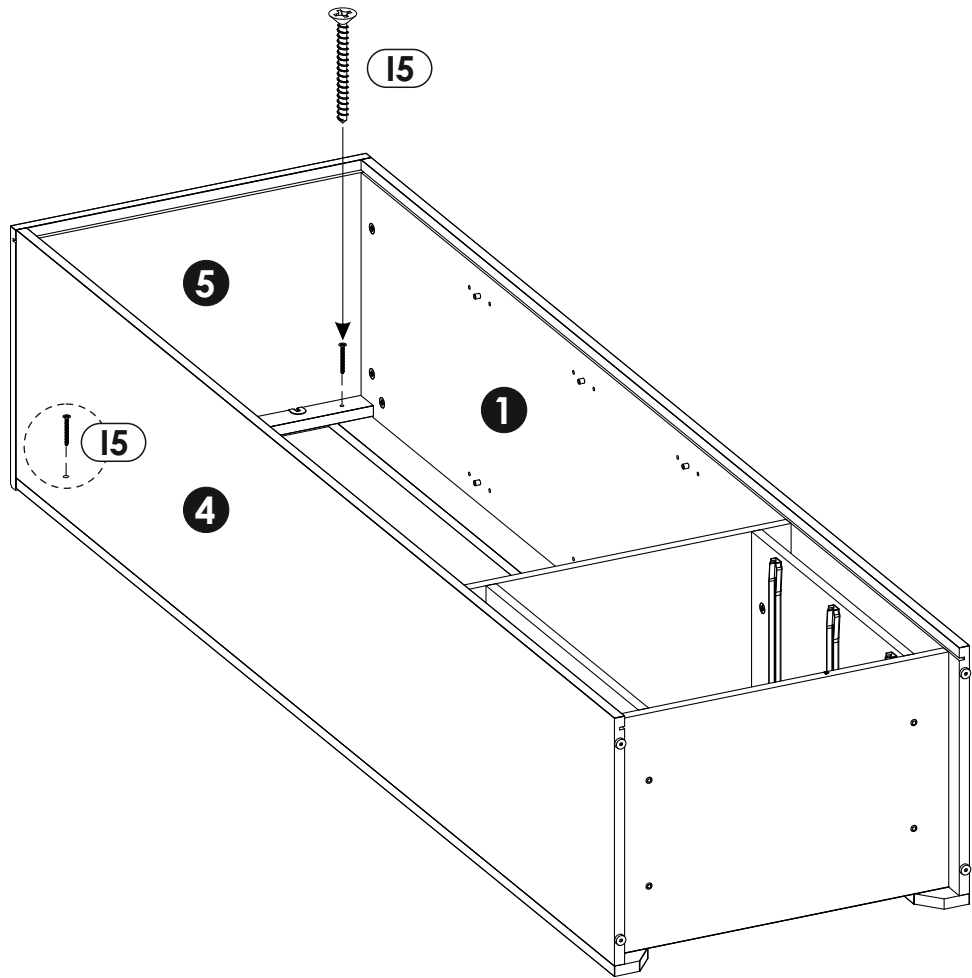
11 ▶



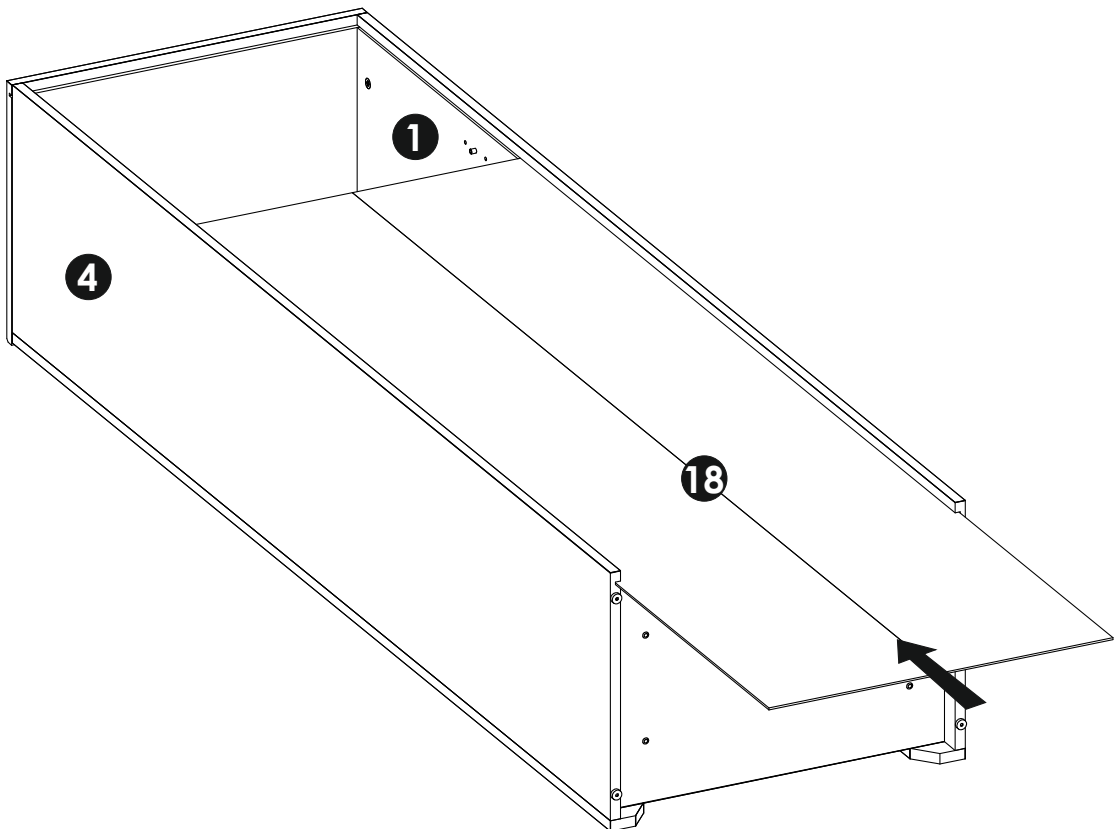
12 ▶

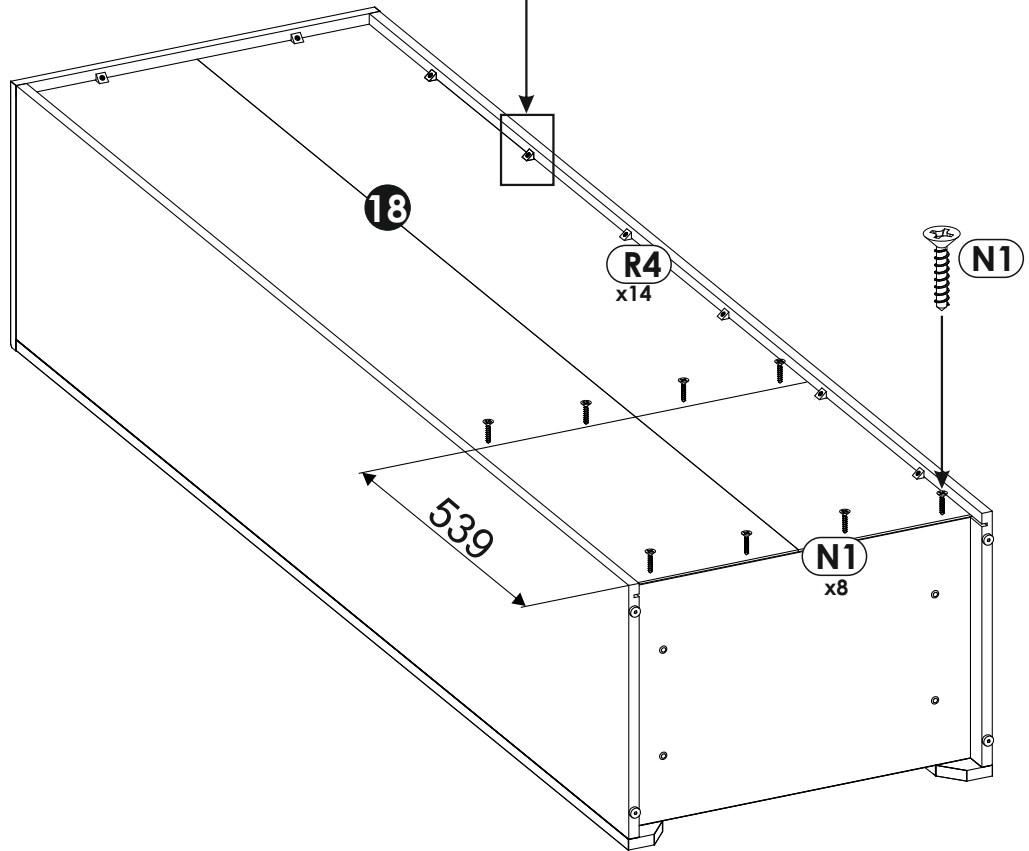
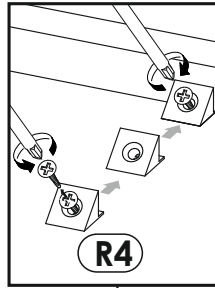
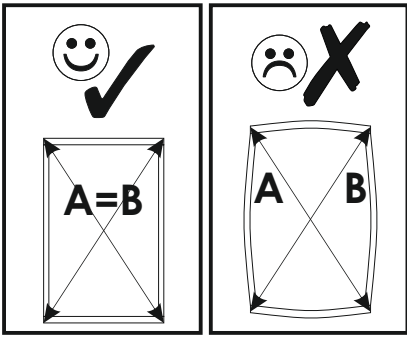


13 ▶

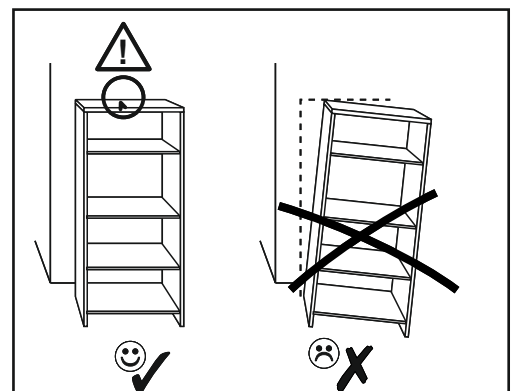
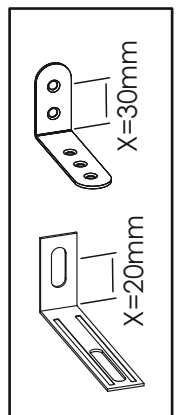
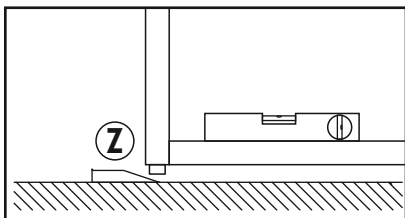
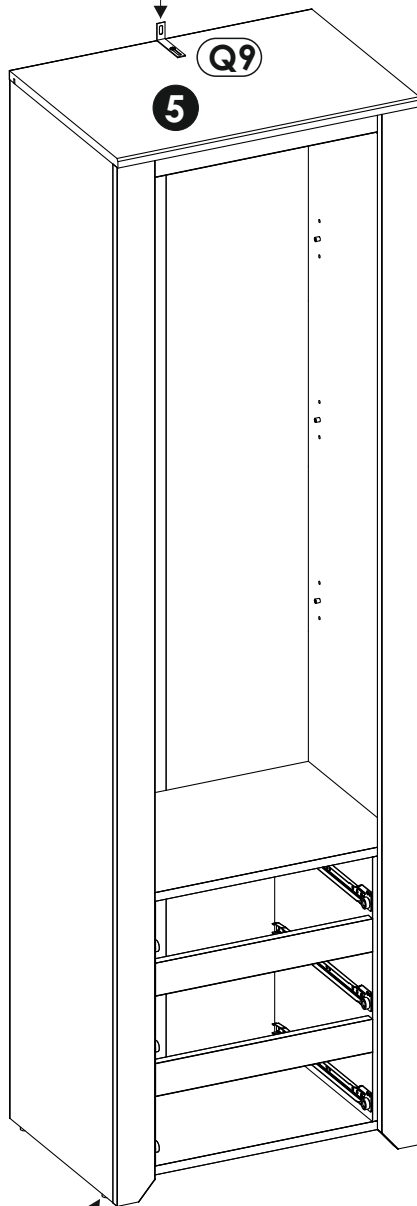
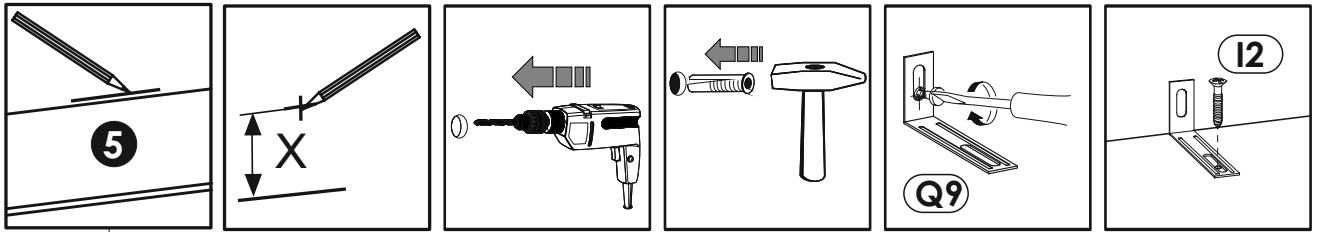


14 ▶

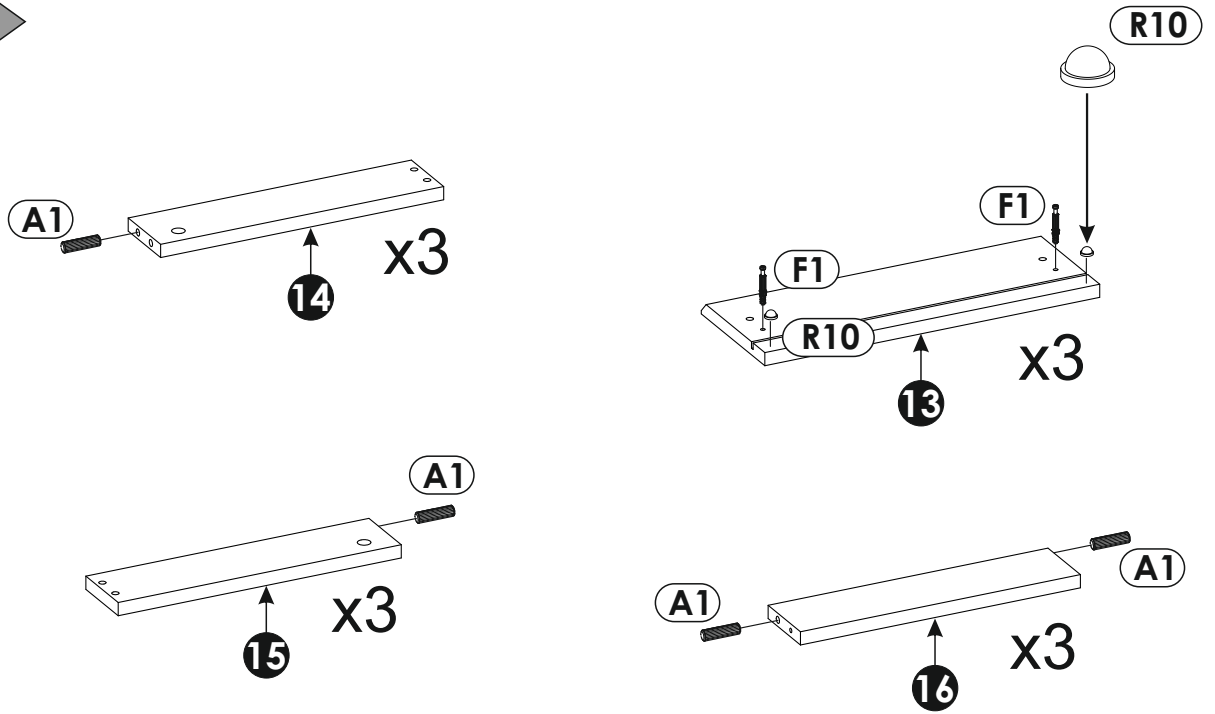




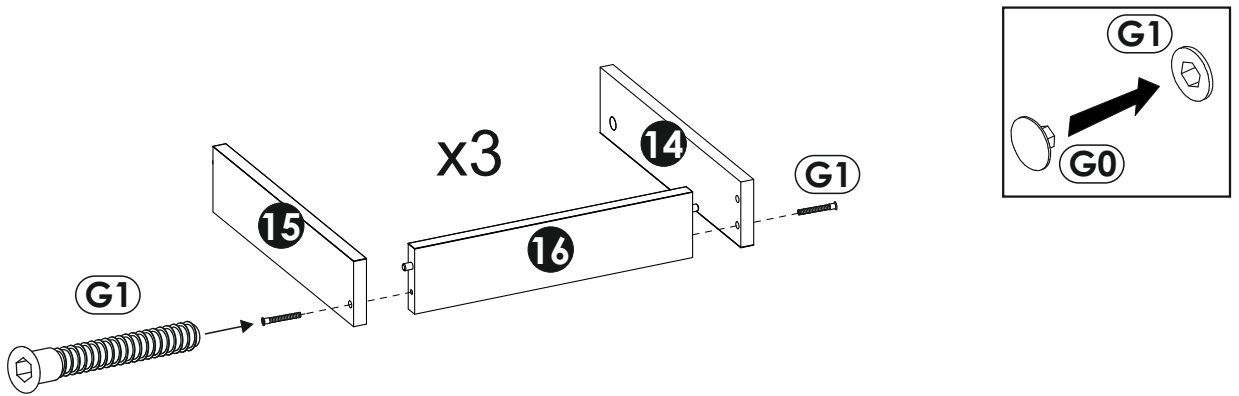
# 16 ▶



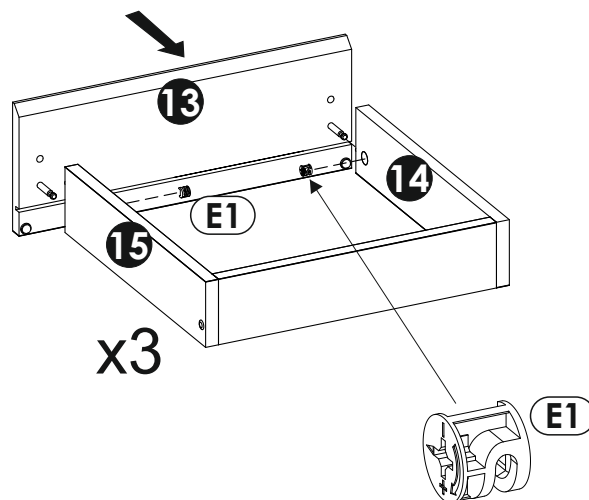
17▶



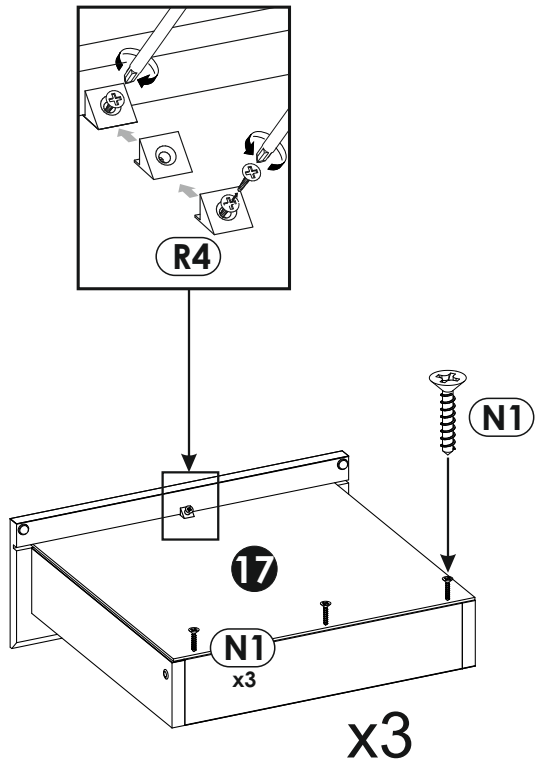
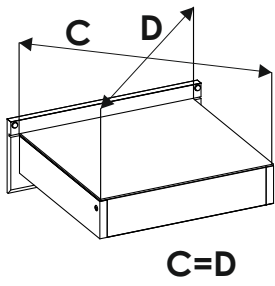
18▶



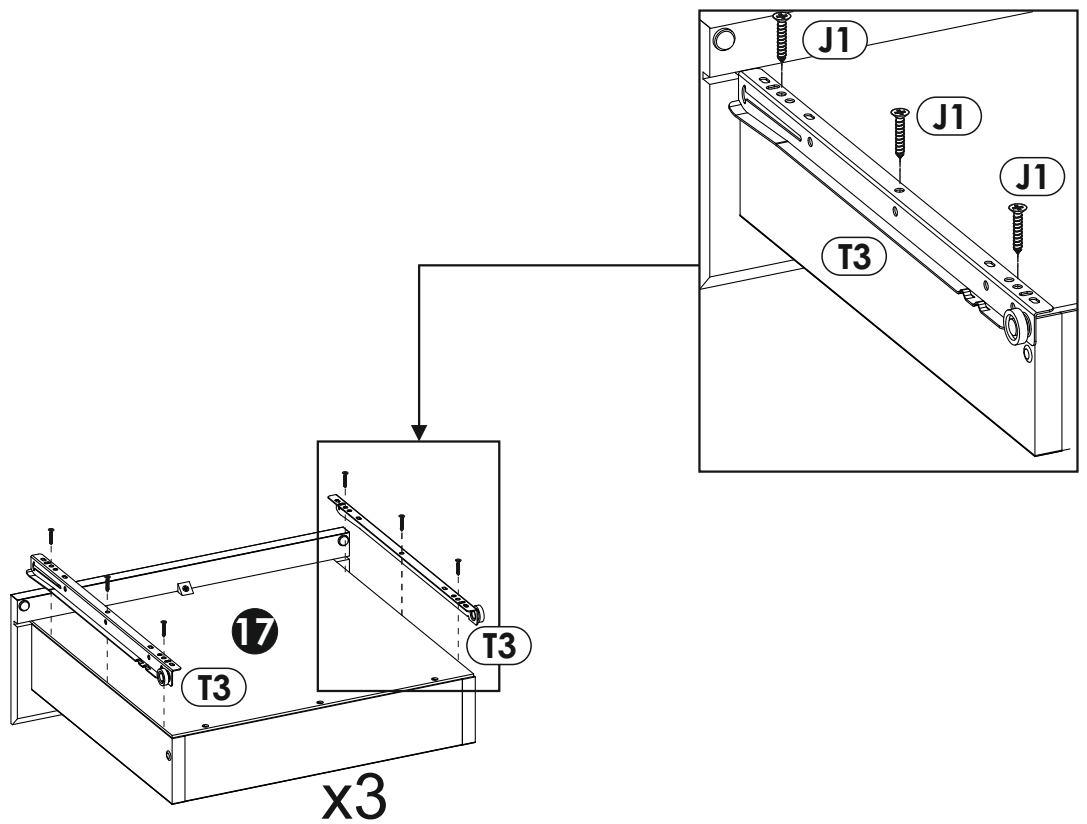
19▶

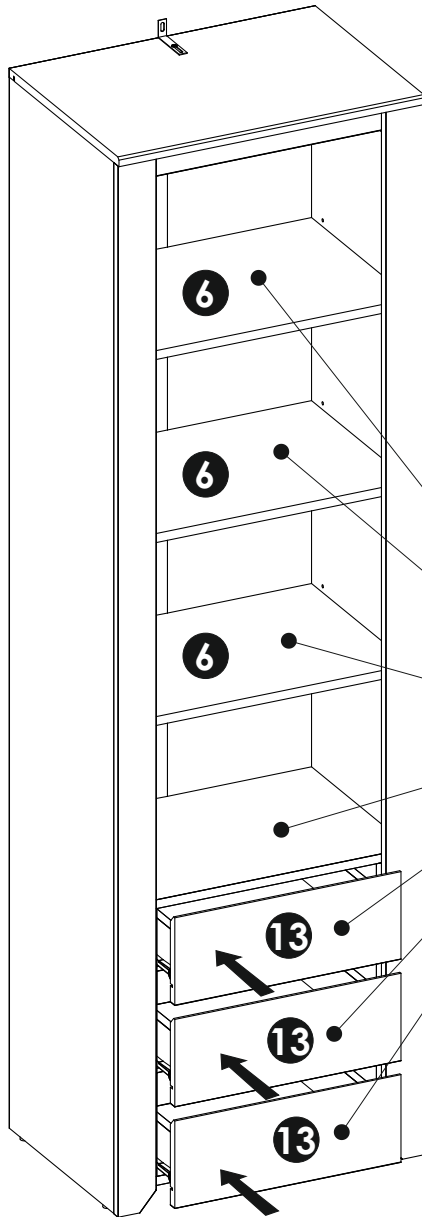
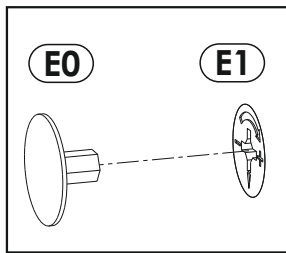
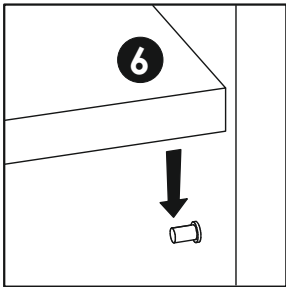
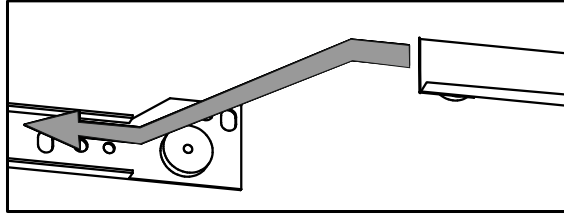


20▶



21▶





 max.  
5 kg



