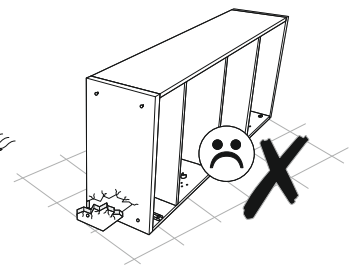
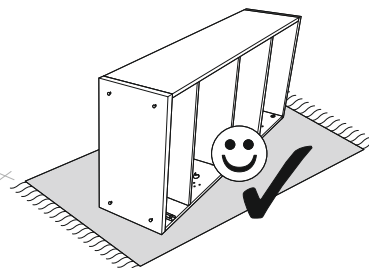
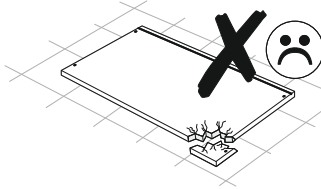
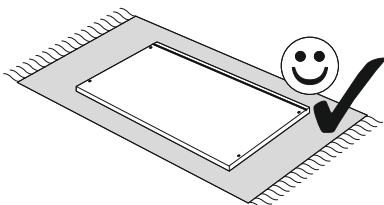
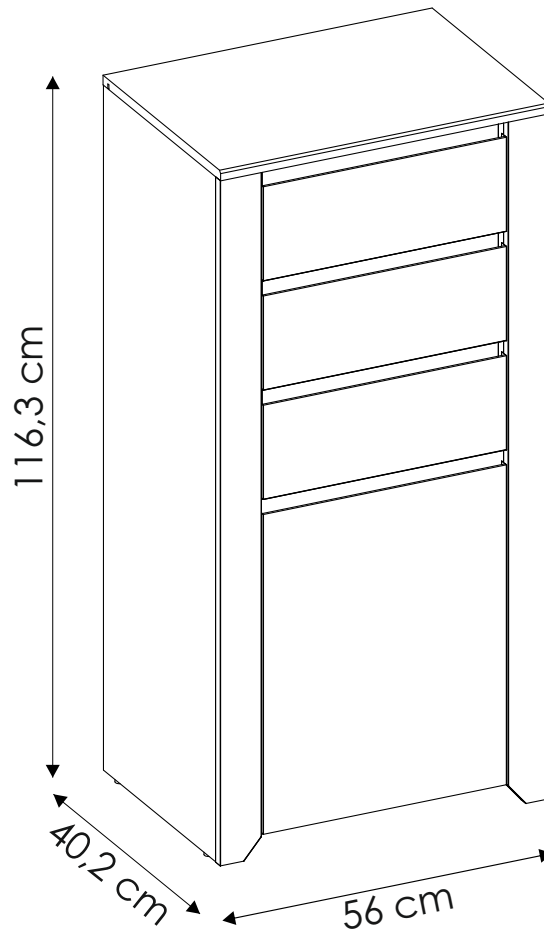
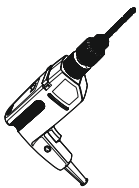
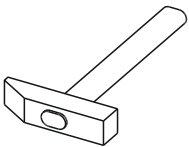
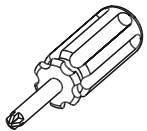
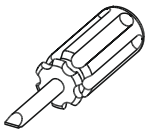
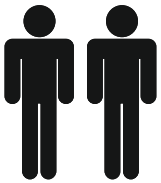
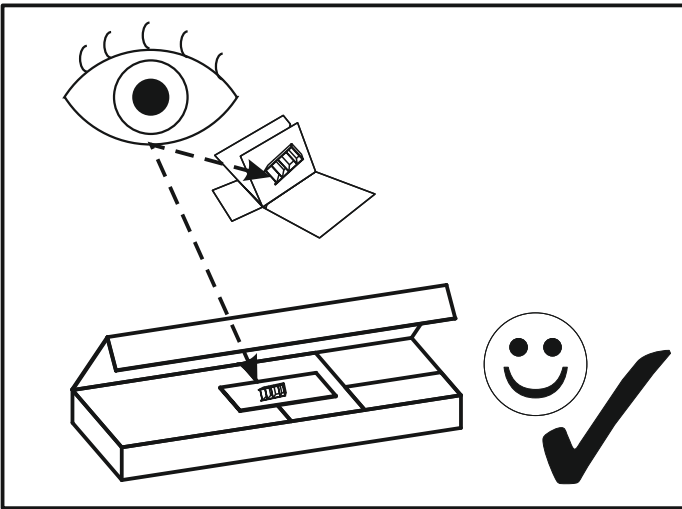



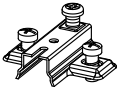
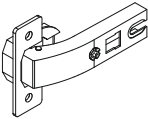


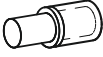
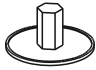


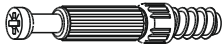
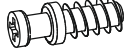




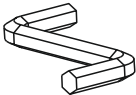

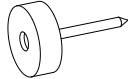



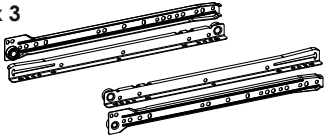
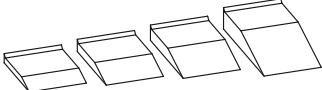
ANGEL 35

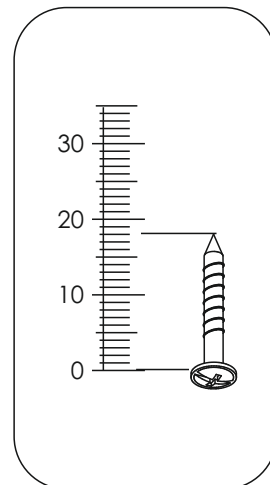




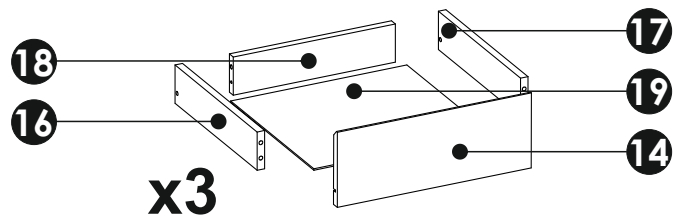
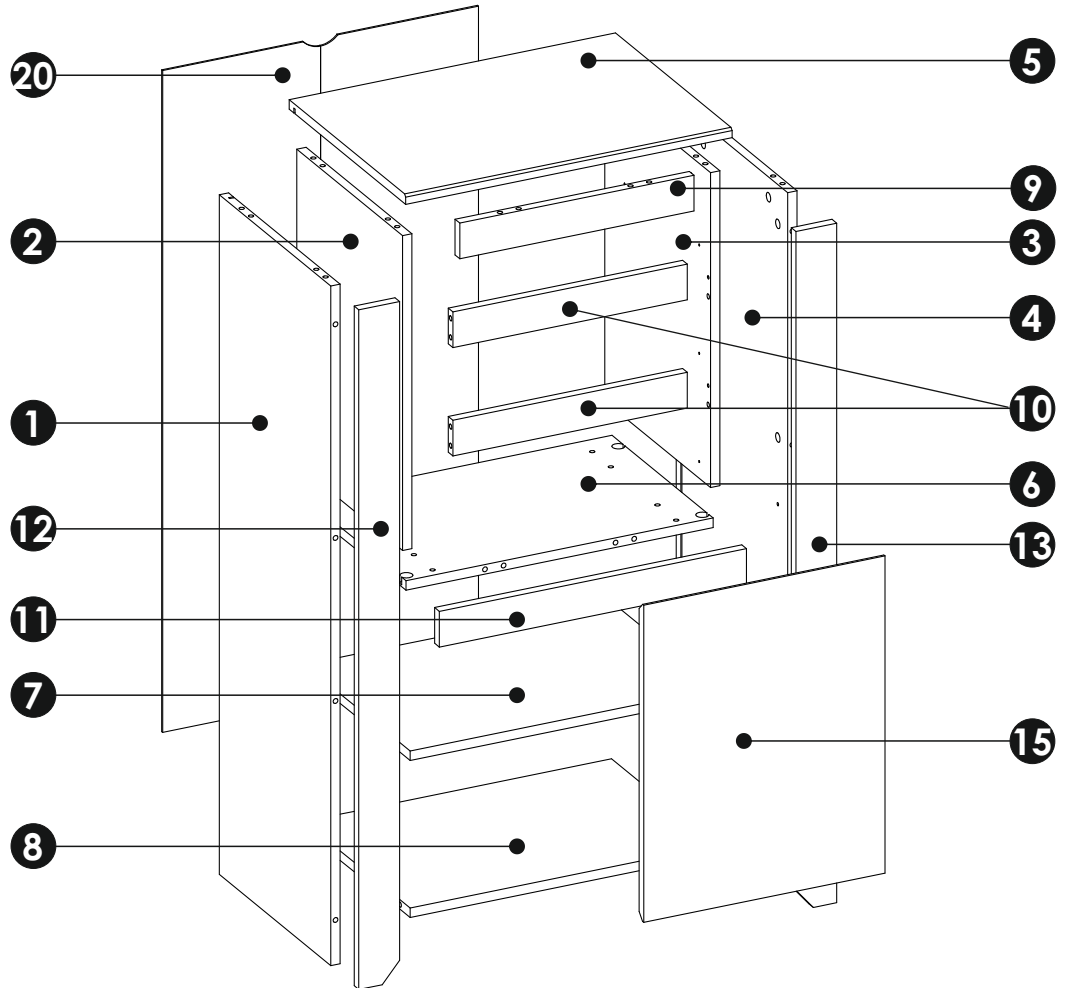
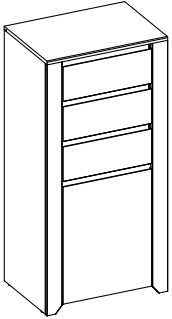
ANGEL 35

MM

<p>A1 x 36 $\varnothing 8 \times 35$ mm</p> 	<p>BR2 x 2</p> 	<p>BR3 x 2</p> 
<p>C1 x 4 4 x 13 mm</p> 	<p>C2 x 12 5 x 13 mm</p> 	<p>D2 x 4</p> 
<p>E0 x 34</p> 	<p>E1 x 34 $\varnothing 15 \times 12$ mm</p> 	<p>E2 x 4</p> 
<p>F1 x 34</p> 	<p>F2 x 4</p> 	<p>G0 x 10</p> 
<p>G1 x 10 $\varnothing 7 \times 50$ mm</p> 	<p>I2 x 1 4 x 16 mm</p> 	<p>J1 x 18 3 x 20mm</p> 
<p>M x 1</p> 	<p>N1 x 30 3 x 16 mm</p> 	<p>O2 x 4</p> 
<p>Q9 x 1</p> 	<p>R4 x 13</p> 	<p>R10 x 8</p> 
<p>T3 x 3</p> 	<p>Z x 1</p> 	



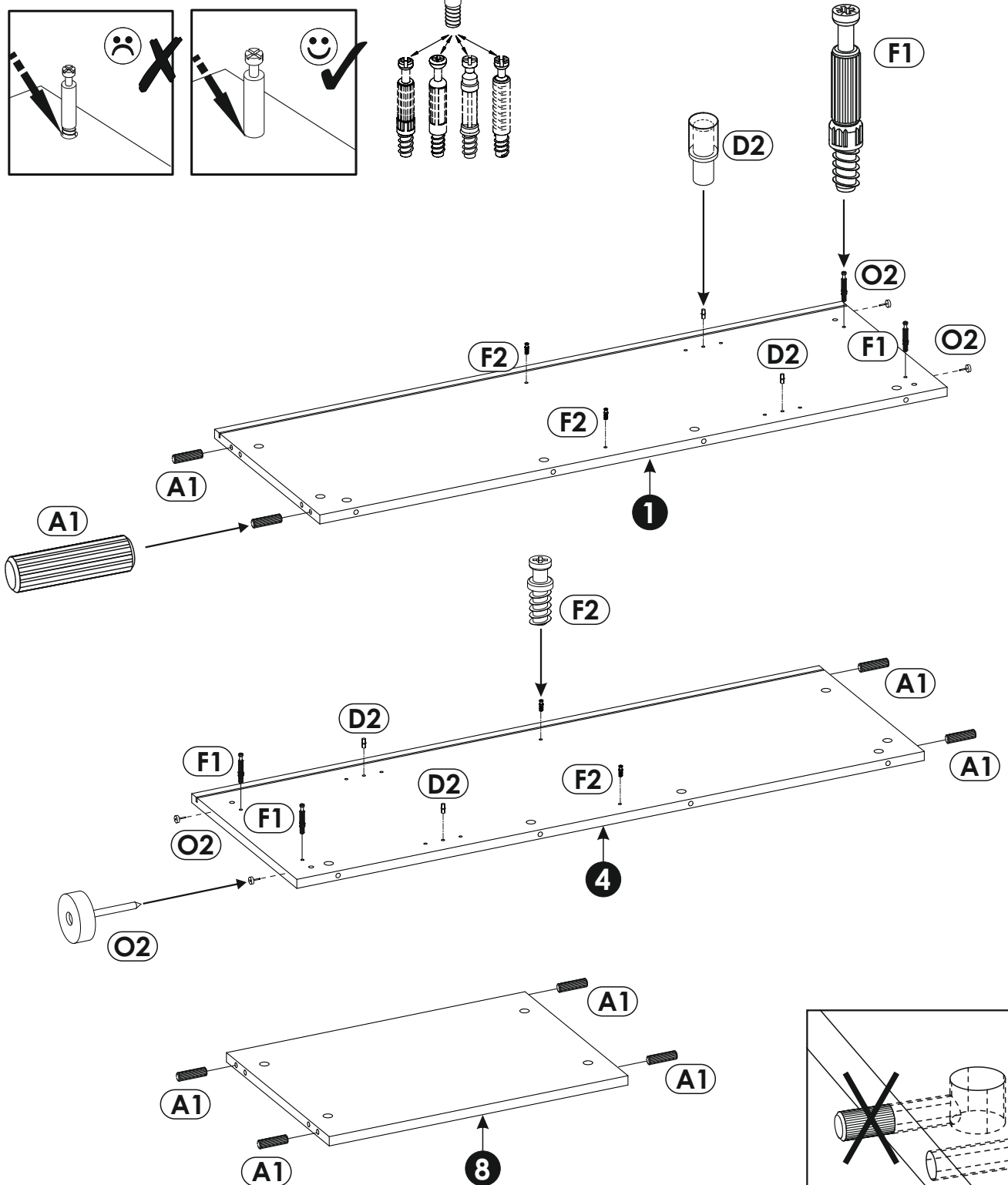
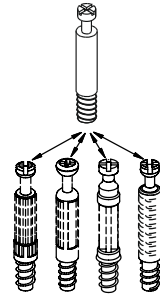
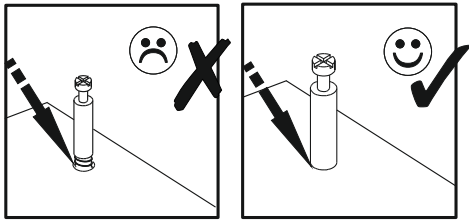
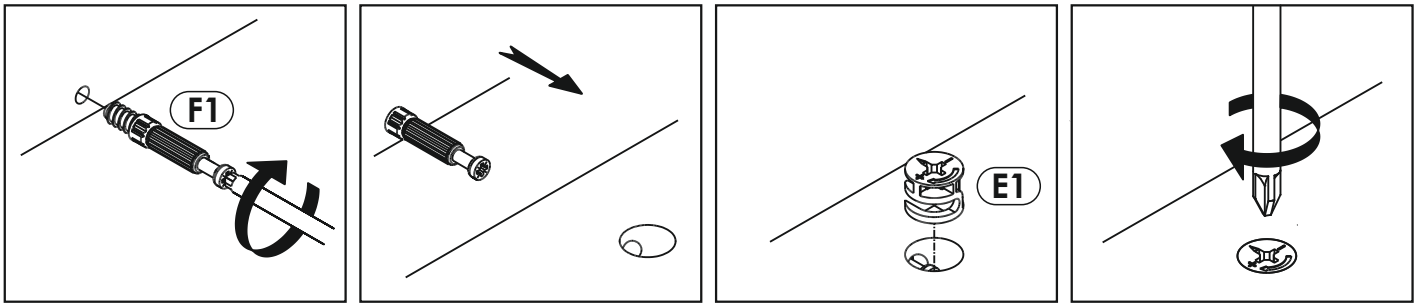
ANGEL 35



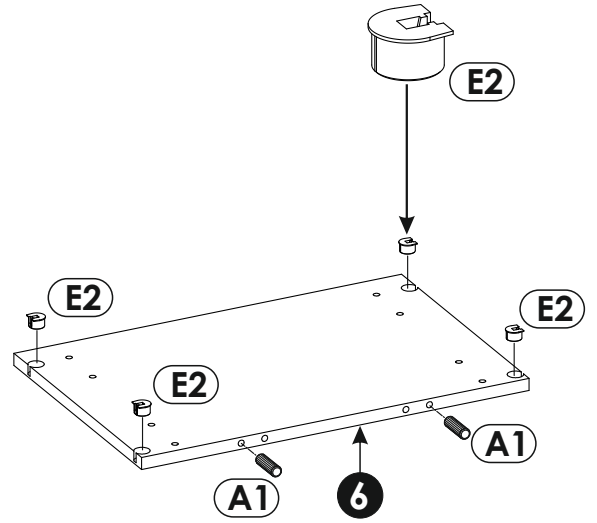
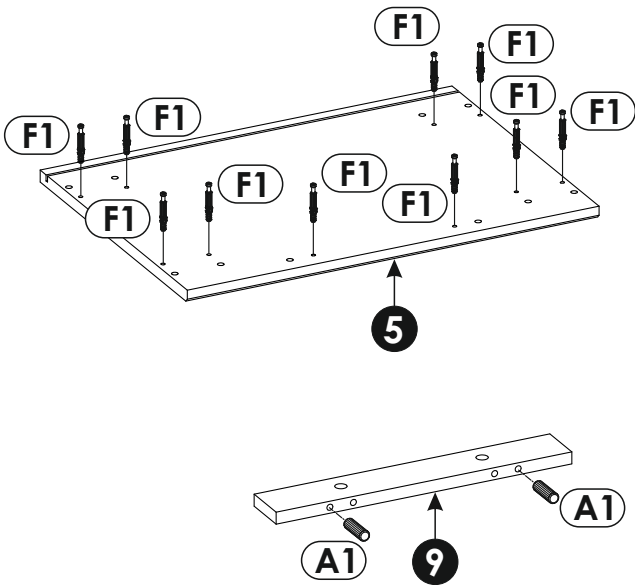
1	1142	383	16	x1	2/2
2	529	363	16	x1	1/2
3	529	363	16	x1	1/2
4	1142	383	16	x1	2/2
5	560	402	16	x1	1/2
6	527	347	16	x1	1/2
7	527	363	16	x1	1/2

8	527	363	16	x1	1/2
9	402	60	16	x1	1/2
10	402	60	16	x2	1/2
11	527	60	16	x1	1/2
12	1142	70	16	x1	2/2
13	1142	70	16	x1	2/2
14	414	157	16	x3	1/2

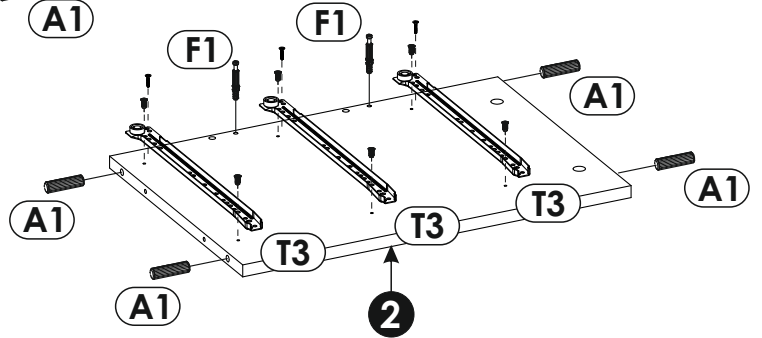
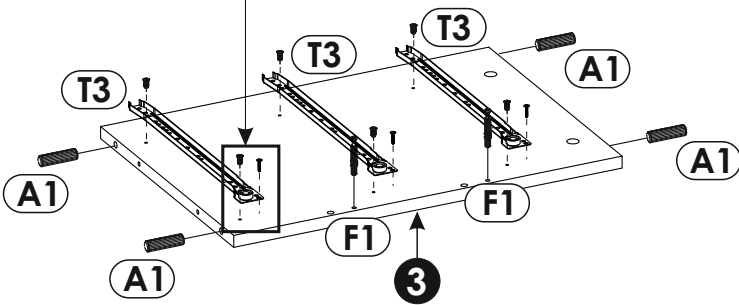
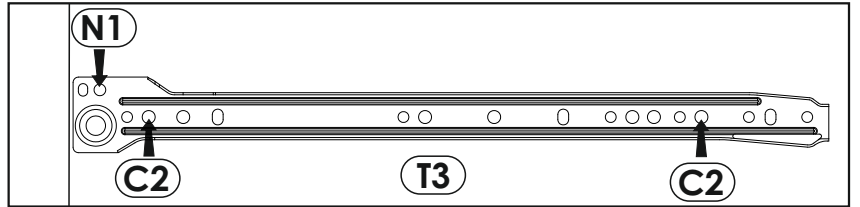
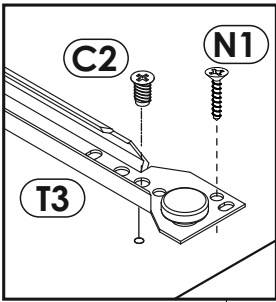
15	533	414	16	x1	1/2
16	350	80	16	x3	2/2
17	350	80	16	x3	2/2
18	346	80	16	x3	2/2
19	376	355	3	x3	1/2
20	1112	542	3	x1	2/2



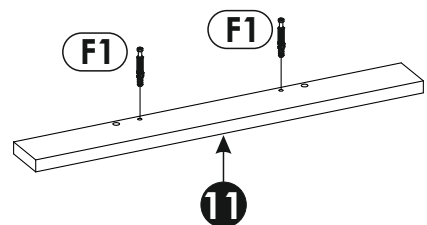
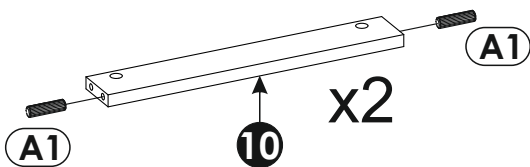
2 ▶



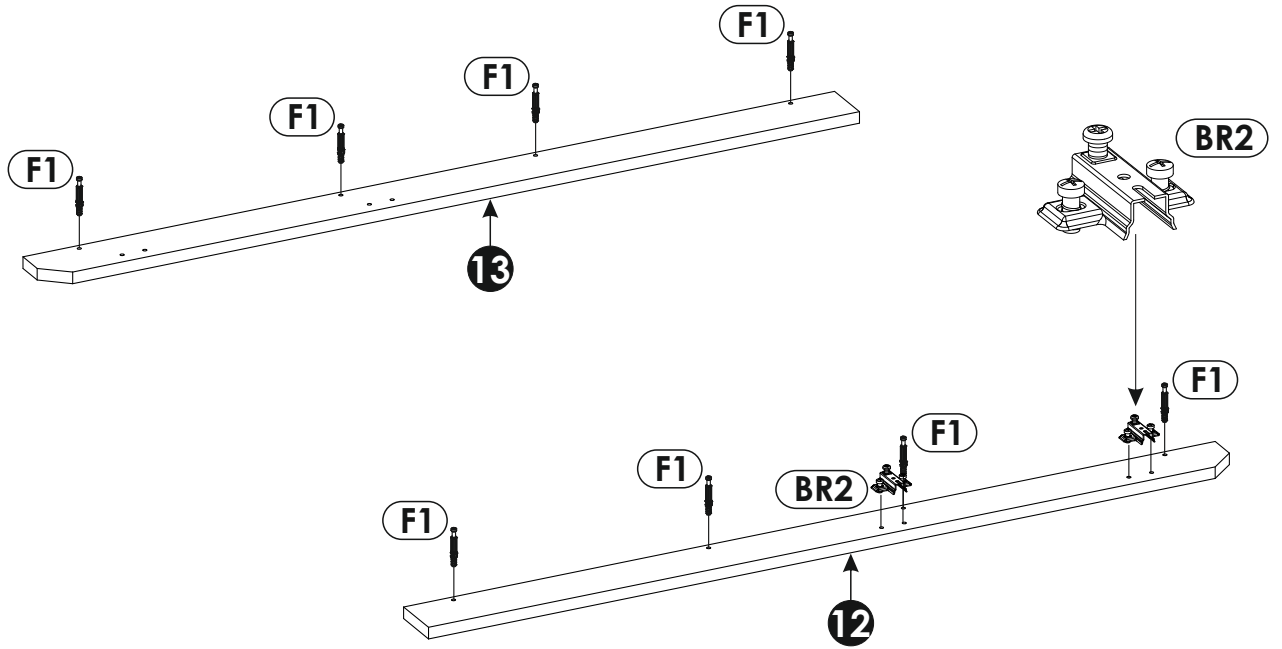
3 ▶



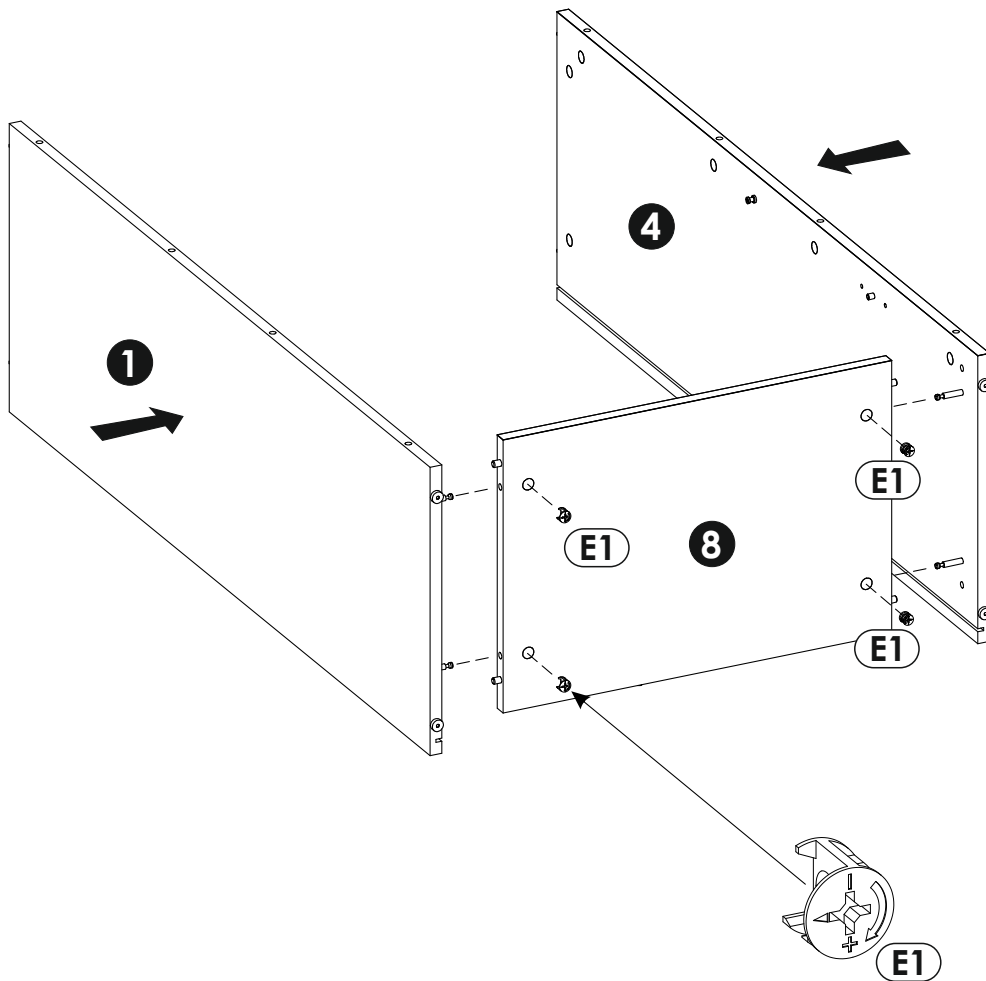
4 ▶



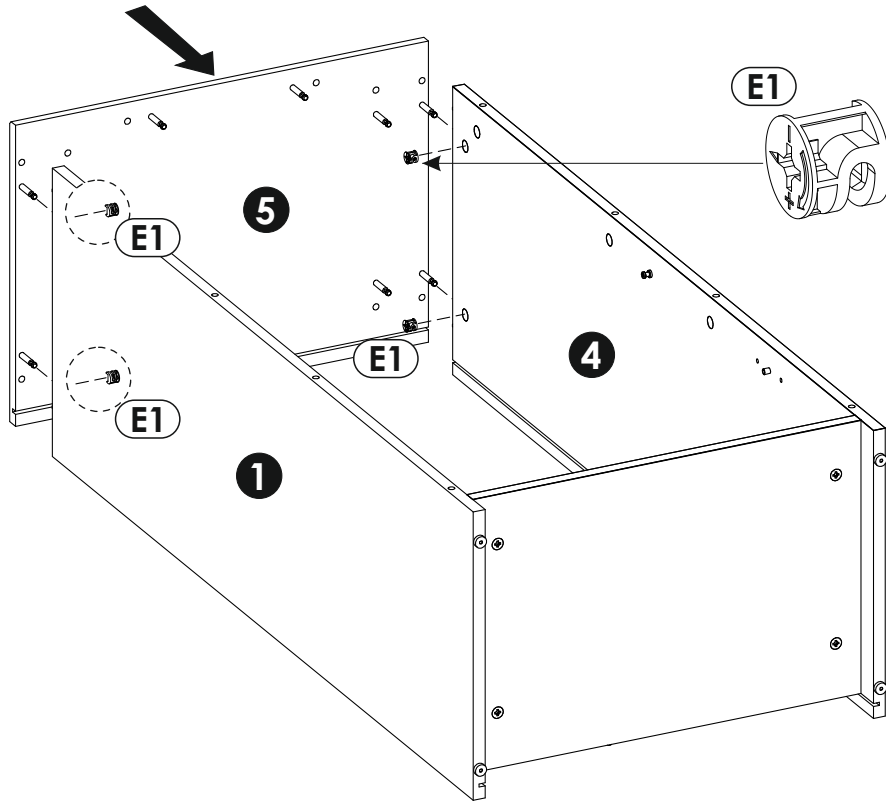
5 ▶



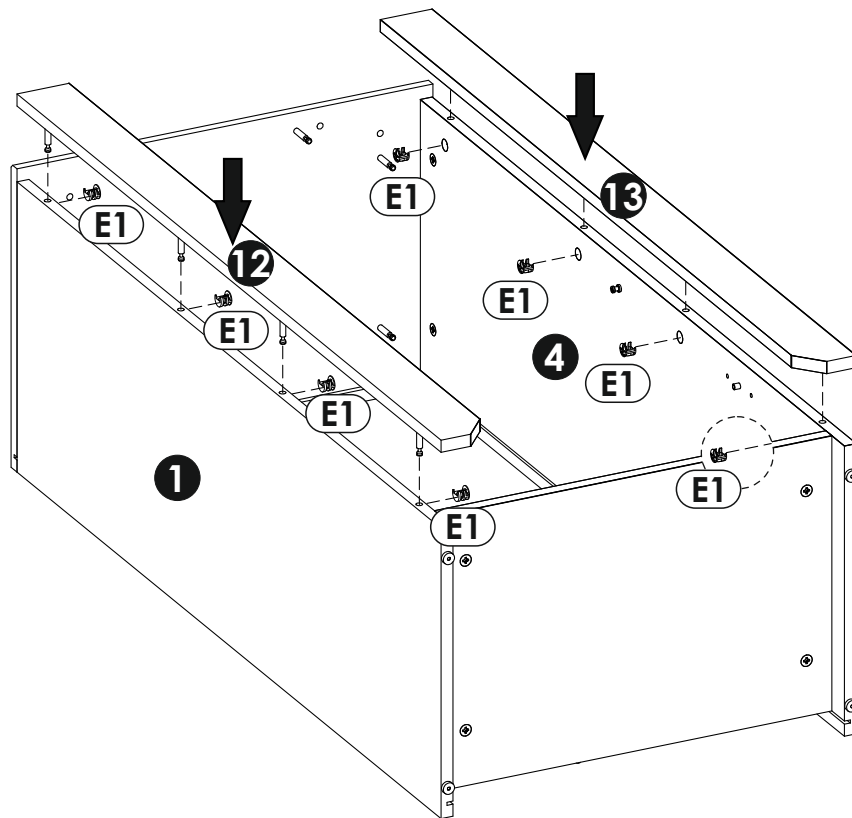
6 ▶



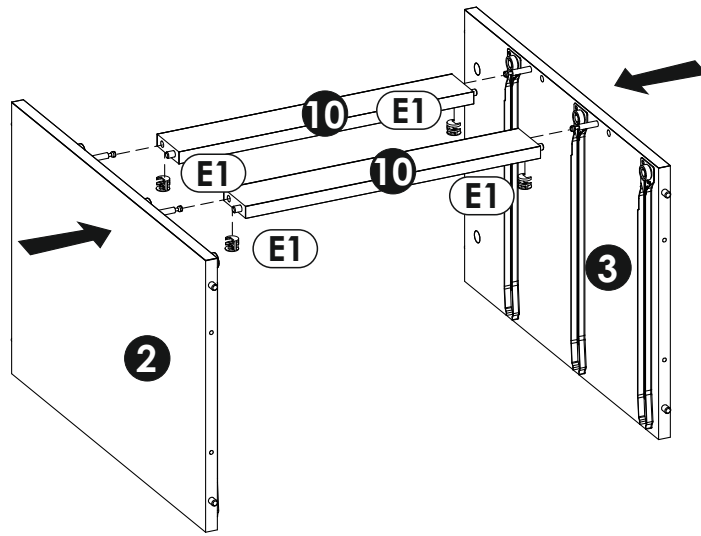
7 ▶



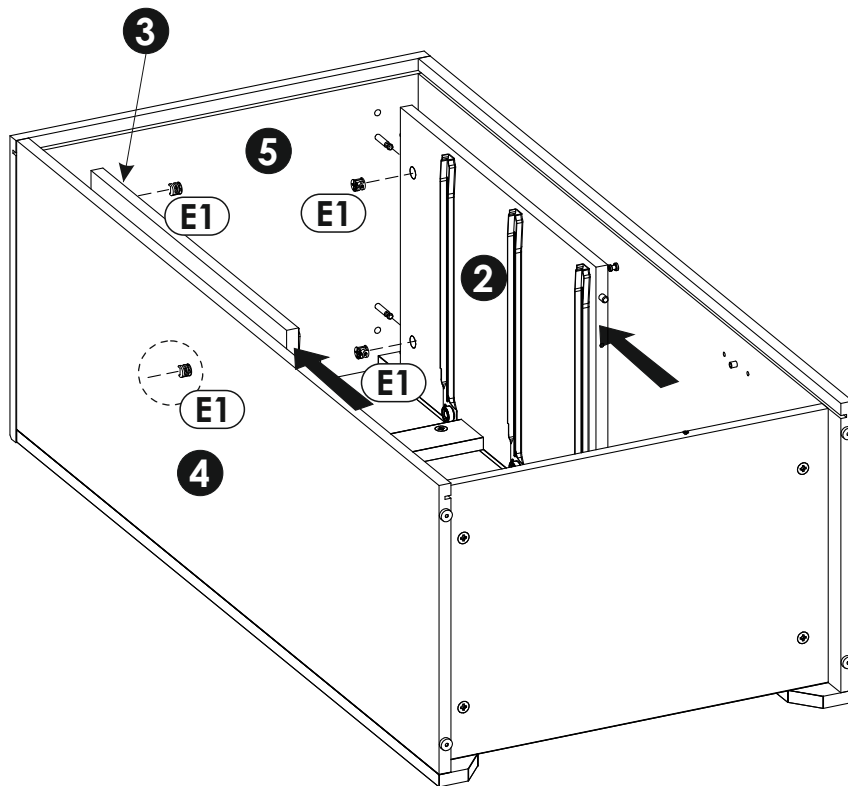
8 ▶



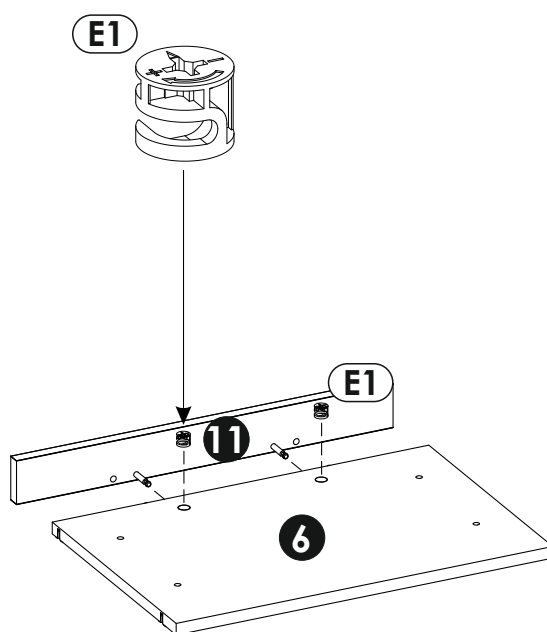
9 ▶



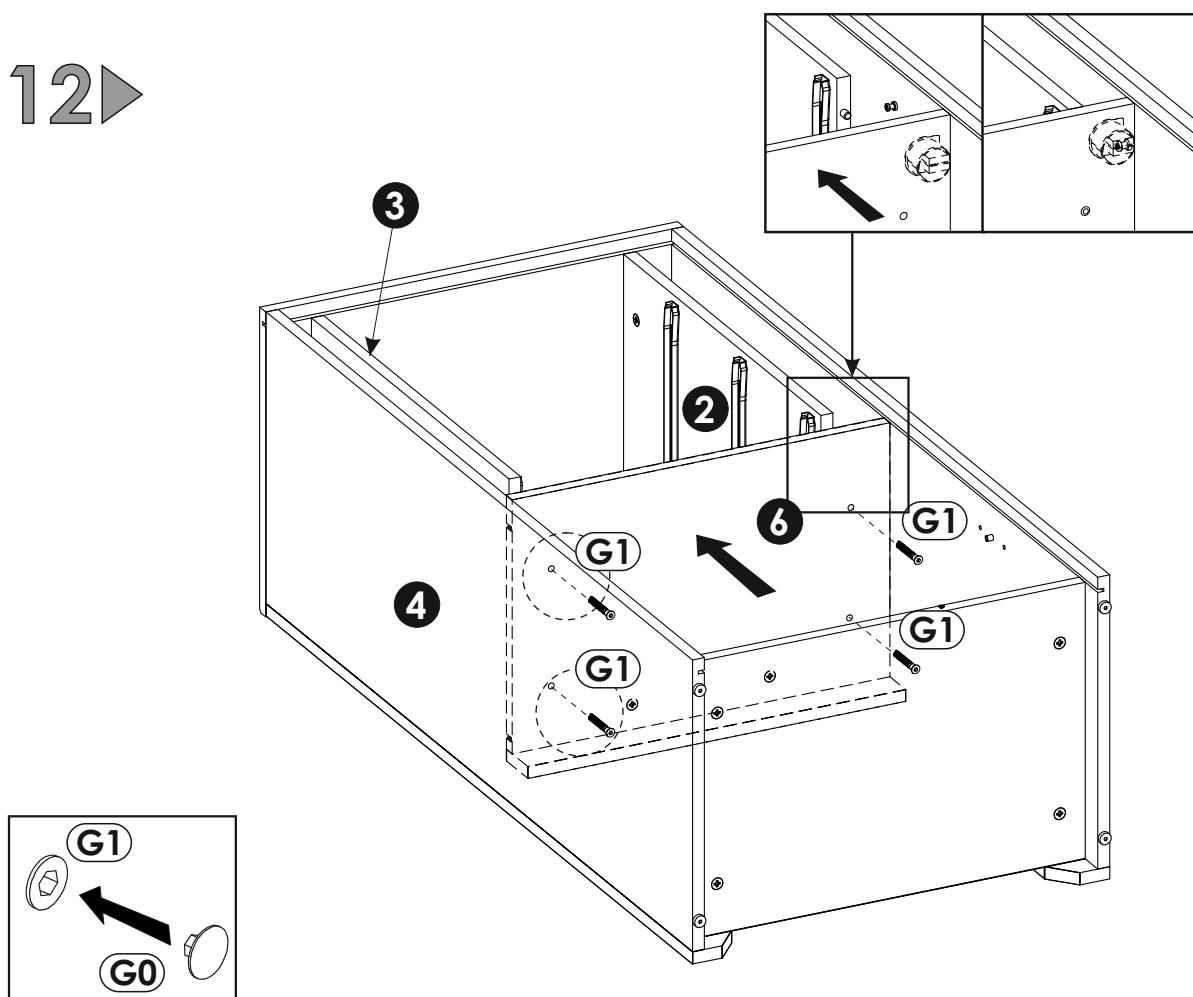
10 ▶



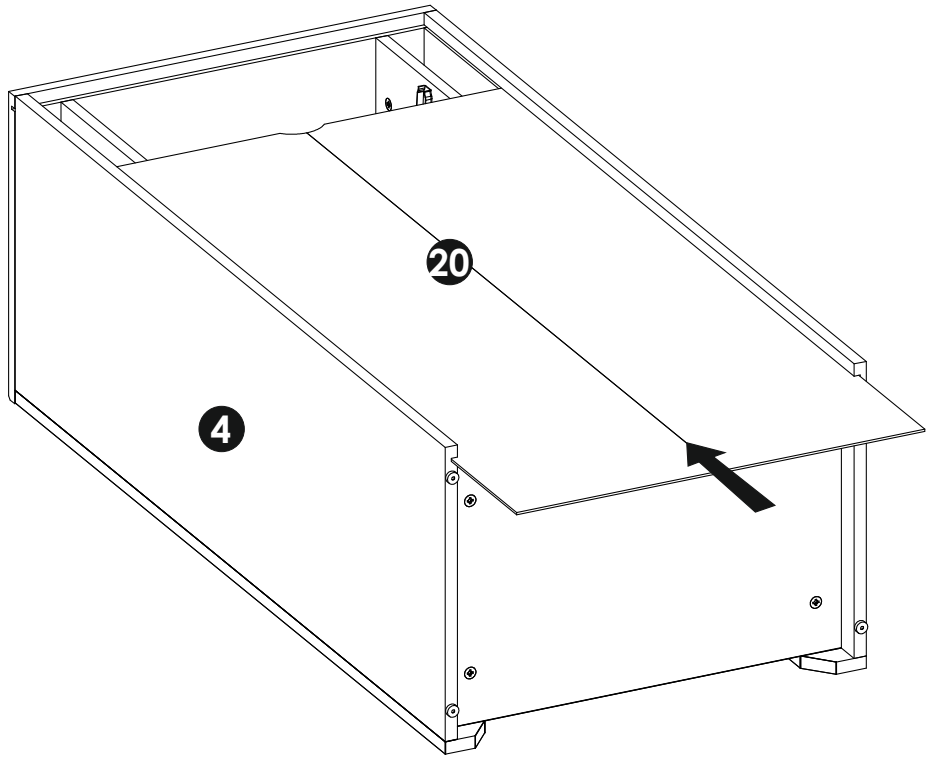
11 ▶



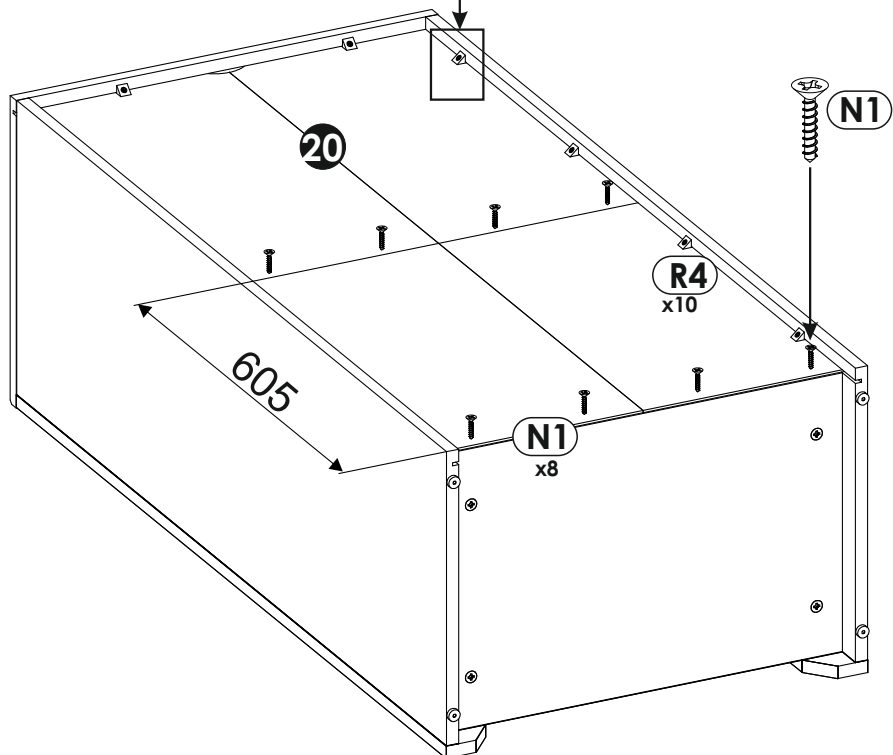
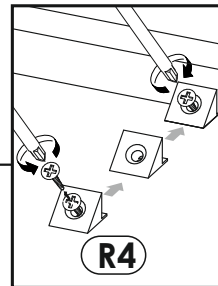
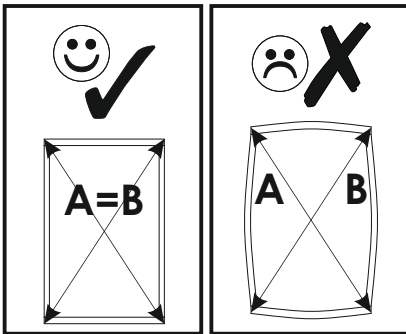
12 ▶

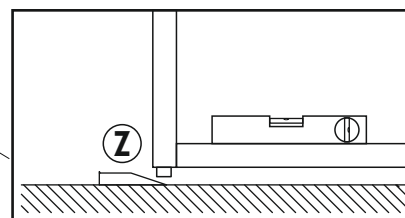
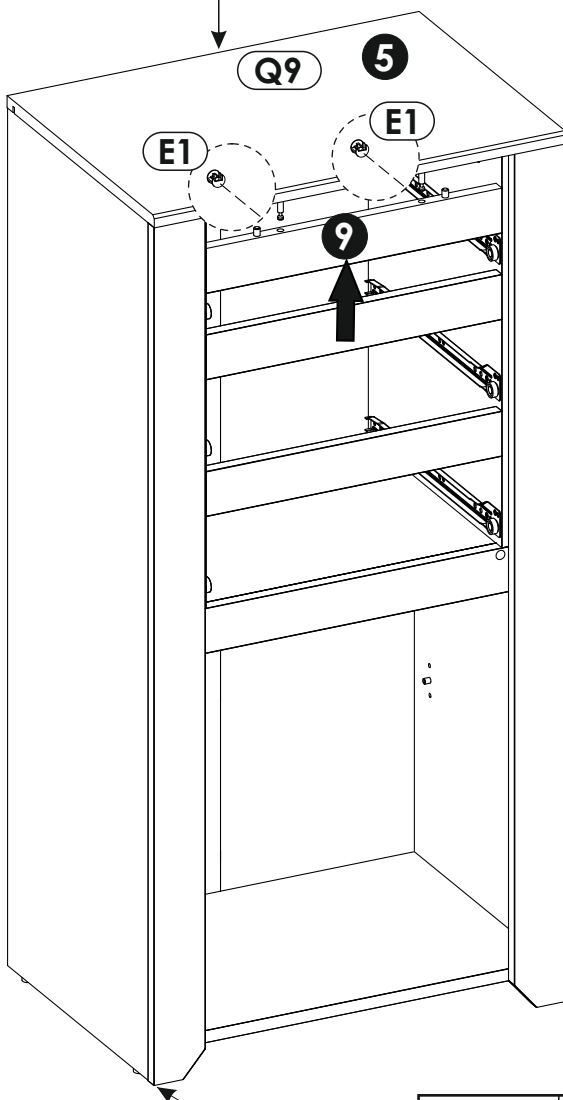
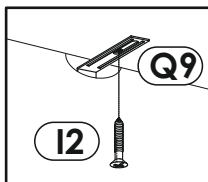
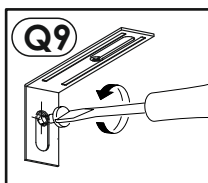
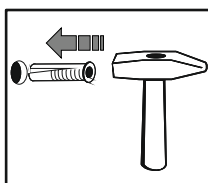
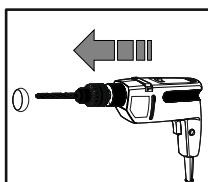
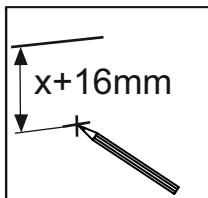
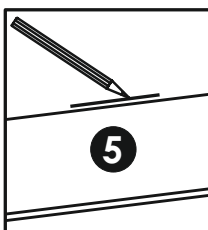
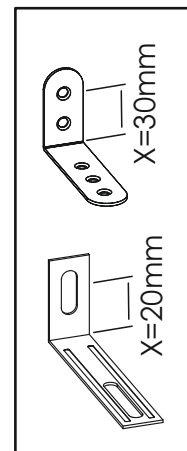
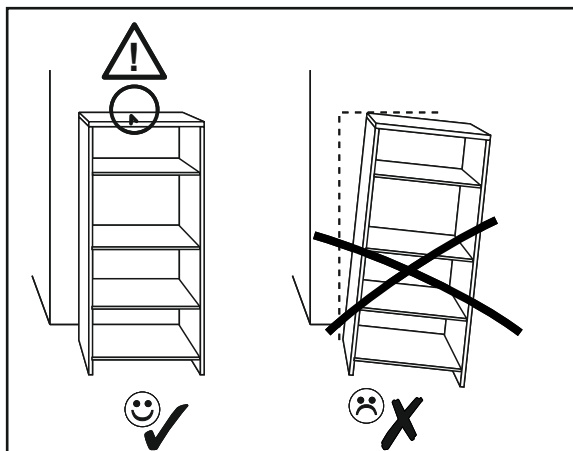


13▶

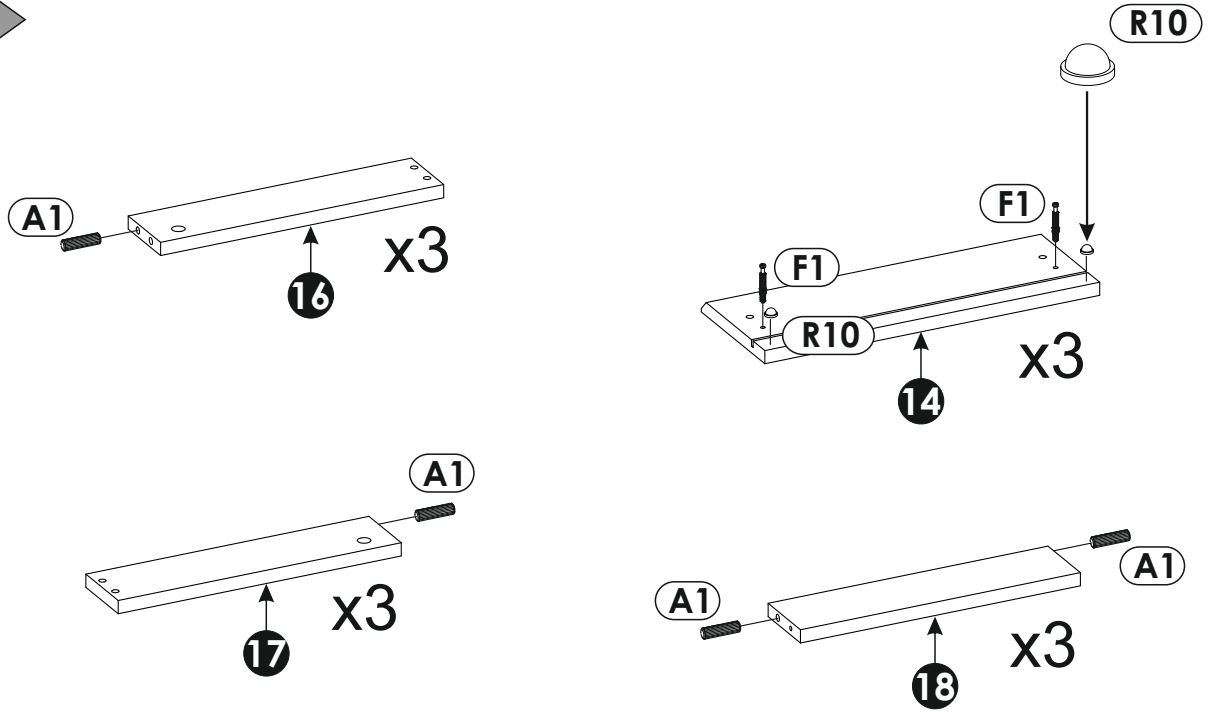


14▶

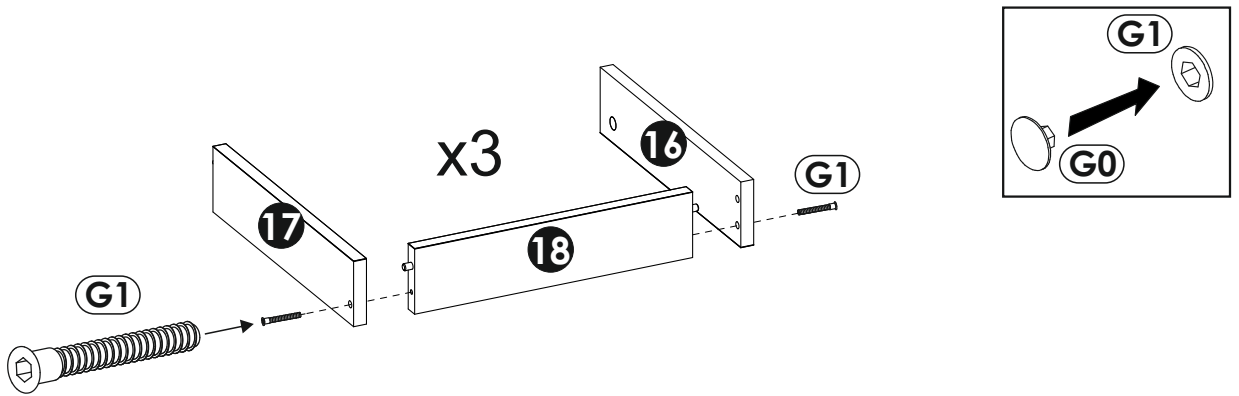




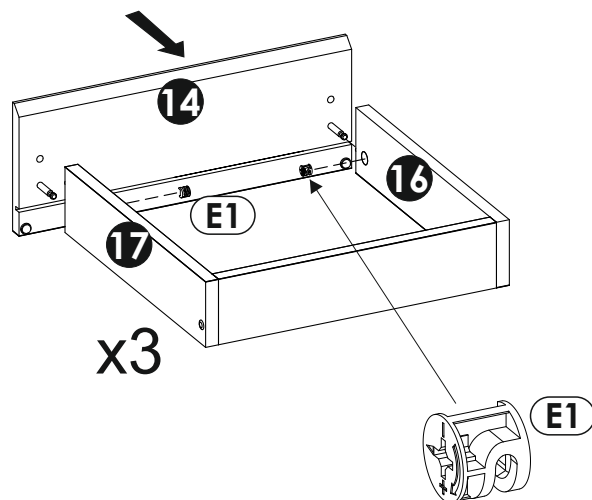
16▶



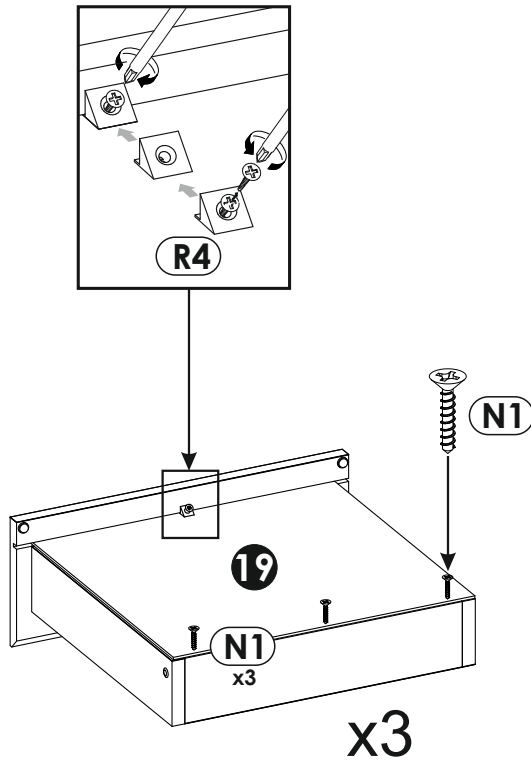
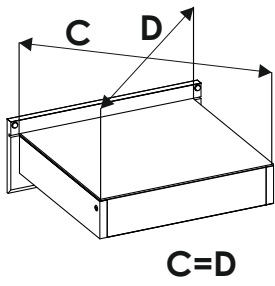
17▶



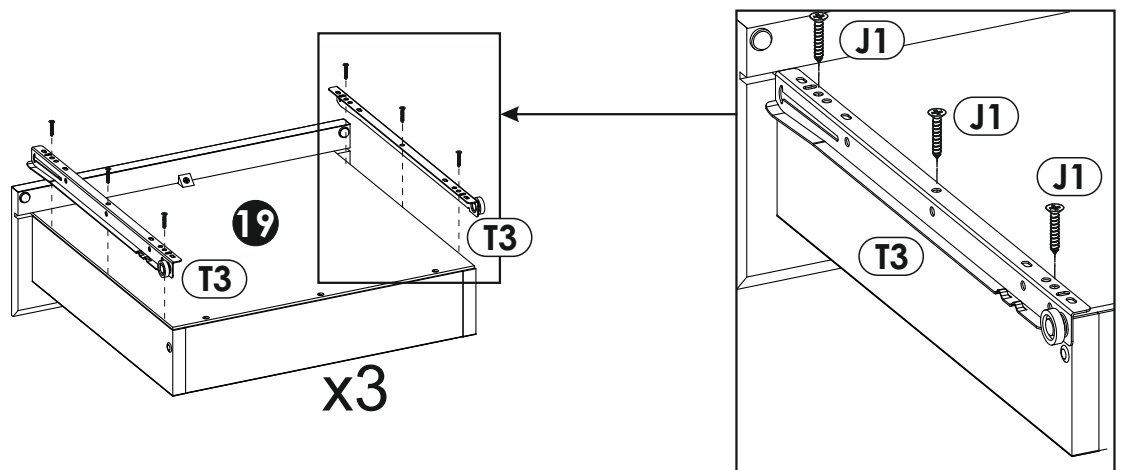
18▶



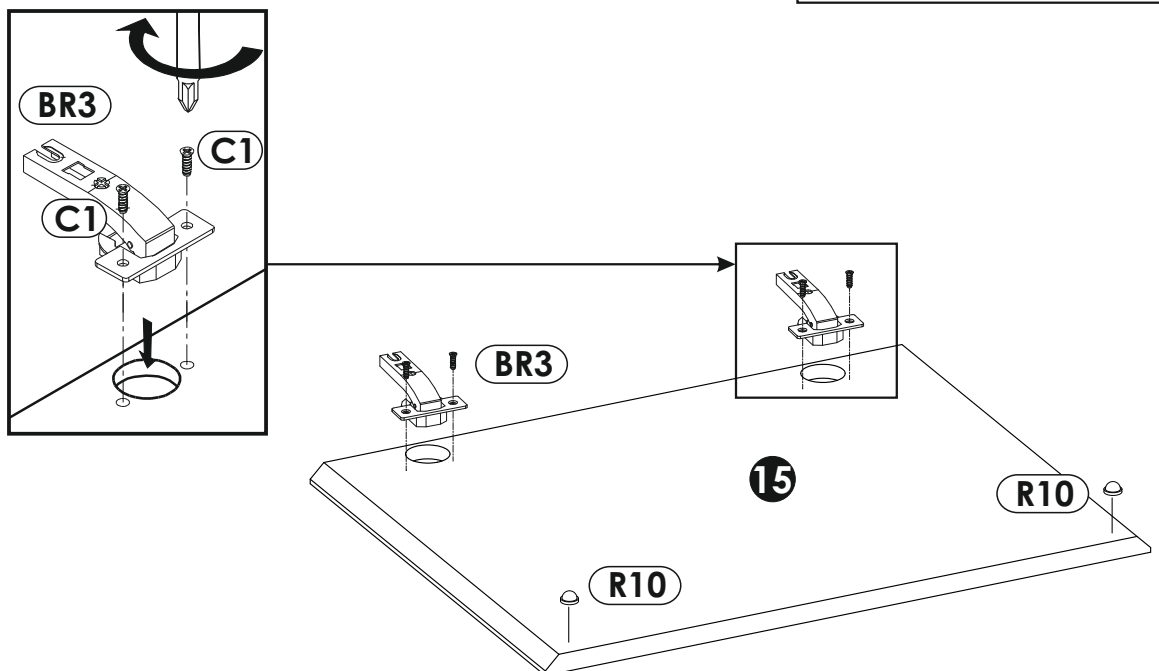
19▶



20▶



21▶



22 ▶

