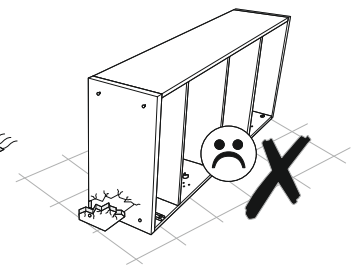
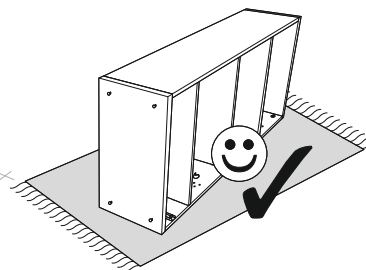
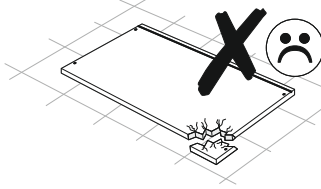
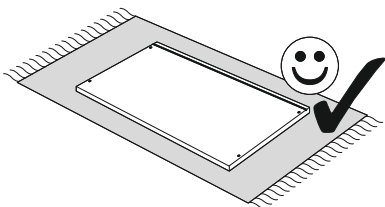
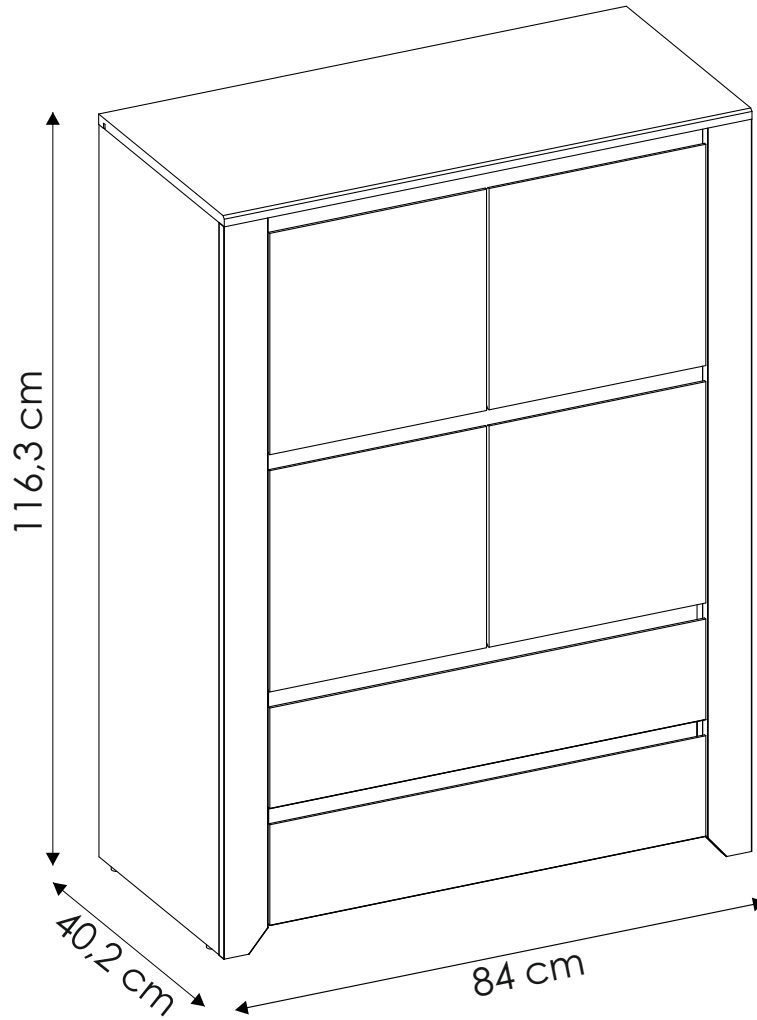
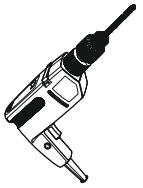
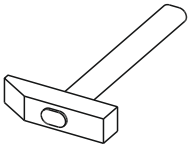
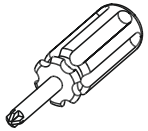
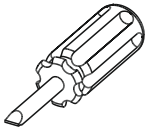
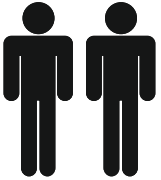
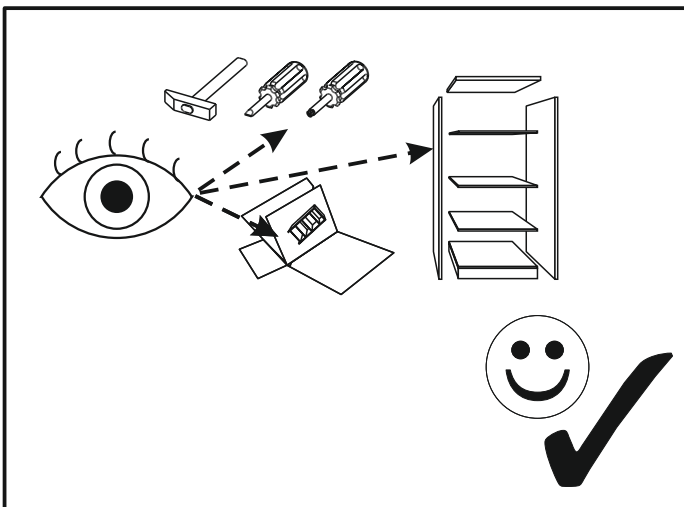
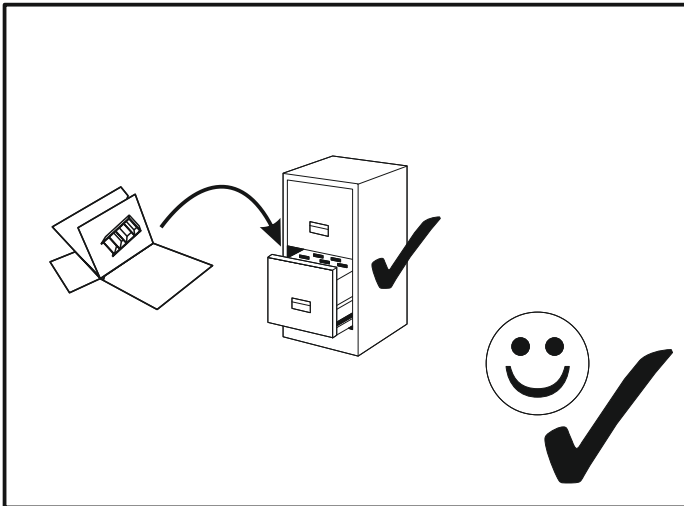
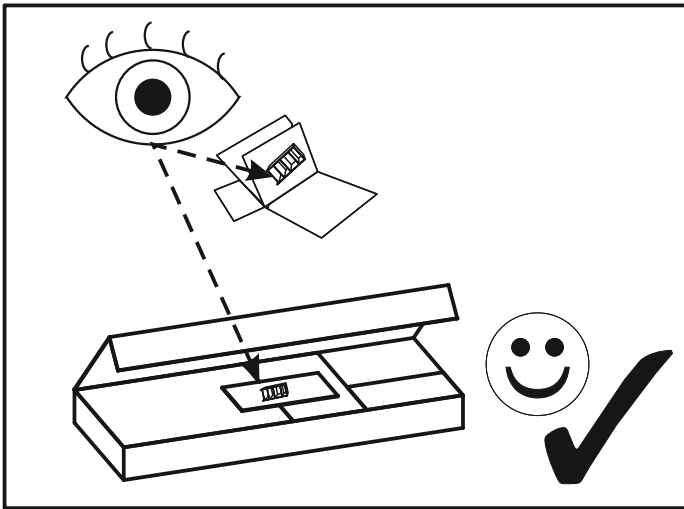
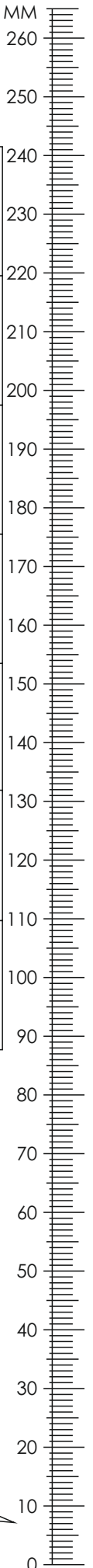



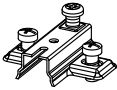
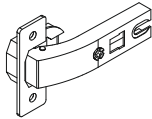


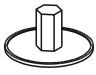



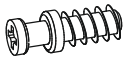


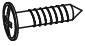


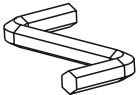

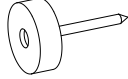

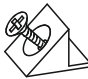
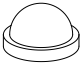
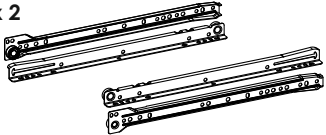
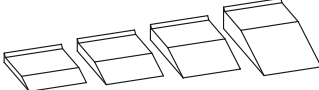
# ANGEL 33

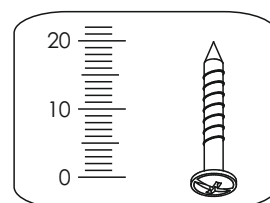




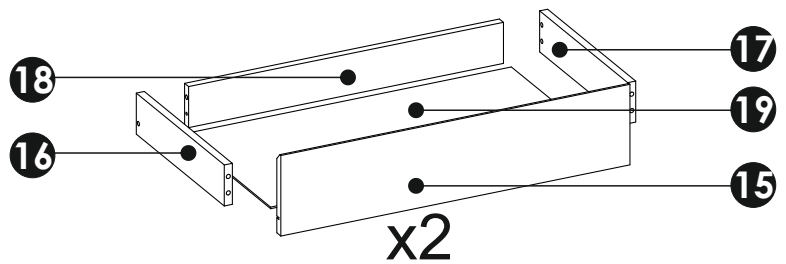
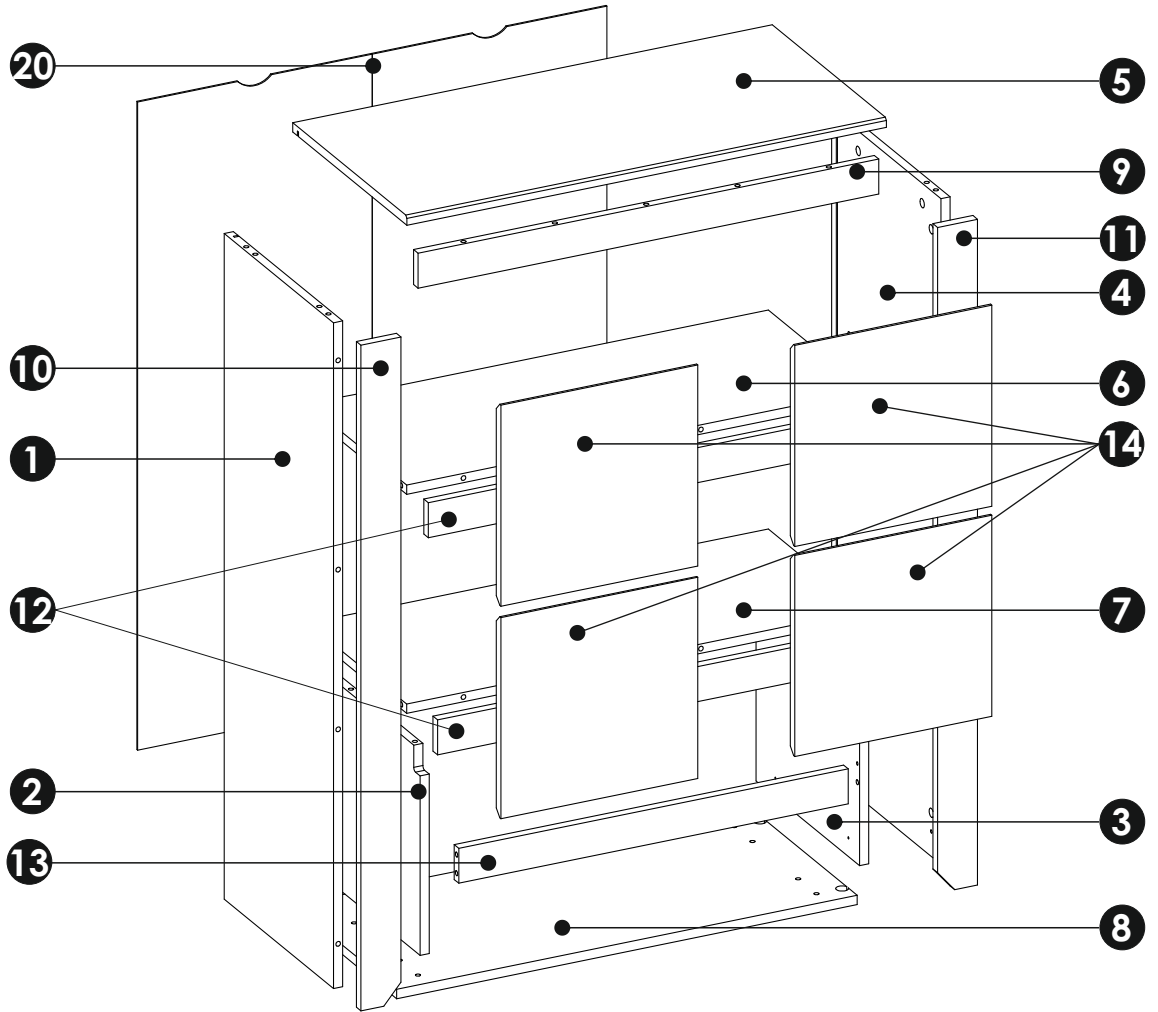
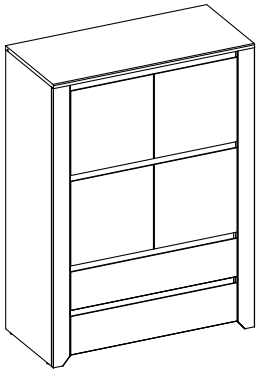
# ANGEL 33



<p><b>A1</b> x 32 <math>\varnothing</math>8 x 35 mm</p> 	<p><b>BR2</b> x 8</p> 	<p><b>BR3</b> x 8</p> 
<p><b>C1</b> x 16 4 x 13 mm</p> 	<p><b>C2</b> x8 5 x 13 mm</p> 	<p><b>E0</b> x 41</p> 
<p><b>E1</b> x 41 <math>\varnothing</math>15 x 12 mm</p> 	<p><b>E2</b> x 4</p> 	<p><b>F1</b> x 41</p> 
<p><b>F2</b> x 4</p> 	<p><b>G0</b> x 8</p> 	<p><b>G1</b> x8 <math>\varnothing</math>7 x 50 mm</p> 
<p><b>I2</b> x 2 4 x 16 mm</p> 	<p><b>I5</b> x 2 3,5 x 30mm</p> 	<p><b>J1</b> x 12 3 x 20mm</p> 
<p><b>M</b> x 1</p> 	<p><b>N1</b> x 30 3 x 16 mm</p> 	<p><b>O2</b> x 4</p> 
<p><b>Q9</b> x 2</p> 	<p><b>R4</b> x 15</p> 	<p><b>R10</b> x 12</p> 
<p><b>T3</b> x 2</p> 	<p><b>Z</b> x 1</p> 	



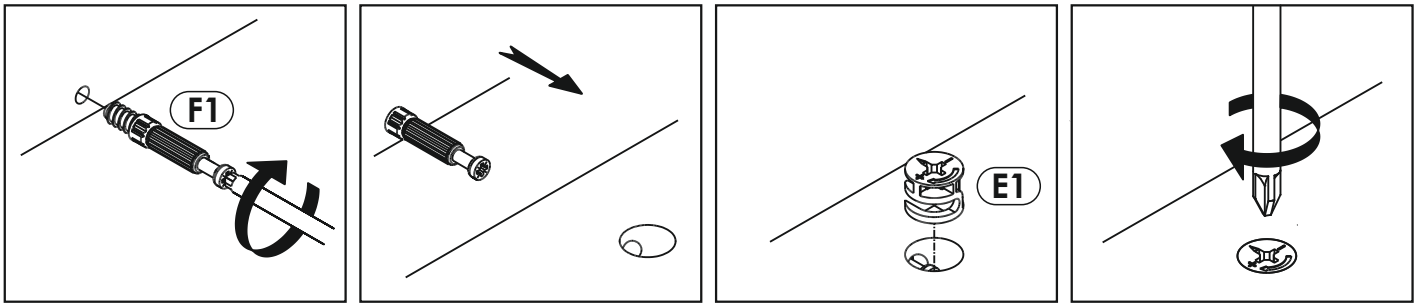
# ANGEL 33



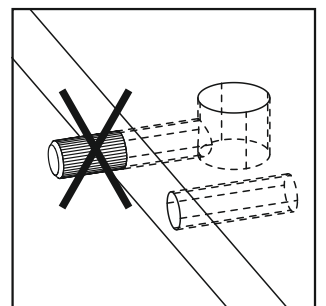
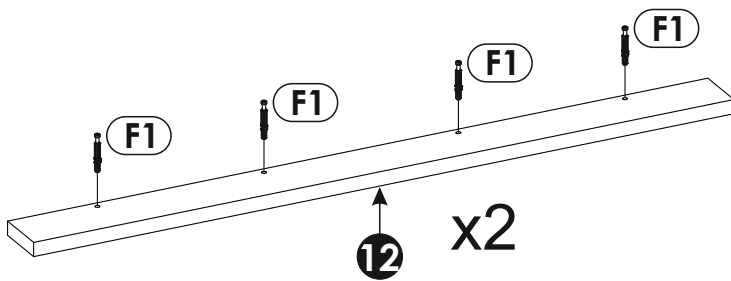
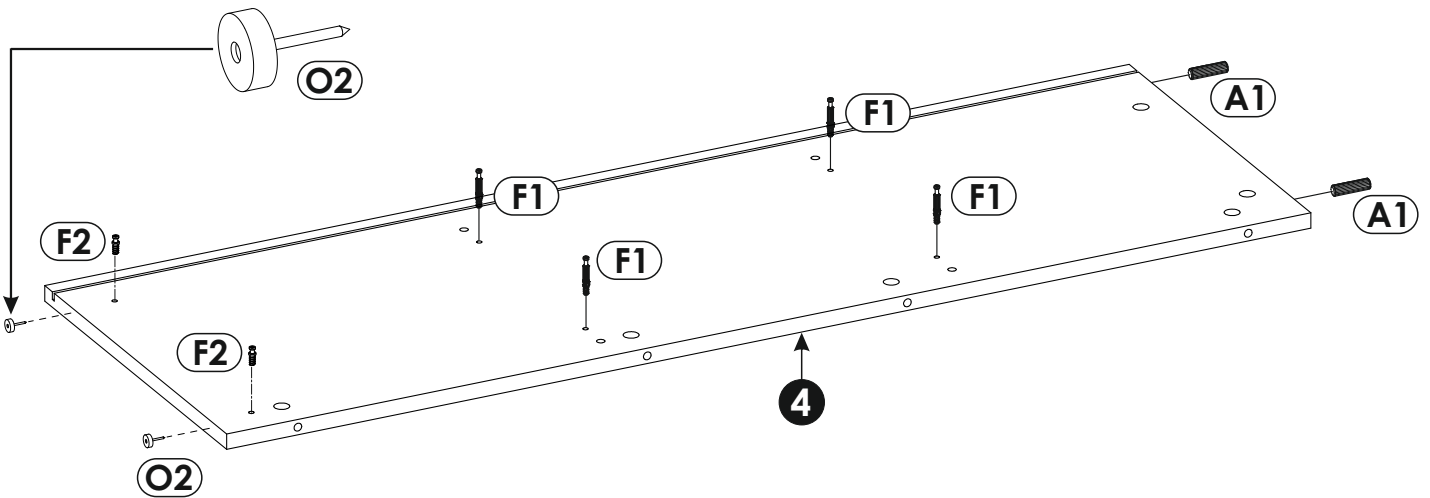
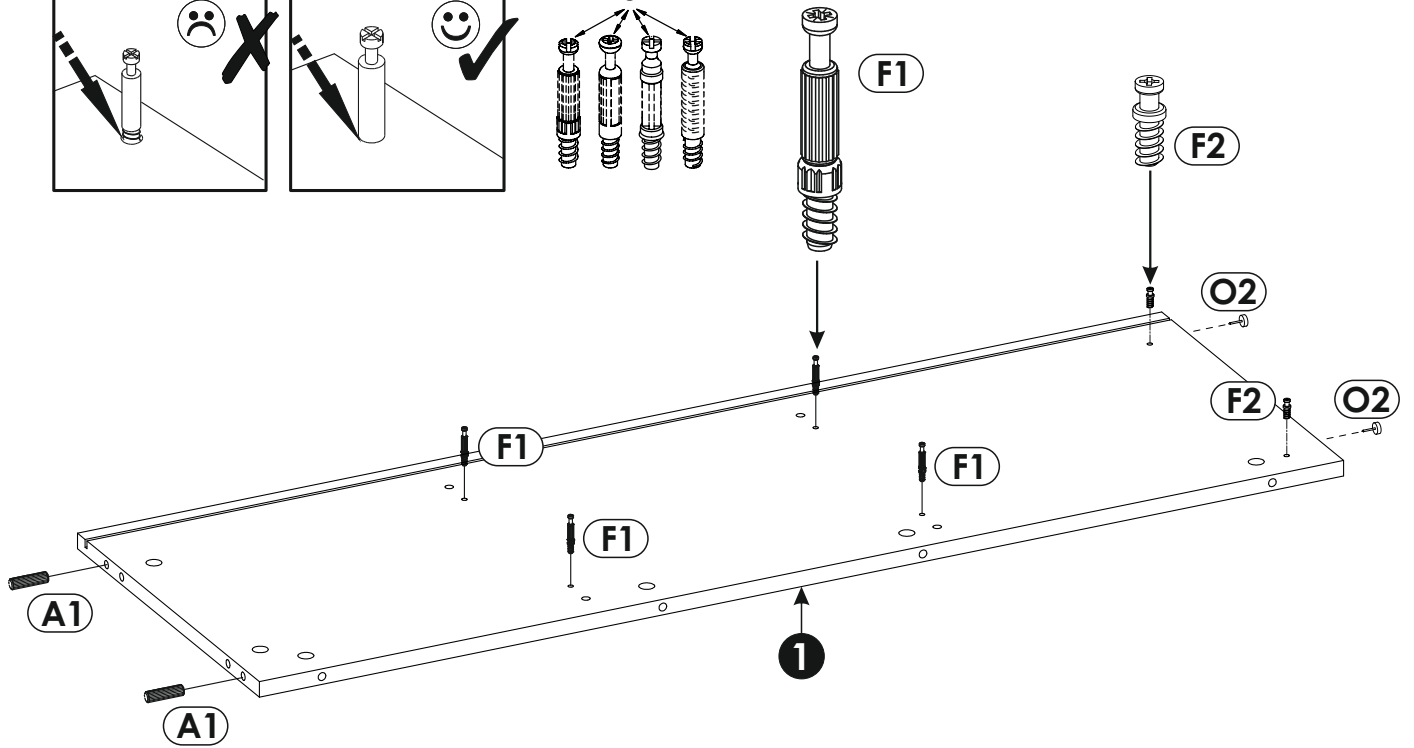
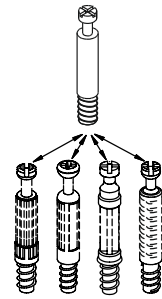
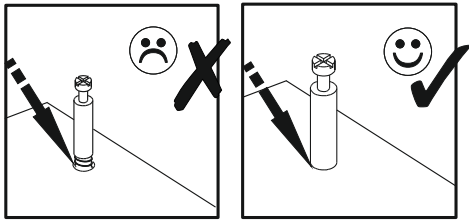
<b>1</b>	1142	383	16	x1	2/2
<b>2</b>	363	352	16	x1	1/2
<b>3</b>	363	352	16	x1	1/2
<b>4</b>	1142	383	16	x1	2/2
<b>5</b>	840	402	16	x1	1/2
<b>6</b>	807	347	16	x1	1/2
<b>7</b>	807	347	16	x1	1/2

<b>8</b>	807	363	16	x1	1/2
<b>9</b>	807	60	16	x1	2/2
<b>10</b>	1142	70	16	x1	2/2
<b>11</b>	1142	70	16	x1	2/2
<b>12</b>	807	60	16	x2	2/2
<b>13</b>	682	60	16	x1	2/2
<b>14</b>	345	345	16	x4	1/2

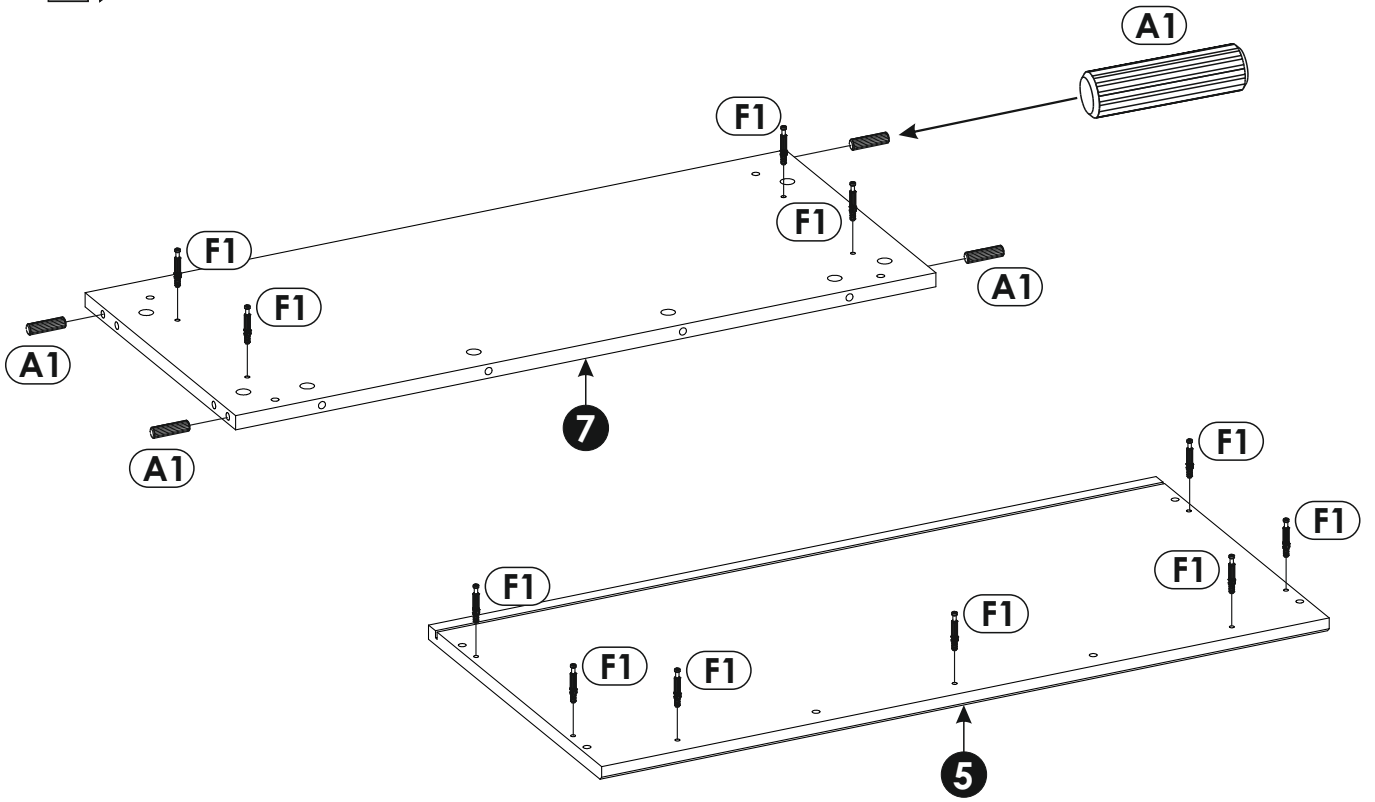
<b>15</b>	694	157	16	x2	1/2
<b>16</b>	350	80	16	x2	1/2
<b>17</b>	350	80	16	x2	1/2
<b>18</b>	626	80	16	x2	1/2
<b>19</b>	656	355	3	x2	1/2
<b>20</b>	1112	822	3	x1	2/2



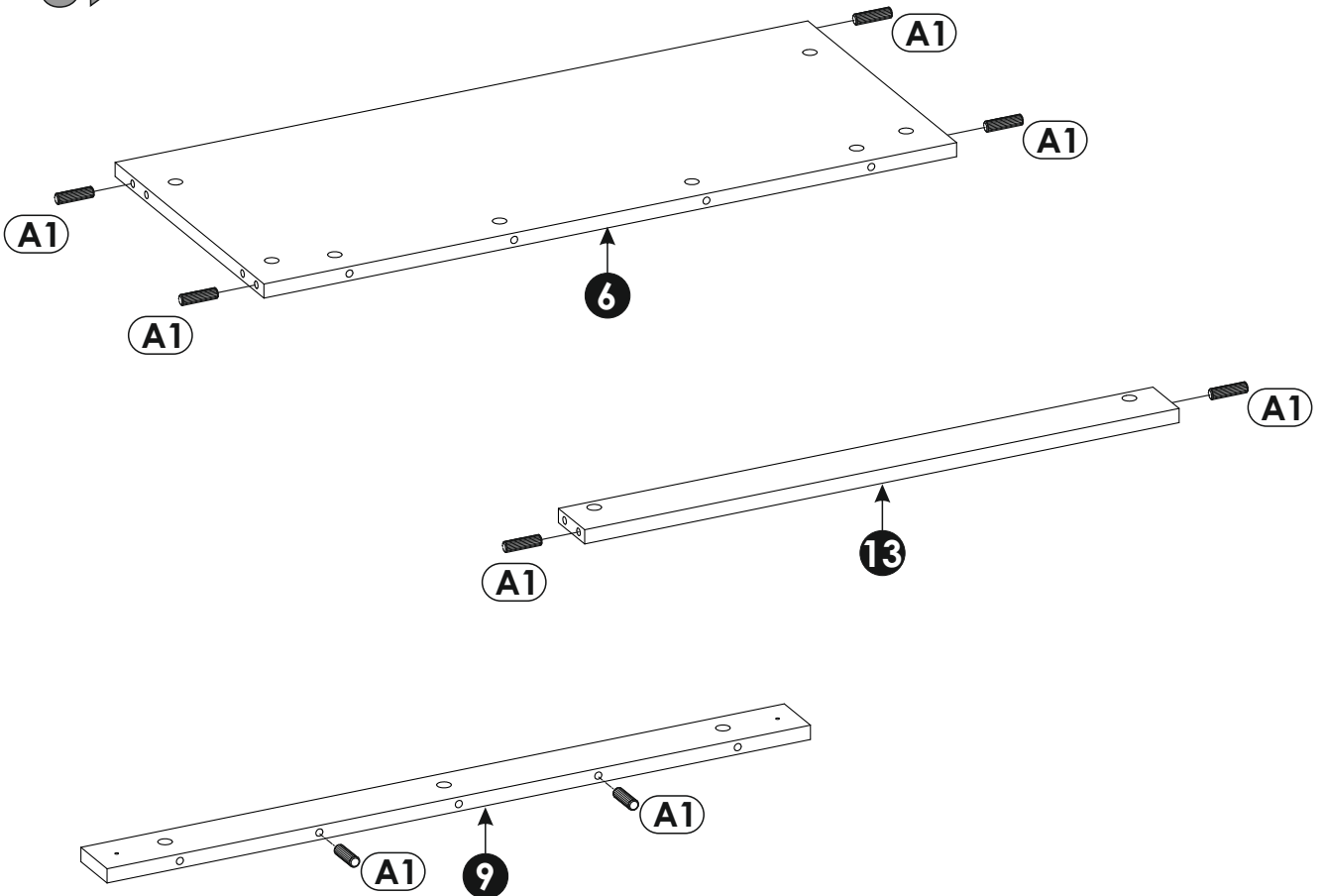
1 ▶



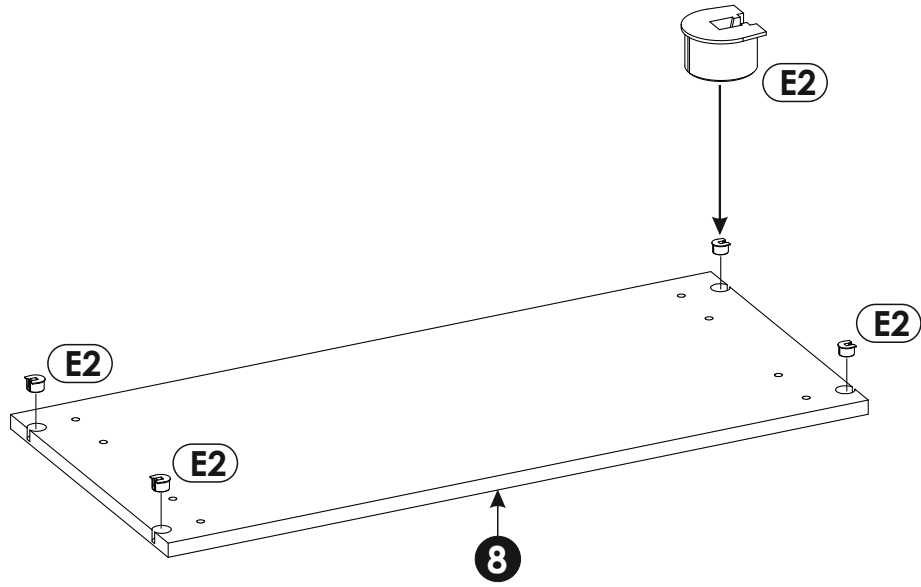
2 ▶



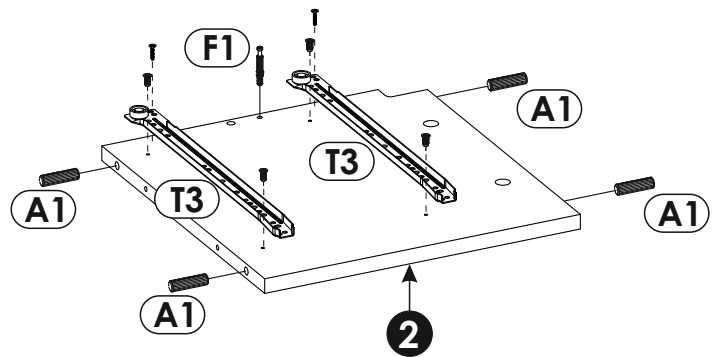
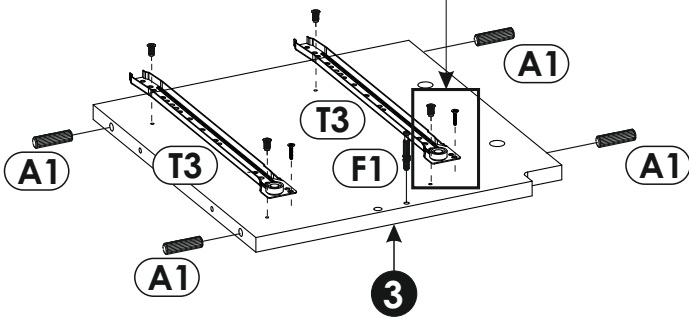
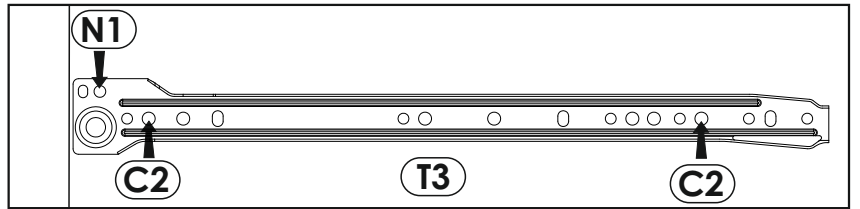
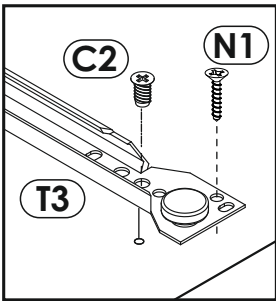
3 ▶



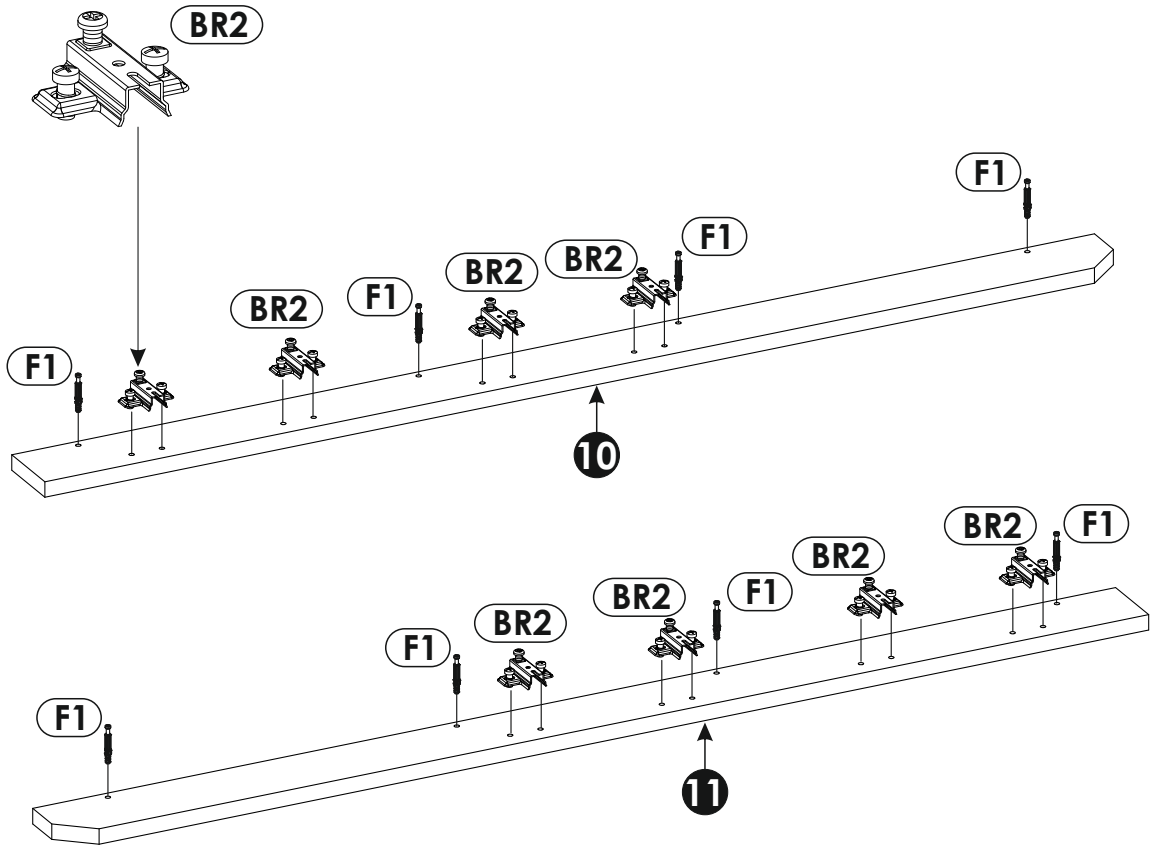
4 ▶



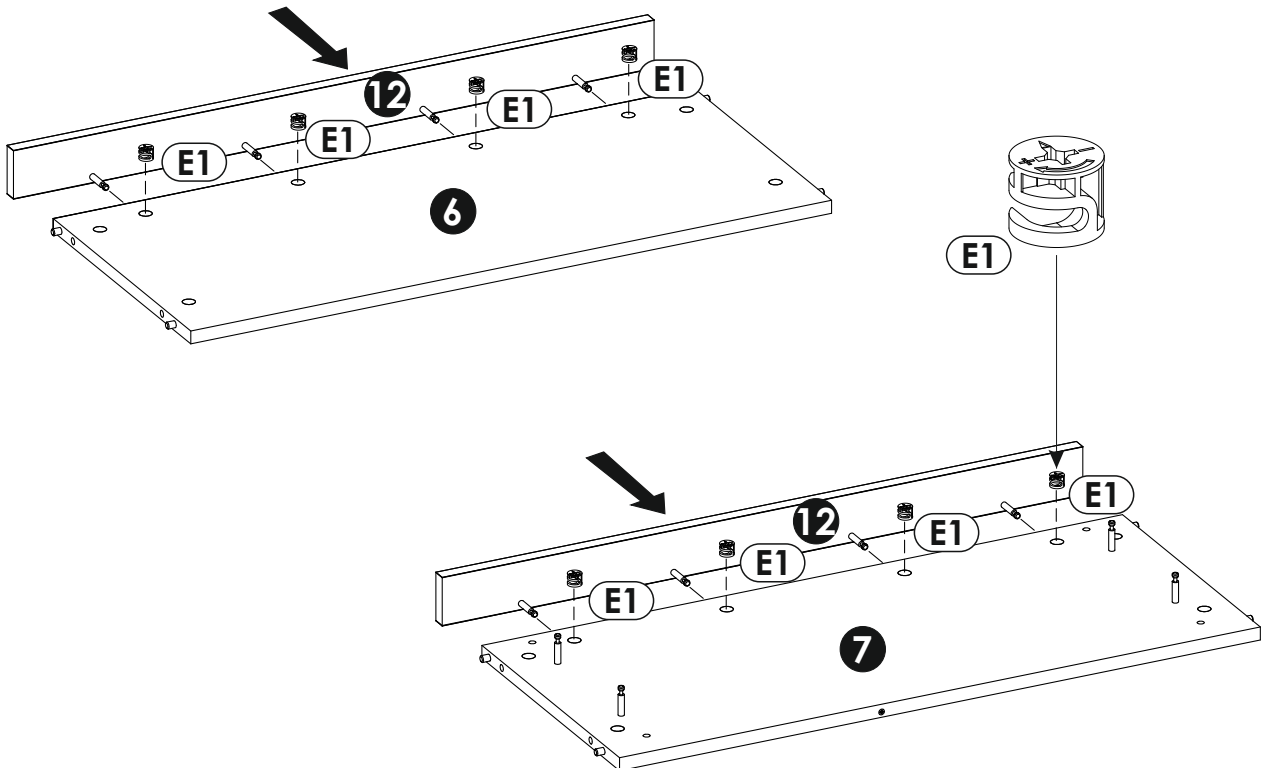
5 ▶



6 ▶

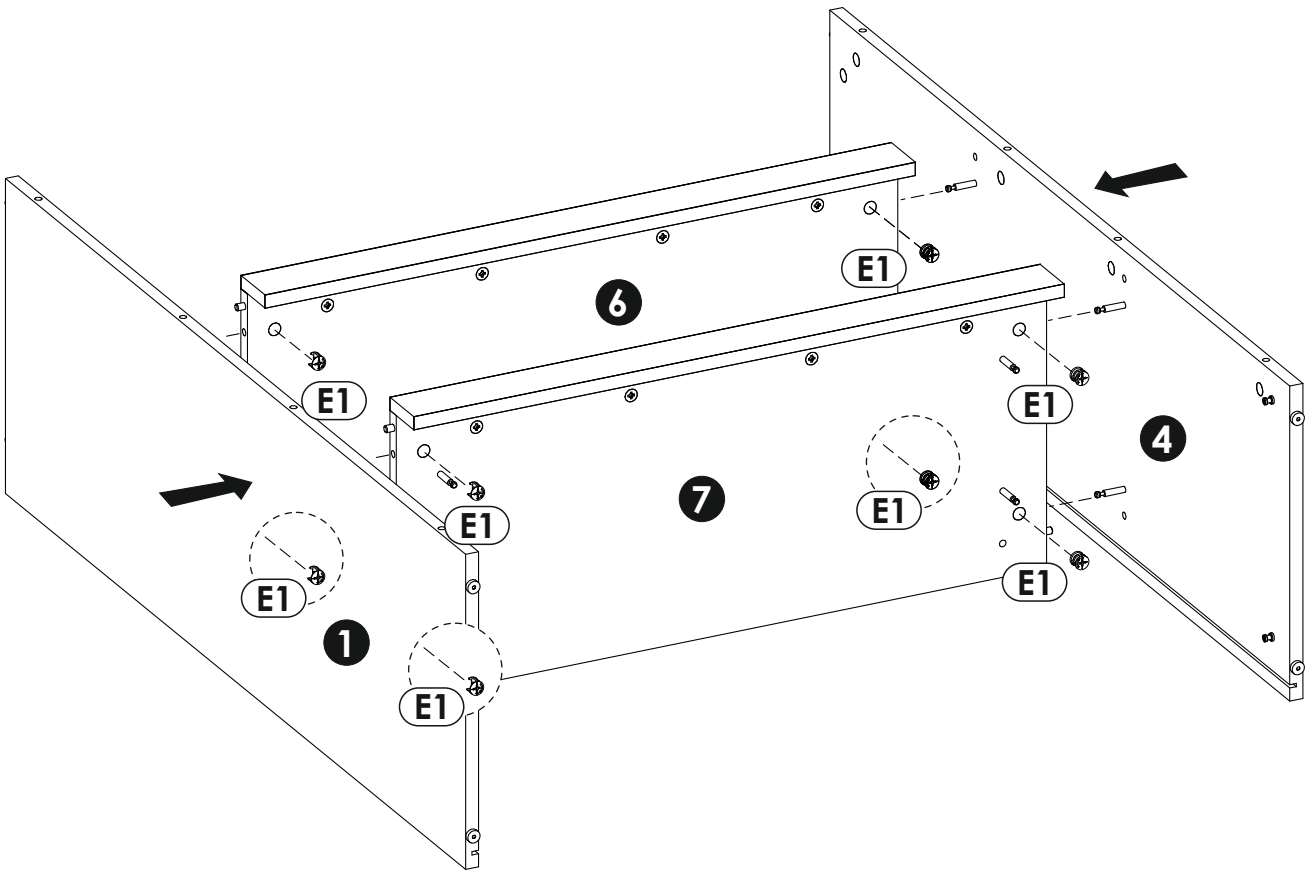


7 ▶

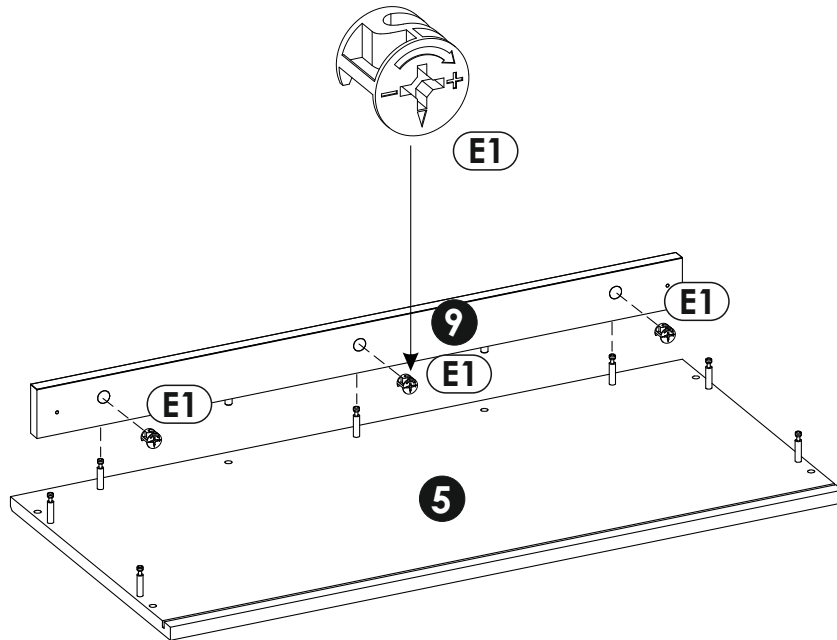




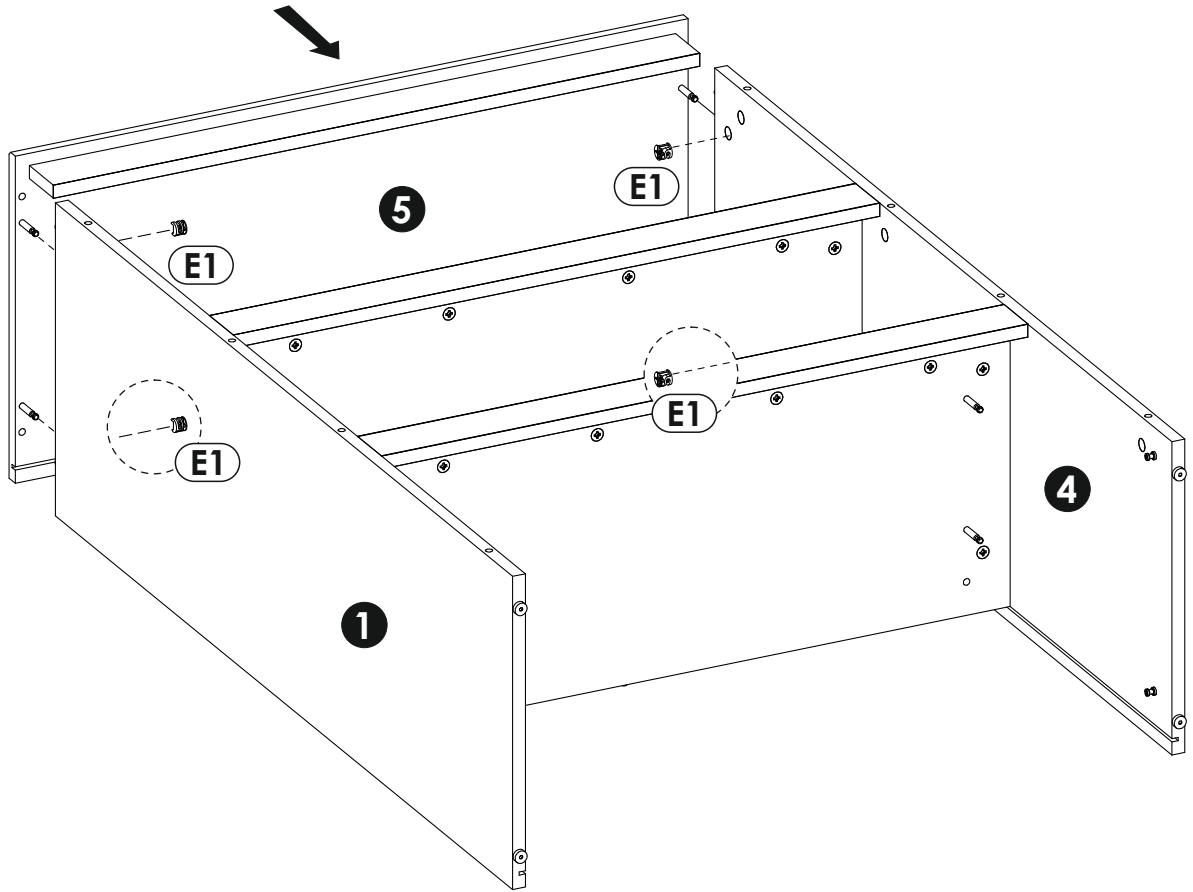
8 ▶



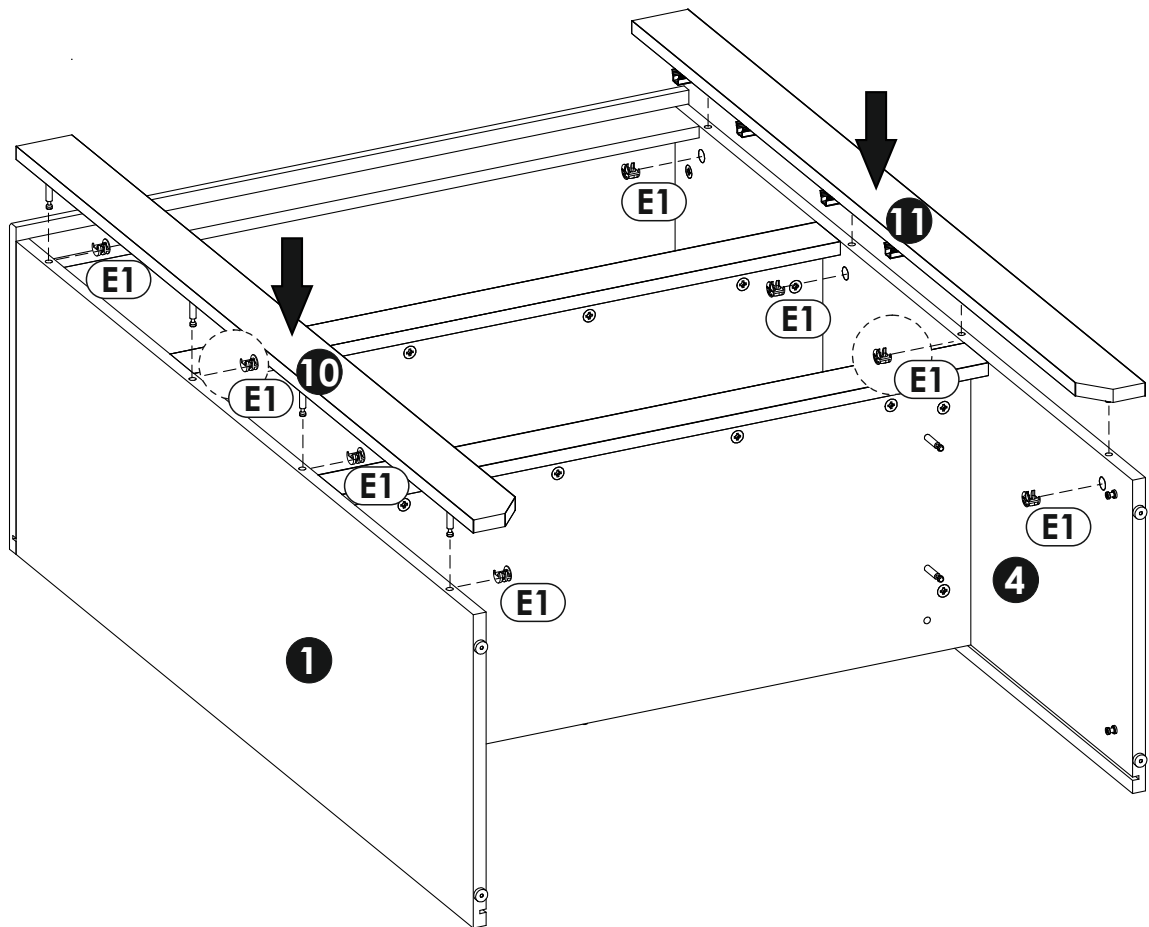
9 ▶



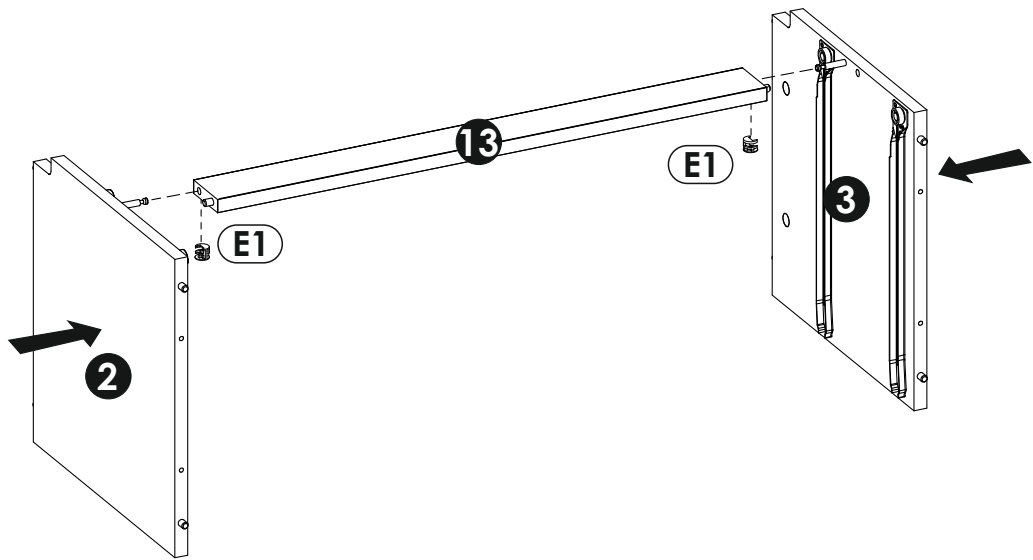
10 ▶



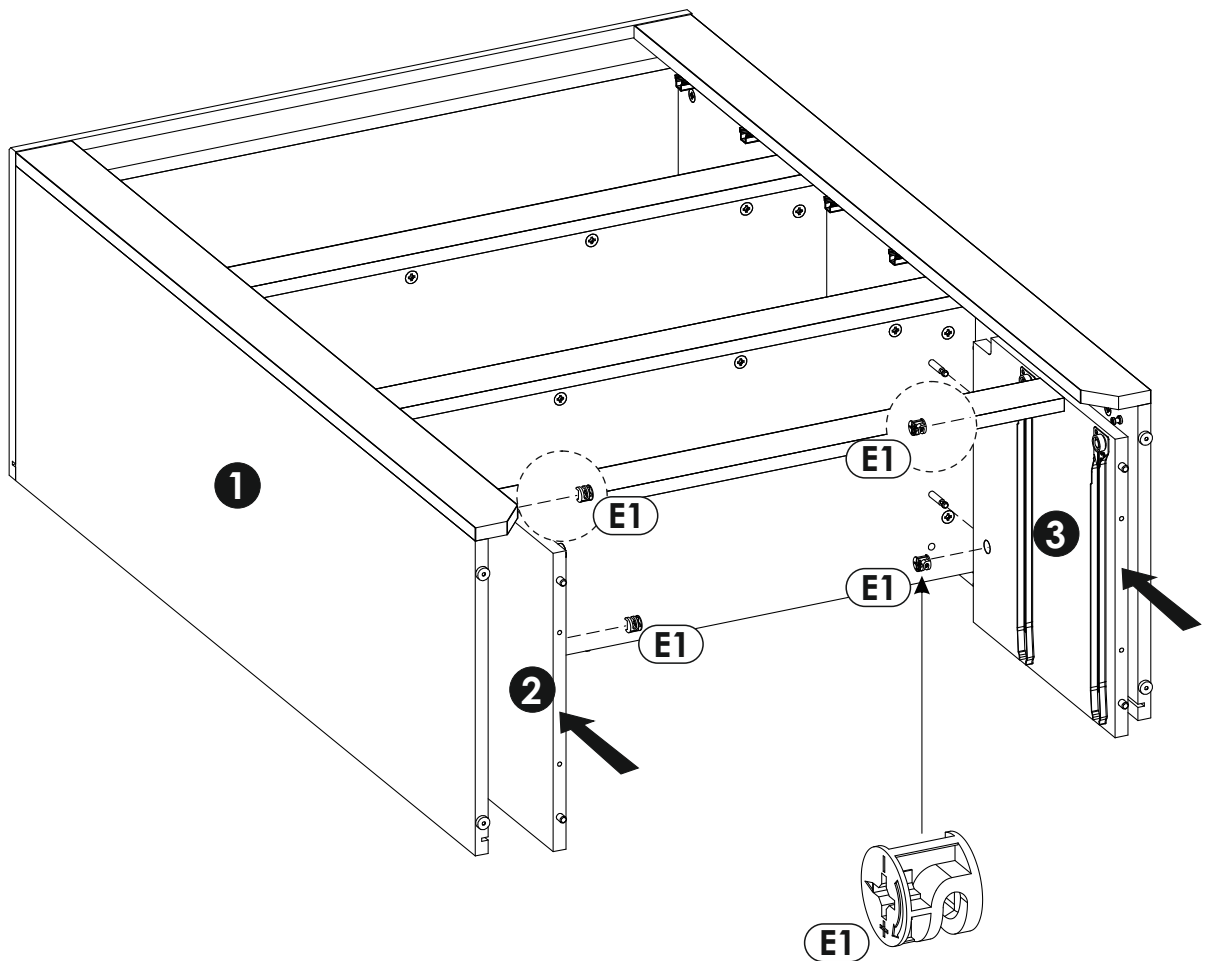
11 ▶



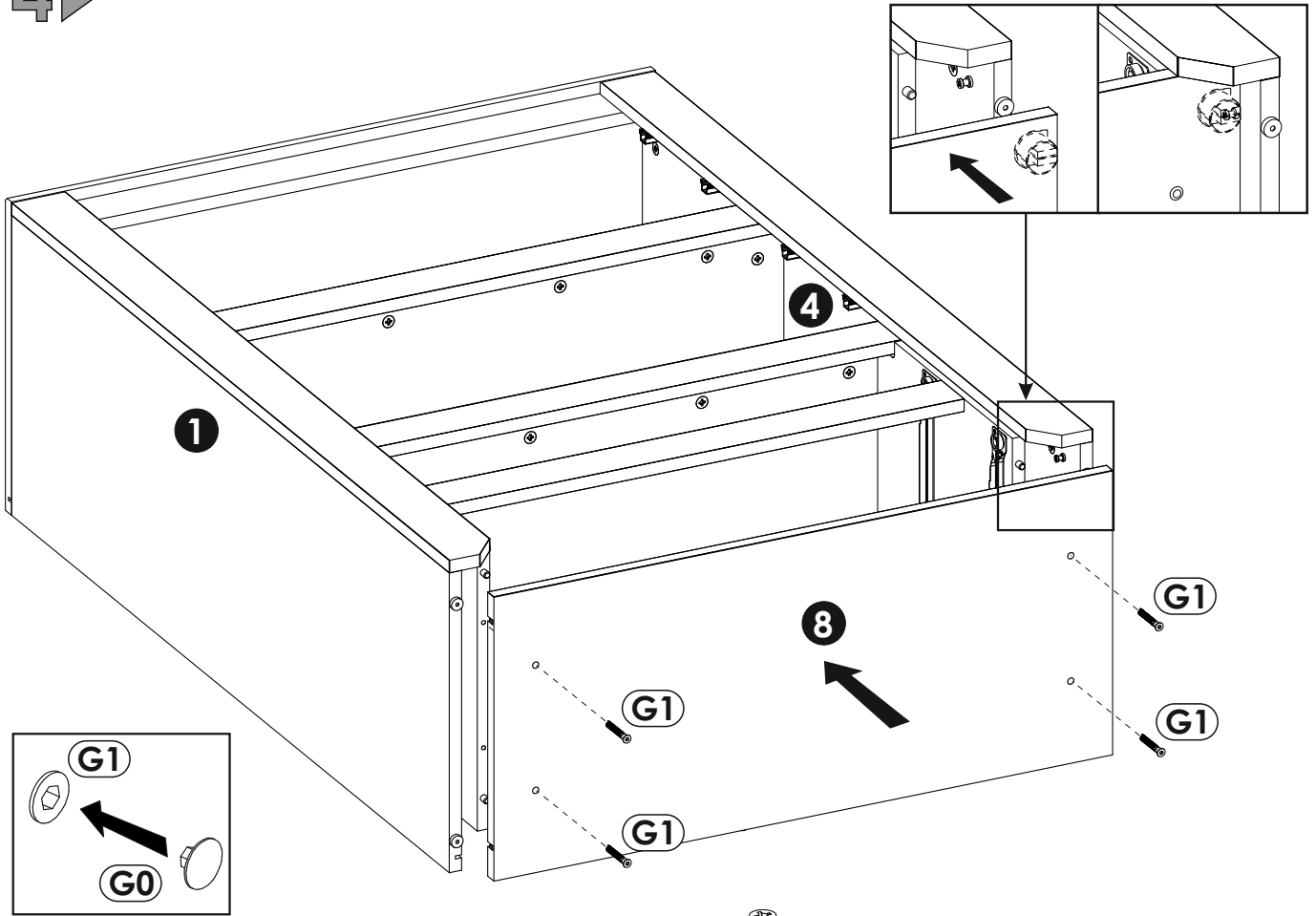
12▶



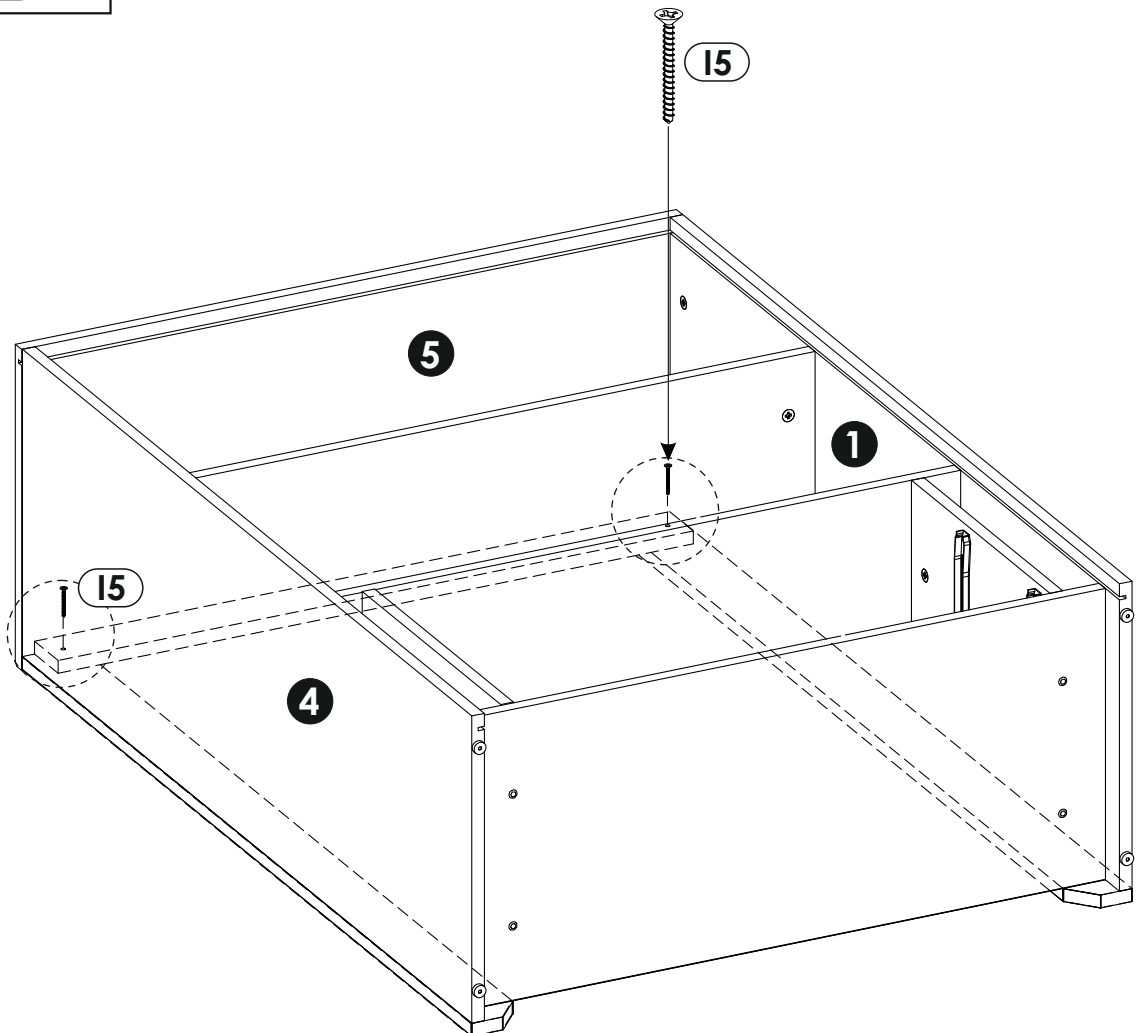
13▶



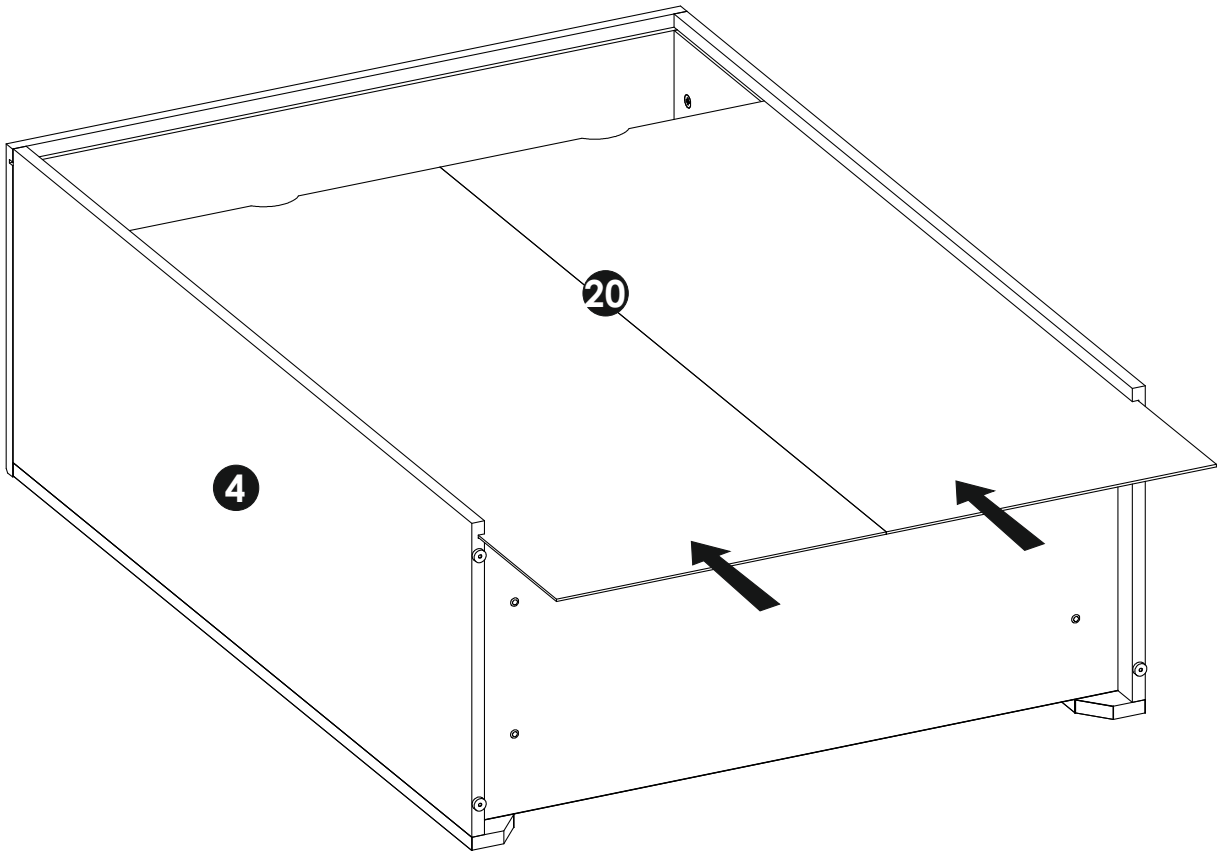
14▶



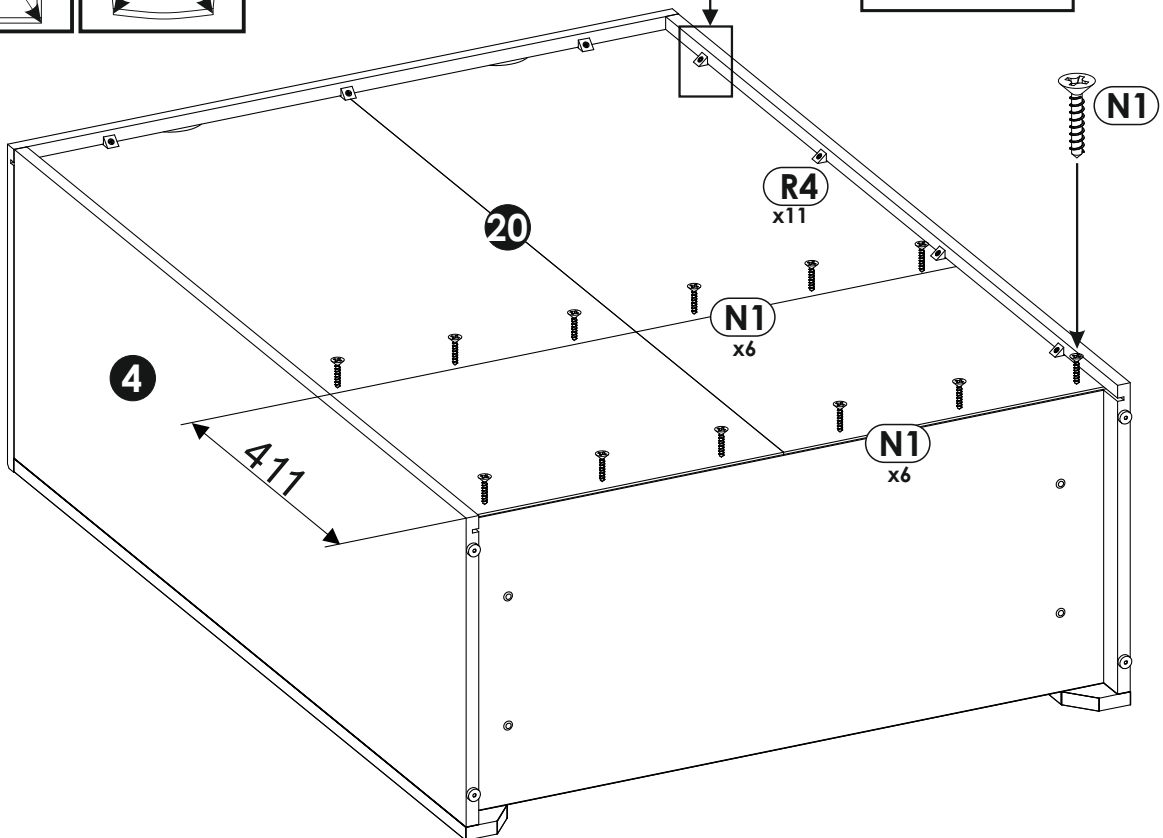
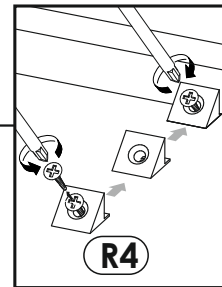
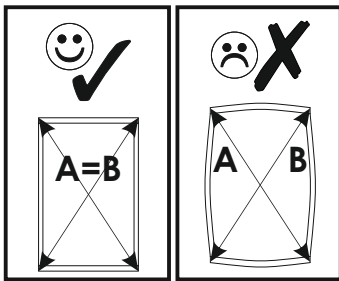
15▶

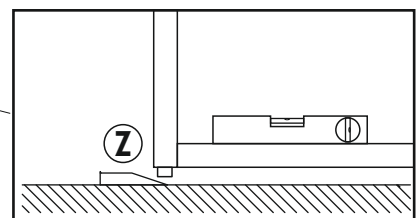
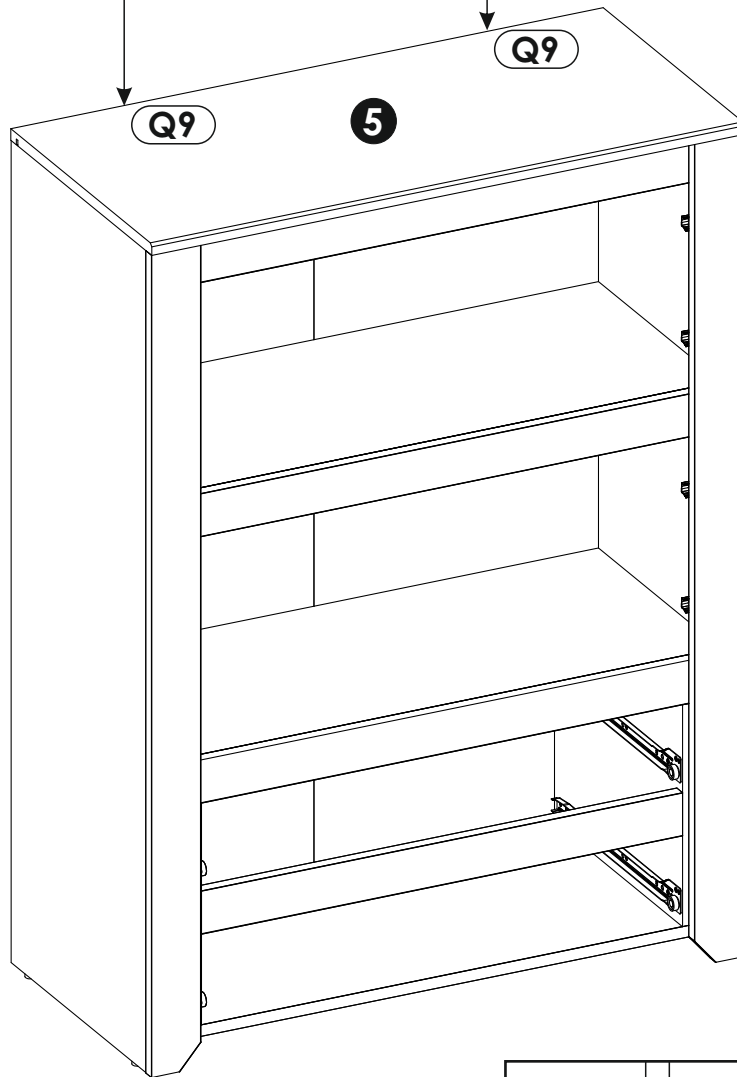
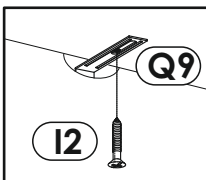
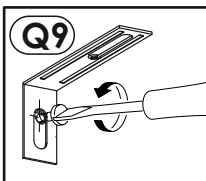
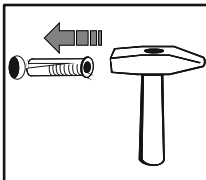
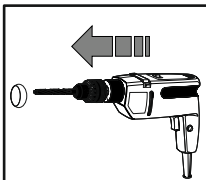
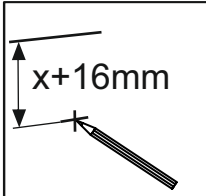
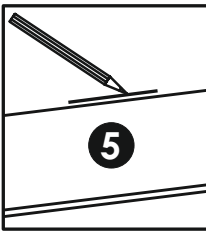
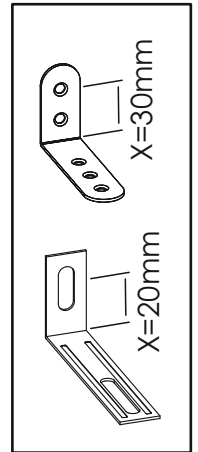
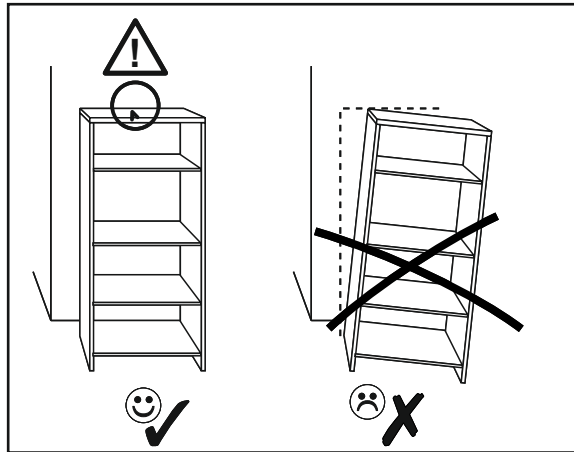


16▶

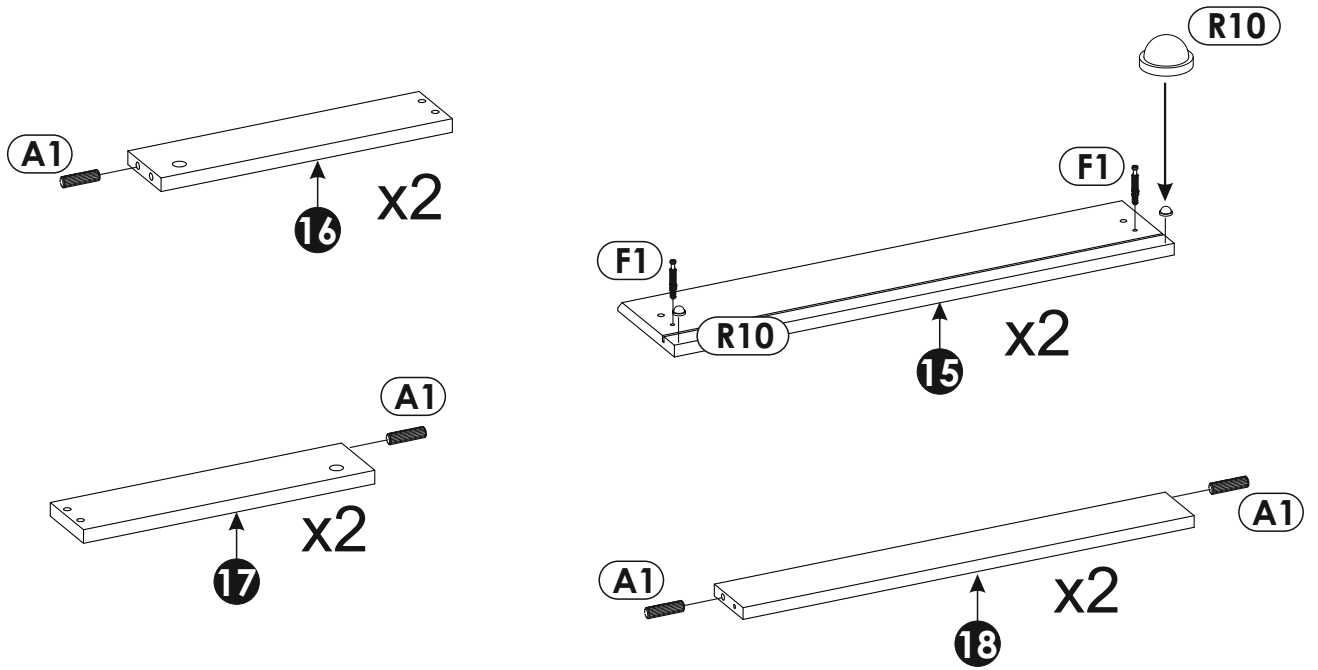


17▶

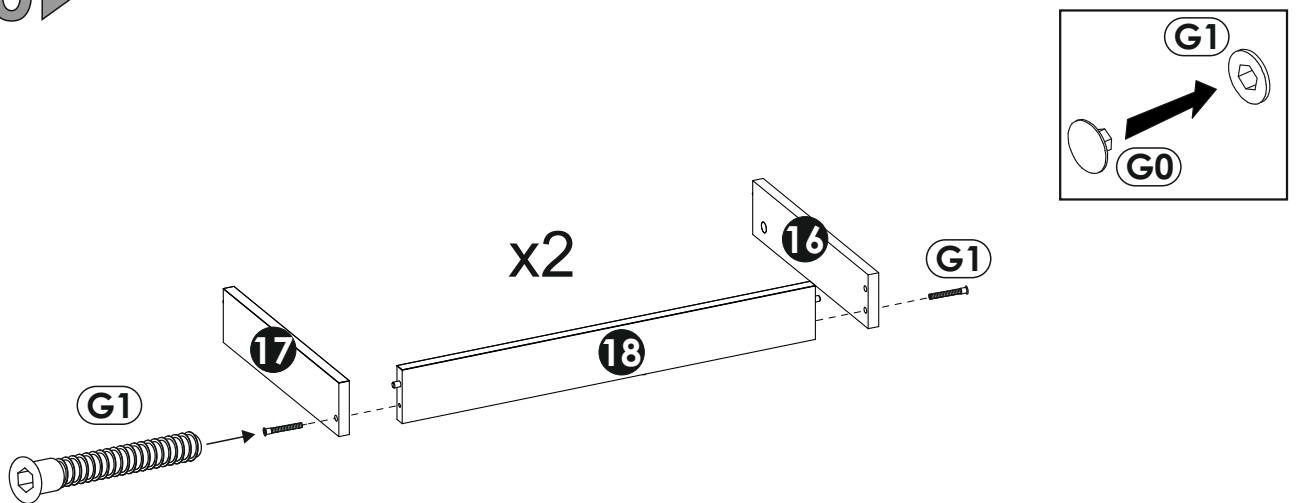




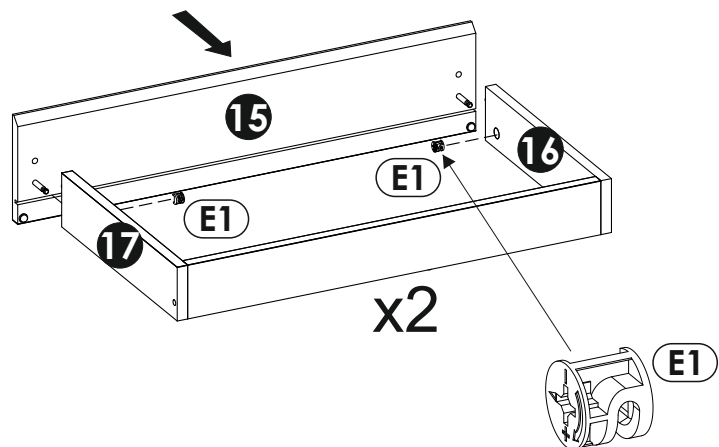
# 19 ▶



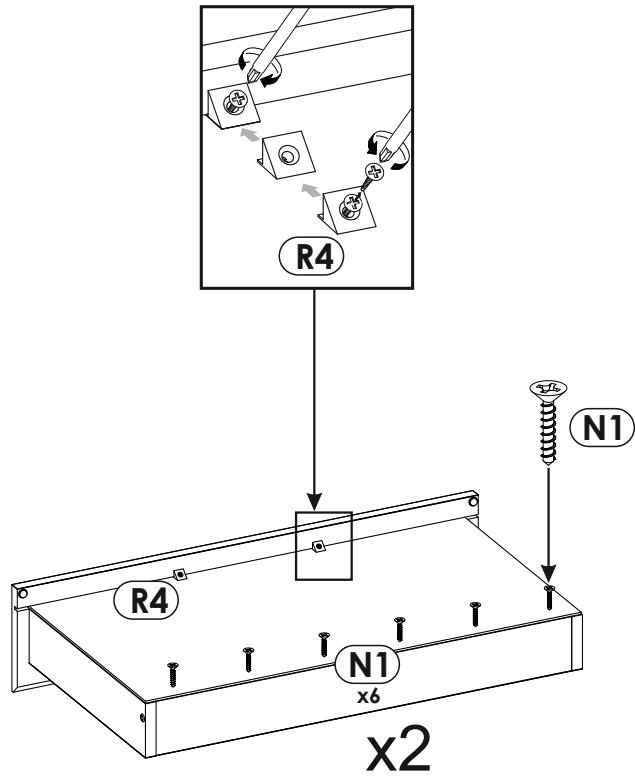
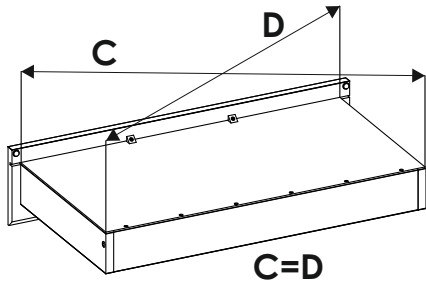
# 20 ▶



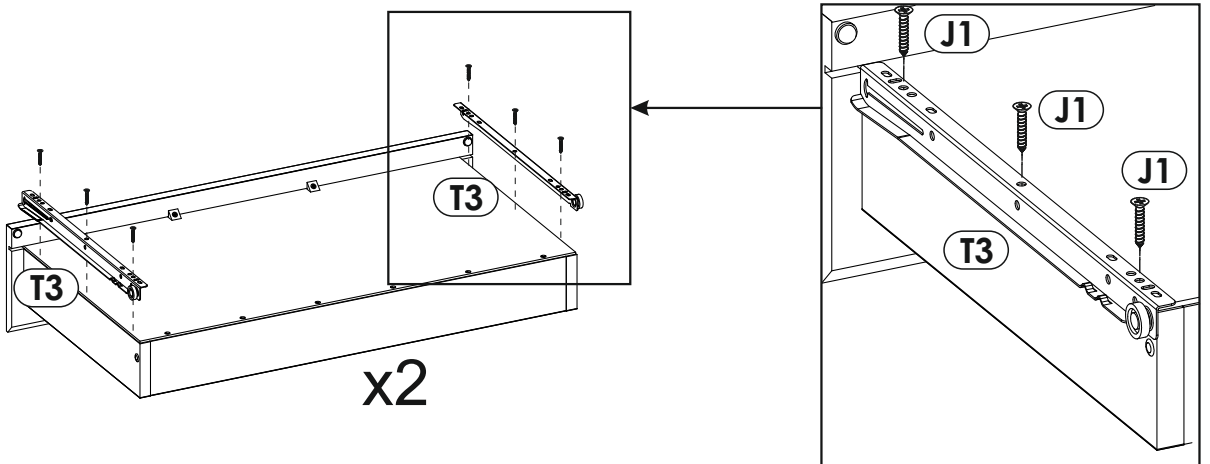
# 21 ▶



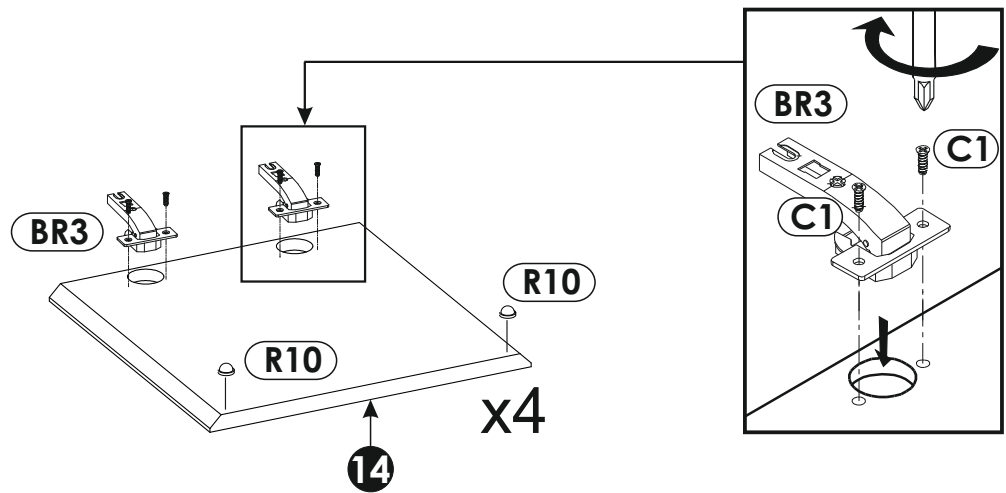
22▶



23▶



24▶





25 ▶

