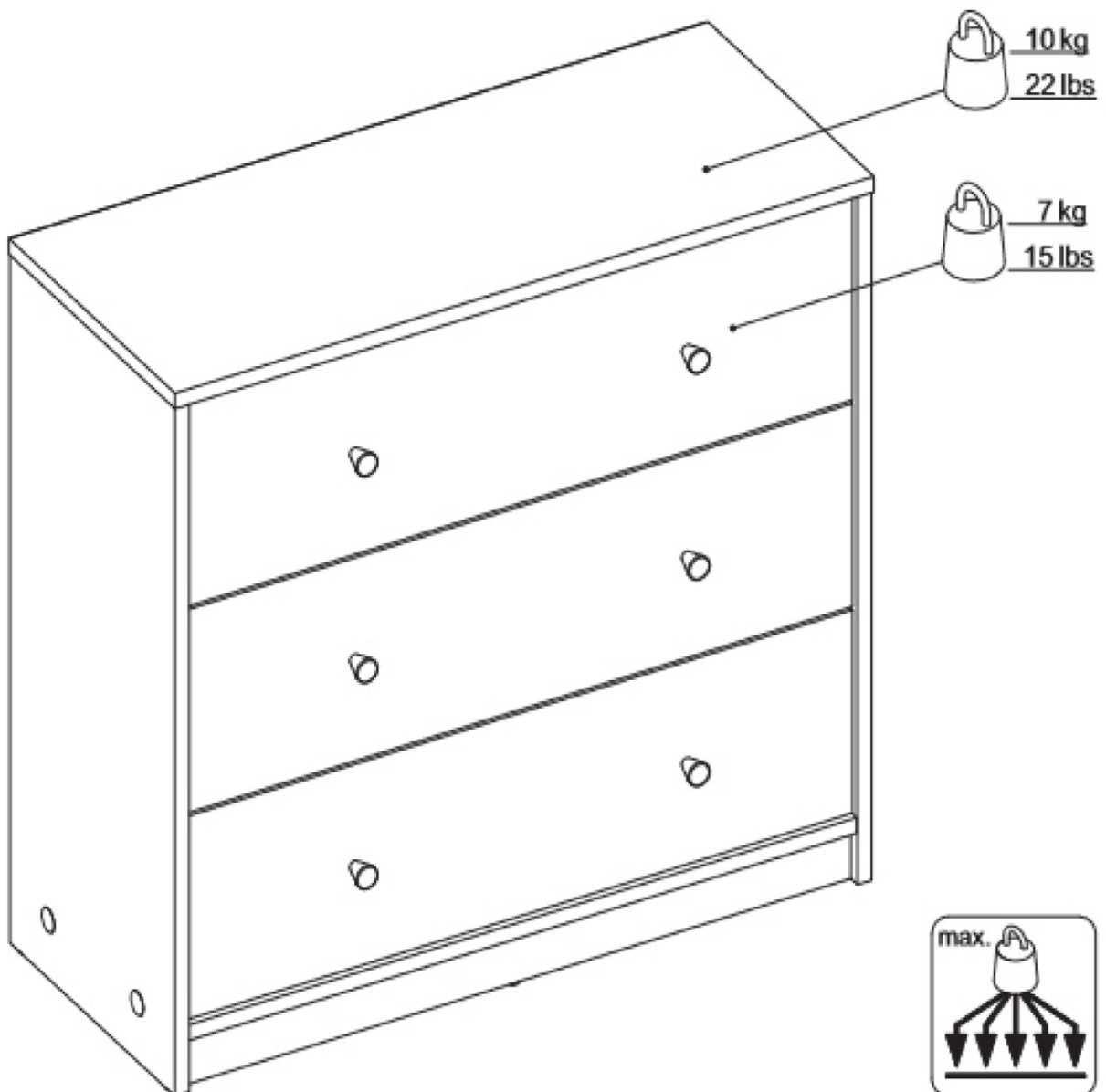
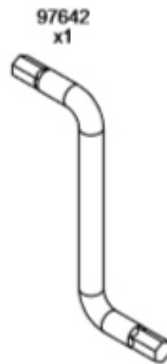
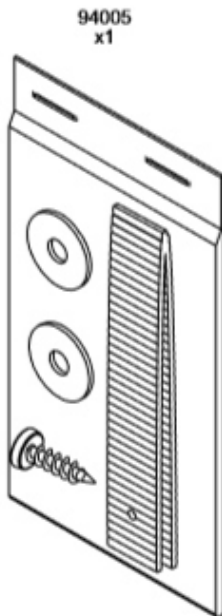
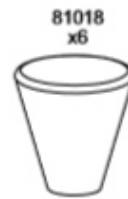
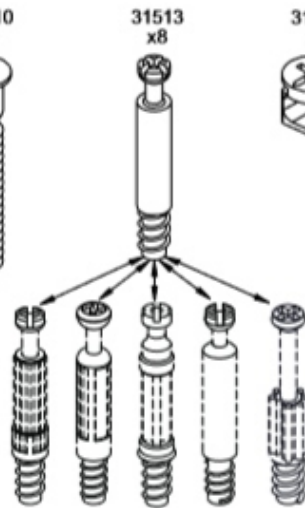
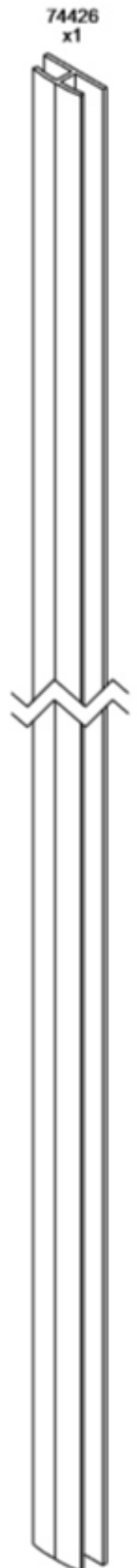
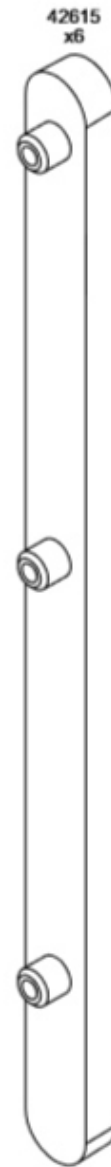
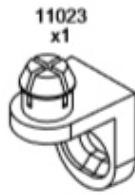
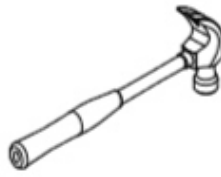
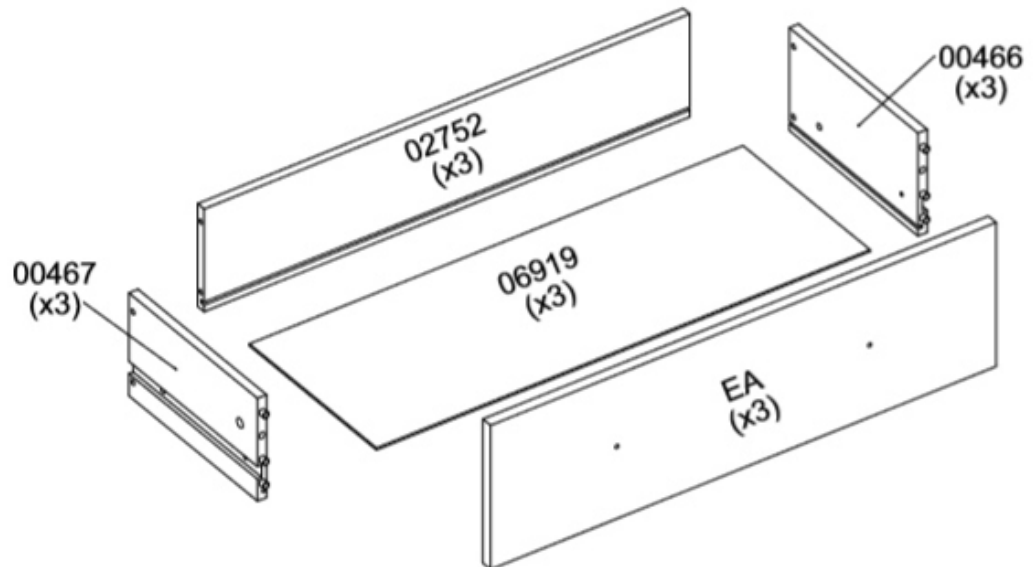
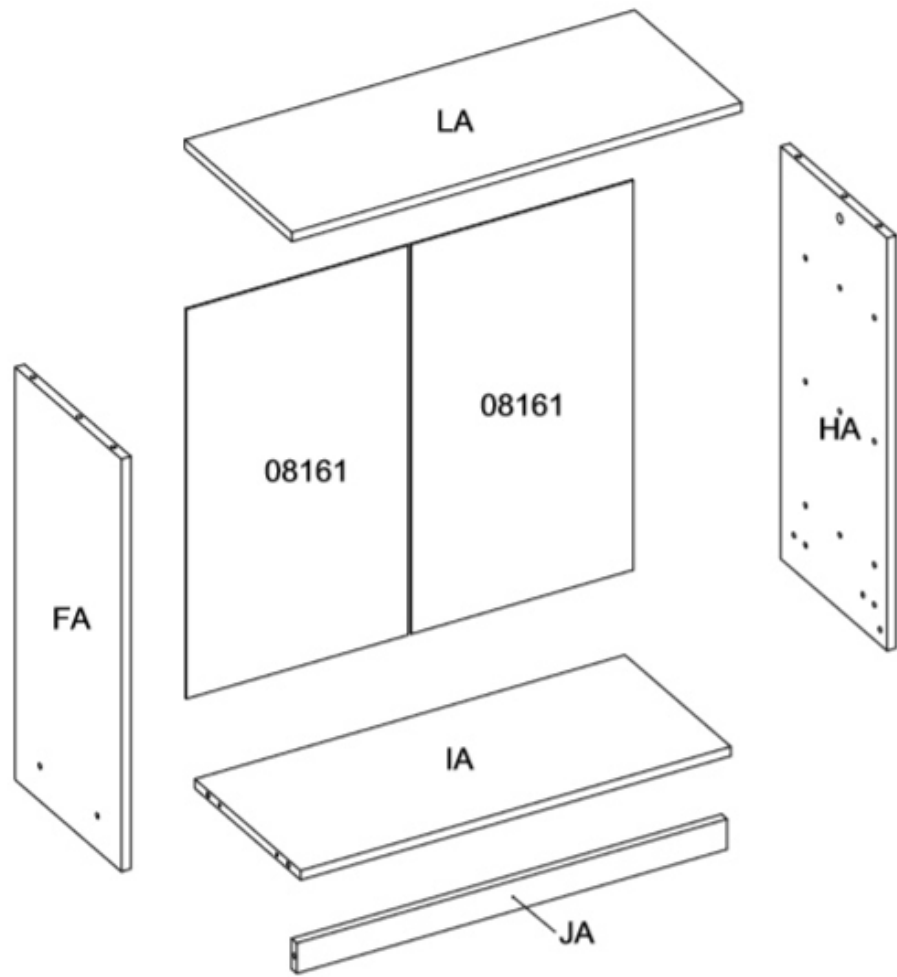
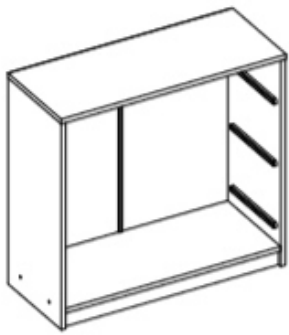


MAY 3







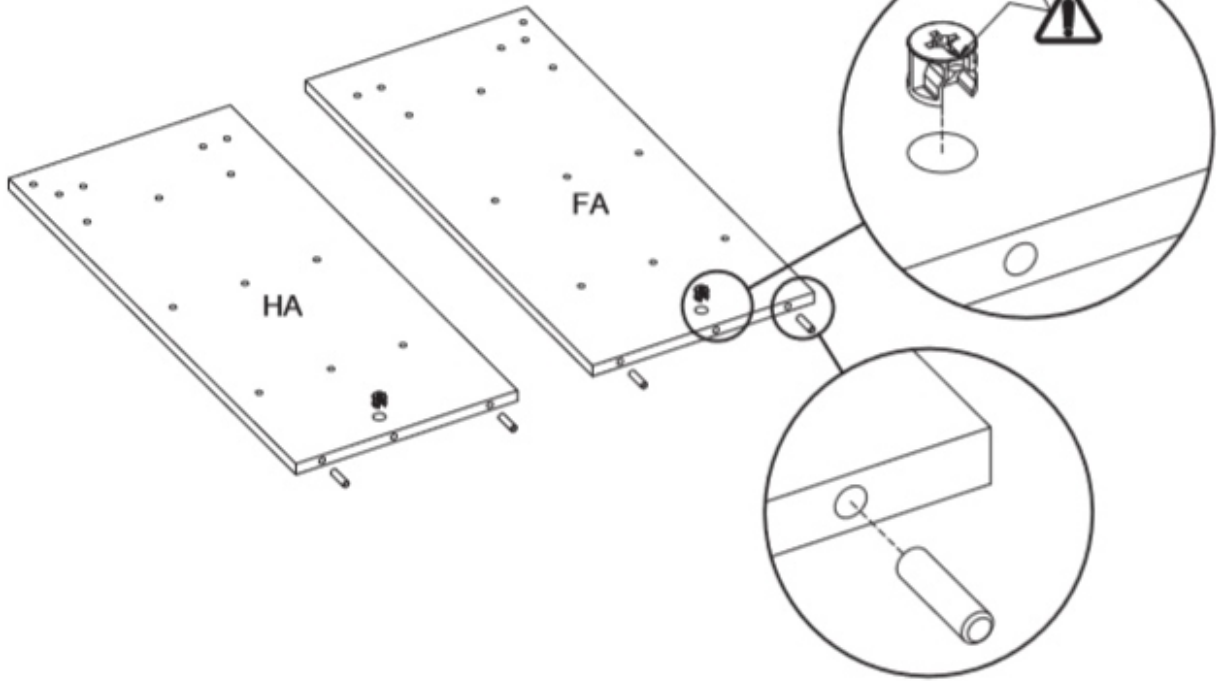
1



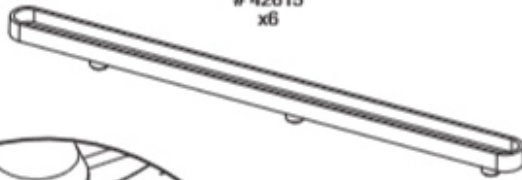
31643
x2



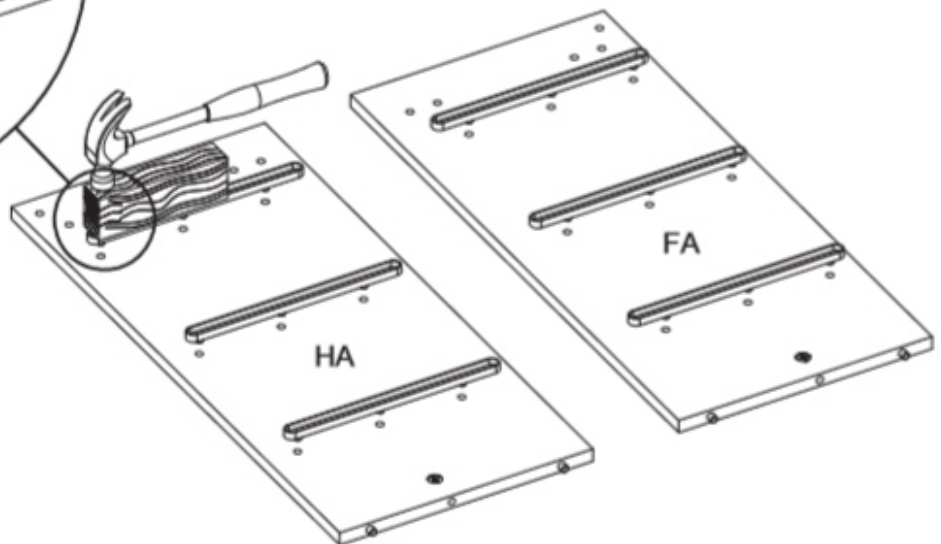
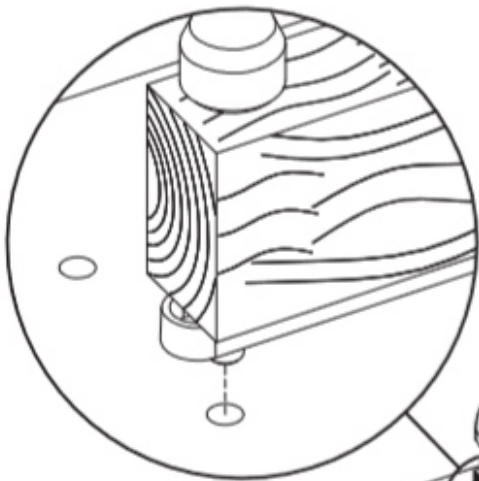
20209
x4



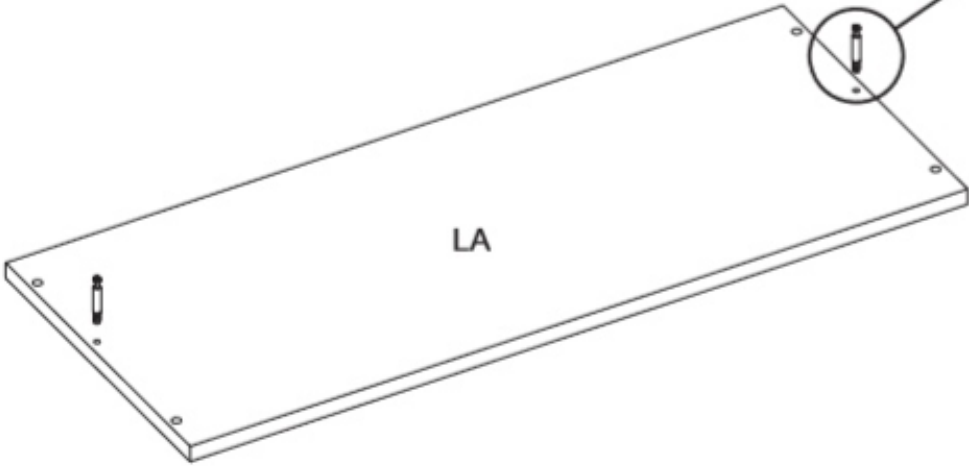
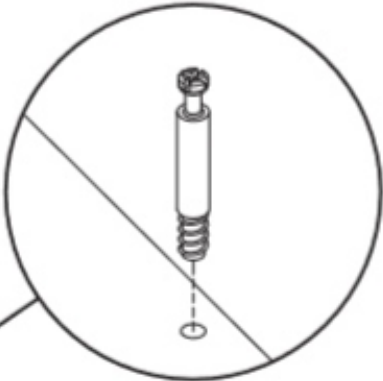
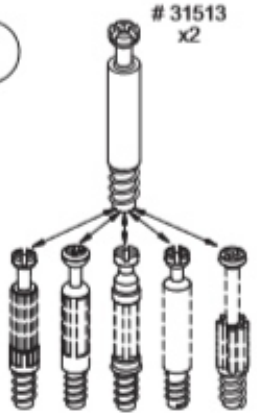
2



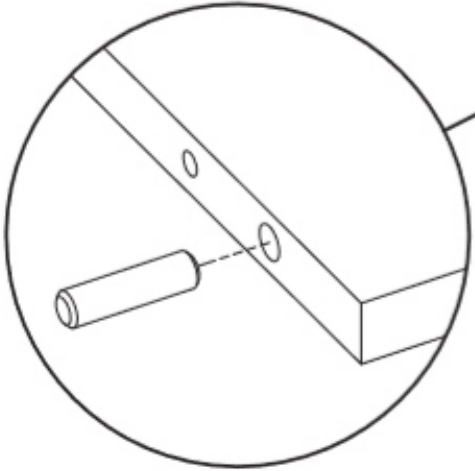
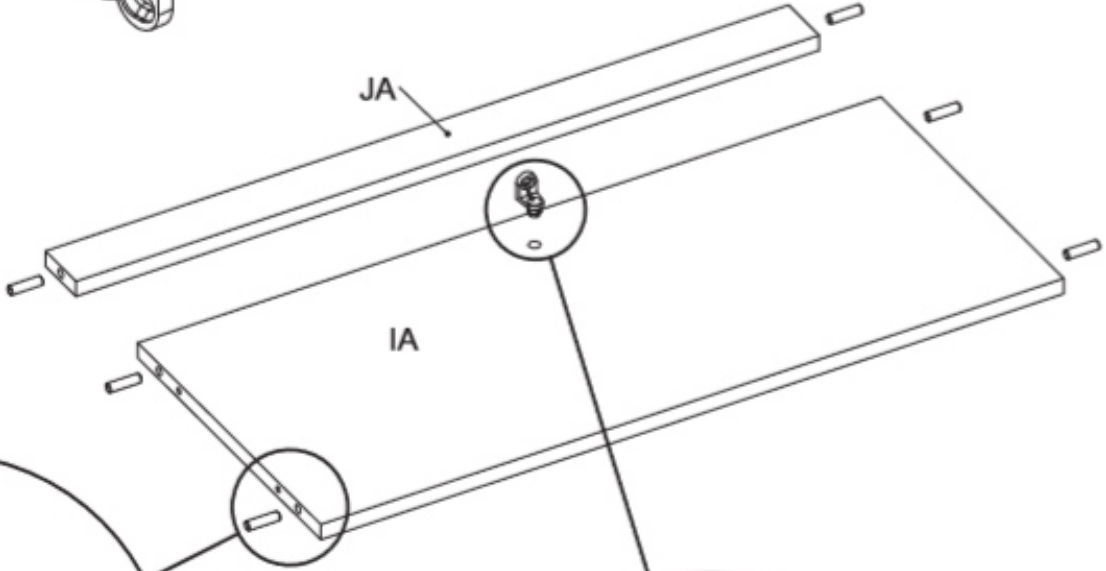
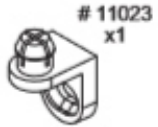
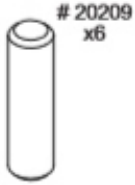
42615
x6



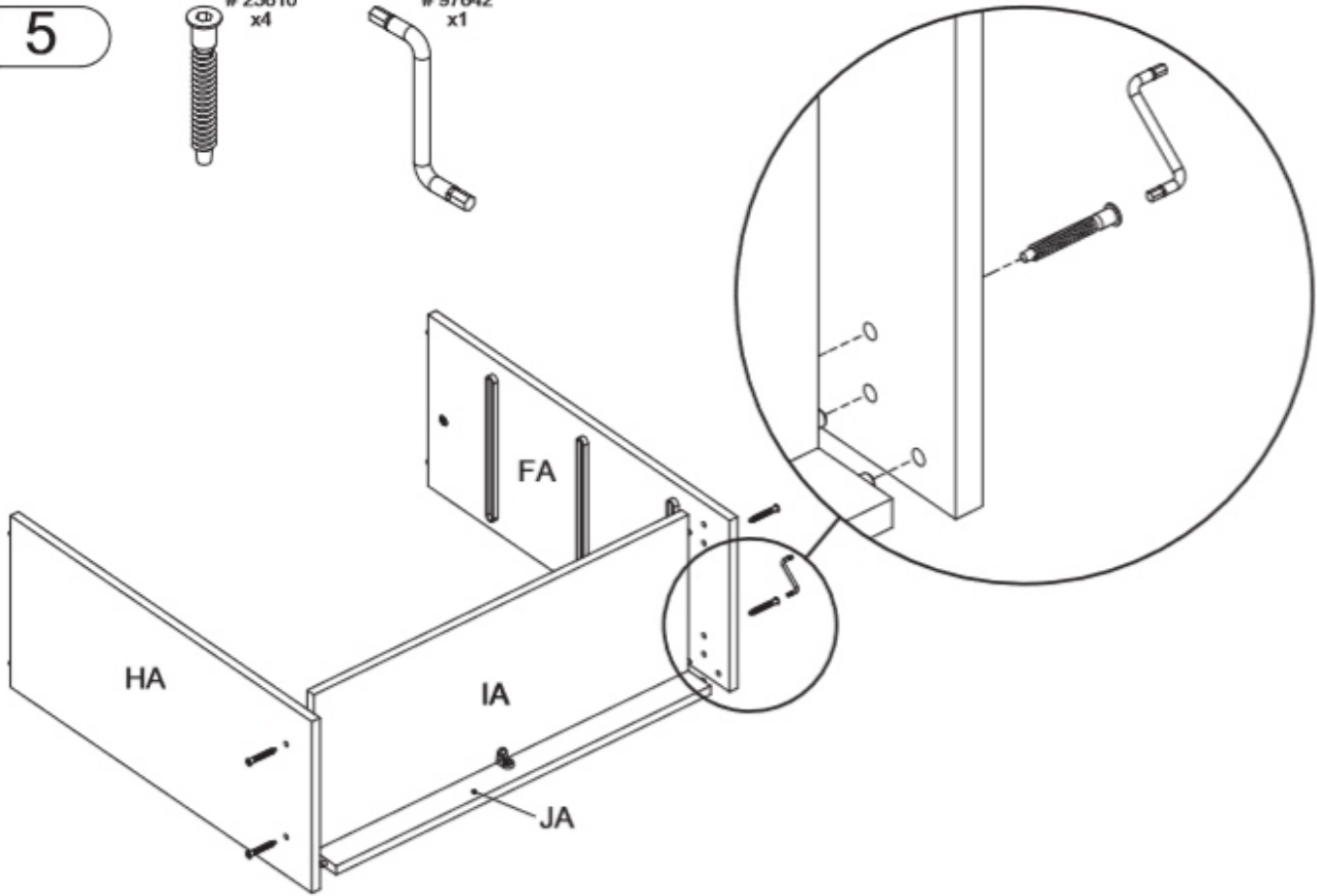
3



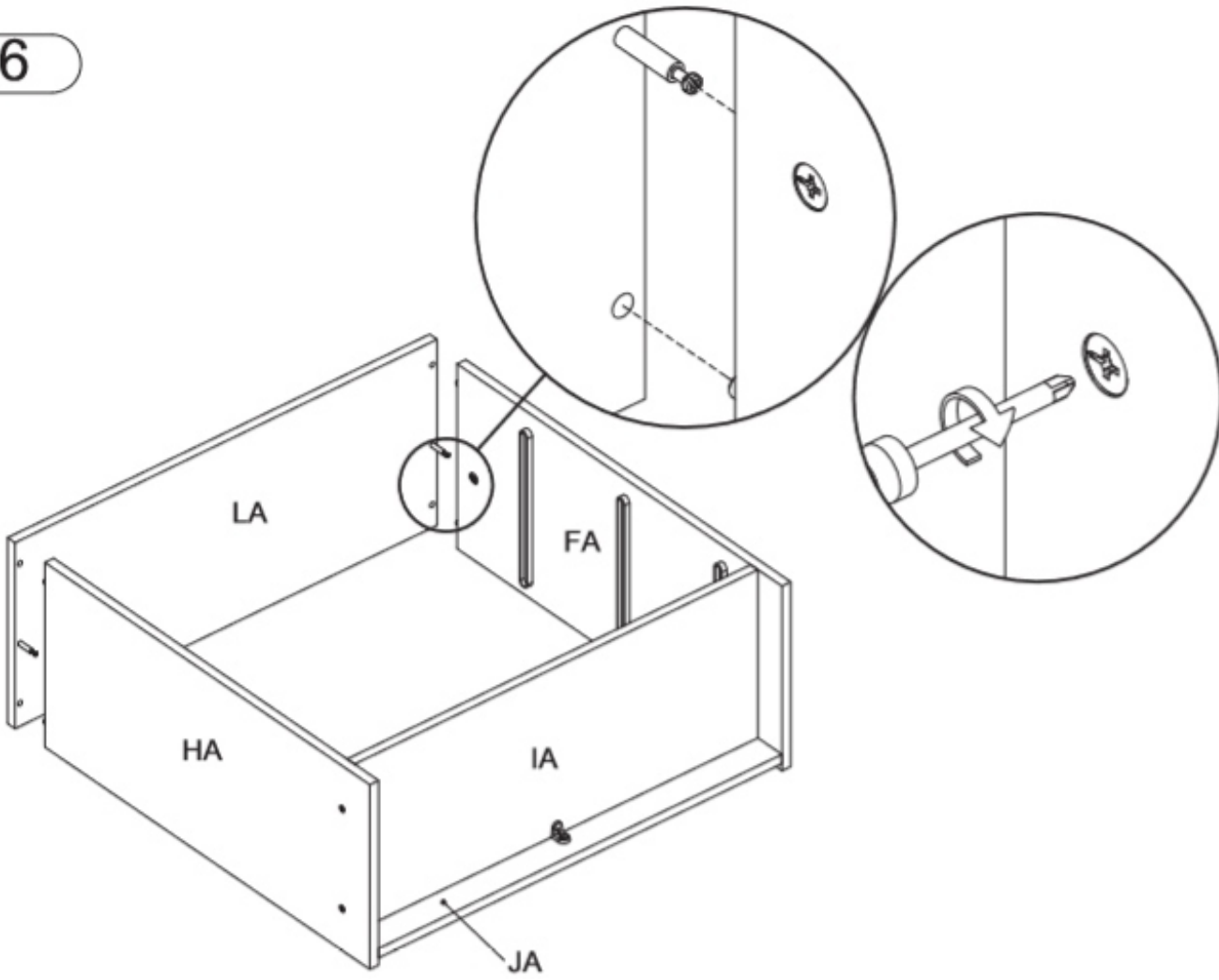
4



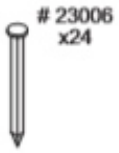
5



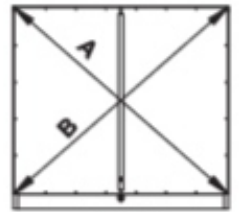
6



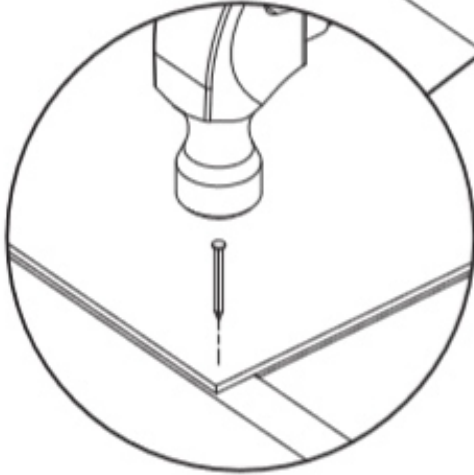
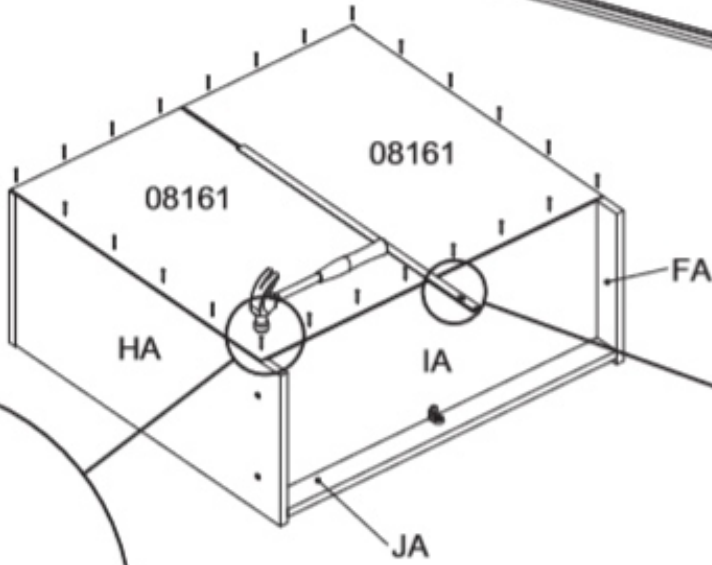
7



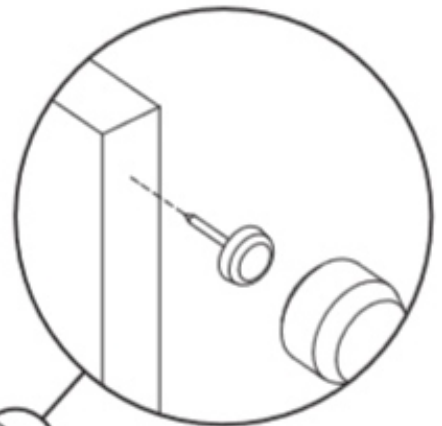
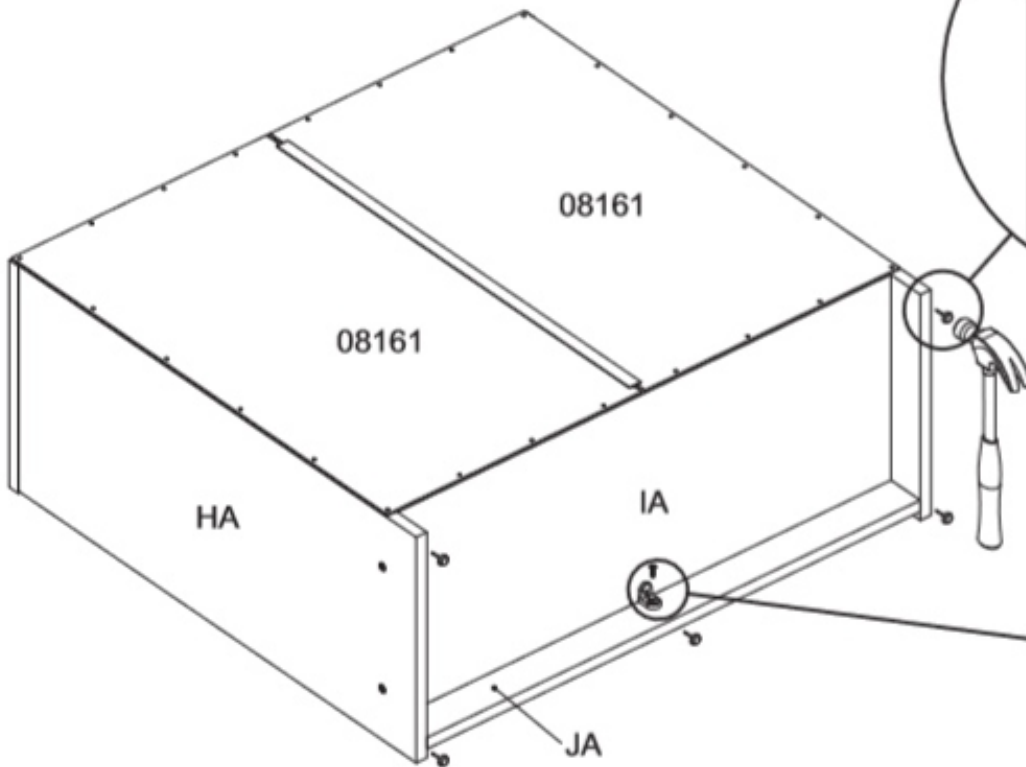
74426
x1



A = B

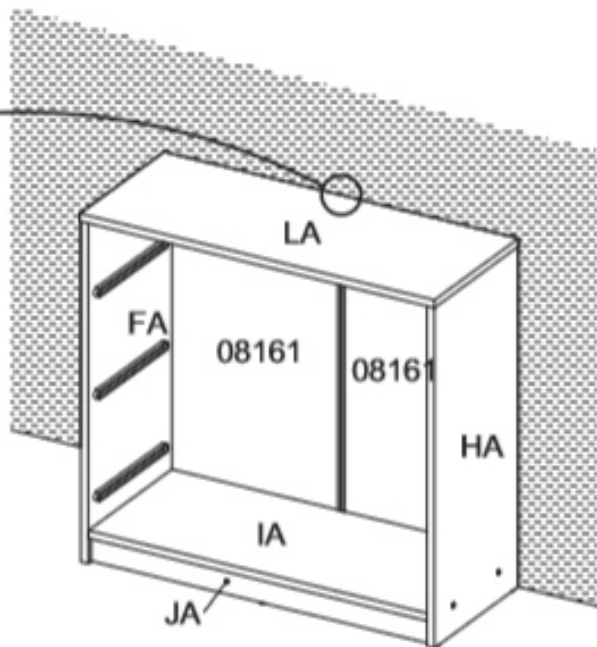
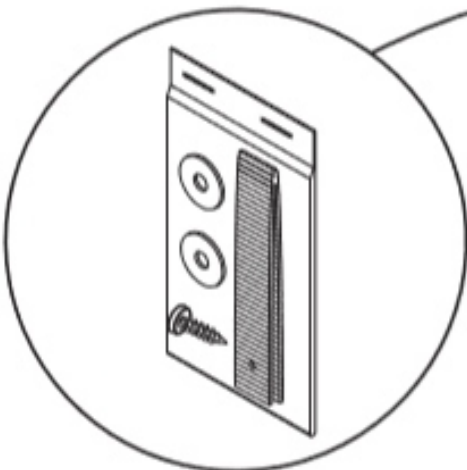
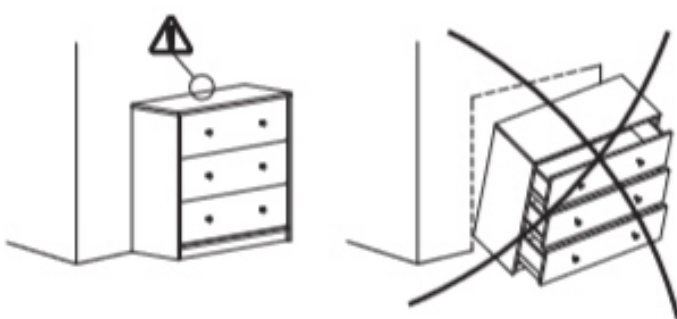
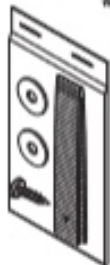


8



09

94005
x1

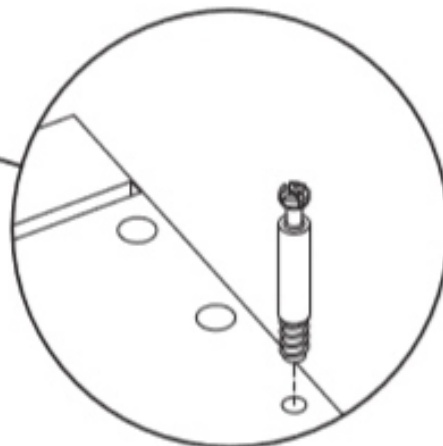
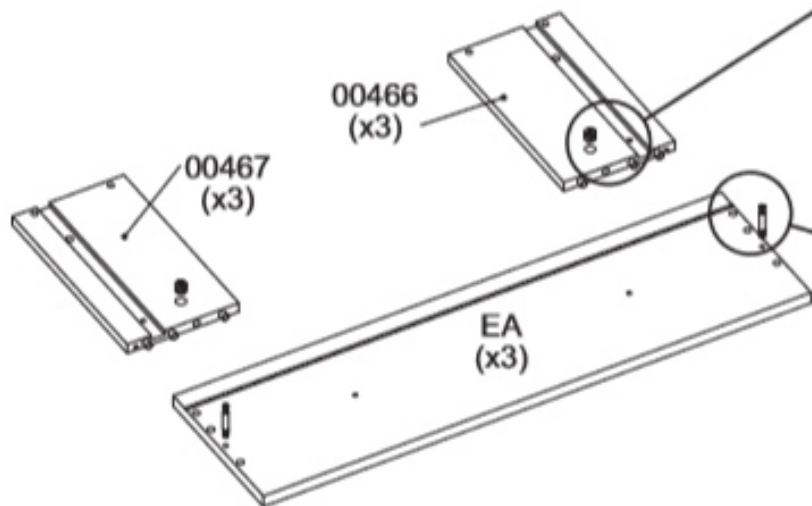
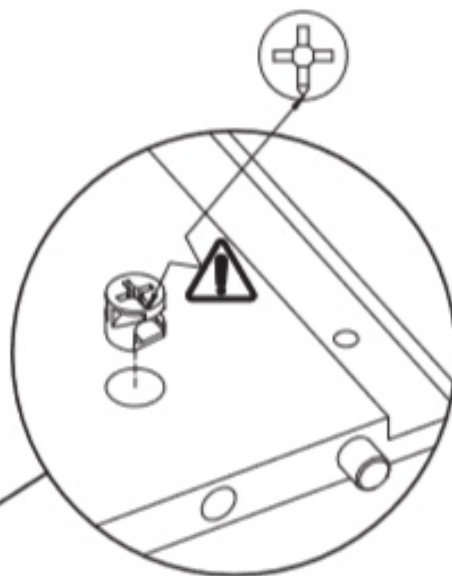
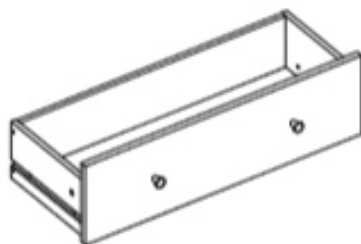
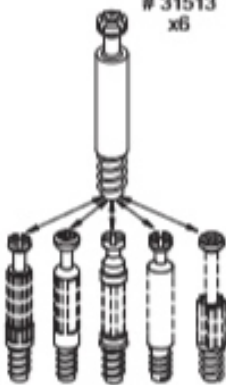


10

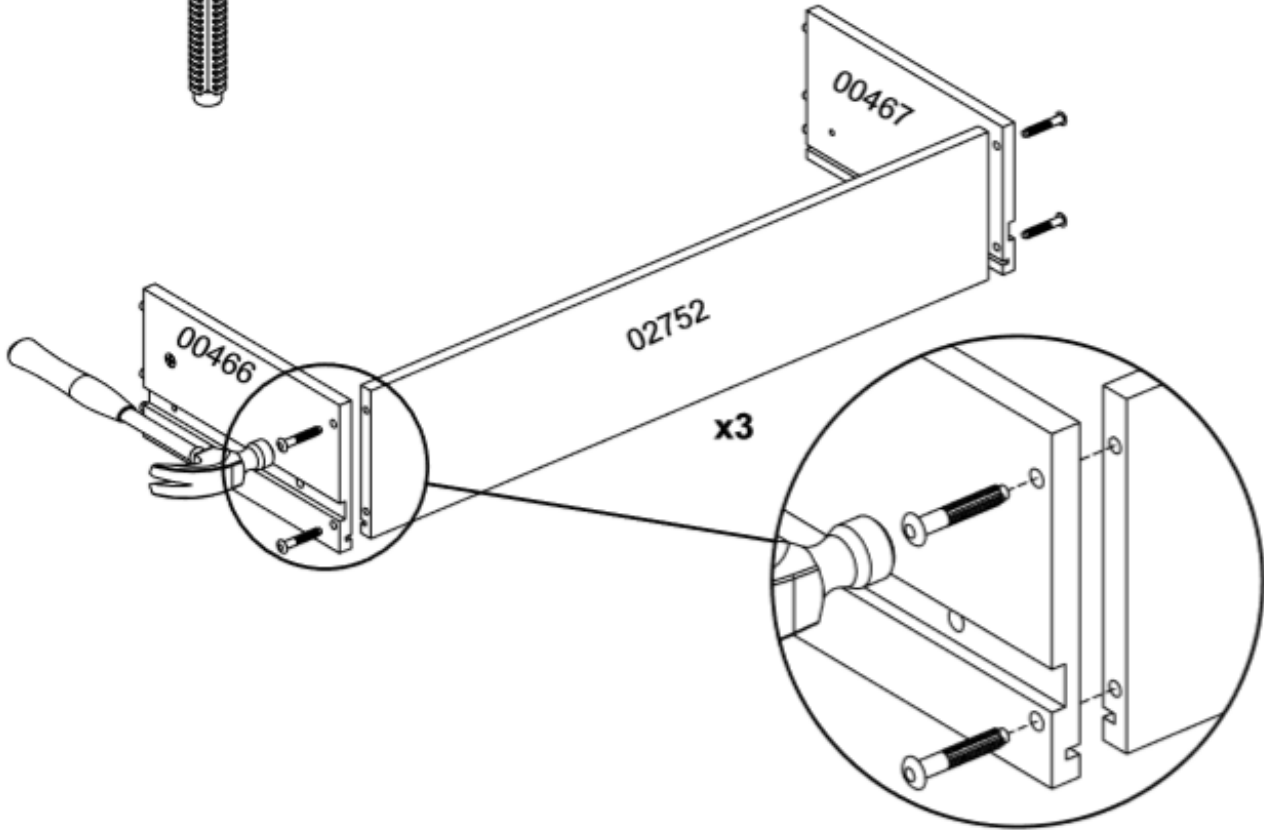
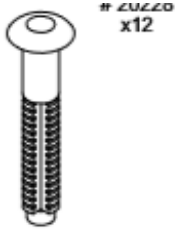
31624
x6



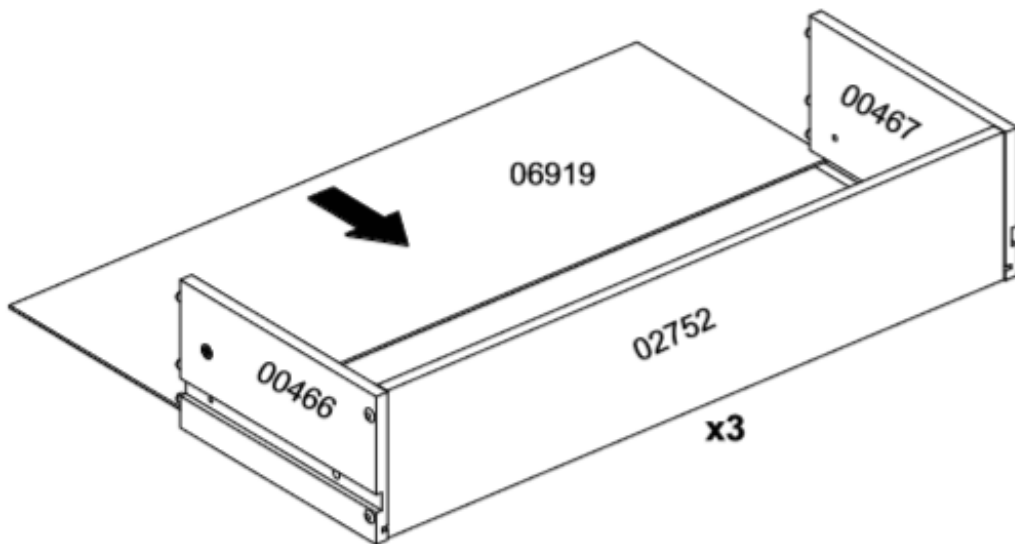
31513
x6



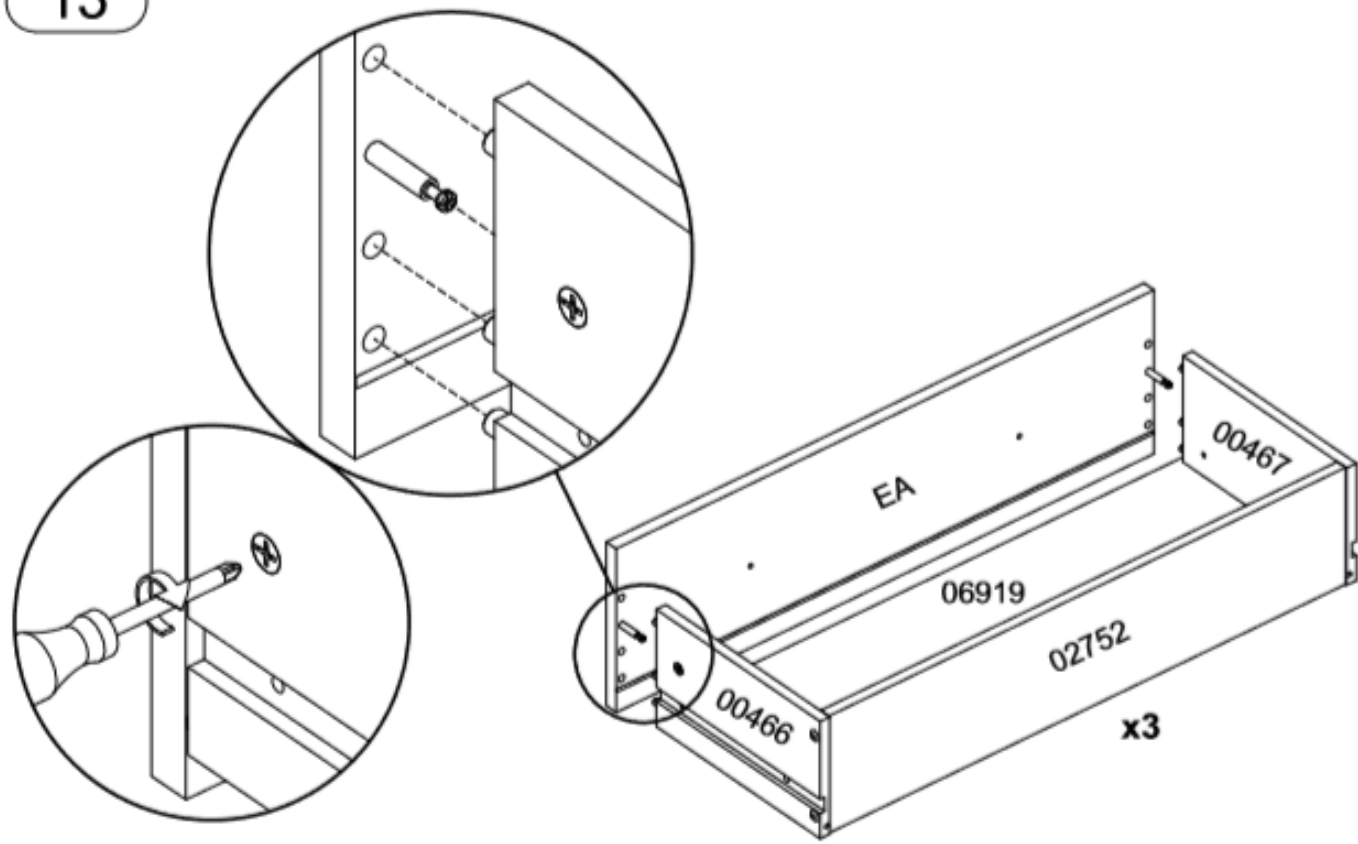
11



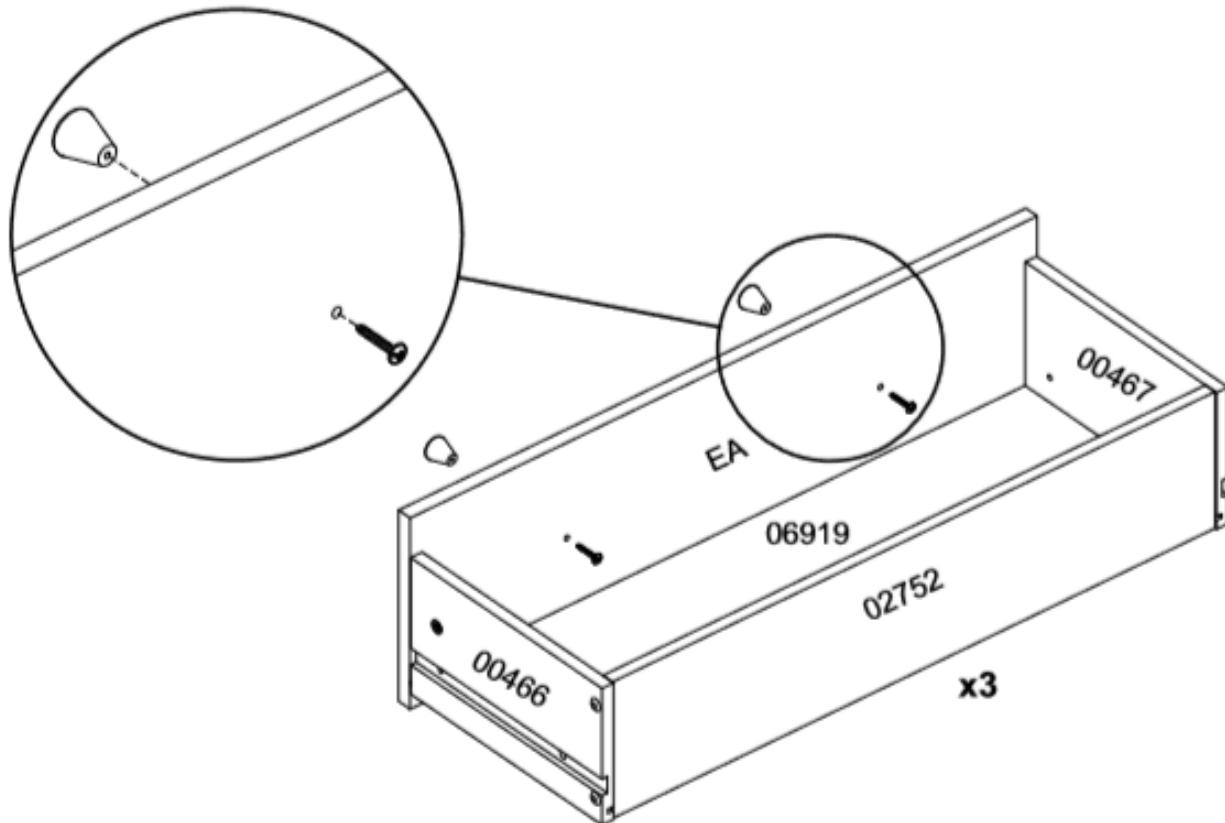
12



13



14



15



10901
x4



97201
x6

