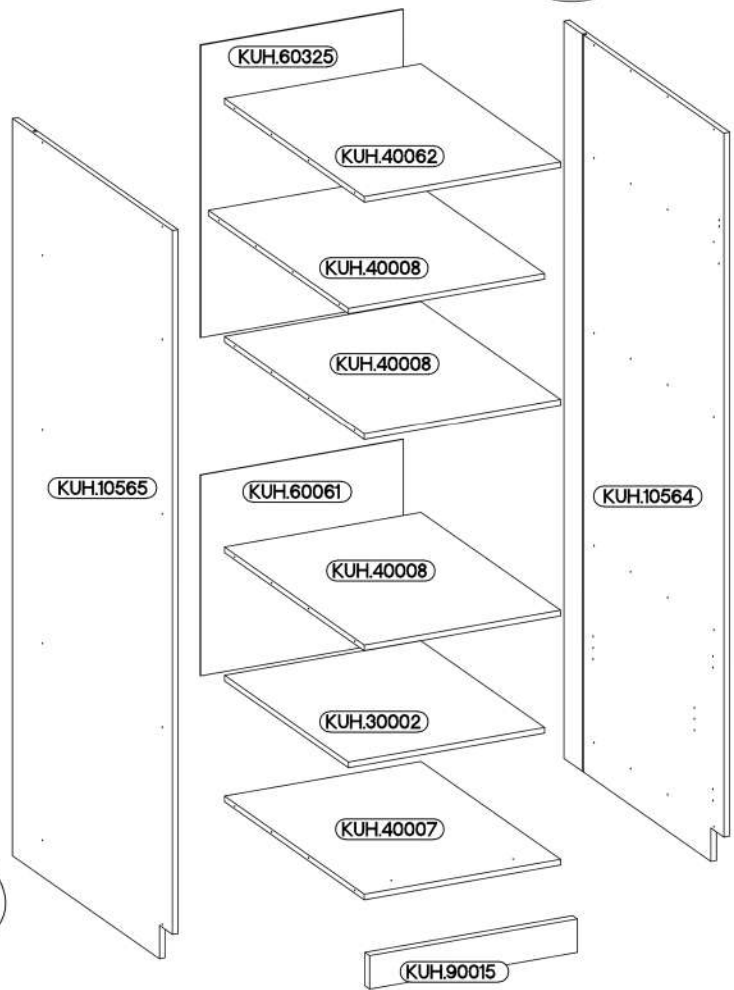
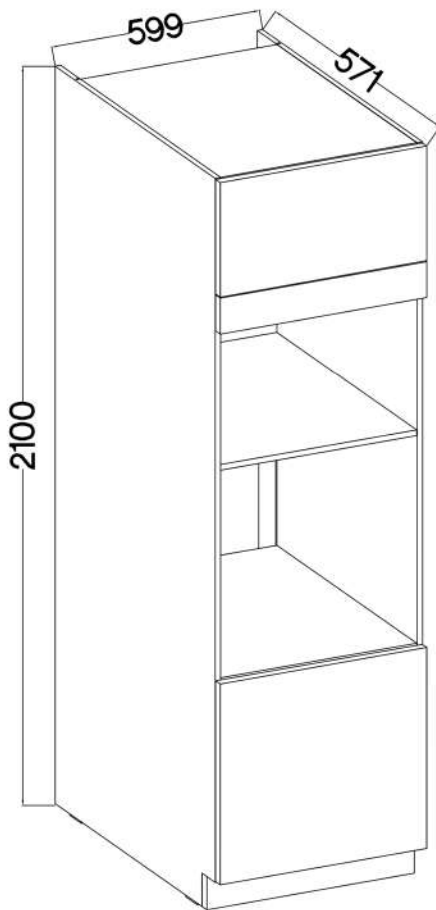


# FRISBO 60 DPM-210 2F

max. 10kg  
 KUH.30002  
 KUH.40007  
 KUH.40008





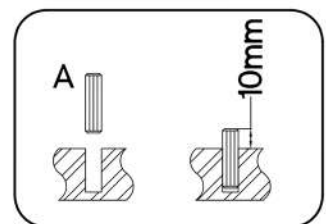
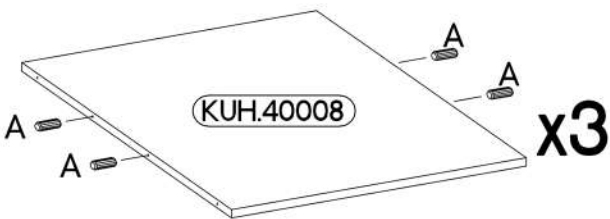
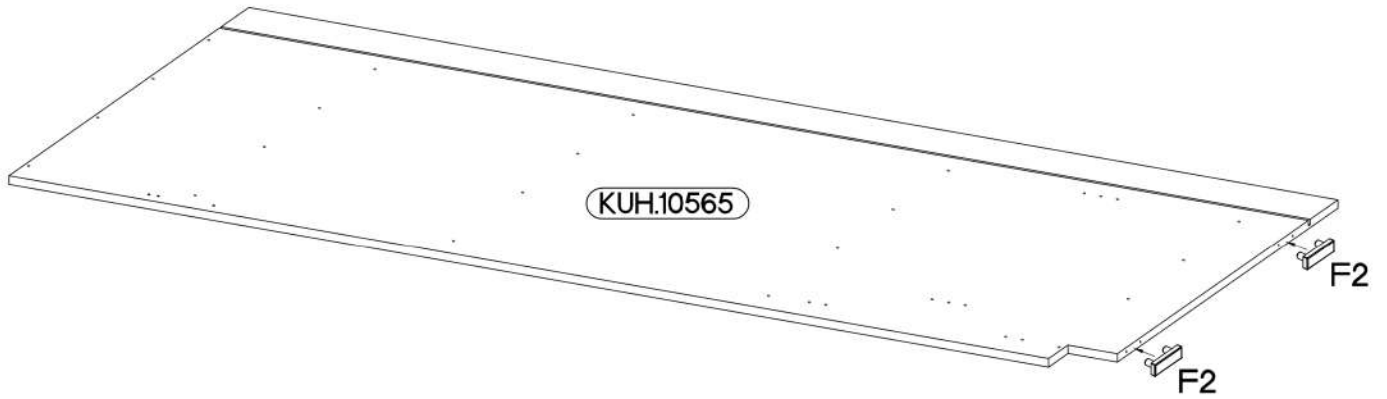
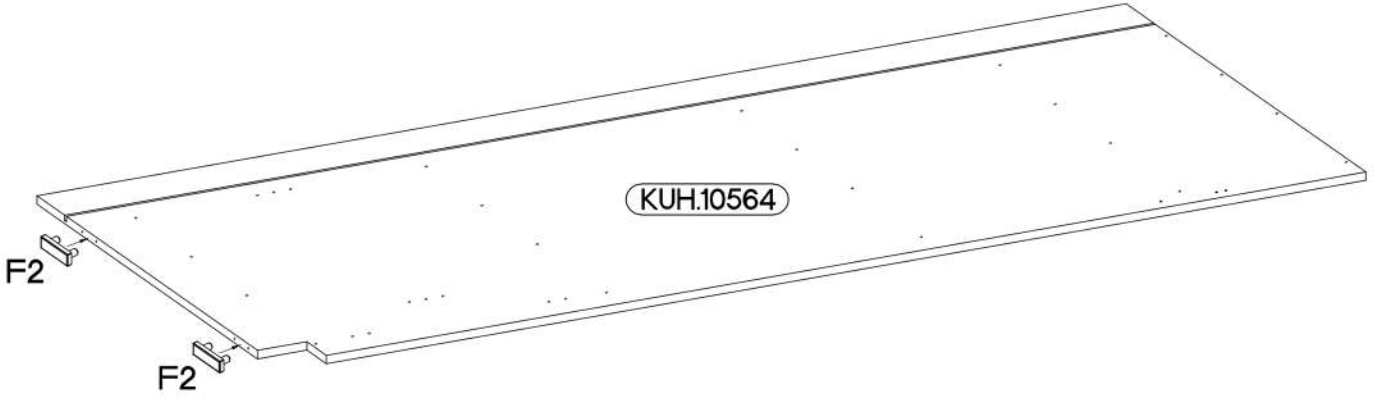
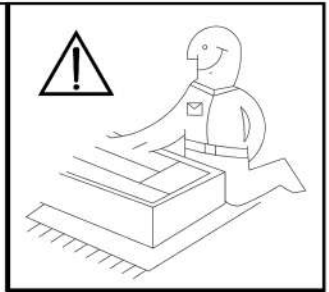
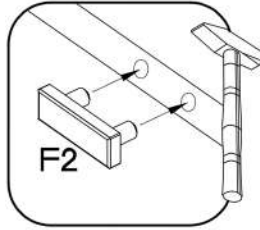
$\varnothing 8 \times 30 \text{mm}$ A	6,4 x 50mm B
20	20

$\varnothing 6.5 \times 48 \times 16$ E1	$\varnothing 6.5$ E9	$6.5 \times 48 \times 16$ F2	$\varnothing 35 / 0 \text{mm}$ [CD] HG	$\varnothing 5 / 19 \text{mm}$ J	J5	K24
20	2	4	4	4	2	2
$120 \times 30 \times 15 \text{mm}$ L25	O	$\varnothing 4.0 \times 16 \text{mm}$ P1	$\varnothing 4.0 \times 45 \text{mm}$ P4	$\varnothing 3.5 \times 13 \text{mm}$ P5	$\varnothing 3.0 \times 20 \text{mm}$ P7	T3
1	1	4	2	10	15-20	2

KUH.10564	2095x555x16
KUH.10565	2095x555x16
KUH.30002	566x430x16
KUH.40007	567x485x16
KUH.40008 x3	567x485x16
KUH.40062	567x485x16
KUH.60061	570x585x2,5
KUH.60325	830x585x2,5
KUH.90015	599x95x16

1

6.5x48x16	∅8x30mm
 F2	 A
4	20



# 2

6,4 x 50mm



B

10



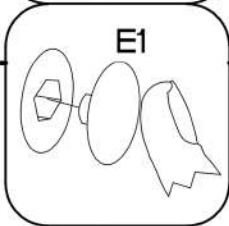
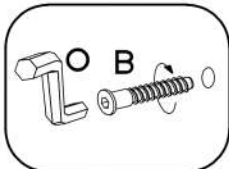
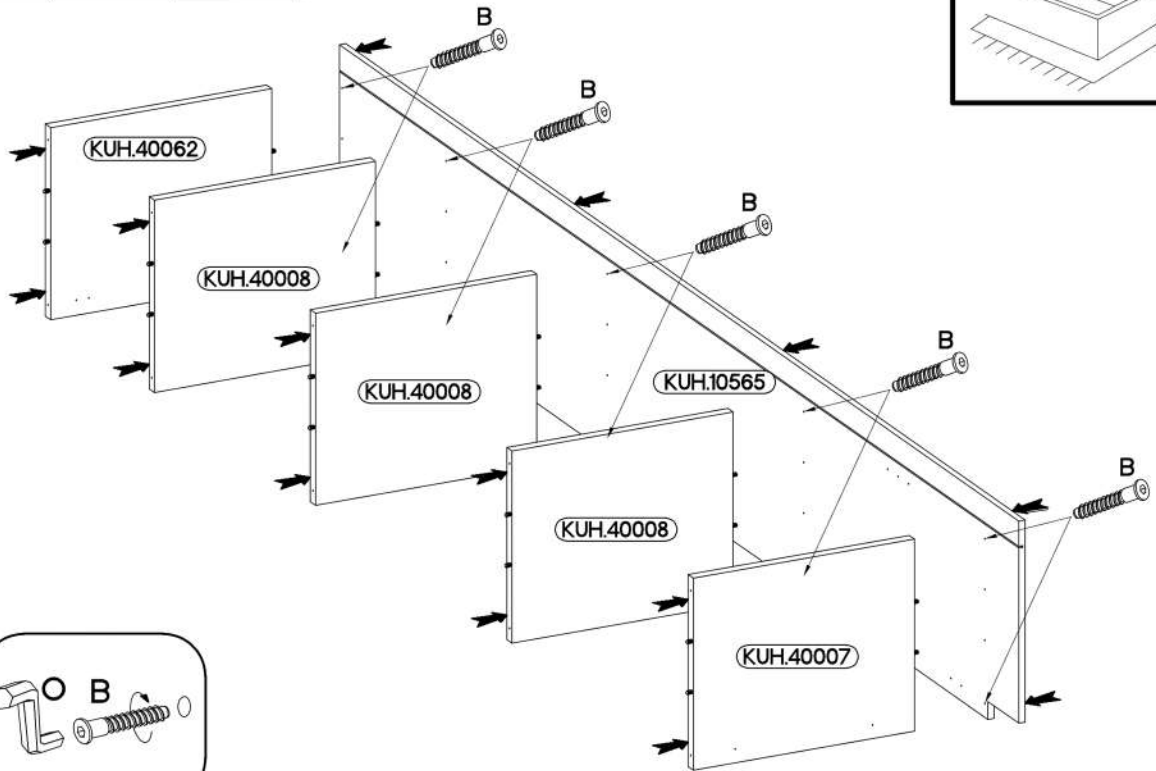
O

1

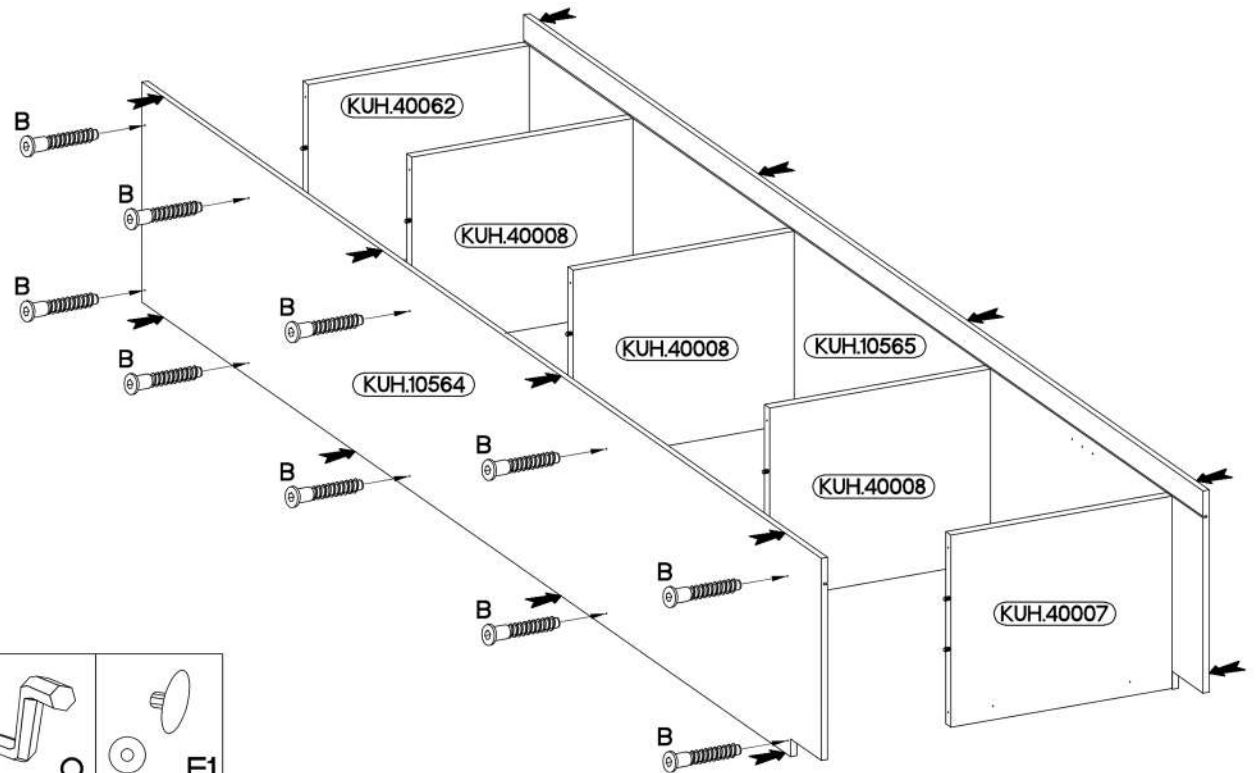


E1

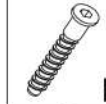
10



# 3



6,4 x 50mm



B

10



O

1

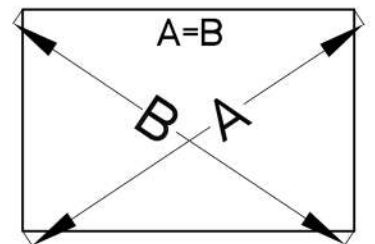
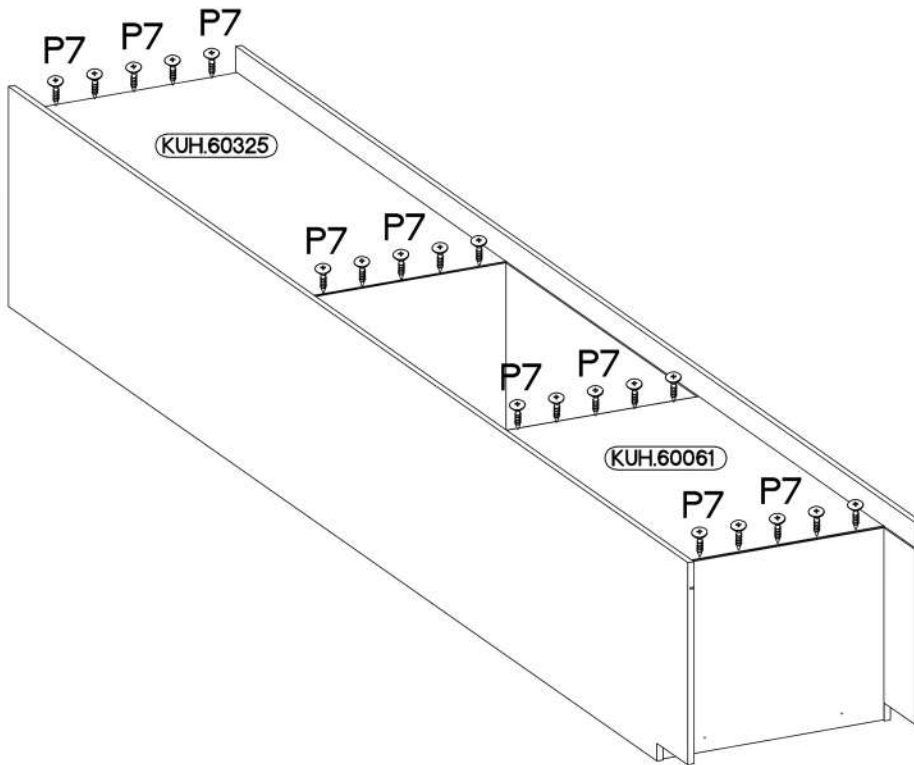
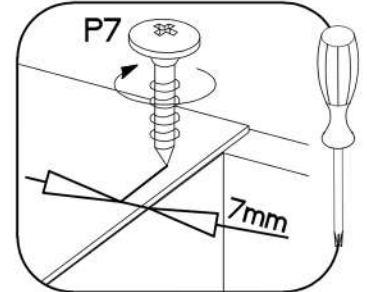
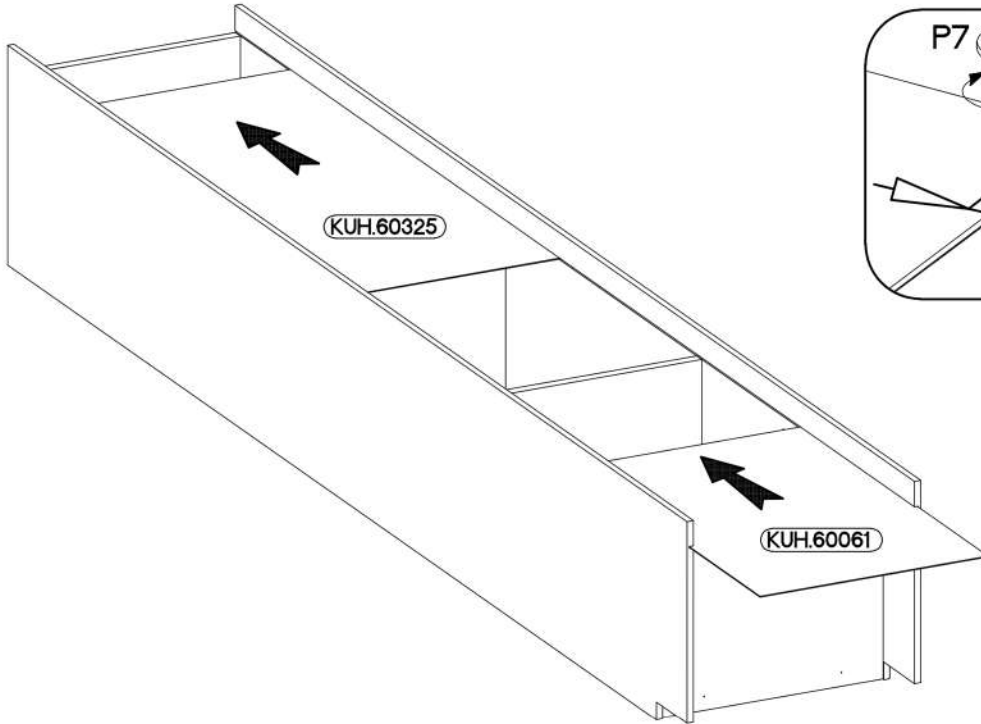


E1




10

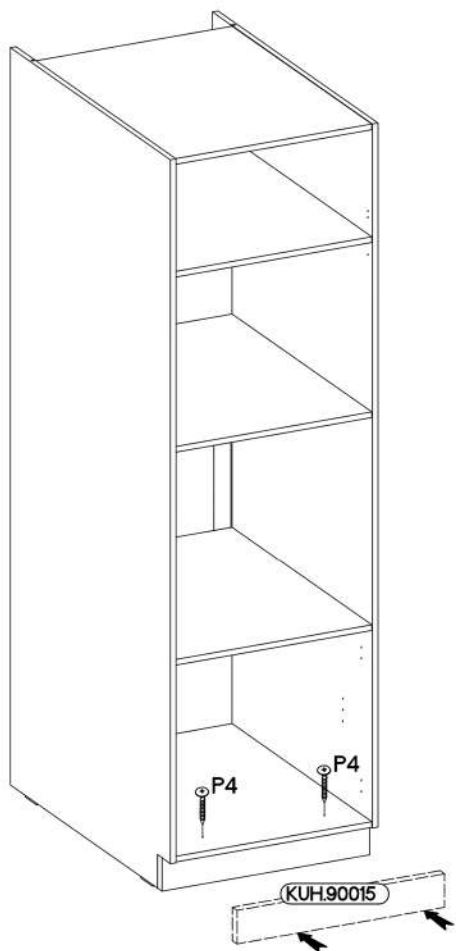
4

3.0x20mm  
P7  
15-20




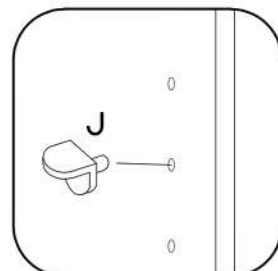
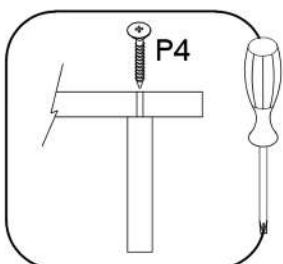
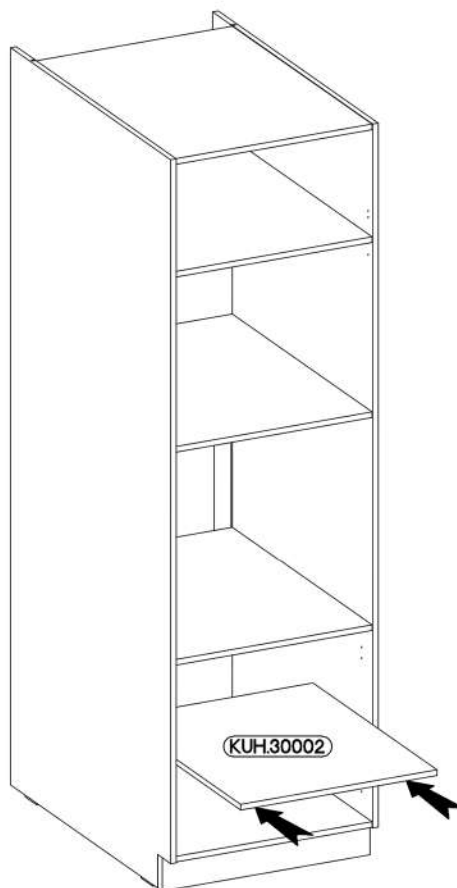
5

†4.0x45mm		
P4		E9
2		2

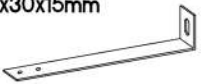



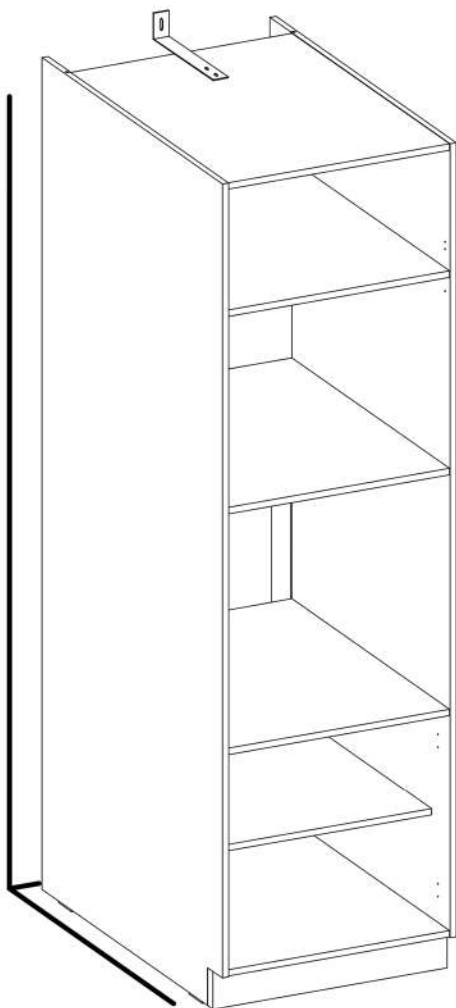
6

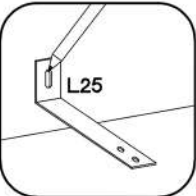
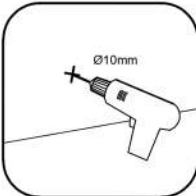

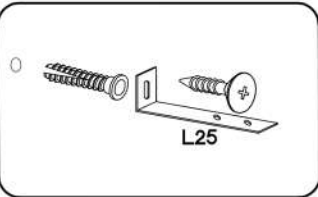
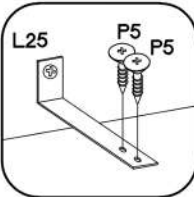
†5/19mm	
J	
4	

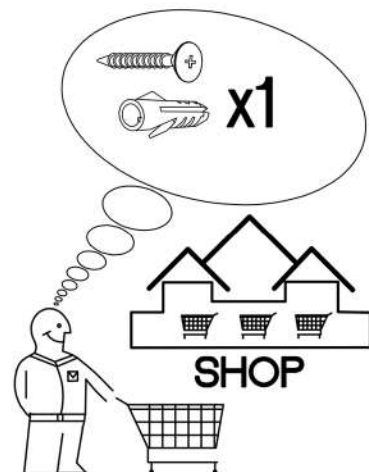
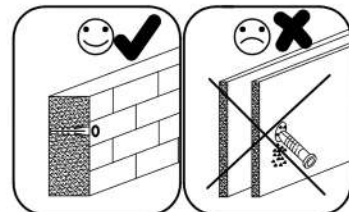


7

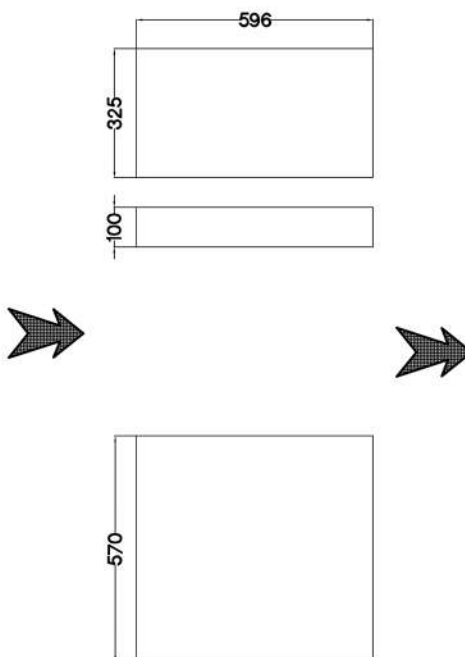
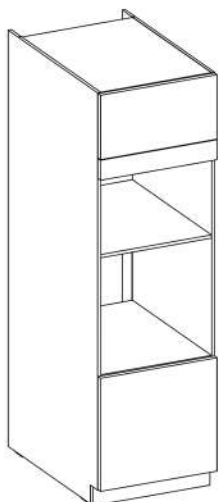
120x30x15mm	1	3.5x13mm	2
	L25		P5



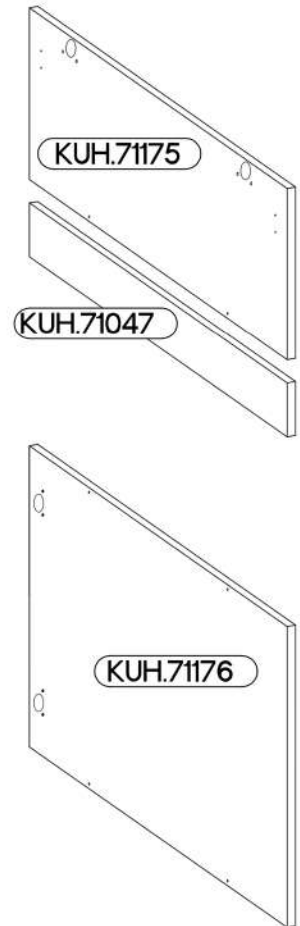
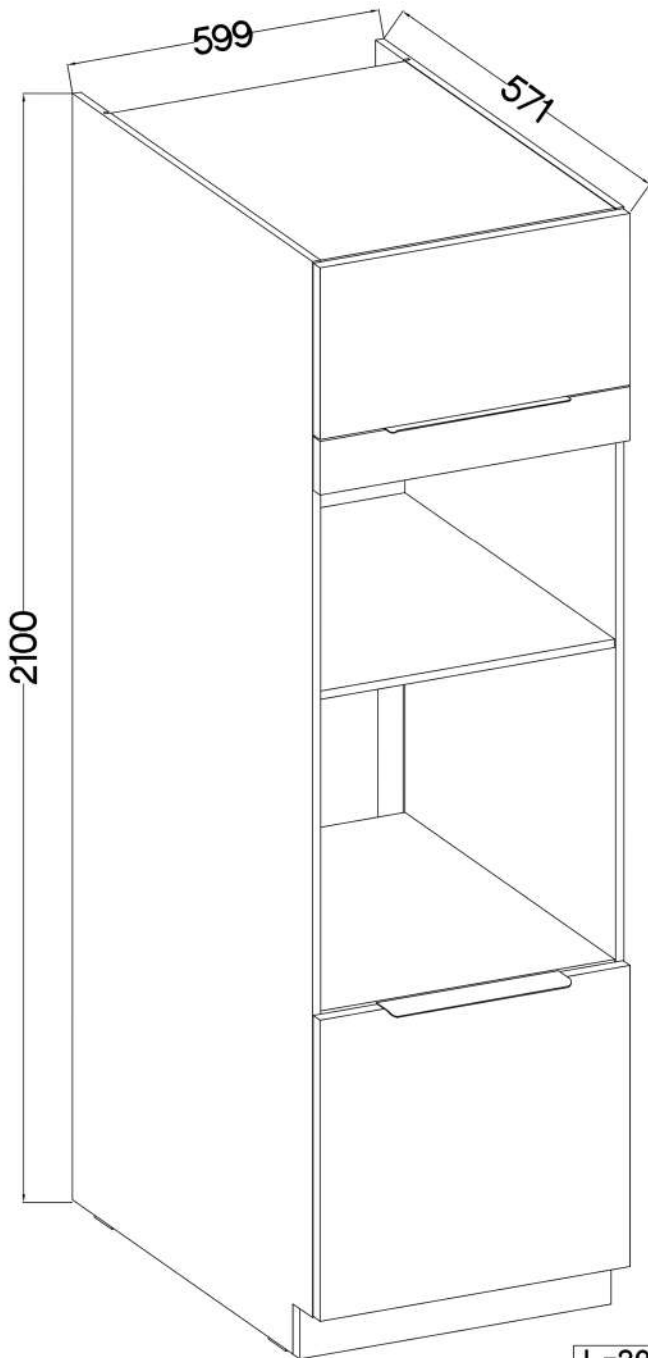
- 
- 
- 
- 
- 



8








		<p><b>60 DPM-210 2F</b></p>	

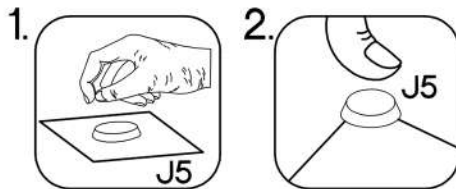
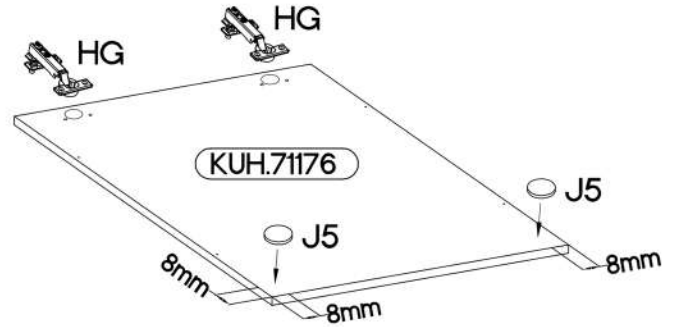
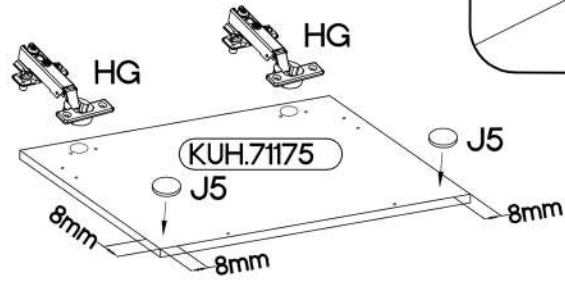
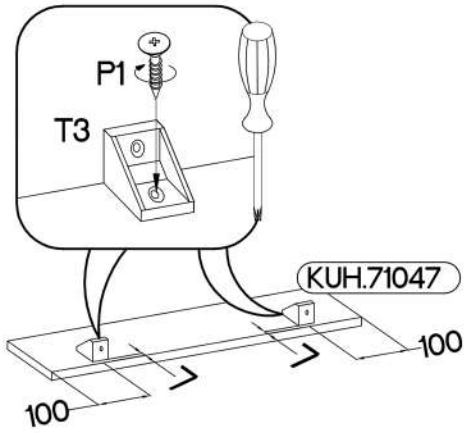
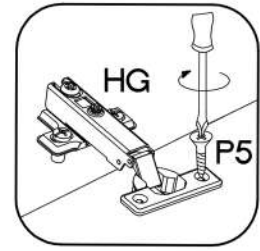


<p>L=320mm</p>	<p>±7/2mm</p>
<p> S</p>	<p>J5</p>
<p>2</p>	<p>4</p>

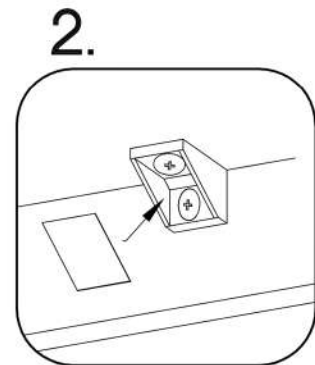
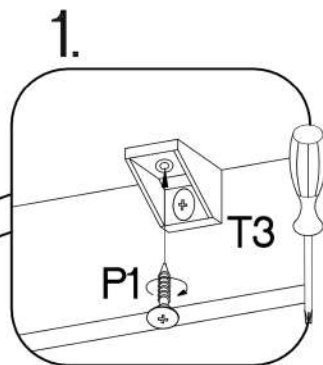
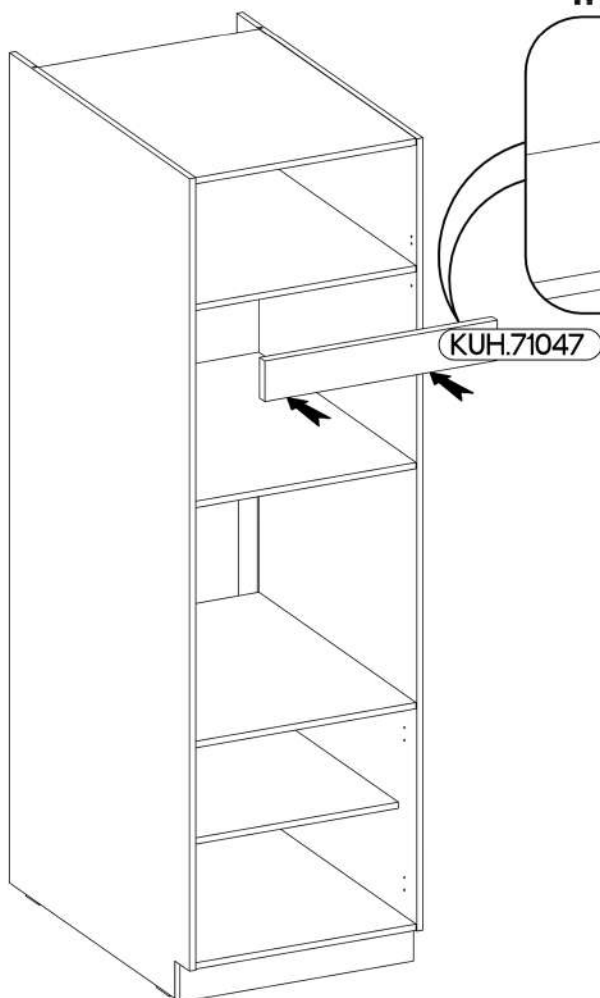
KUH.71175	325x596x16
KUH.71047	102x596x16
KUH.71176	570x596x16

# 1

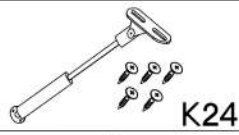

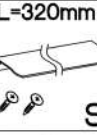
 +35/0mm [CD] HG 4	 +3.5x13mm P5 8	 T3 2	 +4.0x16mm P1 2	 +7/2mm J5 4
--	---	--	---	--



# 2



3

 K24 2	 J5 2	 L=320mm S 2
---	--	--

