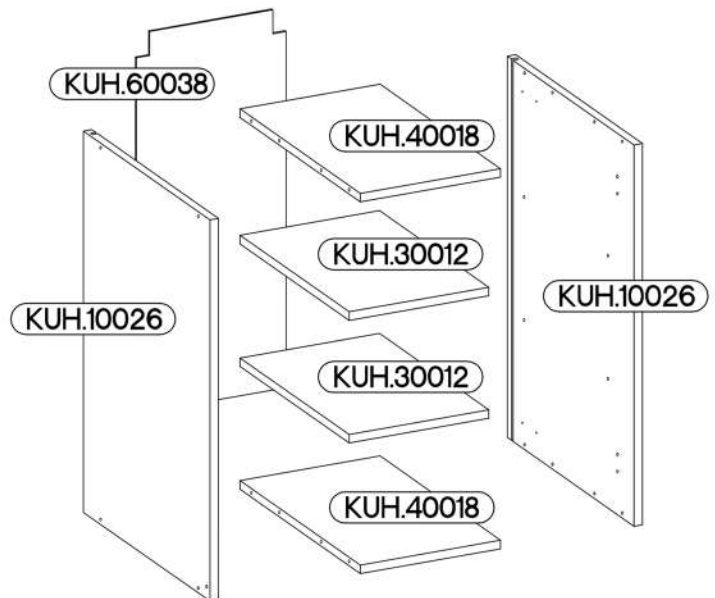
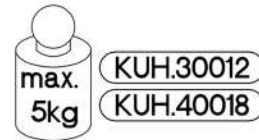
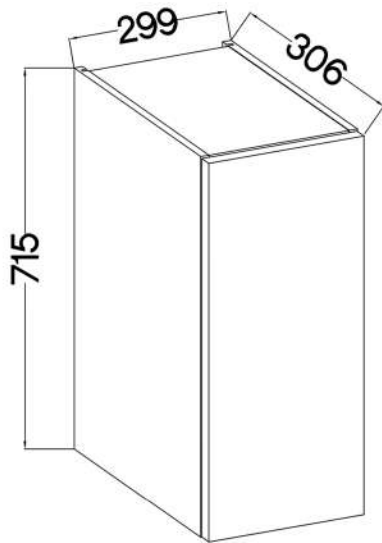
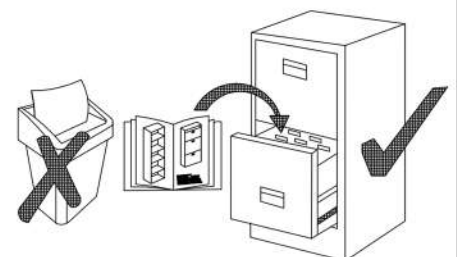


FRISBO 30 G-72 1F






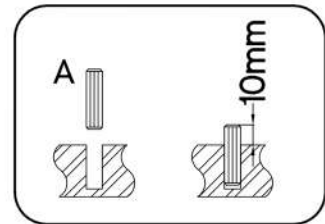
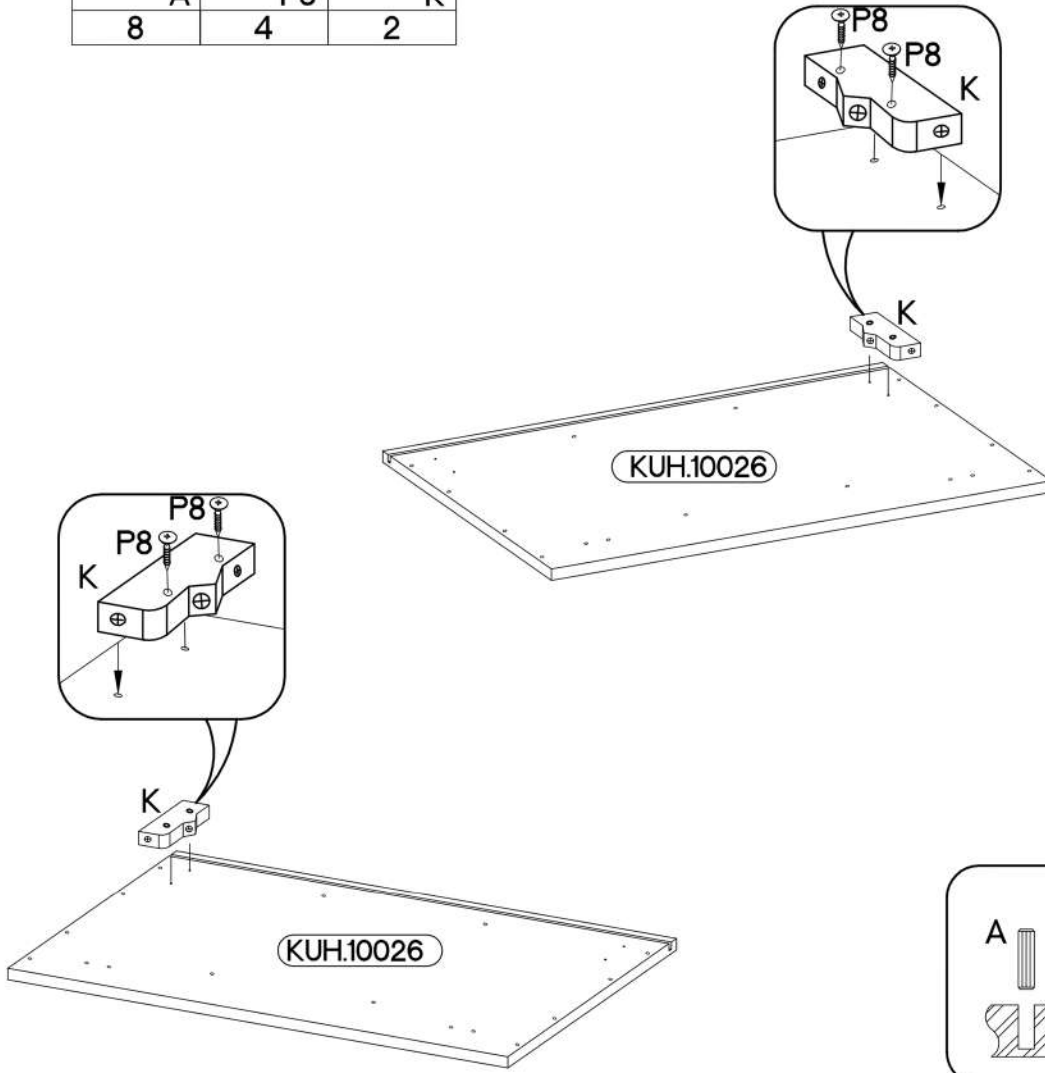
KUH.10026 x2	715x290x16
KUH.30012 x2	266x250x16
KUH.40018 x2	267x276x16
KUH.60038	713x285x2,5

 +8x30mm A 8	 6,4 x 50mm B 8	 E1 8	 +35/0mm HG 2	 +3.5x13mm P5 4	 +3.0x20mm P7 8-10	 +4.0x30mm P8 4
 J 8	 K 2	 O 1				



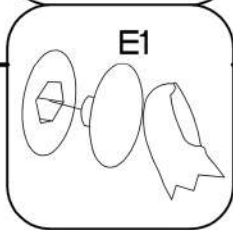
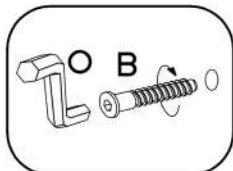
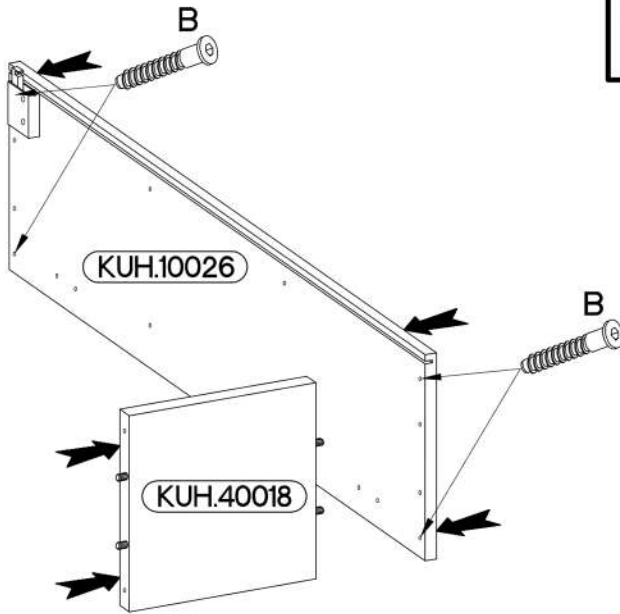
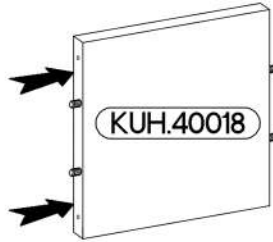
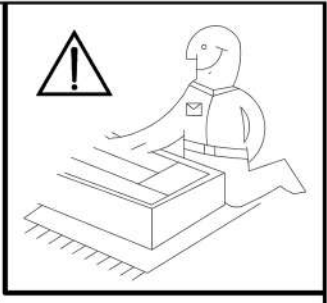
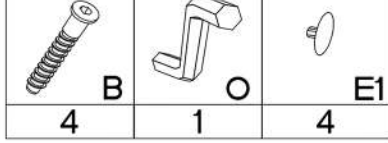
1

 +8x30mm A	 +4.0x30mm P8	 K
8	4	2

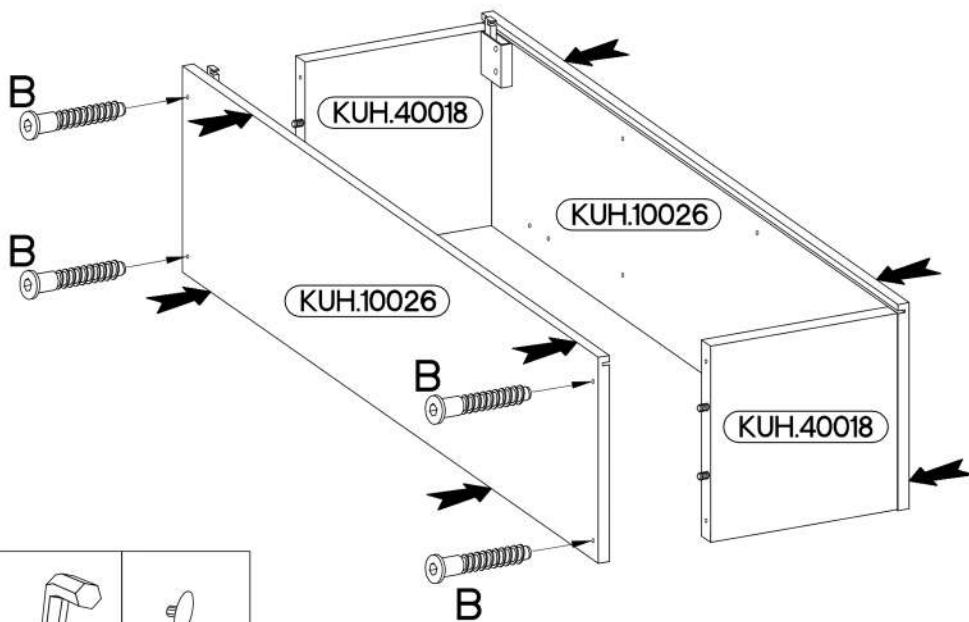


2

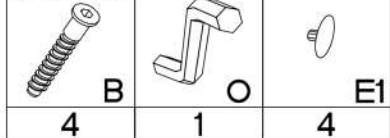
6,4 x 50mm



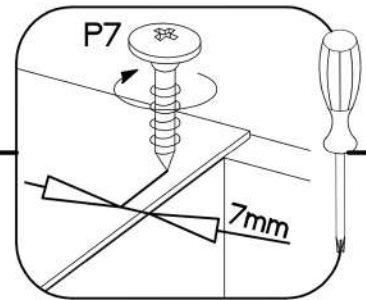
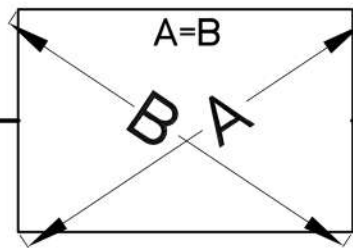
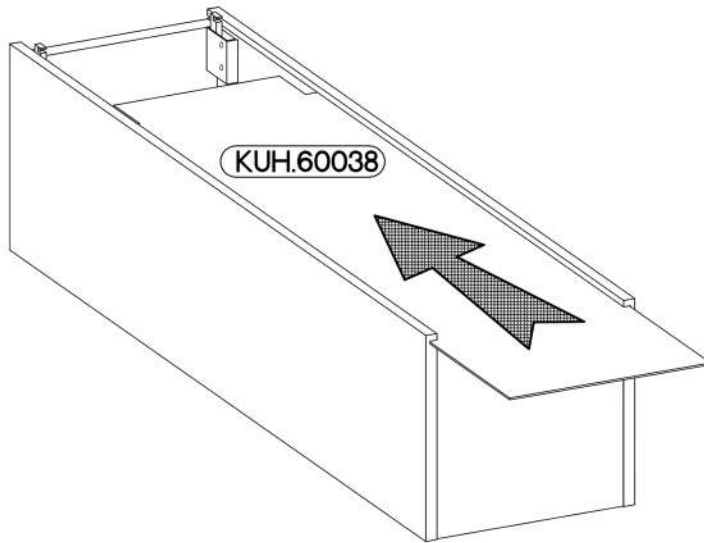
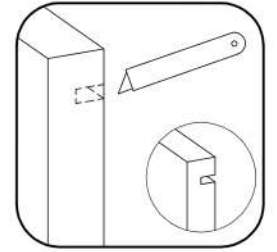
3



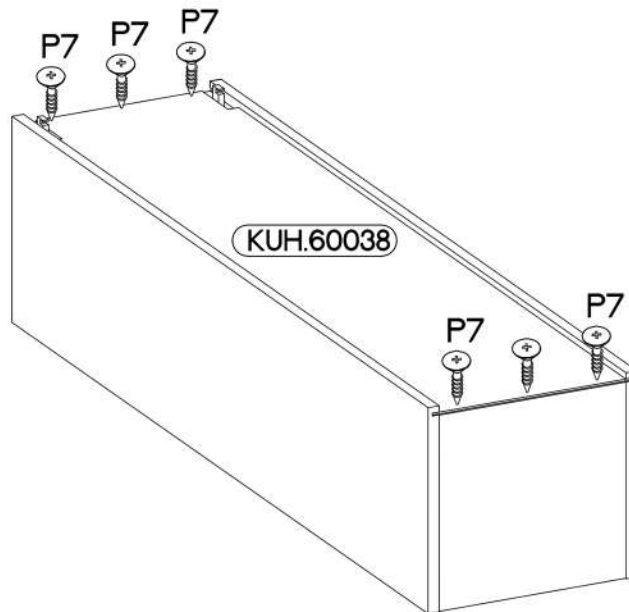
6,4 x 50mm



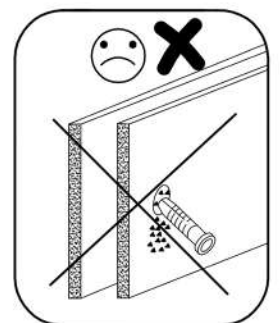
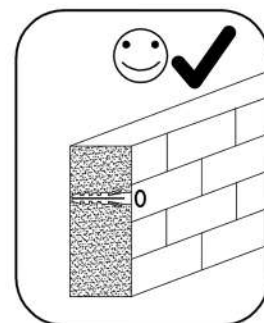
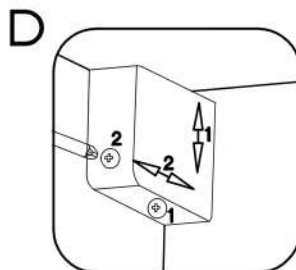
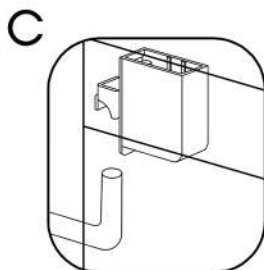
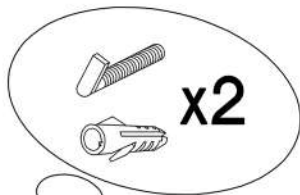
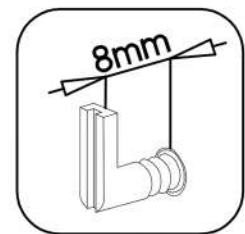
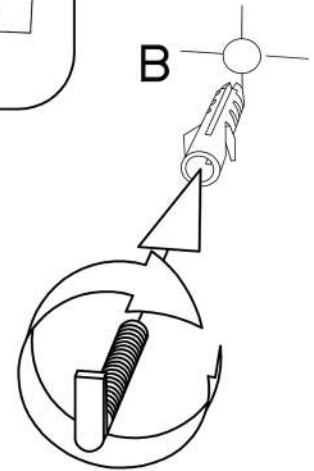
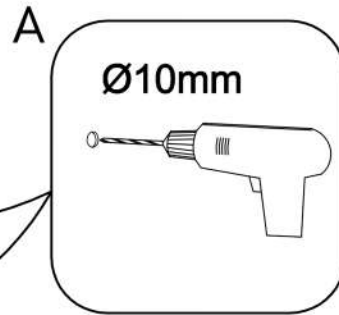
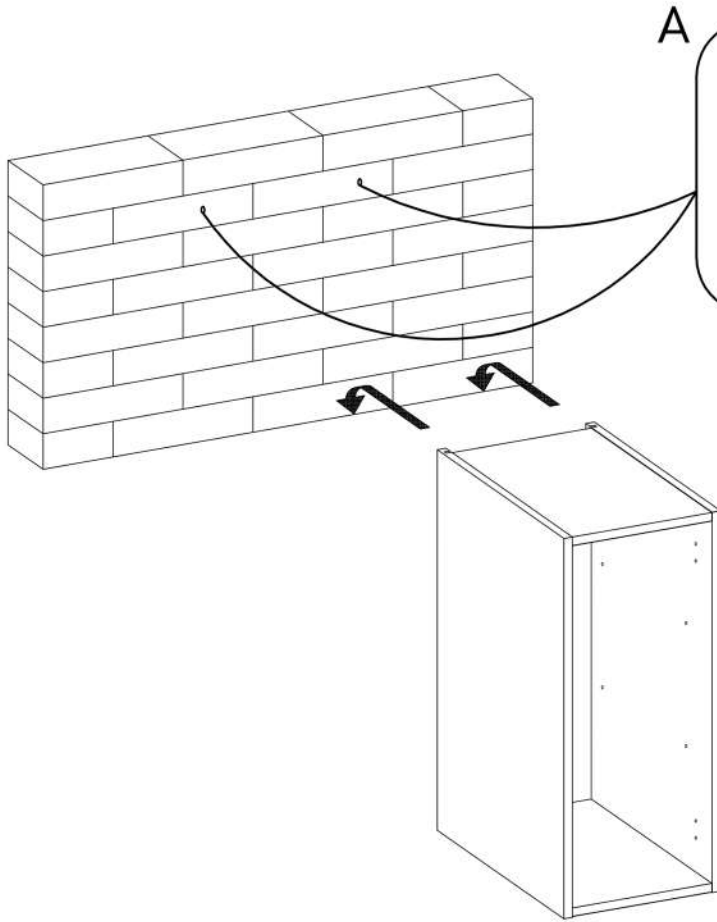
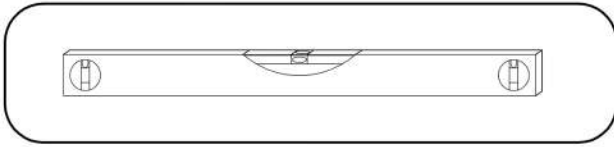
4



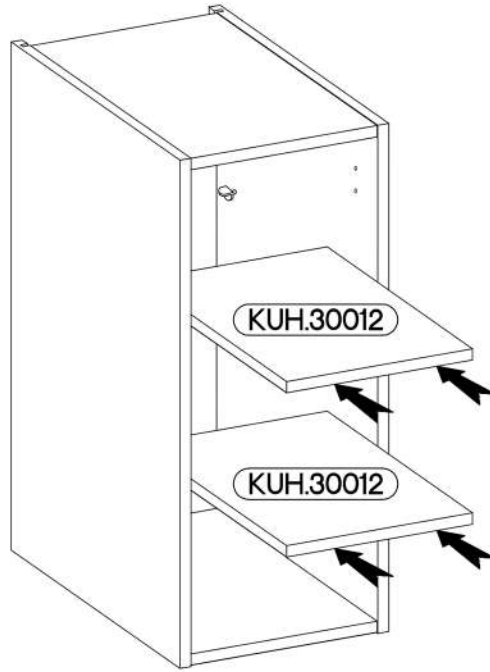
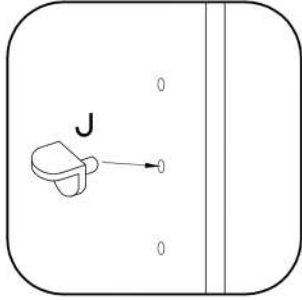
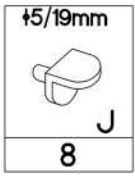
5



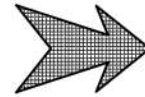
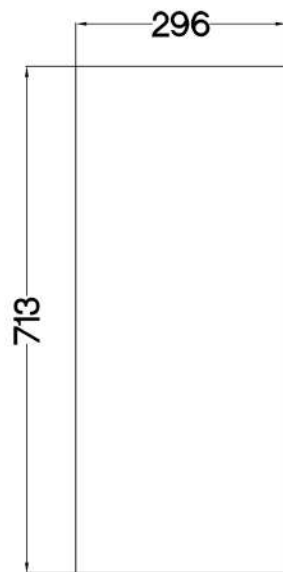
6

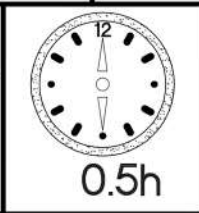
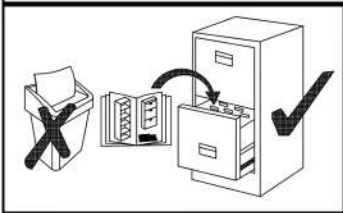
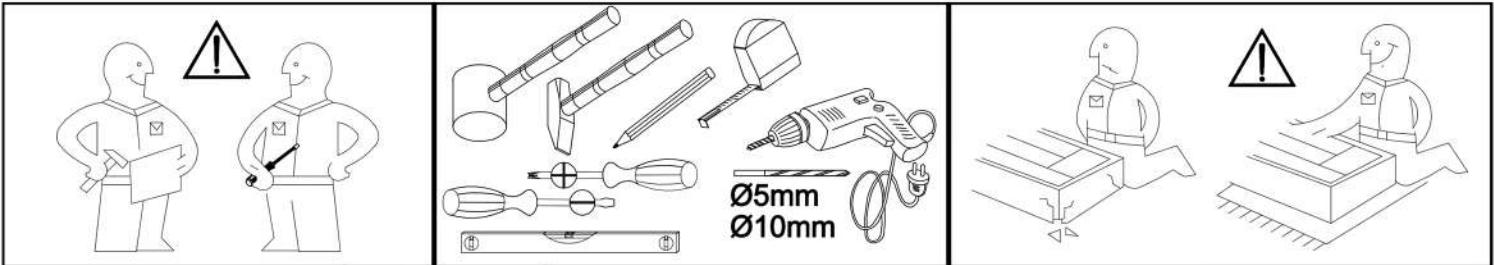


7

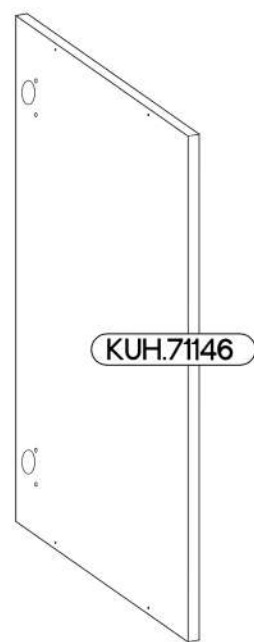
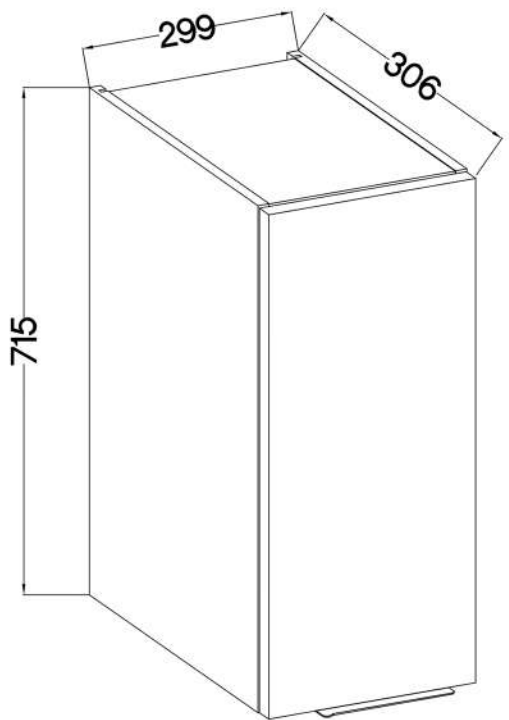
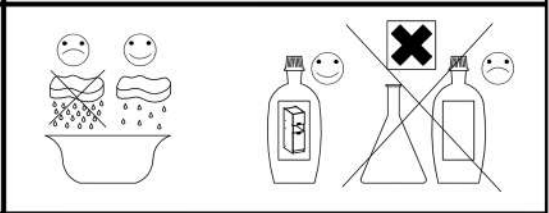




8





713x296

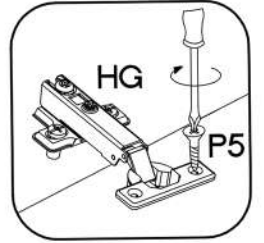
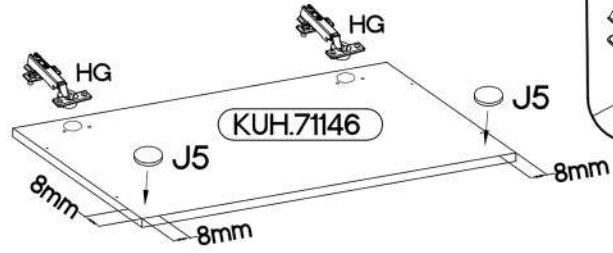
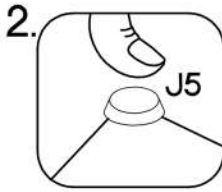
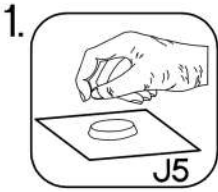


L=160mm	±7/2mm
	
S	J5
1	2

KUH.71146	713x296x16
-----------	------------

1

$\pm 35/0\text{mm}$ [CD] HG 2	$\pm 3.5 \times 13\text{mm}$ P5 4	$\pm 7/2\text{mm}$ J5 2
-------------------------------------	---	-------------------------------



2

L=160mm S 1

