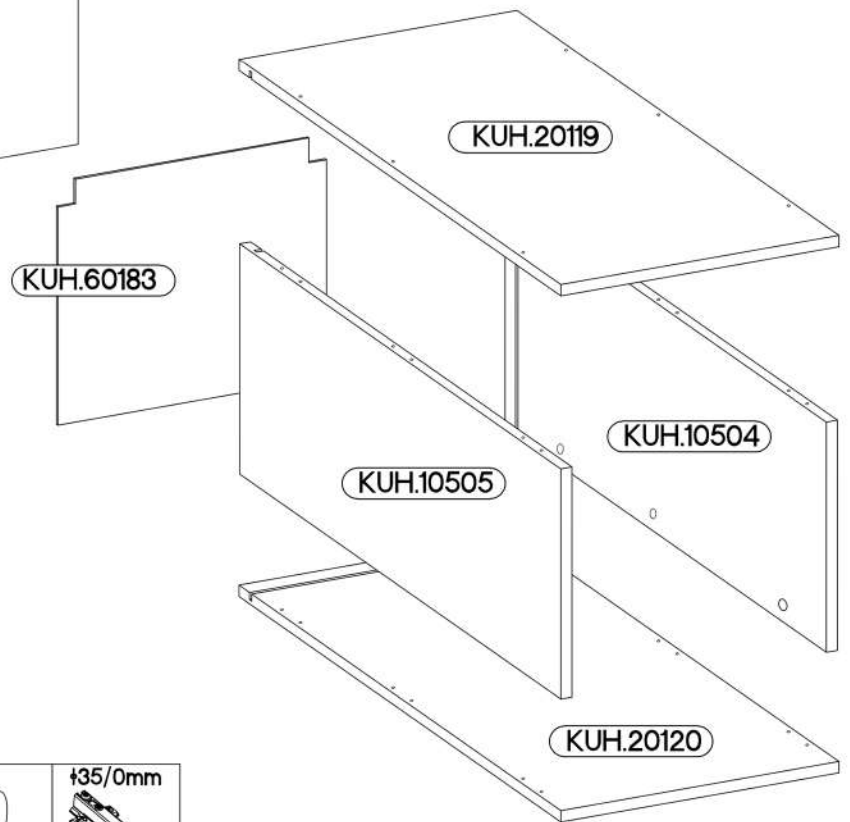
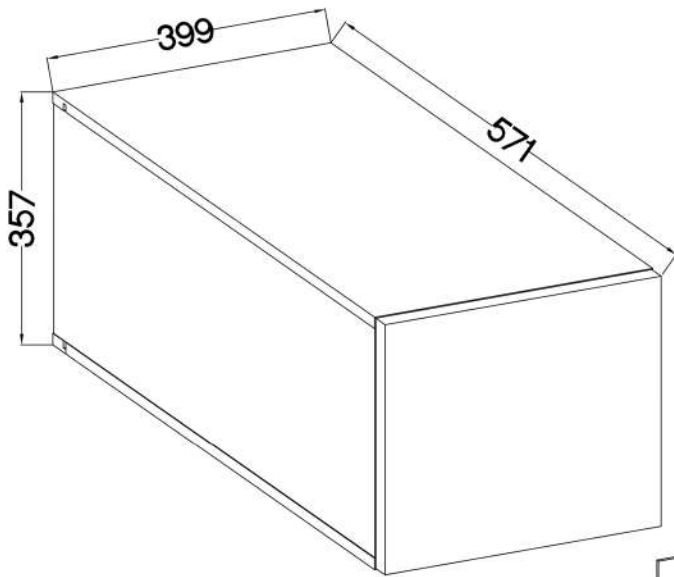


FRISBO 40 NAGU-36 1F


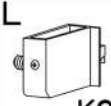
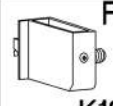




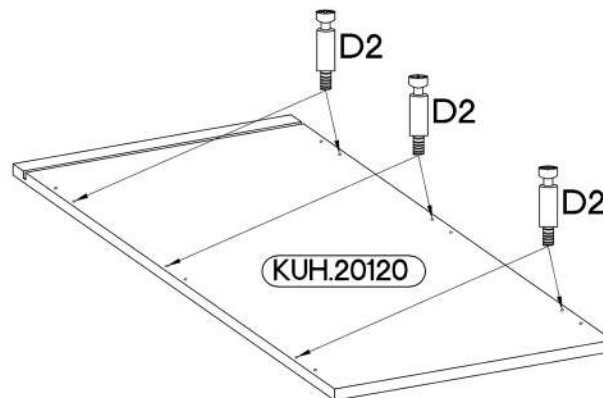
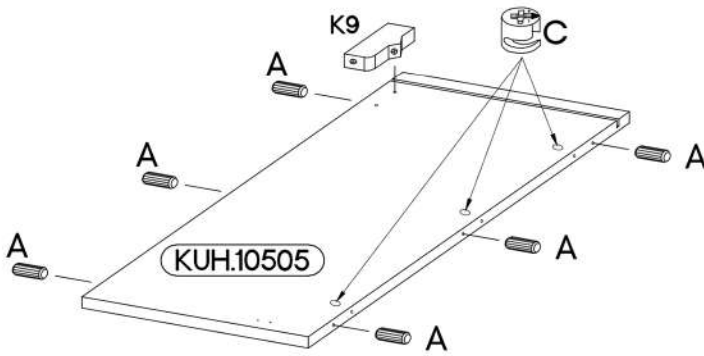
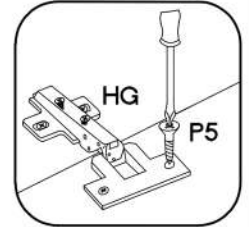
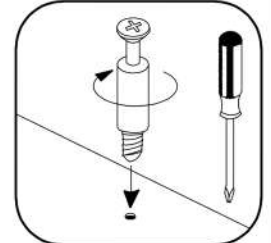
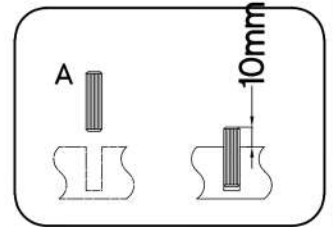
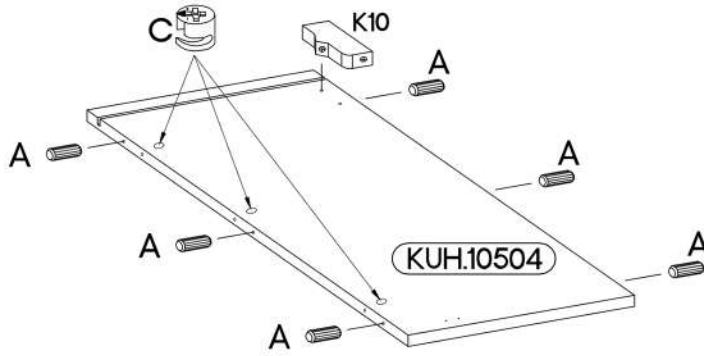
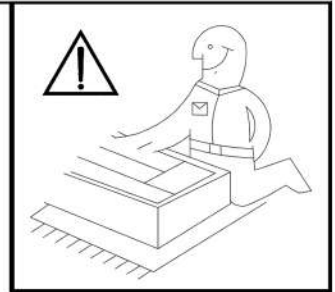
| | |
|-----------|-------------|
| KUH.10504 | 325x554x16 |
| KUH.10505 | 325x554x16 |
| KUH.20119 | 399x555x16 |
| KUH.20120 | 399x555x16 |
| KUH.60183 | 343x385x2,5 |

| | | | | | |
|--------------------------------------|--------------------------------|--------------------------------|------------------------|---|---|
| $\dagger 8 \times 30 \text{mm}$ A | $6,4 \times 50 \text{mm}$ B | $\dagger 15/12 \text{mm}$ C | $L=20 \text{mm}$ D2 | | $\dagger 35/0 \text{mm}$ [CD] HG |
| 12 | 6 | 6 | 6 | 6 | 2 |
| L K9 | R K10 | | | | $\dagger 3,5 \times 13 \text{mm}$ P5 |
| 1 | 1 | 1 | 6 | 1 | 4 |

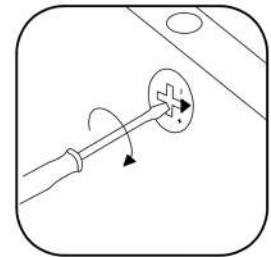
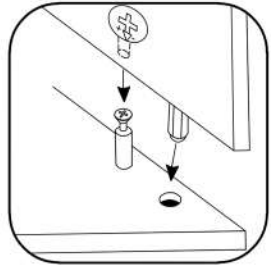
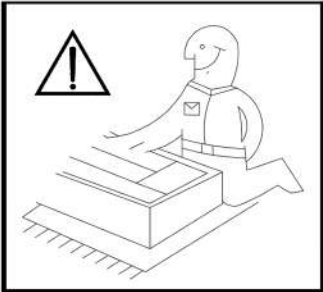
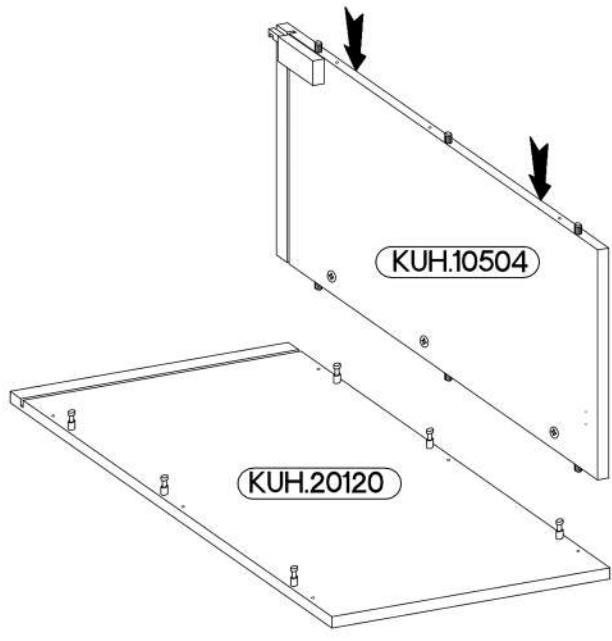


1

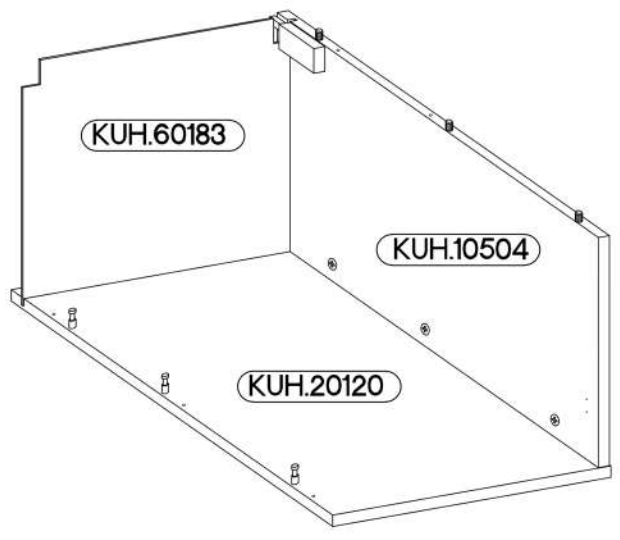
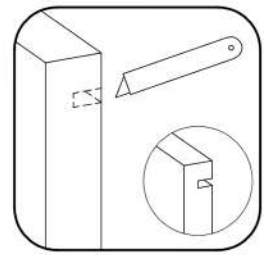
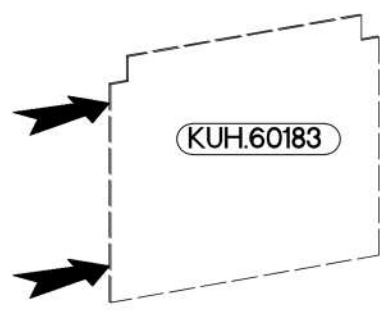
| | | | | |
|---|---|--|---|--|
|  +8x30mm A 12 |  L K9 1 |  R K10 1 |  #15/12mm C 6 |  L=20mm D2 6 |
|---|---|--|---|--|



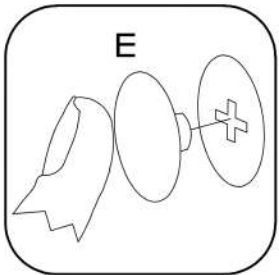
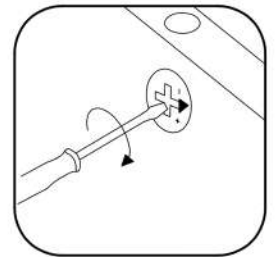
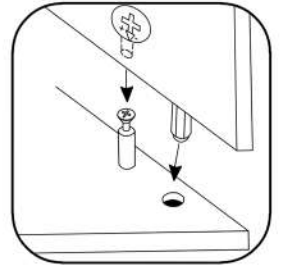
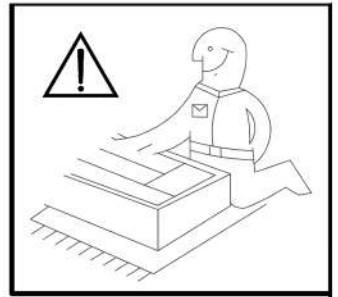
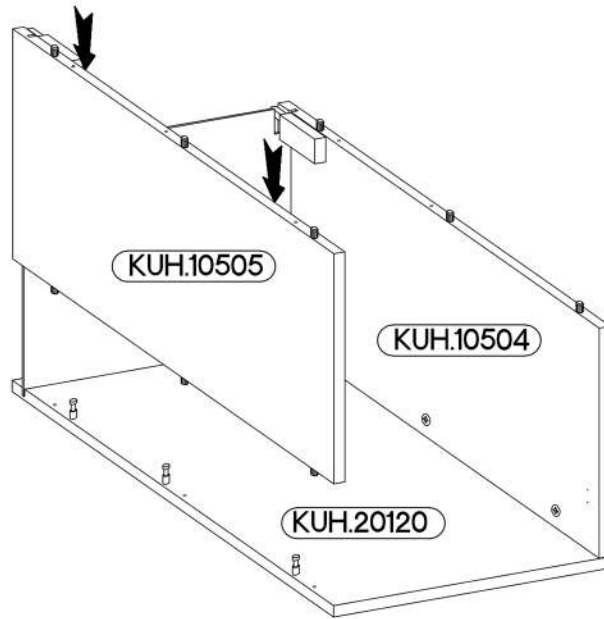
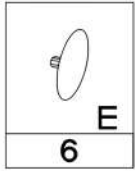
2



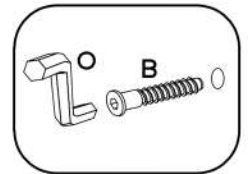
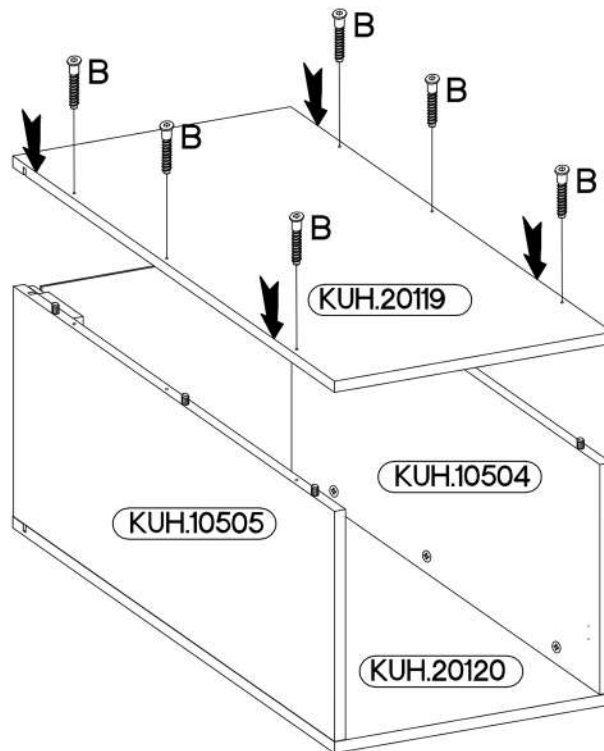
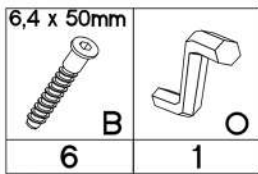
3



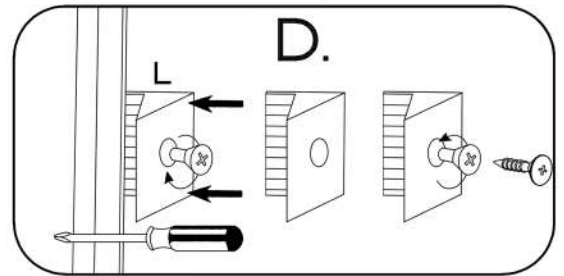
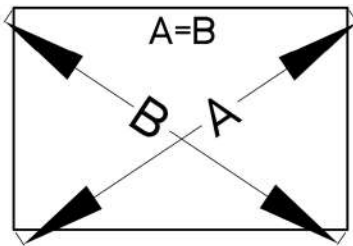
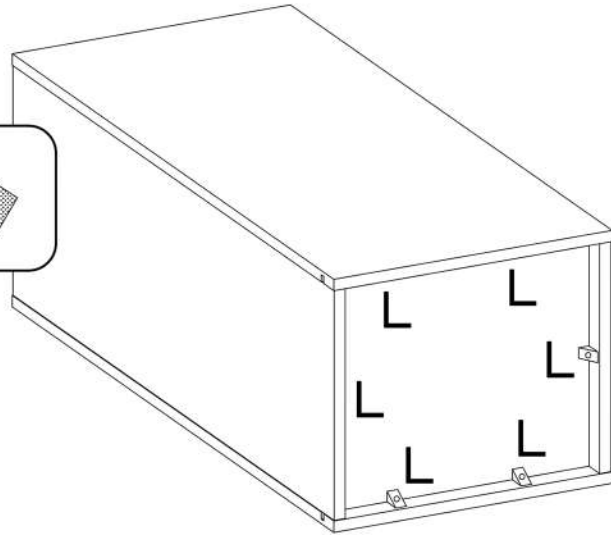
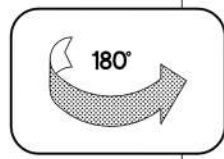
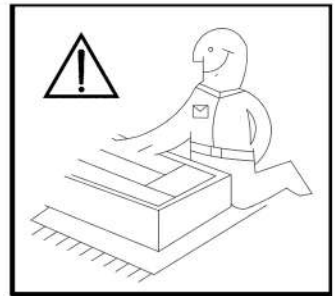
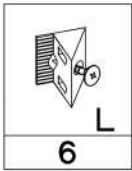
4



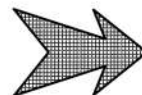
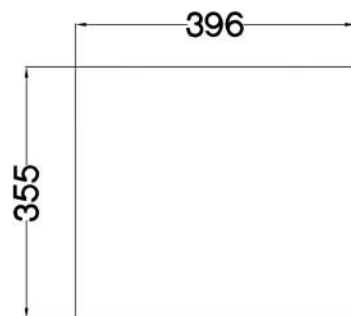
5



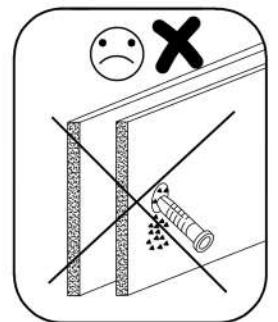
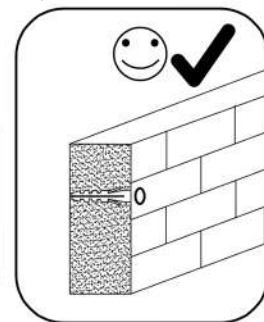
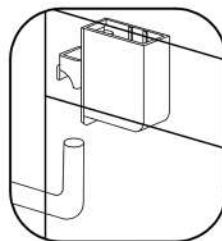
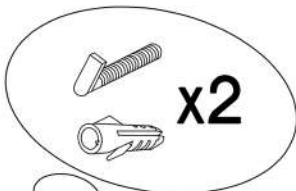
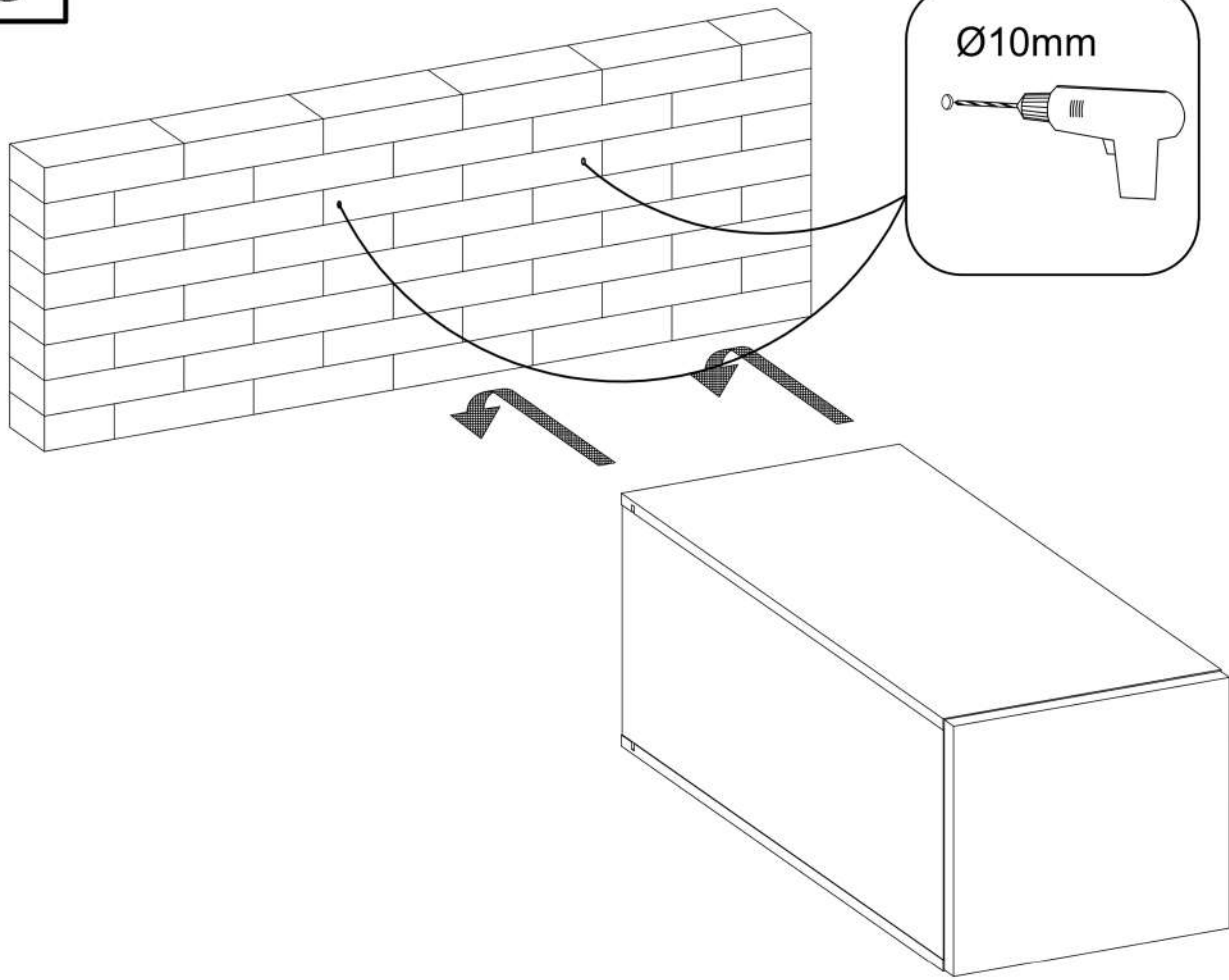
6

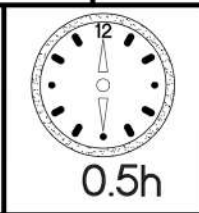
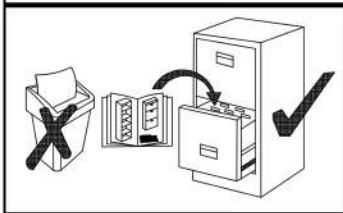
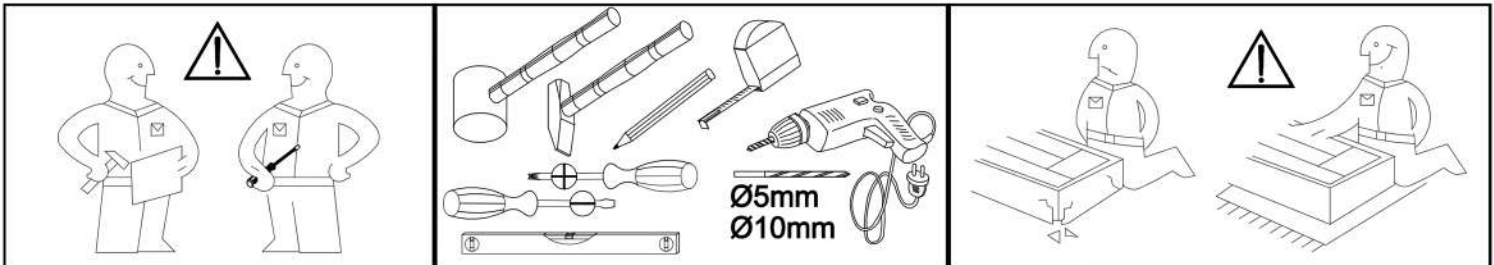


7

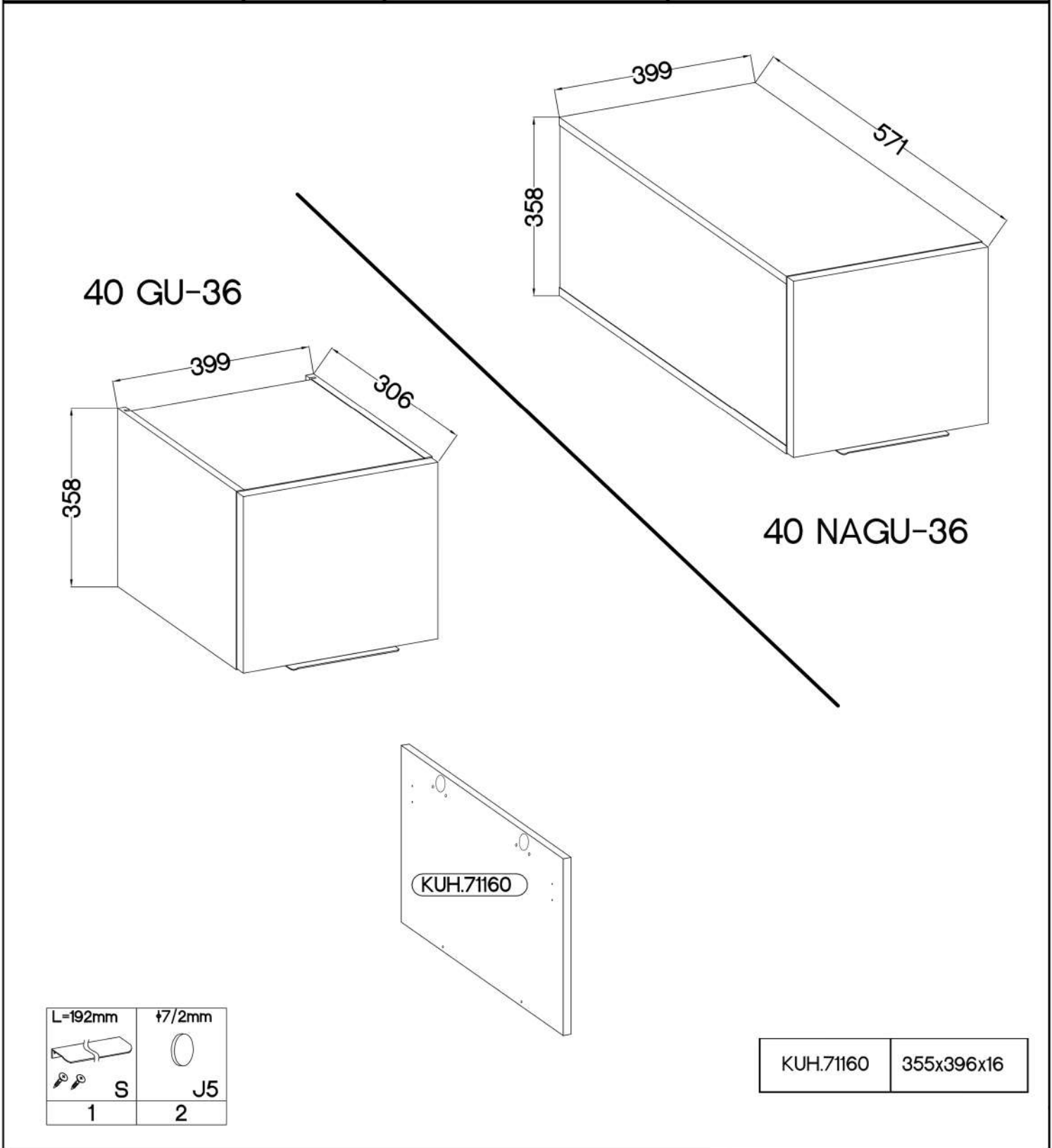
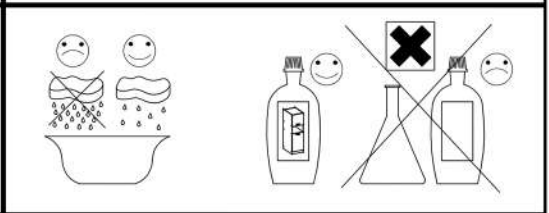


8

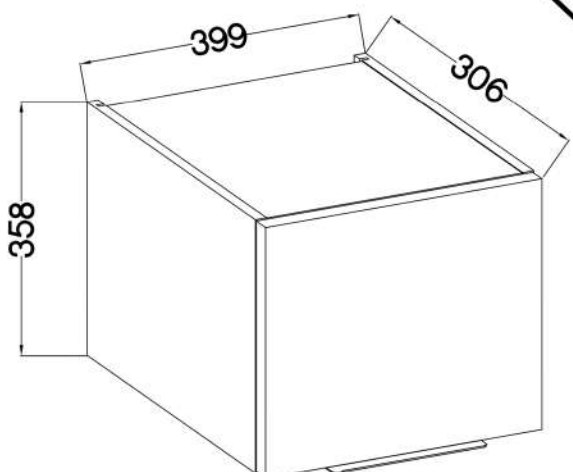




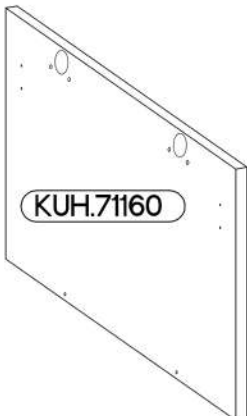
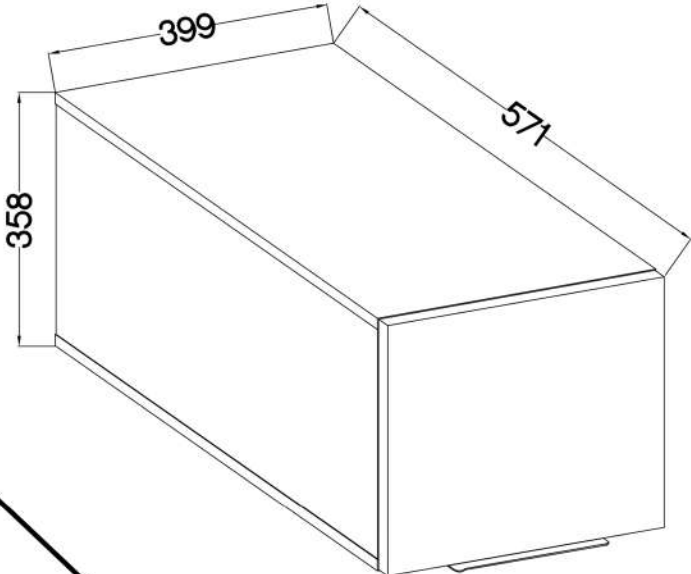
355x396



40 GU-36






40 NAGU-36

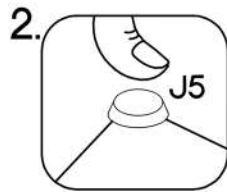
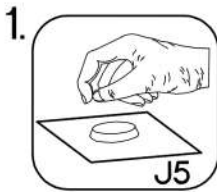
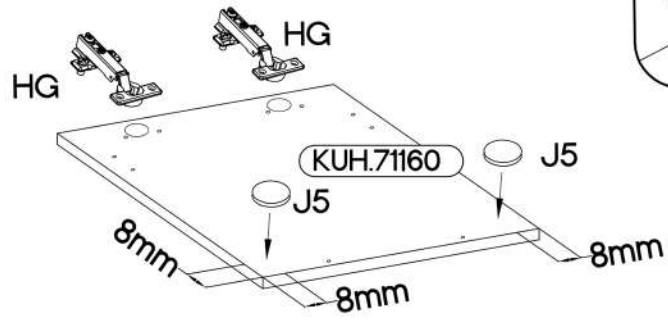
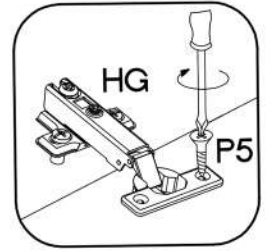


| | |
|---------|--------|
| L=192mm | ±7/2mm |
| | |
| S | J5 |
| 1 | 2 |

| | |
|-----------|------------|
| KUH.71160 | 355x396x16 |
|-----------|------------|

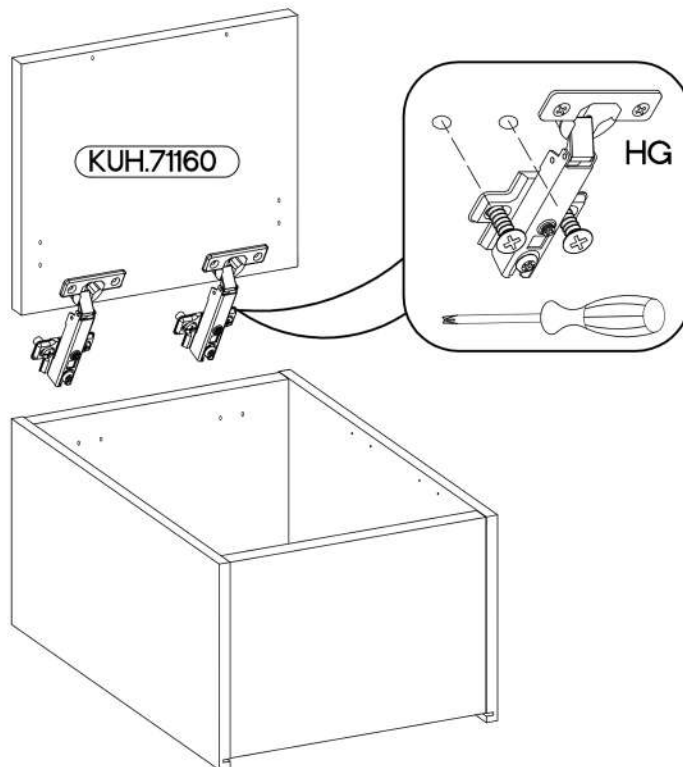
1

| | | |
|--|--|--|
| $\pm 35/0\text{mm}$  [CD] HG 2 | $\pm 3.5 \times 13\text{mm}$  P5 4 | $\pm 7/2\text{mm}$  J5 2 |
|--|--|--|

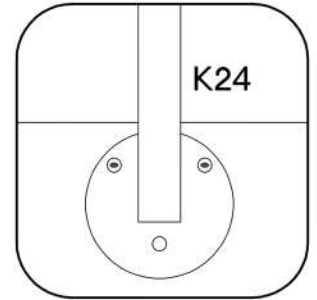
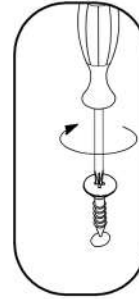
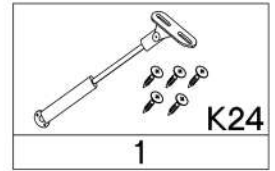
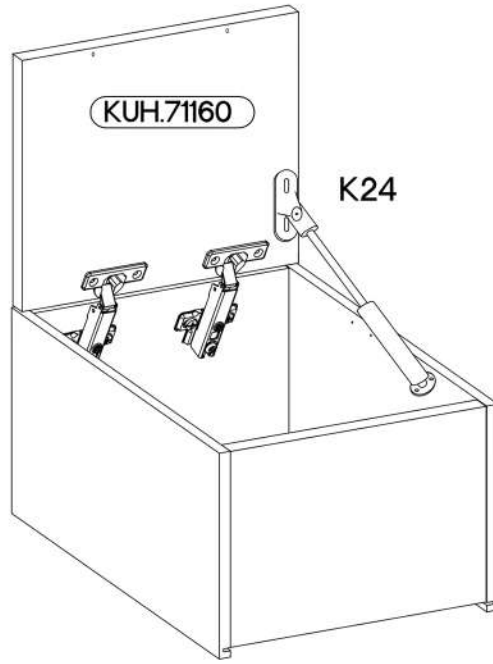


2

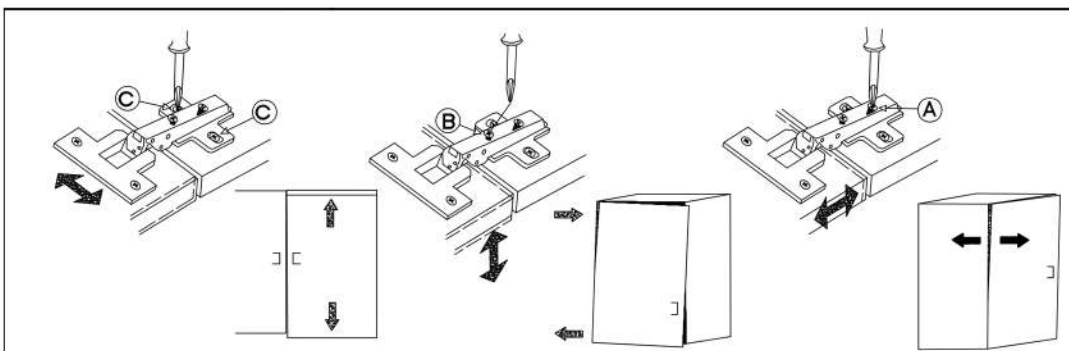
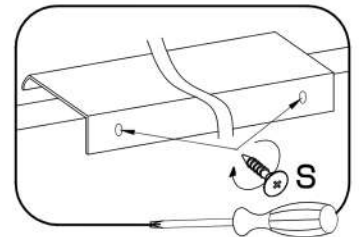
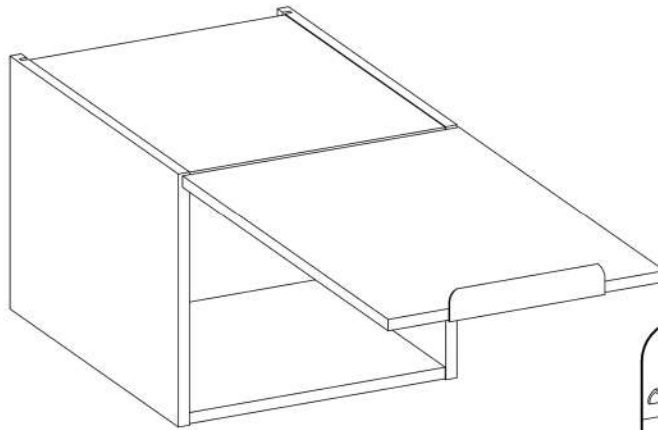
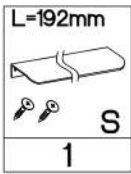
40 GU-36



3

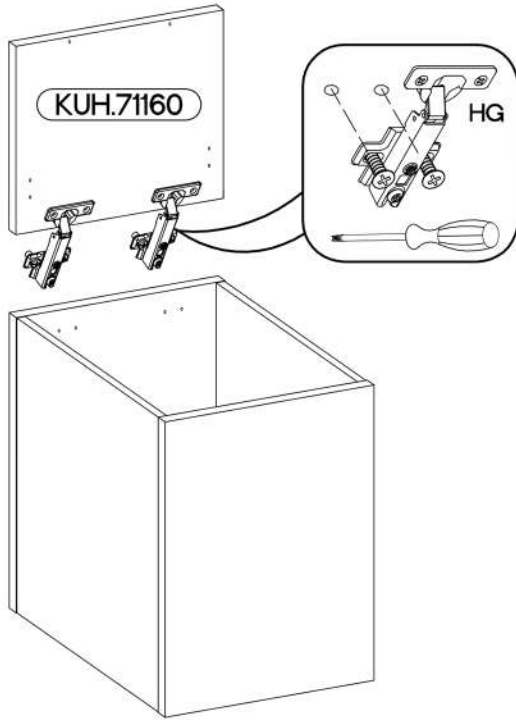


4

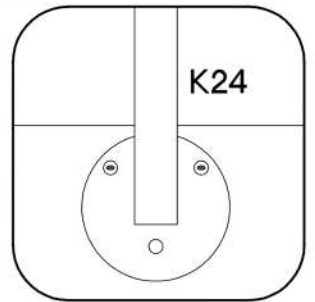
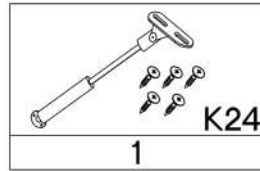
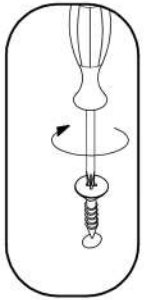
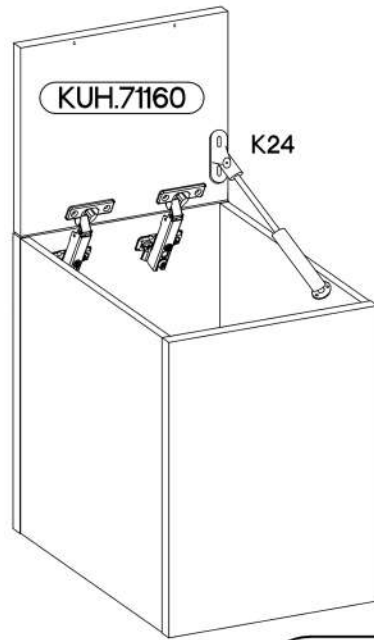


5

40 NAGU-36



6



7

