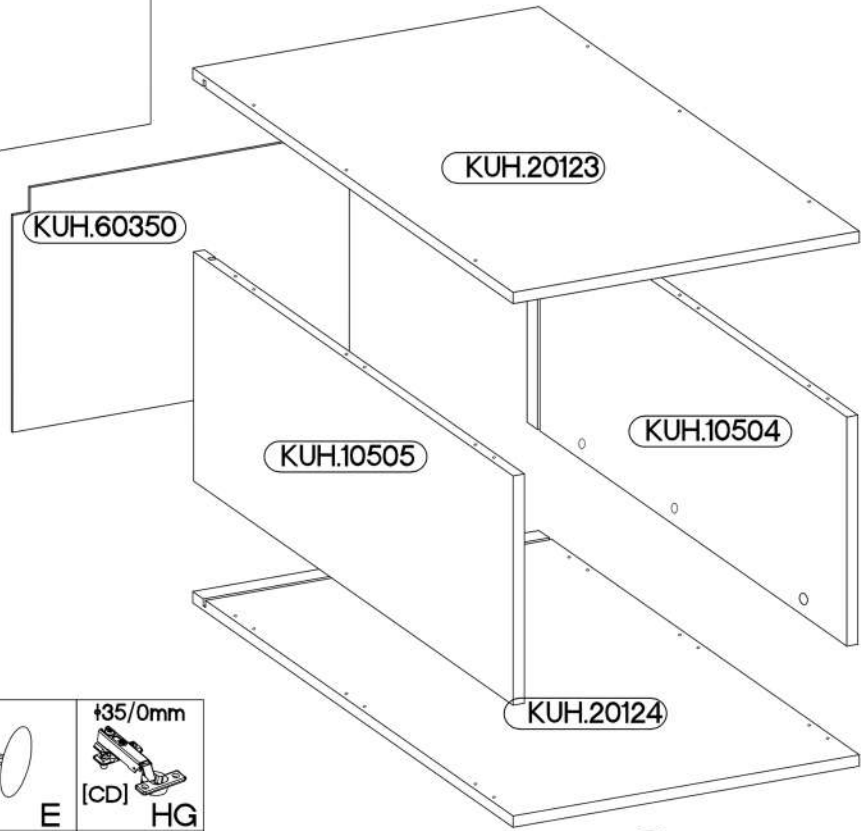
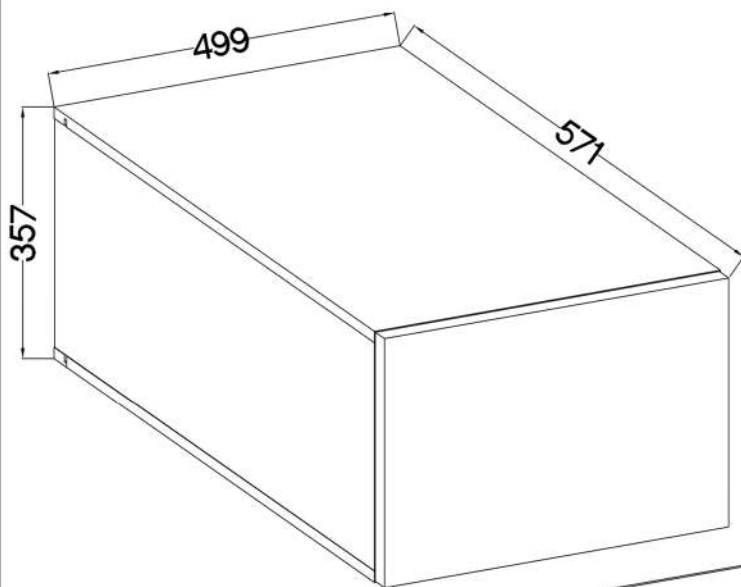


# FRISBO 50 NAGU-36 1F


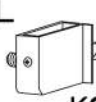
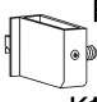




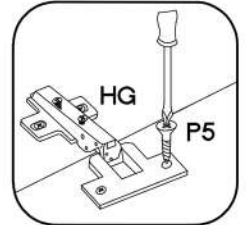
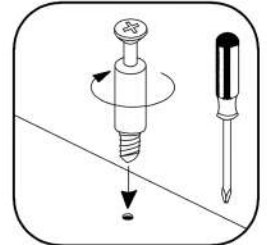
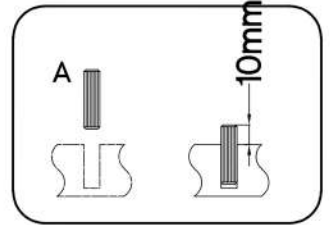
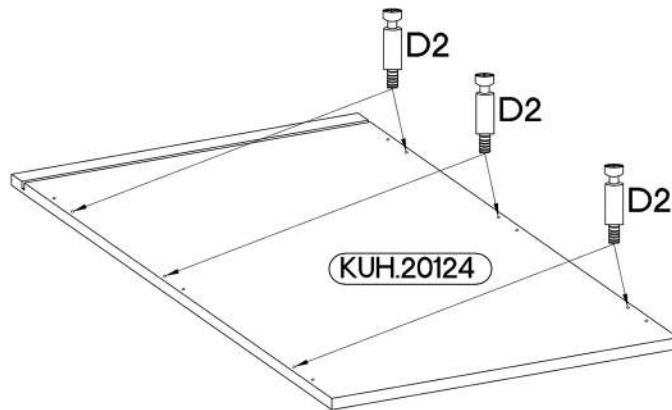
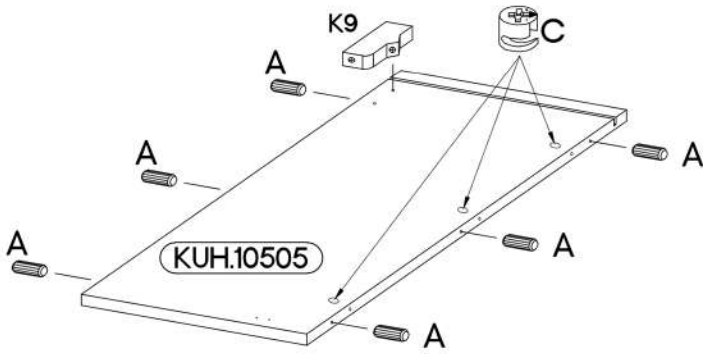
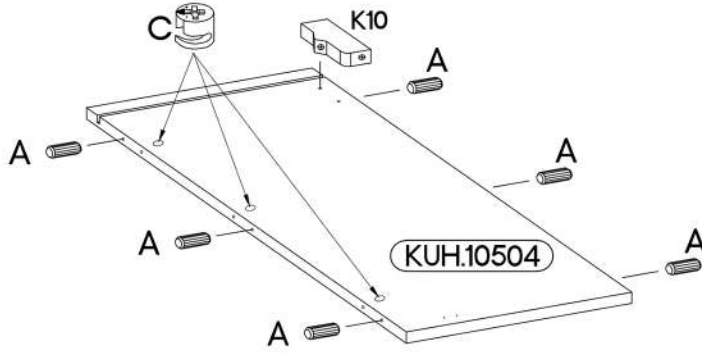
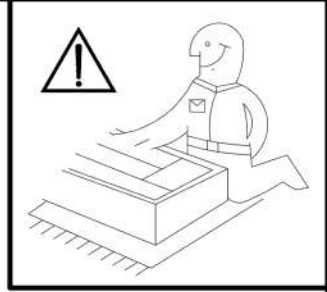
KUH.10504	325x554x16
KUH.10505	325x554x16
KUH.20123	499x555x16
KUH.20124	499x555x16
KUH.60350	343x485x2,5

$\varnothing 8 \times 30 \text{mm}$ A 12	6,4 x 50mm B 6	$\varnothing 15 / 12 \text{mm}$ C 6	L=20mm D2 6	E 6	$\varnothing 35 / 0 \text{mm}$ HG 2
L K9 1	R K10 1	K24 2	L 6	O 1	$\varnothing 3,5 \times 13 \text{mm}$ P5 4

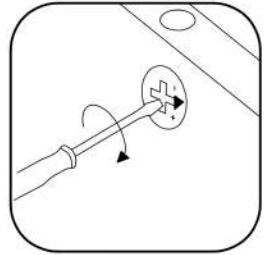
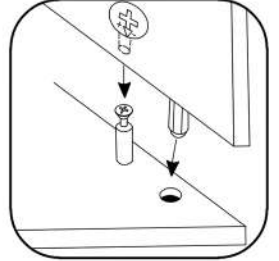
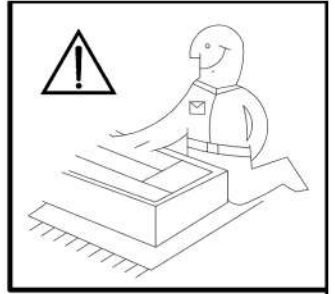
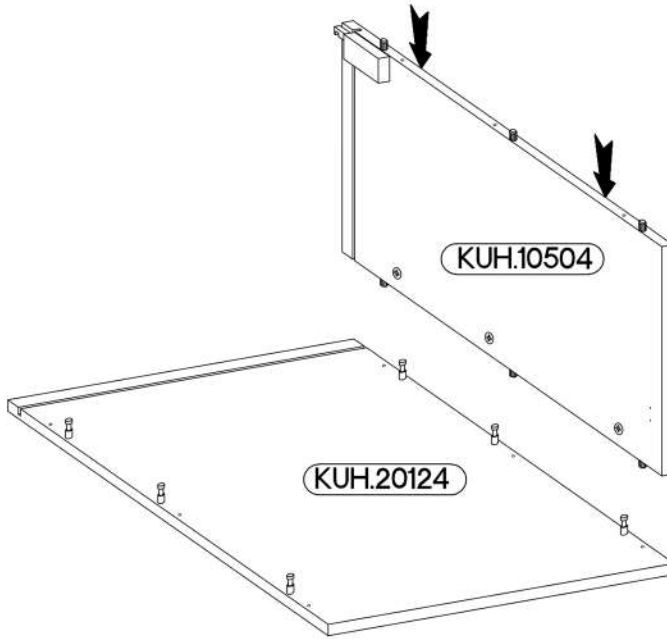


1

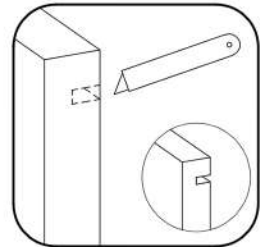
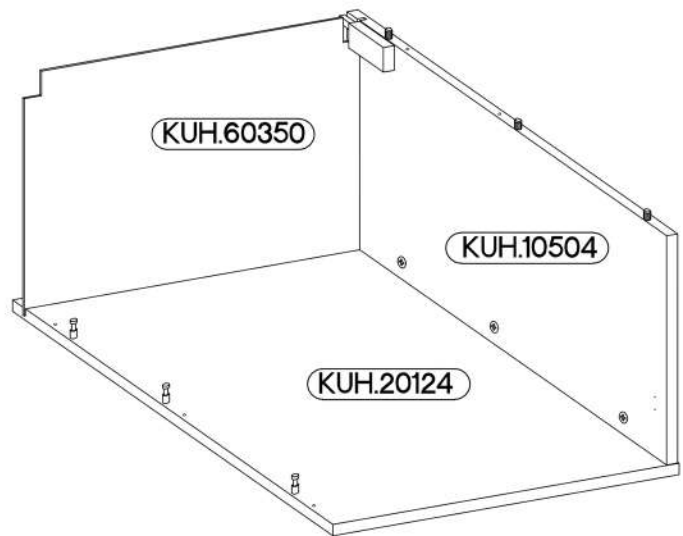
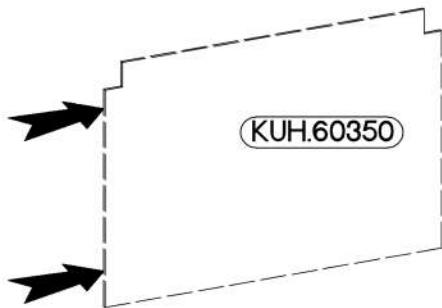
$\varnothing 8 \times 30 \text{mm}$  A 12	L  K9 1	R  K10 1	$\varnothing 15 / 12 \text{mm}$  C 6	L=20mm  D2 6
---	---	--	--	--



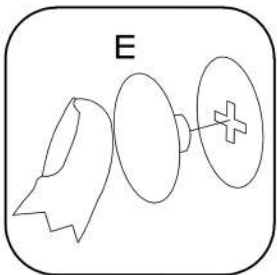
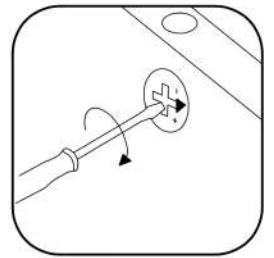
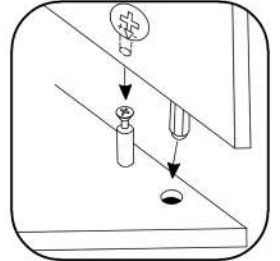
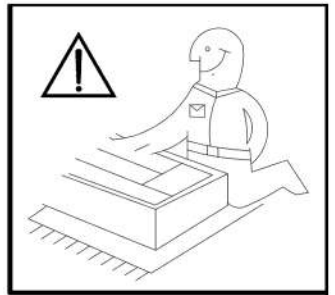
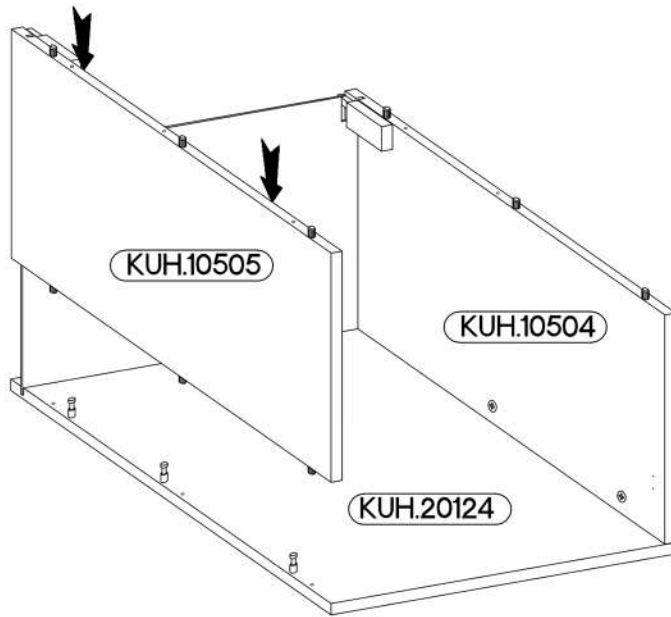
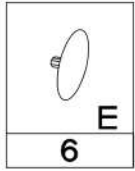
2



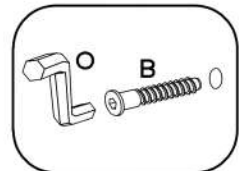
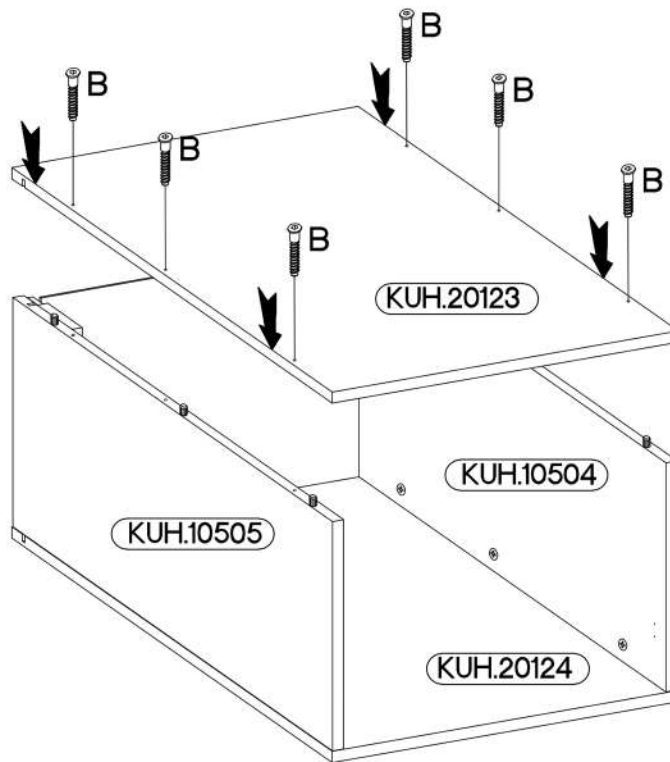
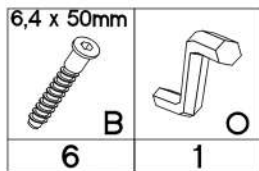
3



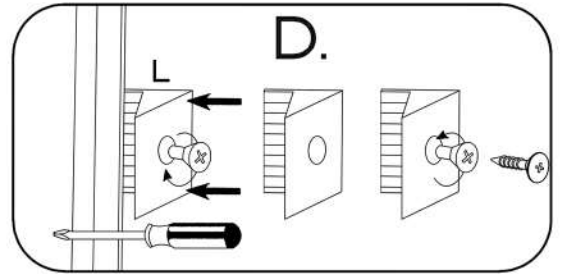
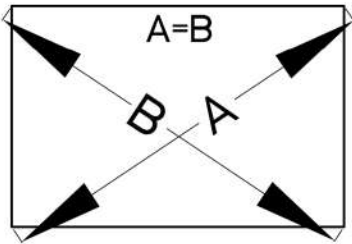
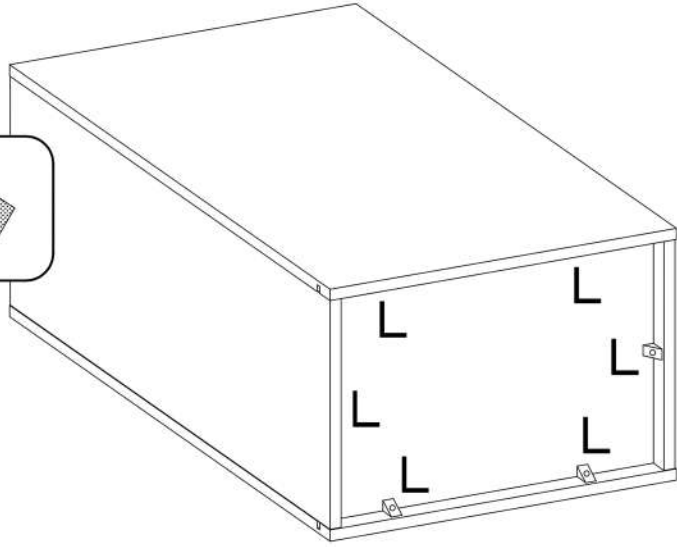
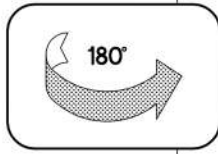
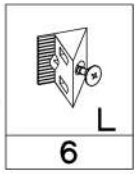
4



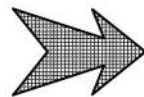
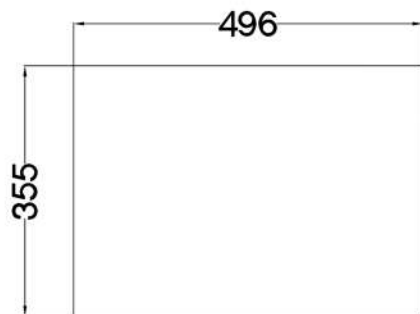
5

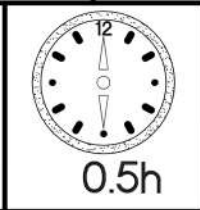
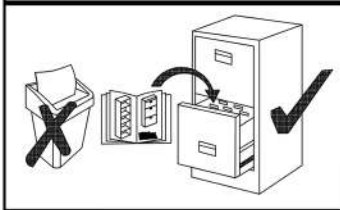
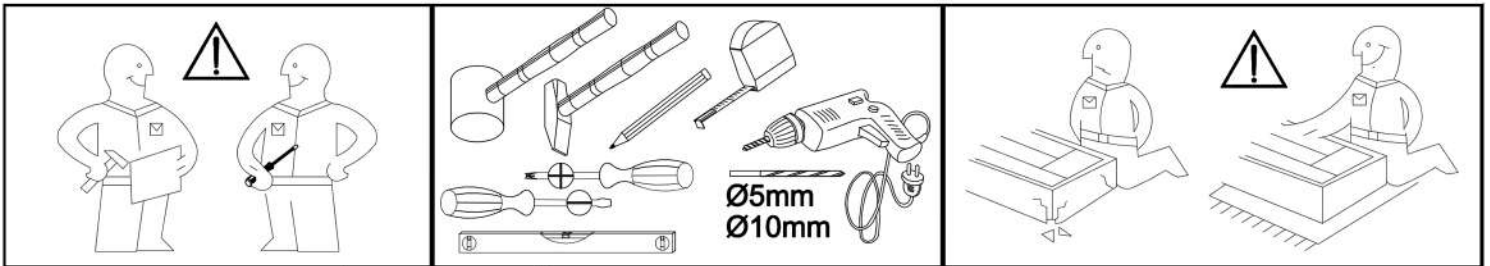


6

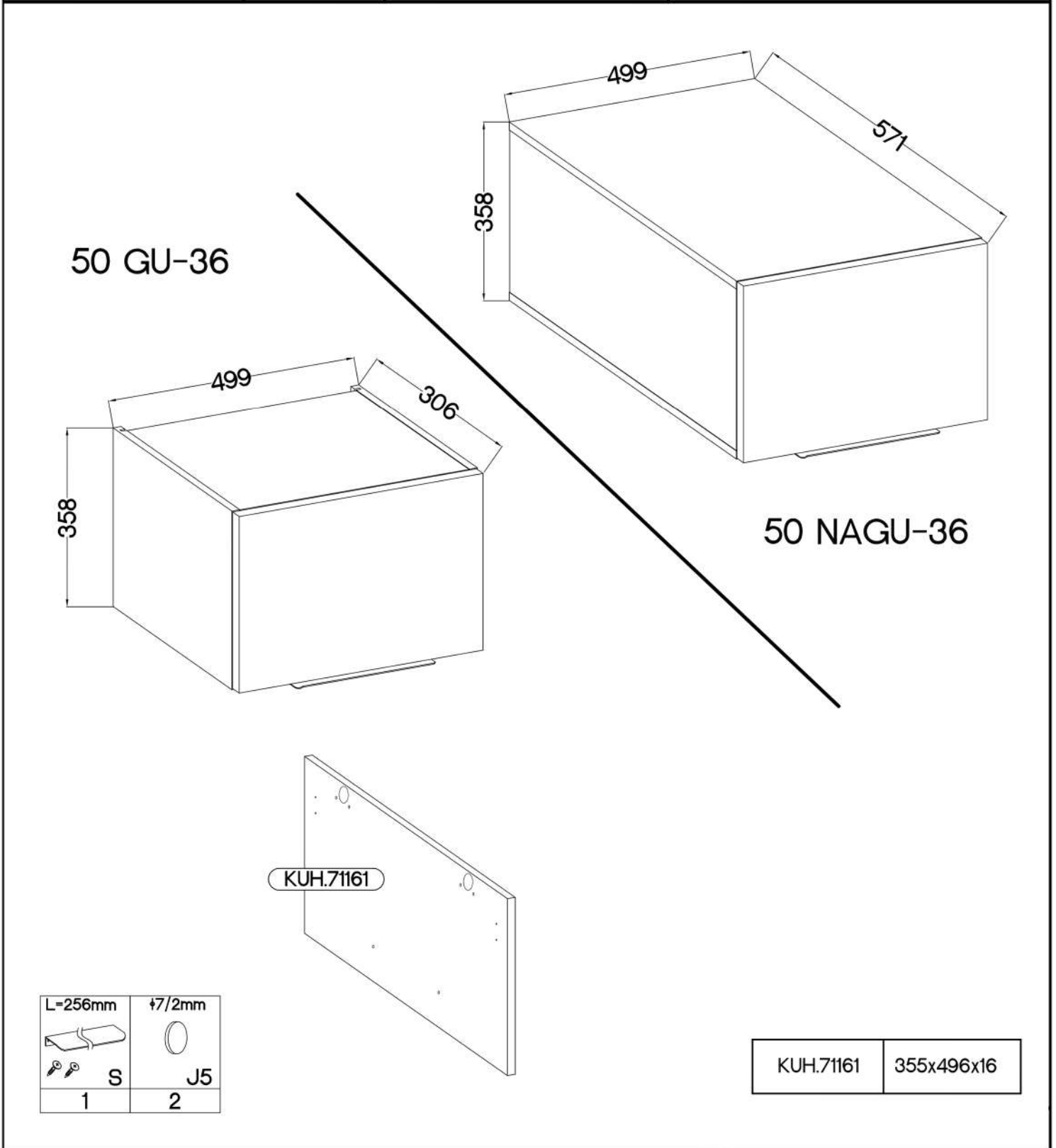


7








**355x496**



50 GU-36




50 NAGU-36

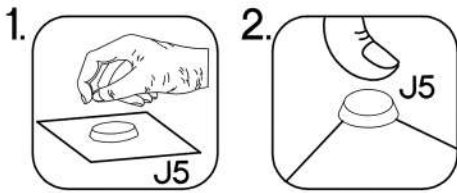
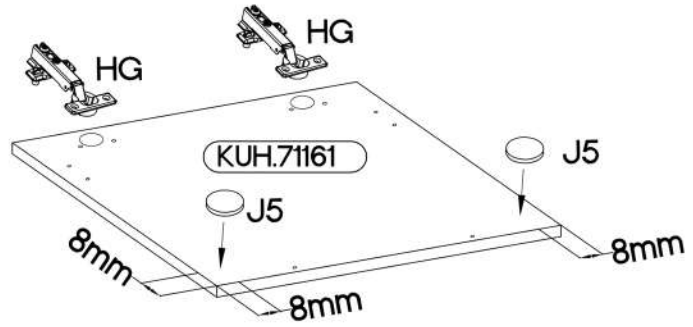
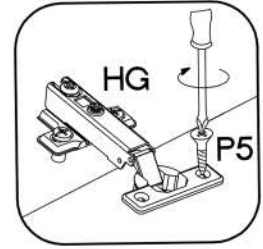
KUH.71161

L=256mm	±7/2mm
	
 S	J5
1	2

KUH.71161	355x496x16
-----------	------------

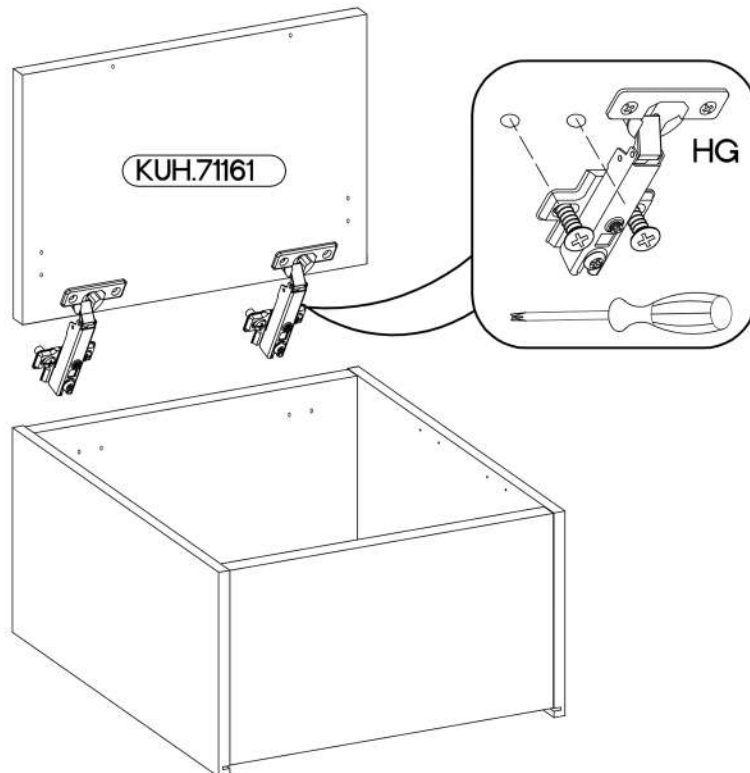
# 1

$\pm 35/0\text{mm}$  [CD] HG 2	$\pm 3.5 \times 13\text{mm}$  P5 4	$\pm 7/2\text{mm}$  J5 2
--	--	--

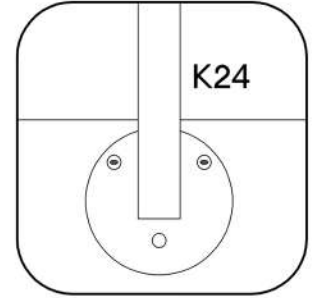
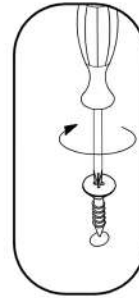
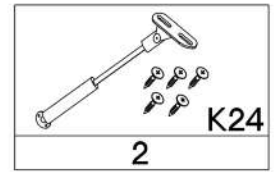
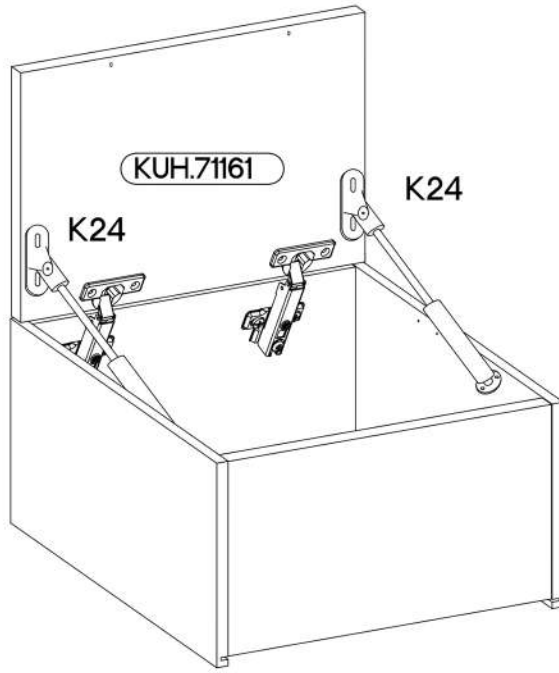


# 2

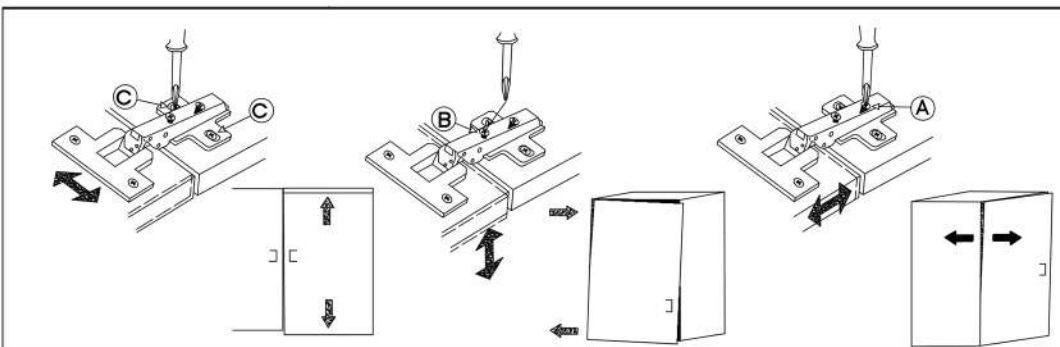
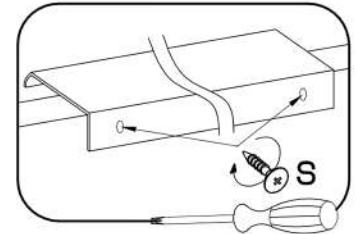
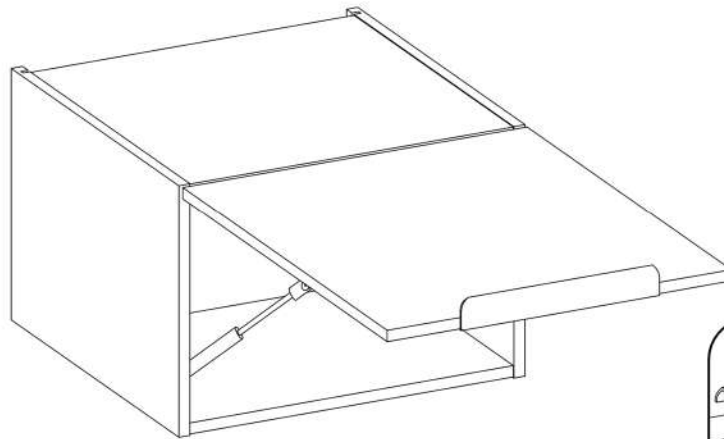
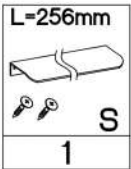
## 50 GU-36



3

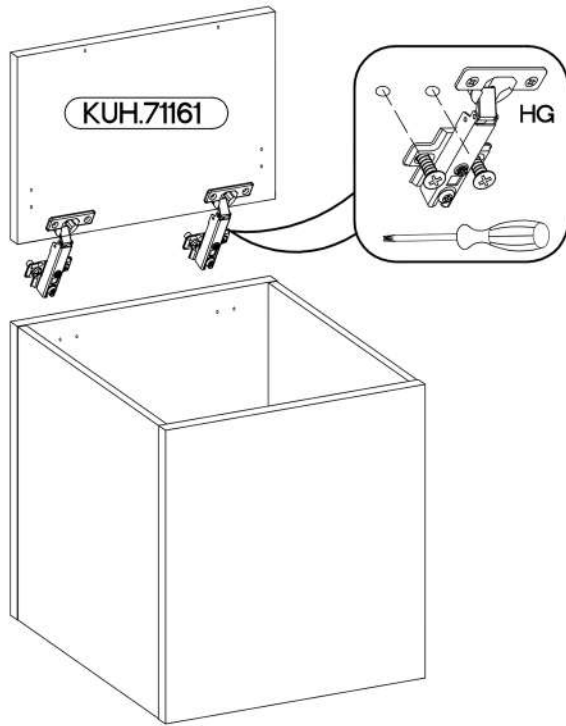


4

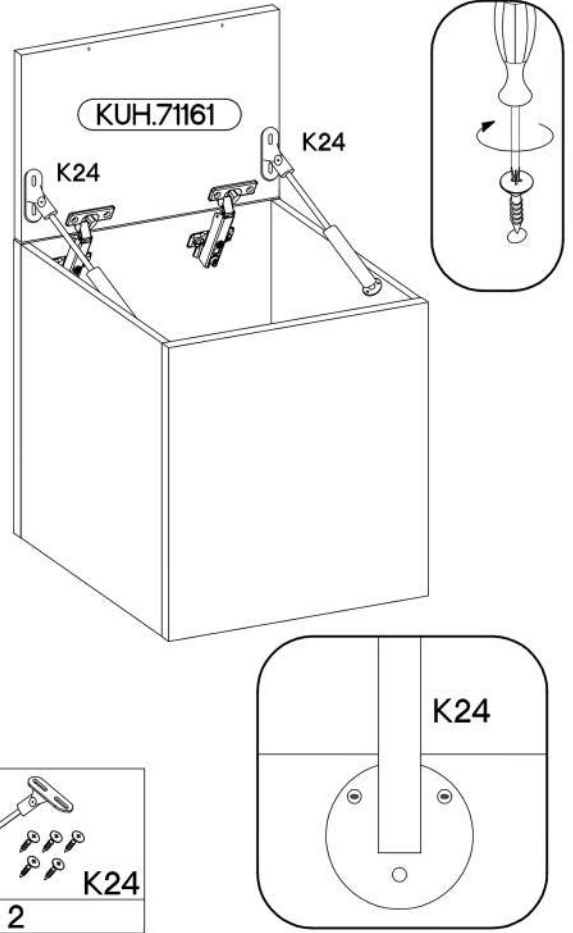


5

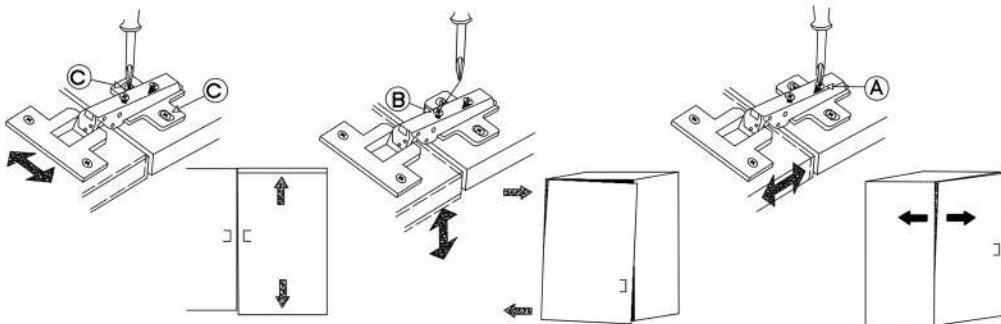
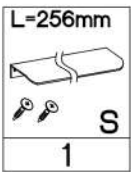
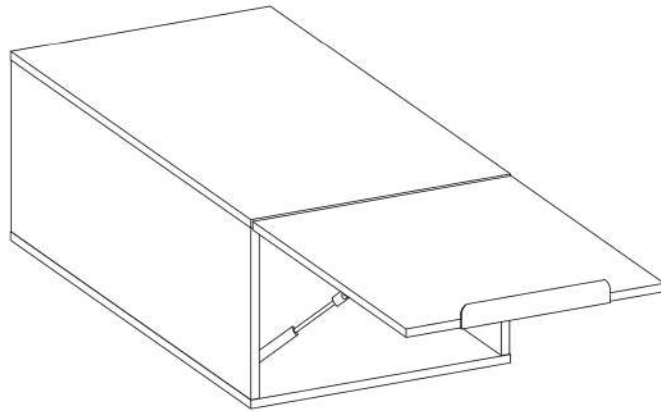
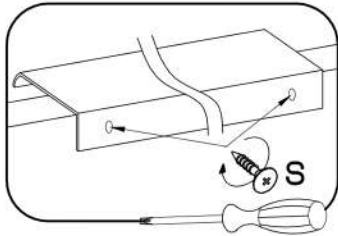
50 NAGU-36



6



7



8

