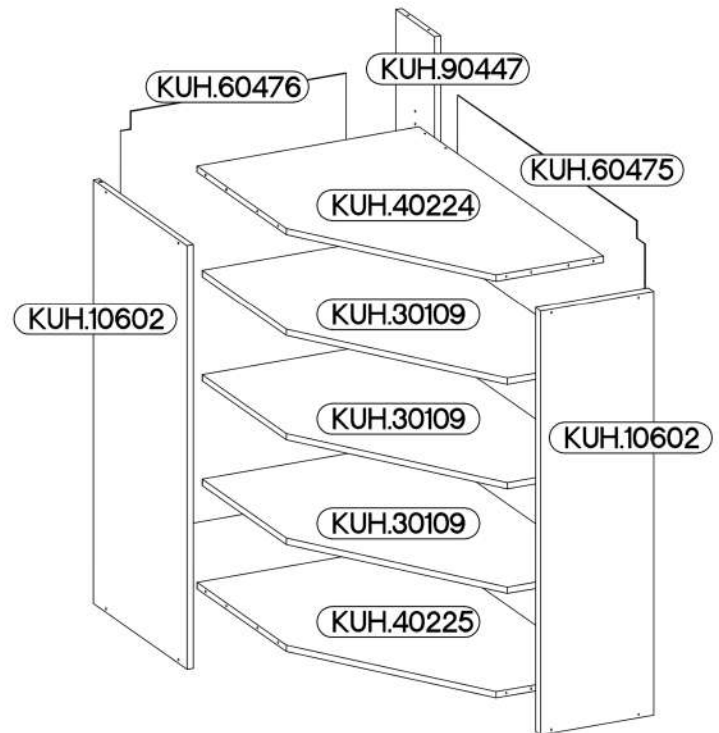
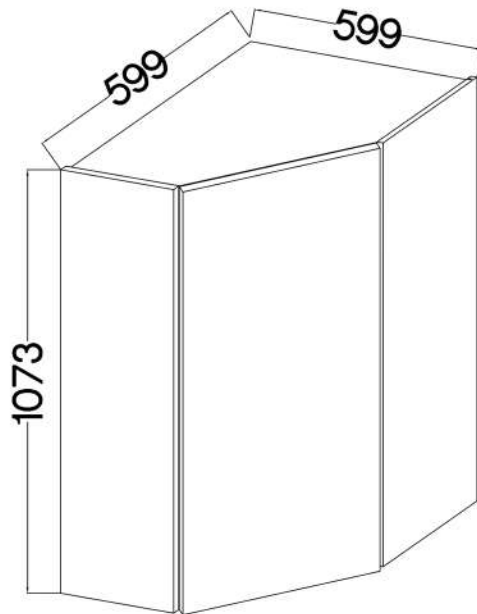


FRISBO 60x60 GN-108 1F 45°



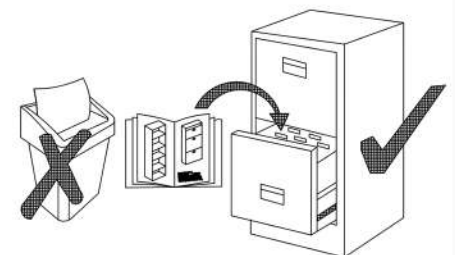
KUH.30109
KUH.40225






KUH.10602 x2	1073x290x16
KUH.30109 x3	570x554x16
KUH.40424	570x570x16
KUH.40425	570x570x16
KUH.60475	1070x578x2,5
KUH.60476	1070x578x2,5
KUH.90447	1039x120x16

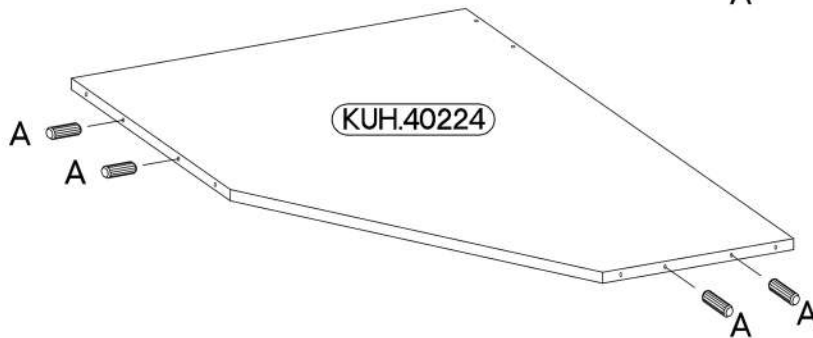
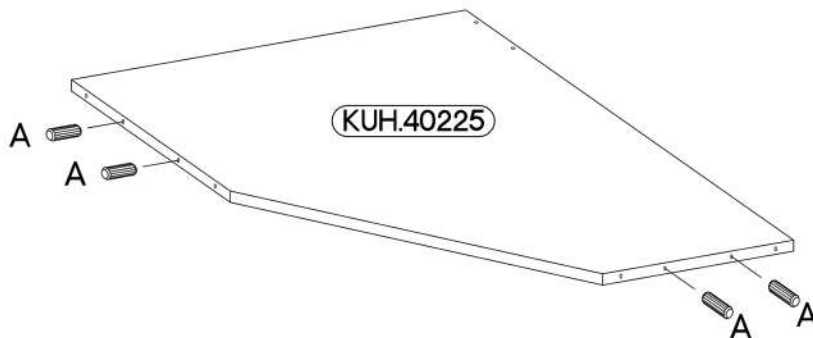
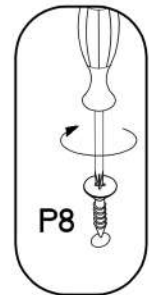
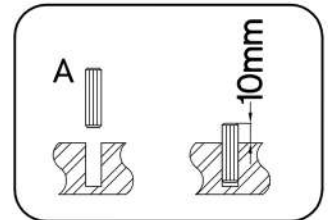
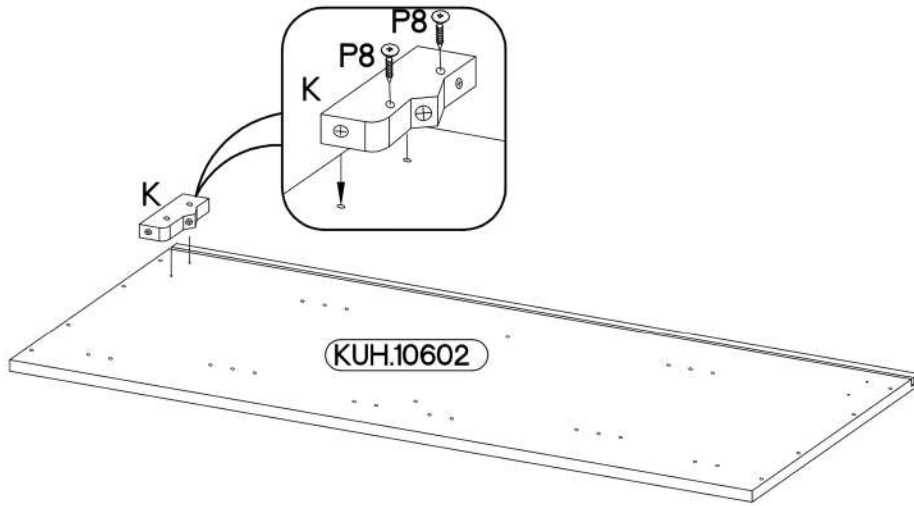
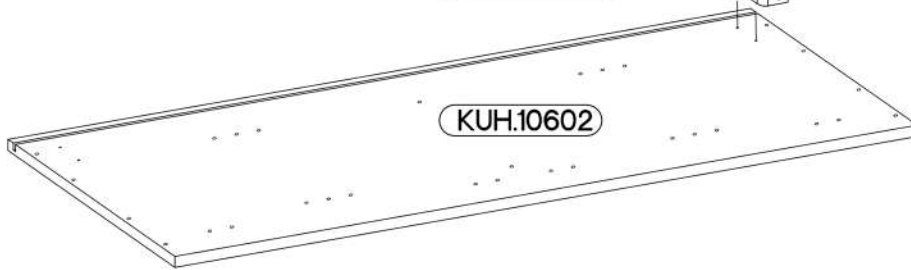
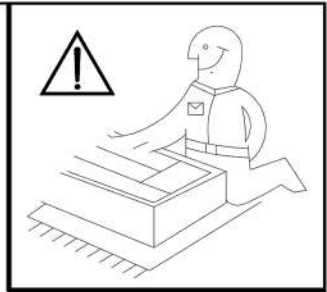
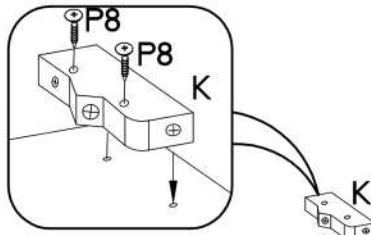


+8x30mm A	6,4 x 50mm B	E1	+35/45 HG7		
8	12	12	3		
+5/16mm J3	K	O	+3.5x13mm P5	+3.0x16mm P11	+4.0x30mm P8
15	2	1	6	30-35	4



1

 8x30mm A	 4.0x30mm P8	 K
8	4	2



2

6,4 x 50mm



B

4



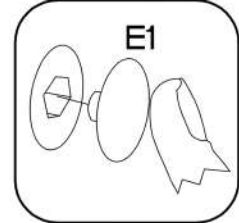
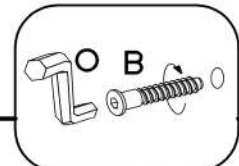
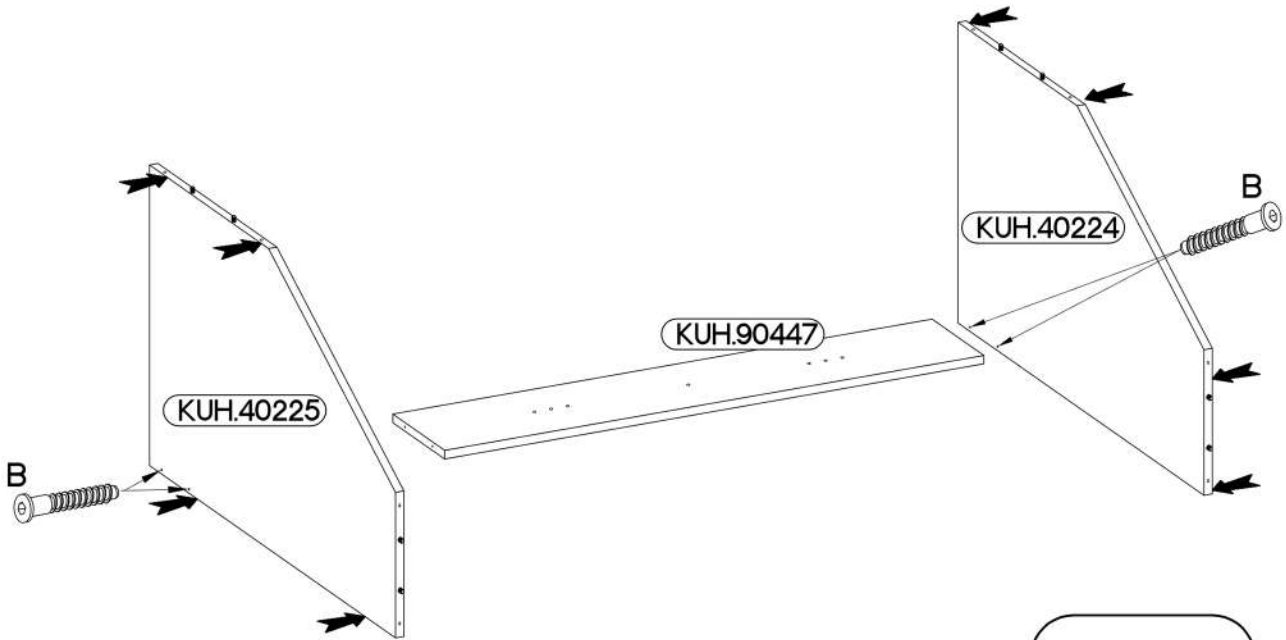
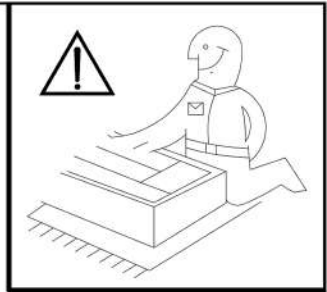
O

1

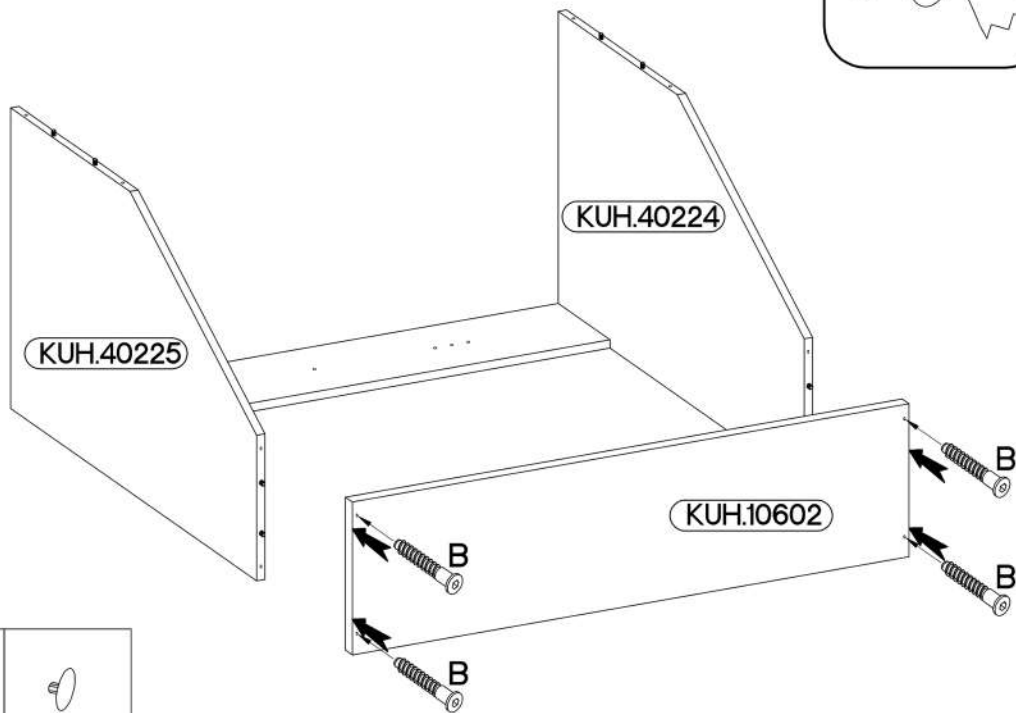


E1

4



3



6,4 x 50mm



B

4



O




1

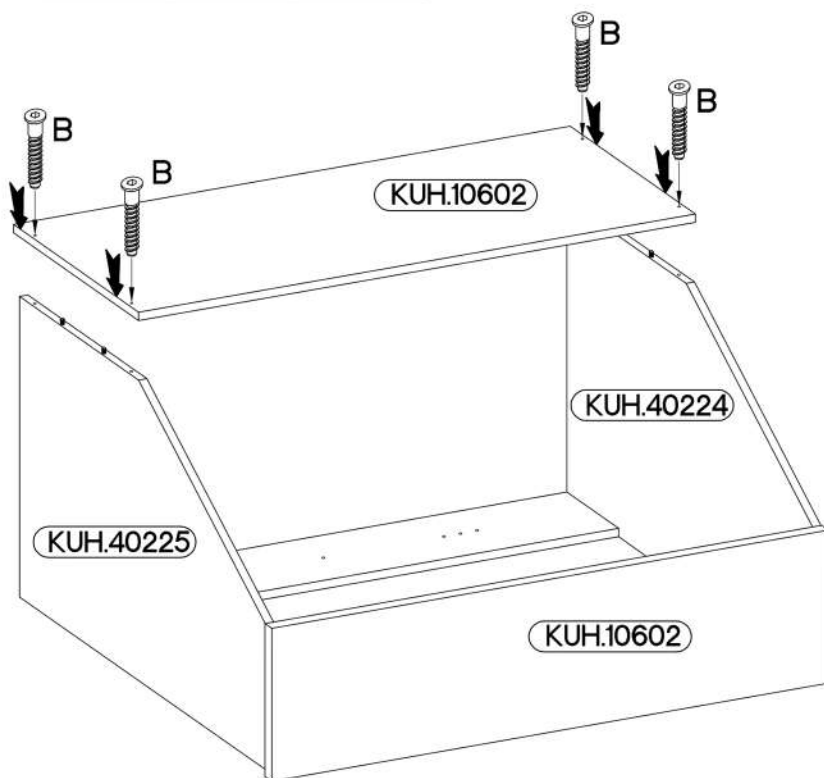
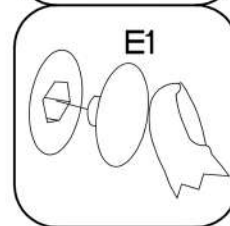
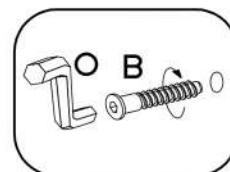


E1


4

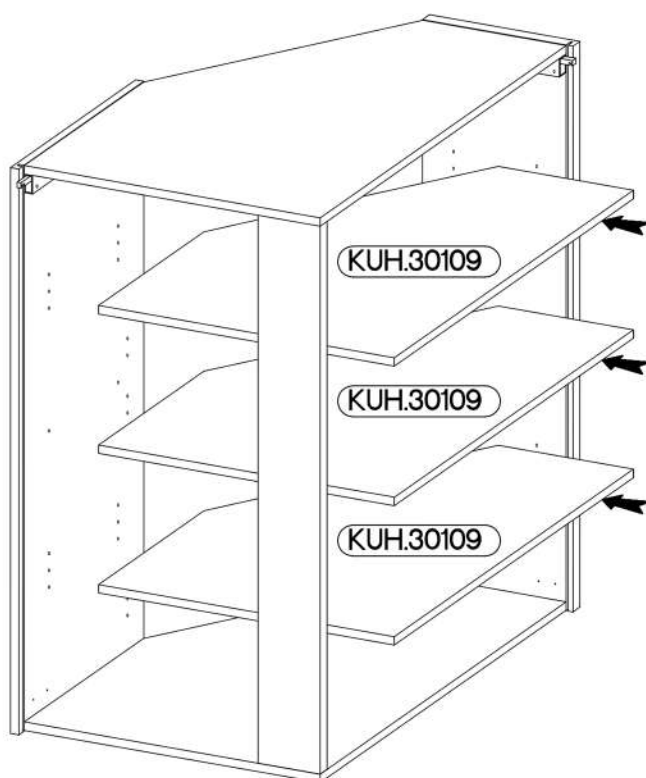
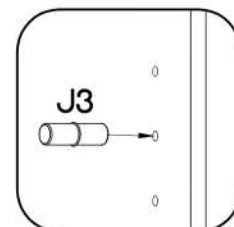
4

6,4 x 50mm		
		
B	O	E1
4	1	4

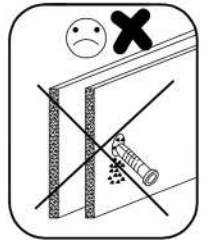
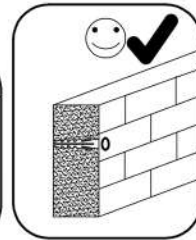
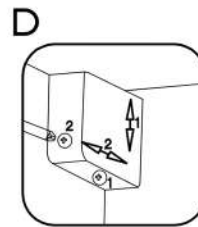
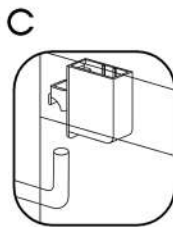
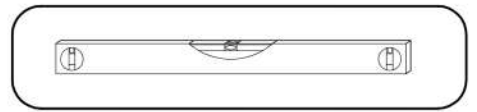
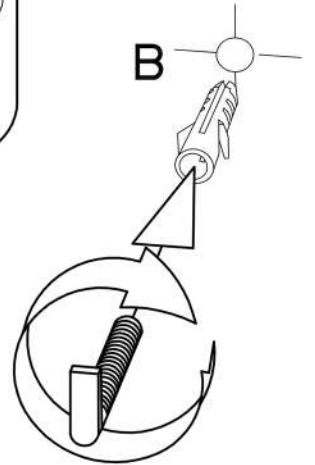
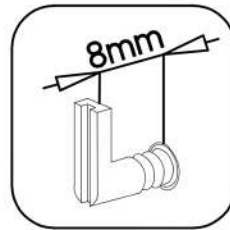
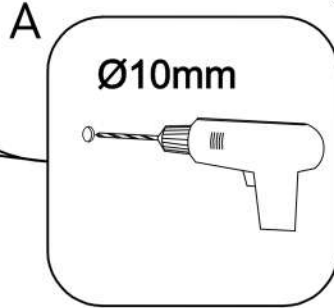
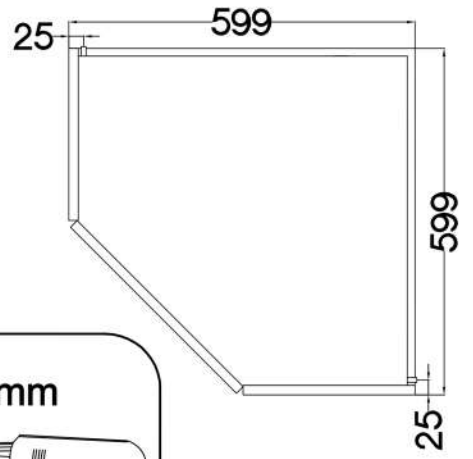
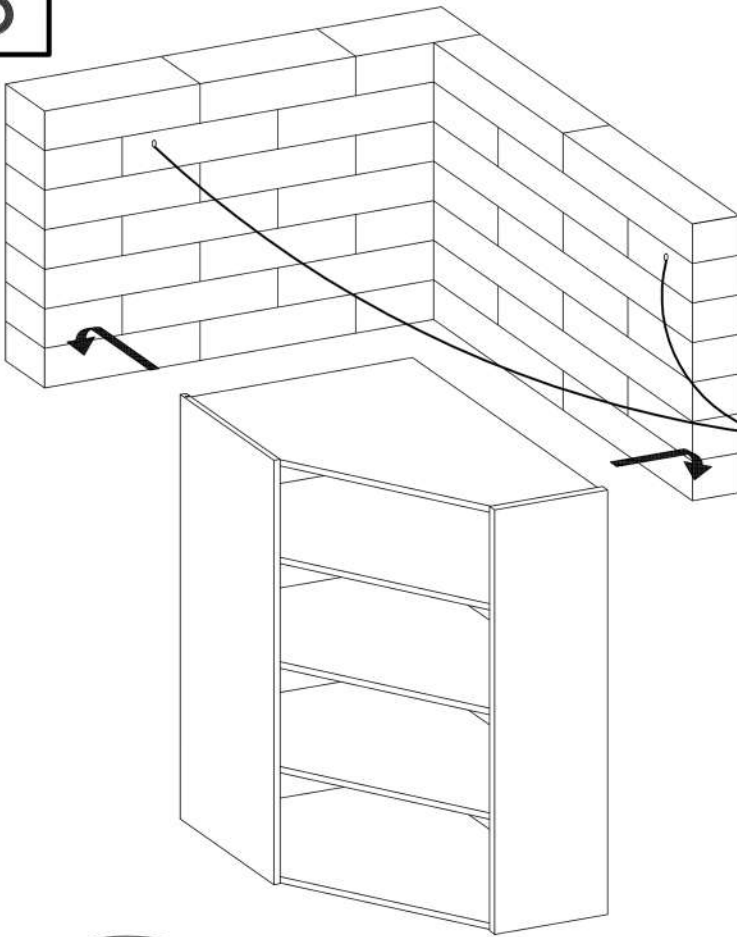


5

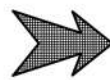
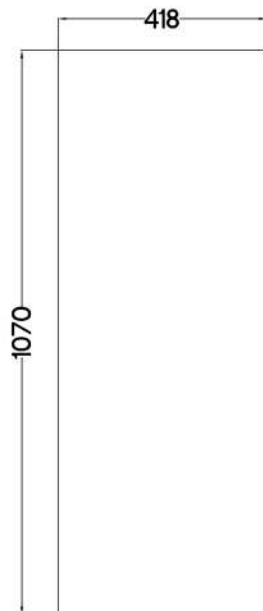
±5/16mm

J3
15

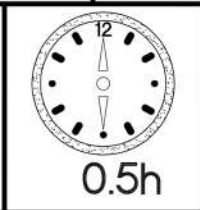
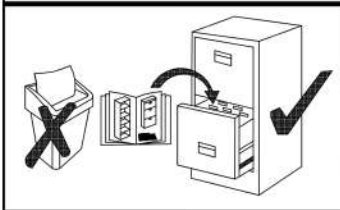
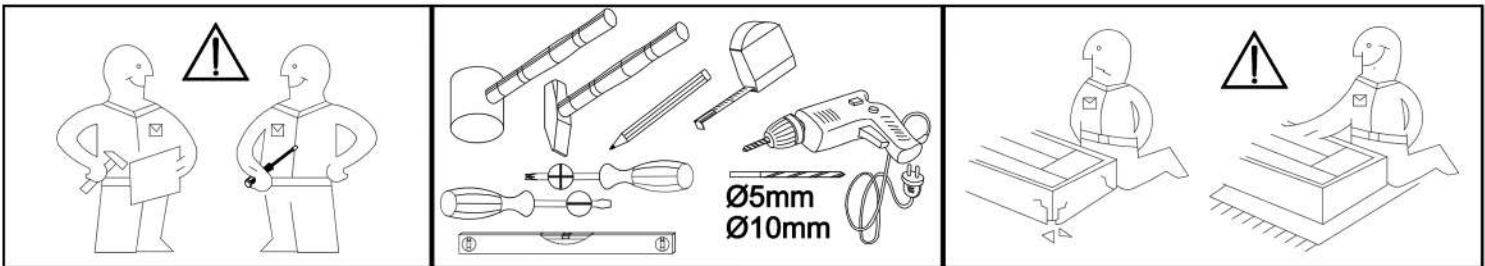


8

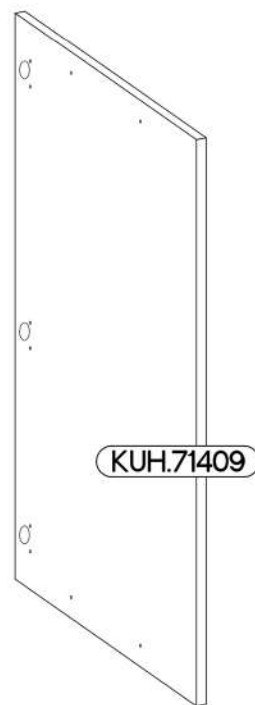
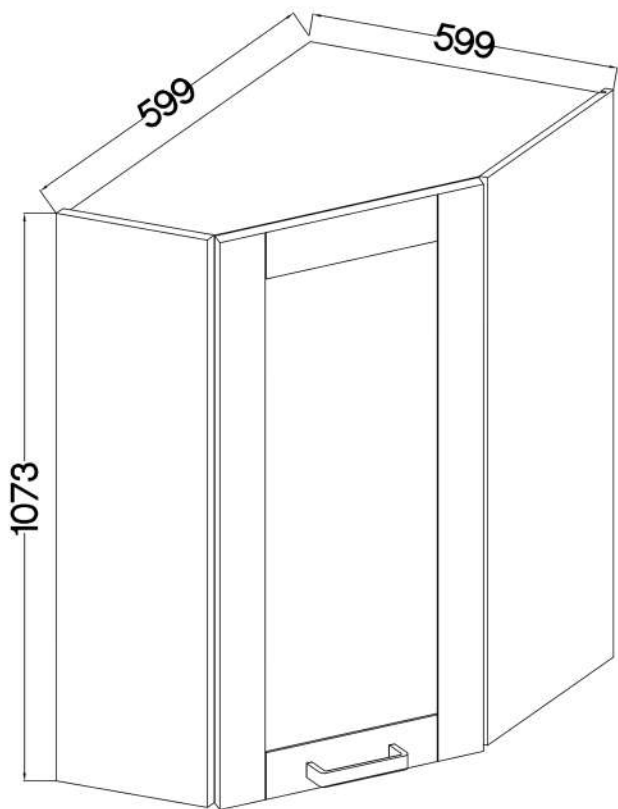
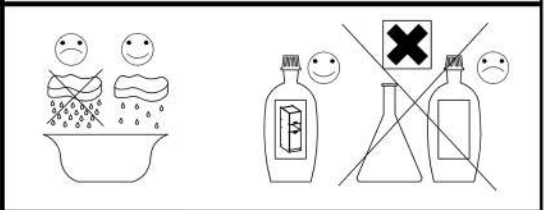


9



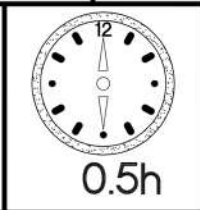
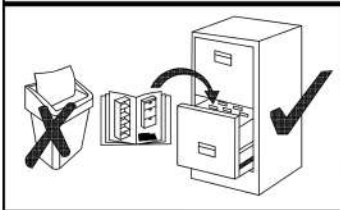
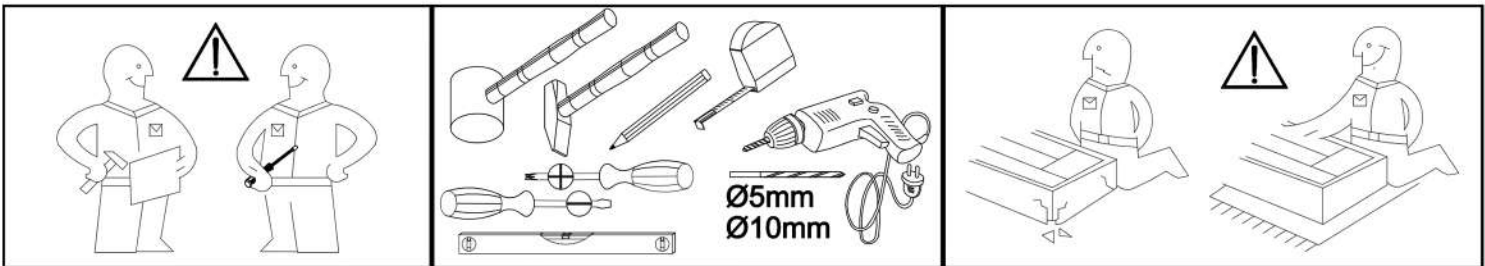


60x60 GN-108 1F

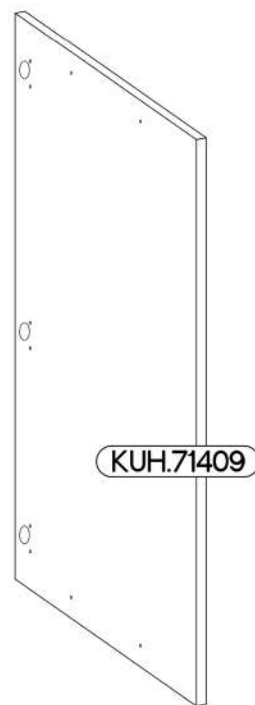
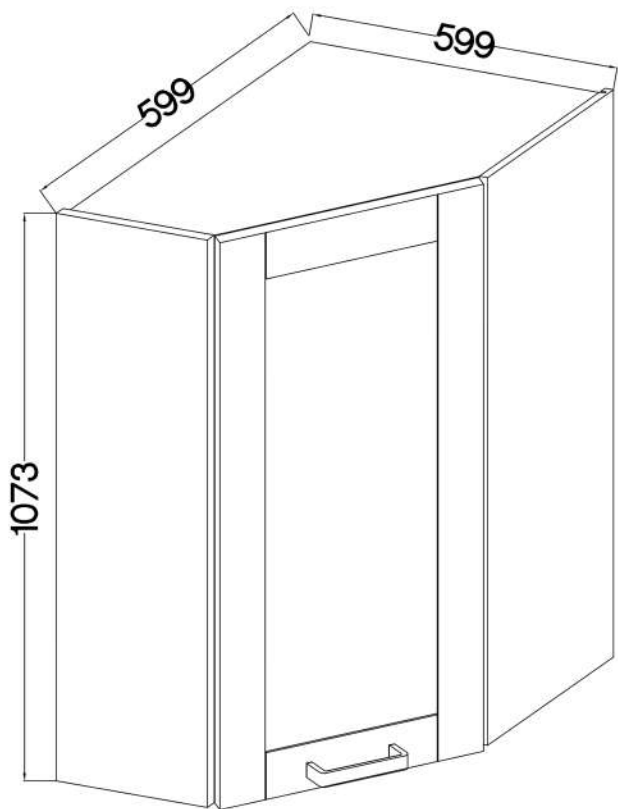
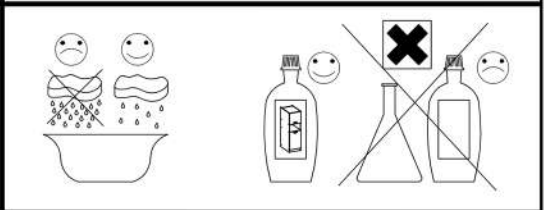




L=160mm	M4x27mm
S	U8
1	2

KUH.71409	1070x418x19
-----------	-------------



60x60 GN-108 1F



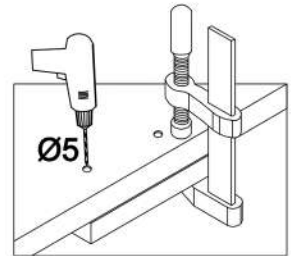
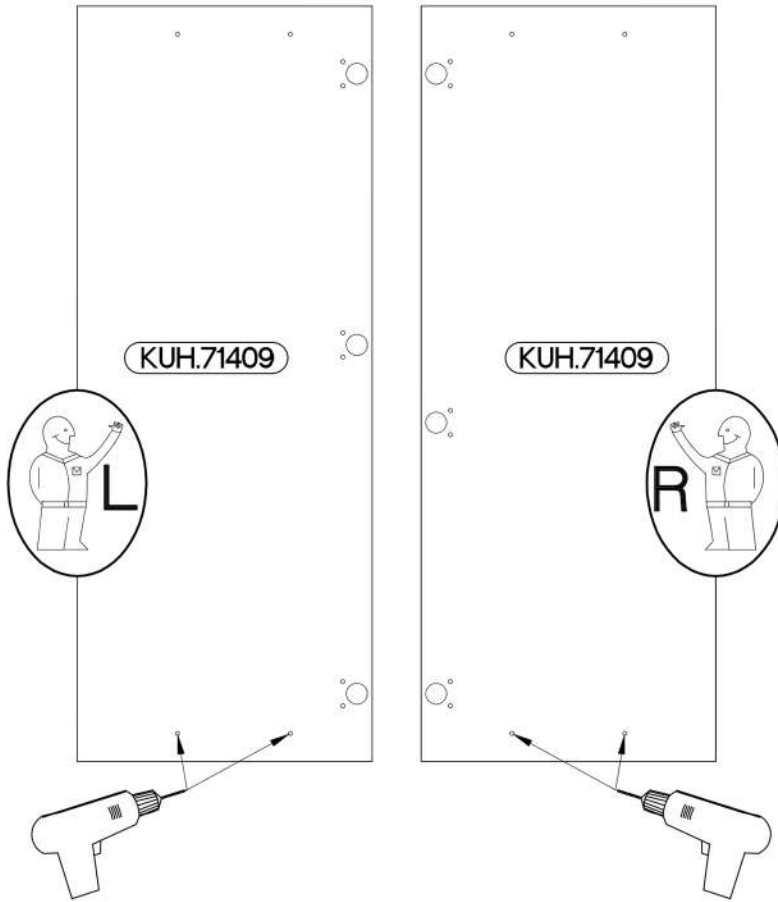
L=160mm	M4x27mm
	
S	U8
1	2

KUH.71409	1070x418x19
-----------	-------------




1

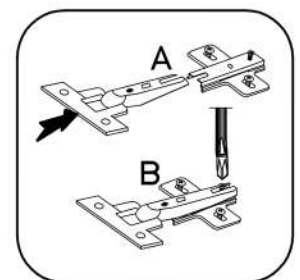
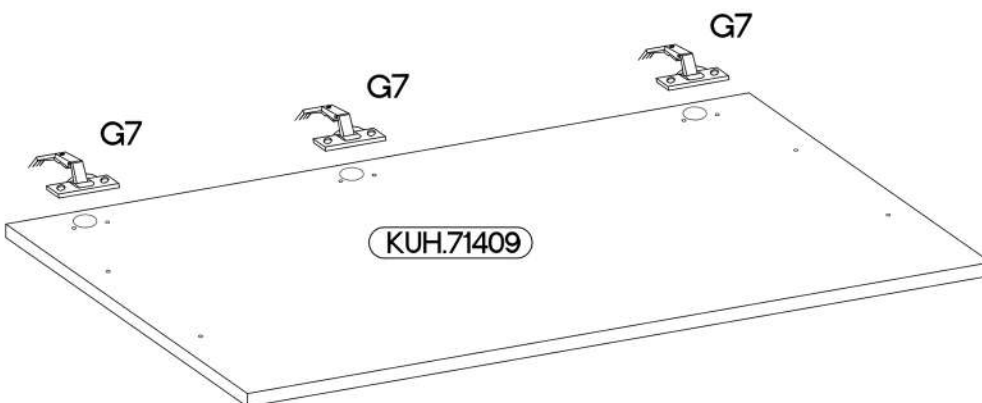
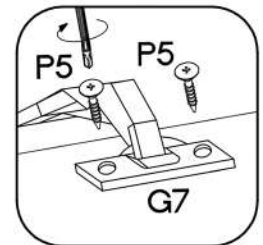
LEFT

RIGHT





2

 H	 G7	 P5
3	3	6



3

L=160mm	M4x27mm
	
S	U8
1	2

