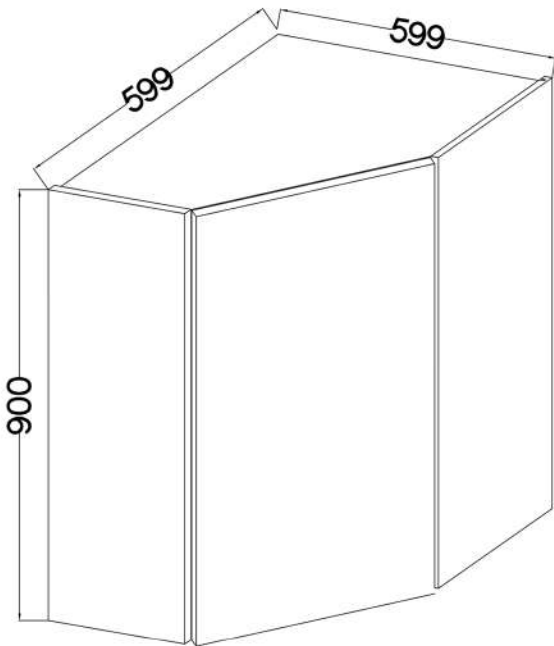
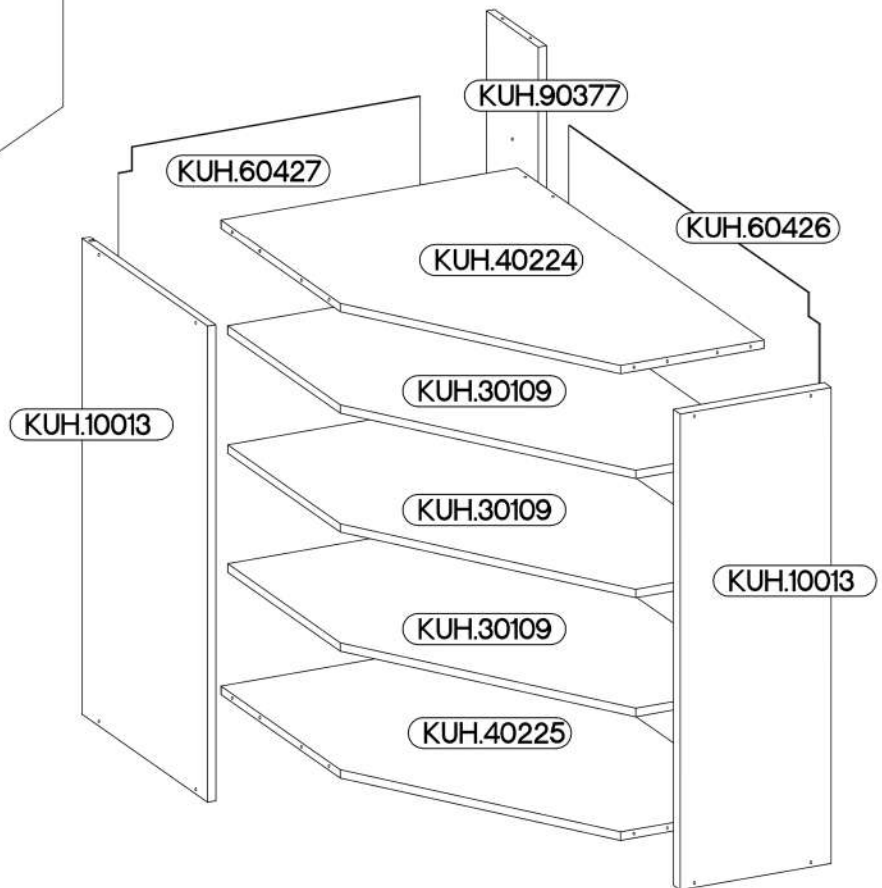


FRISBO 60x60 GN-90 1F 45°

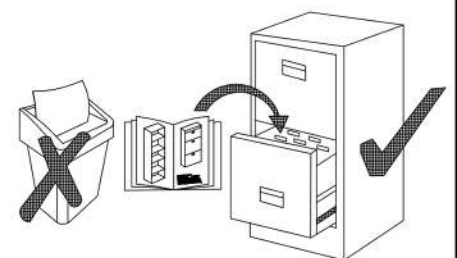


KUH.30109
KUH.40225






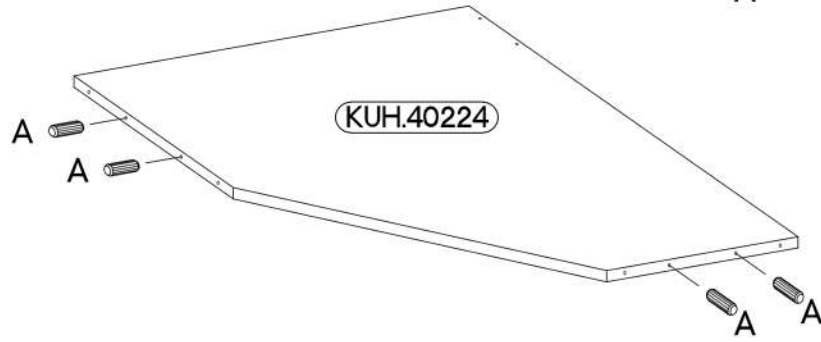
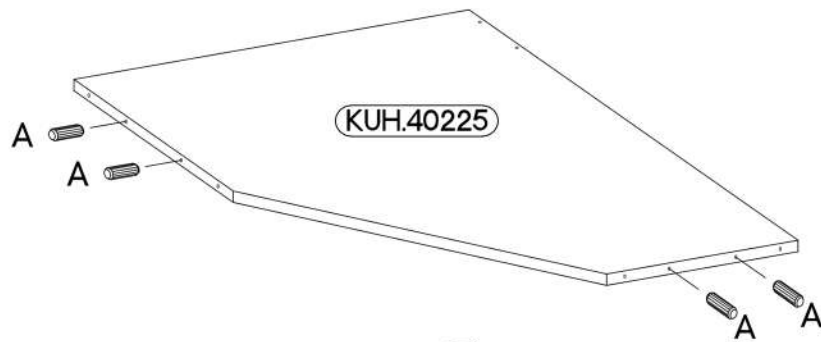
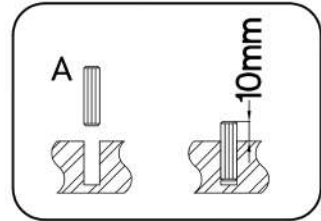
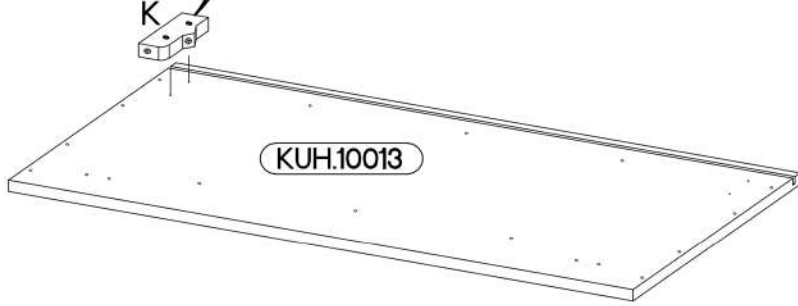
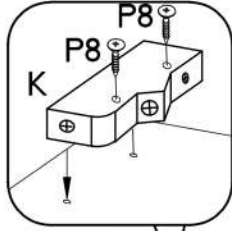
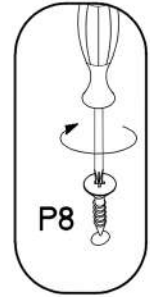
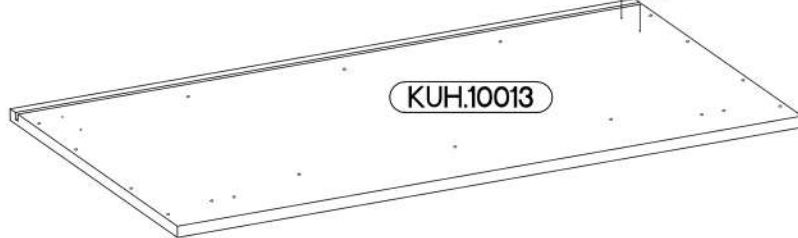
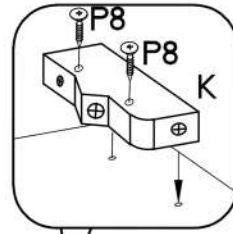
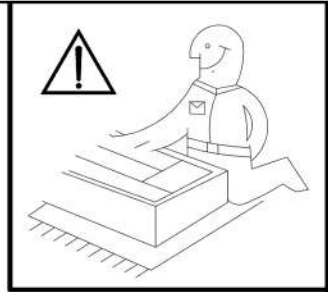
KUH.10013 x2	900x290x16
KUH.30109 x2	570x554x16
KUH.40424	570x570x16
KUH.40425	570x570x16
KUH.60426	896x578x2,5
KUH.60427	896x578x2,5
KUH.90377	866x120x16

+8x30mm A 8	6,4 x 50mm B 12	E1 12	+35/45 [CD] HG7 2	+3.5x13mm P5 4	+3.0x16mm P11 30-35	+4.0x30mm P8 4
+5/19mm J 15	K 2	O 1				






1

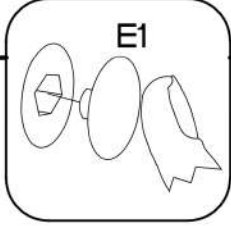
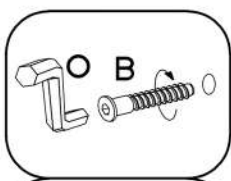
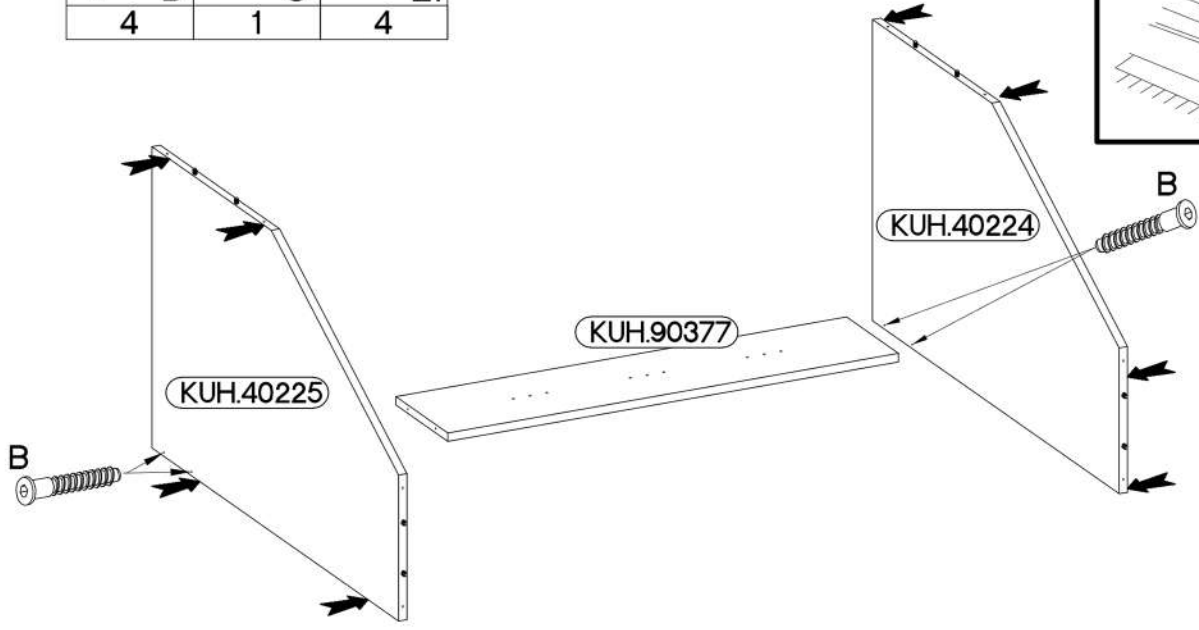
 †8x30mm A	 †4.0x30mm P8	 K
8	4	2



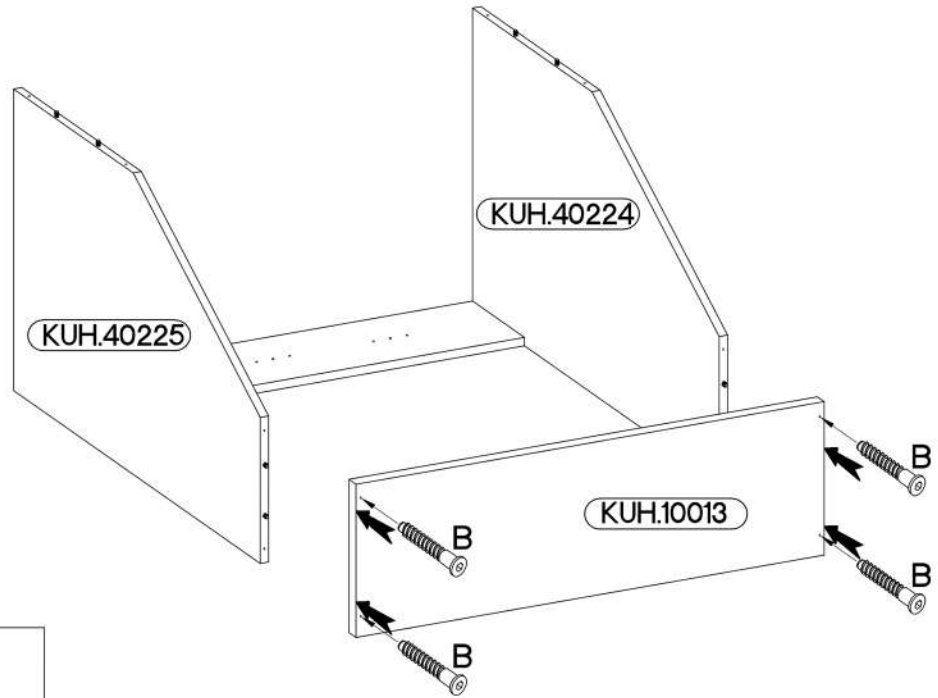
2

6,4 x 50mm




		
B	O	E1
4	1	4






3

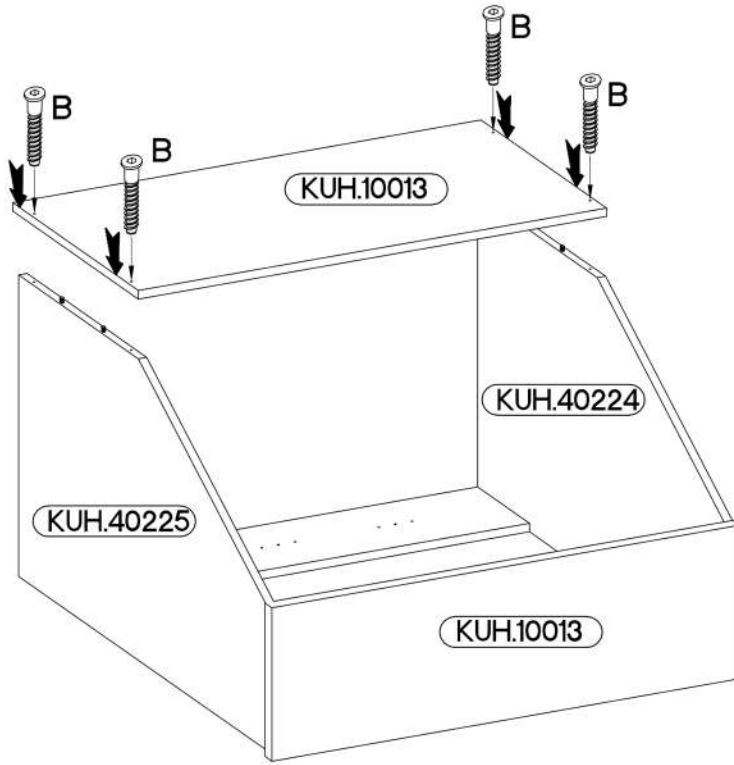
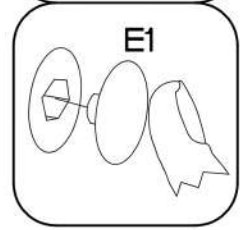
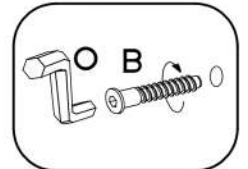


6,4 x 50mm


		
B	O	E1
4	1	4

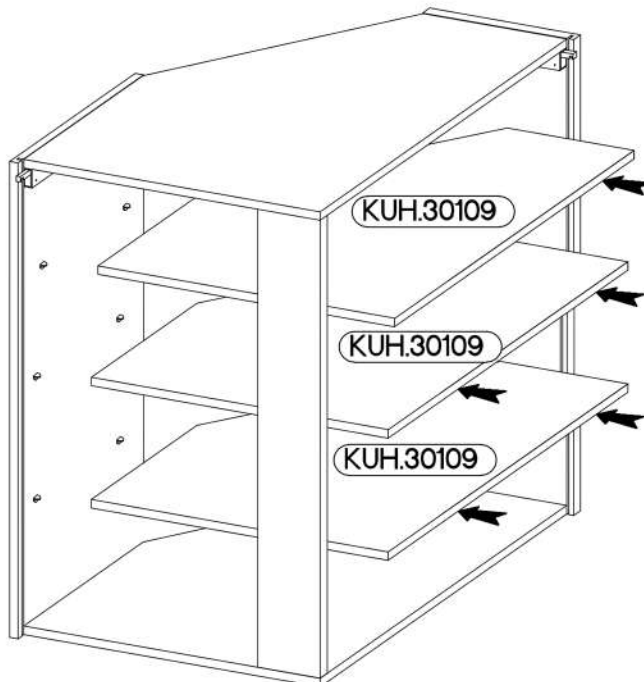
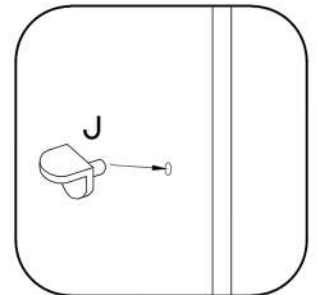
4

6,4 x 50mm			
	B	O	E1
	4	1	4



5

±5/19mm	
	J
	15

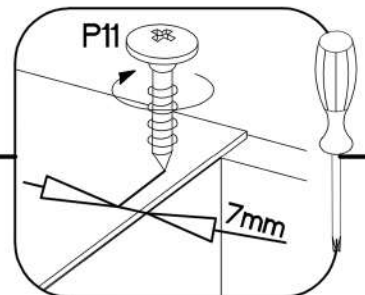
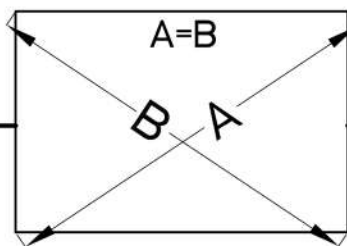
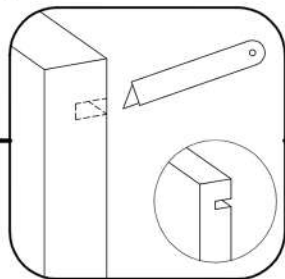
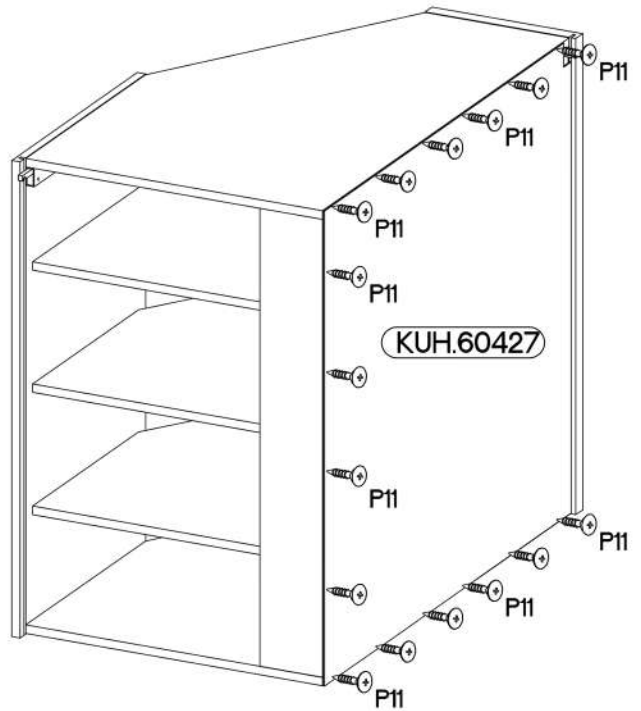
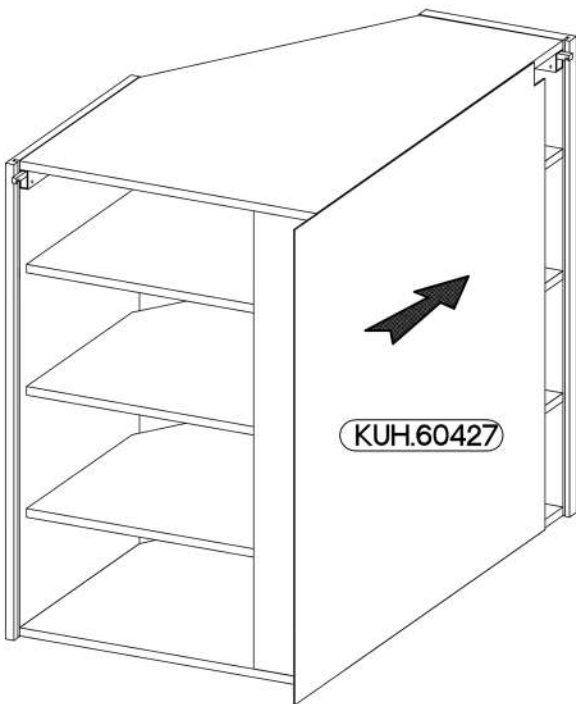


6

±3.0x16mm



P11
16

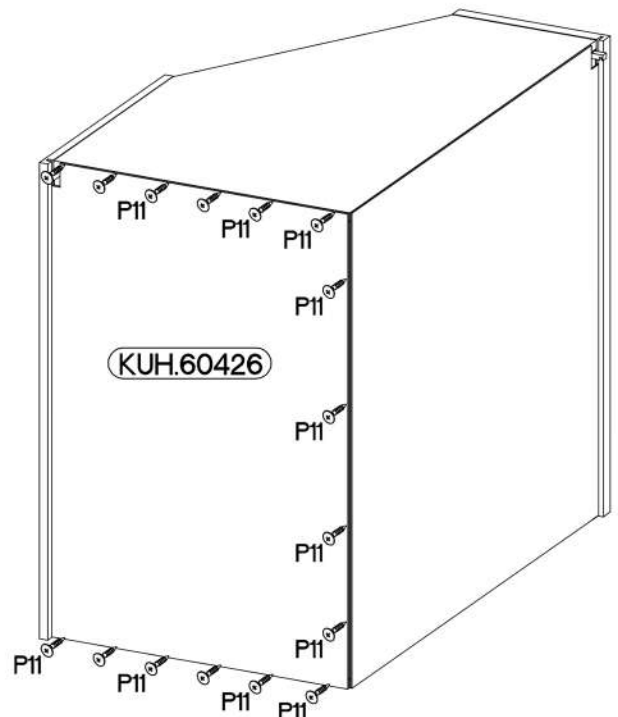
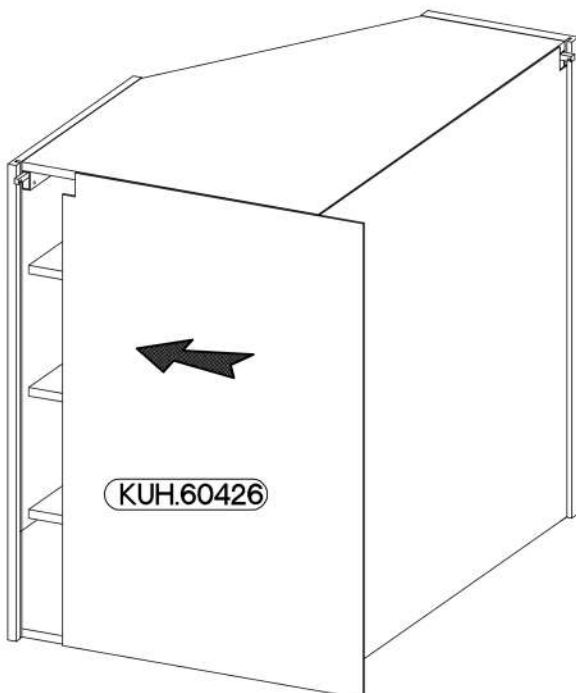


7

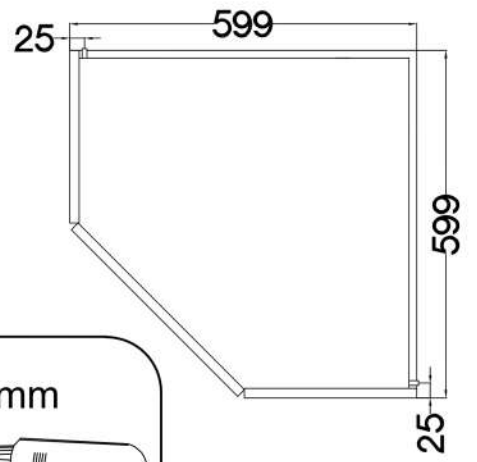
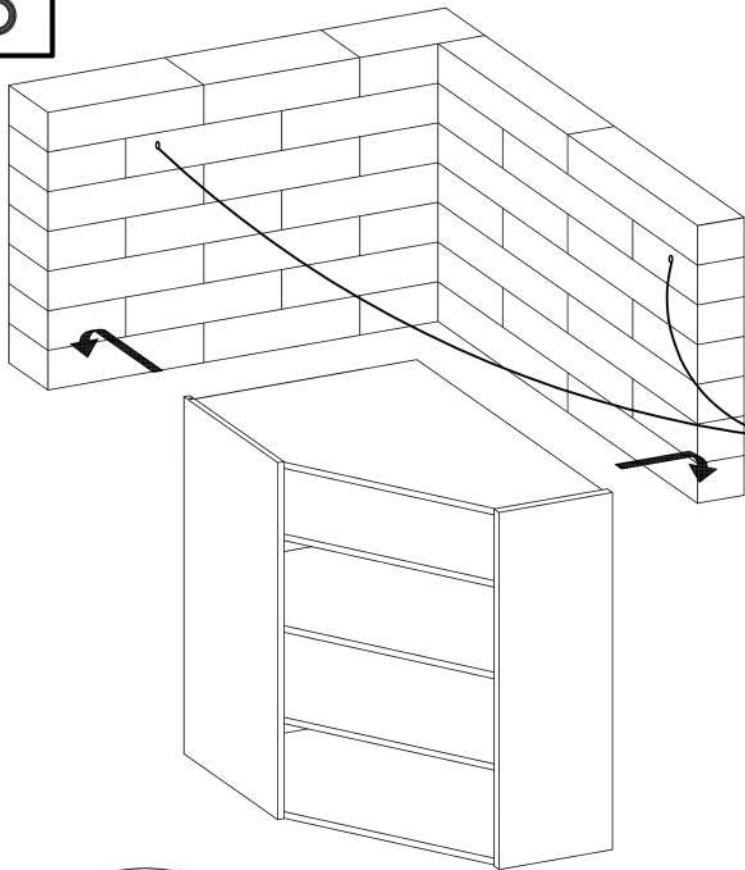
±3.0x16mm



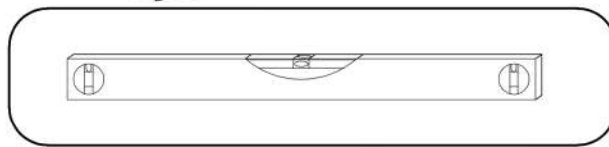
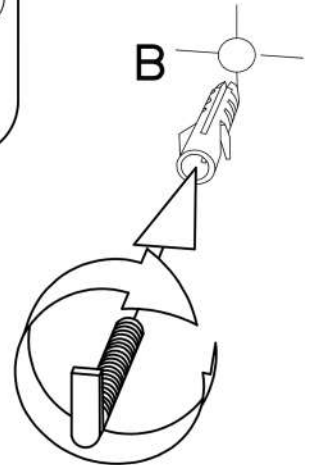
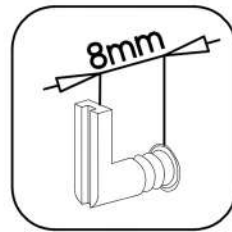
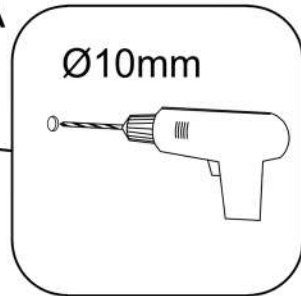
P11
16



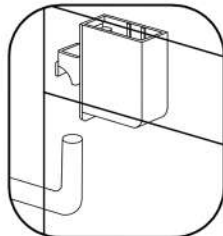
8



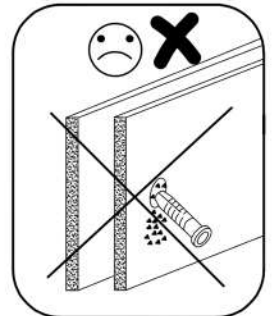
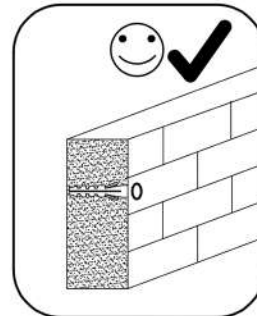
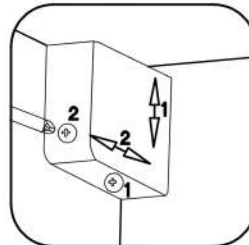
A



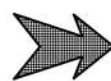
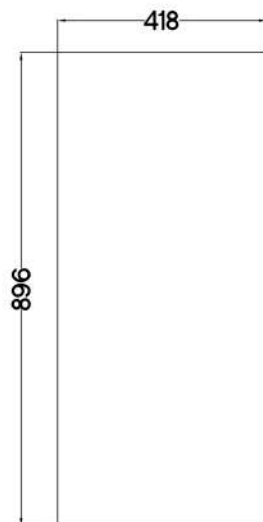
C

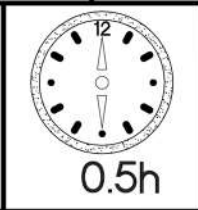
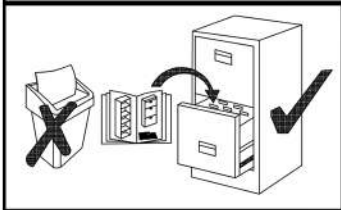
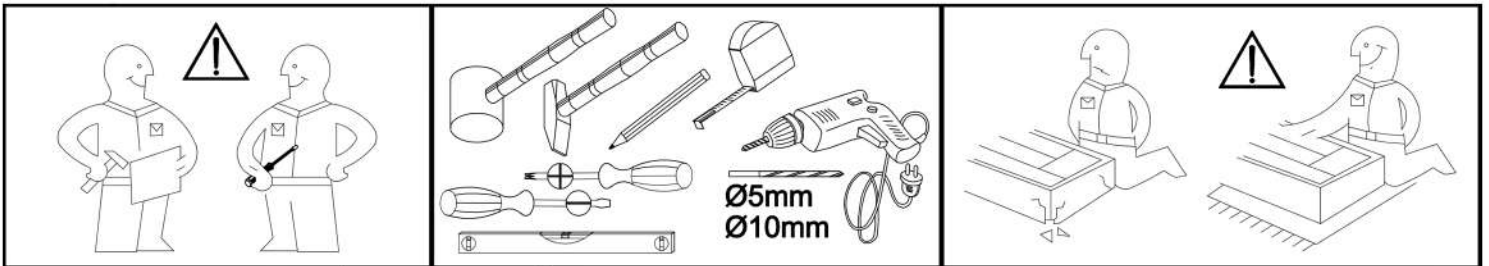


D

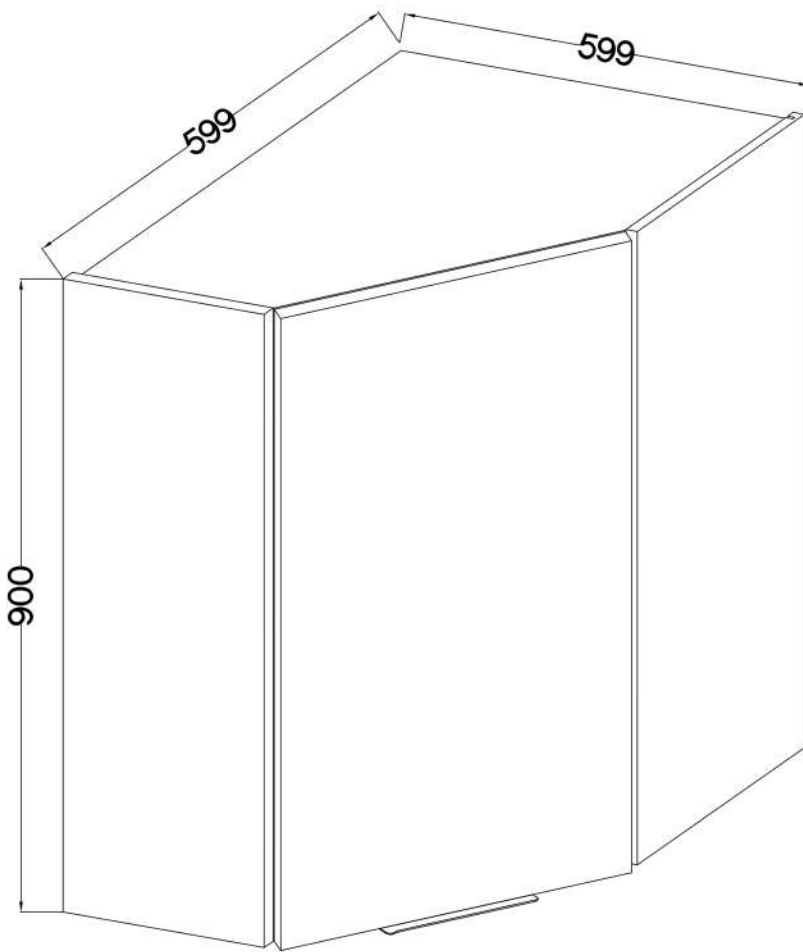
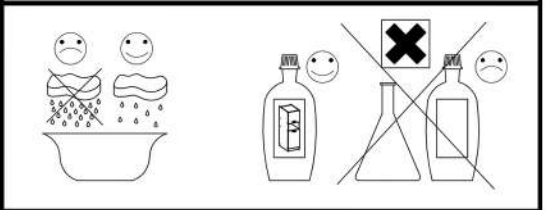


9








60x60 GN-90 1F

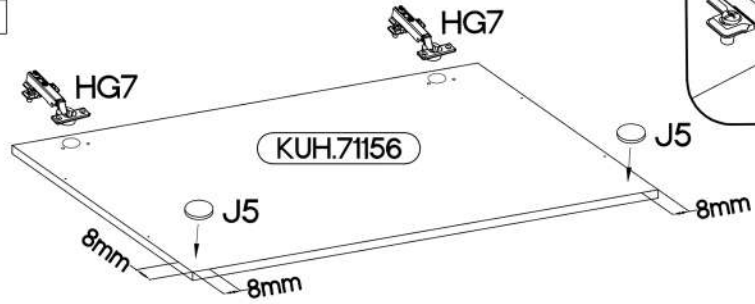
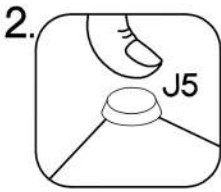
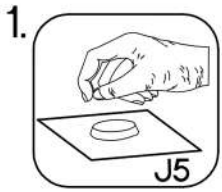
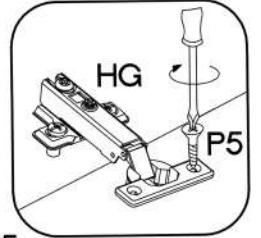


L=192mm	±7/2mm
S	J5
1	2


KUH.71156	896x418x16
-----------	------------

1

 +35/45° H=0 [CD] HG7	 +3.5x13mm P5	 +7/2mm J5
2	4	2



2

 L=192mm S
1

