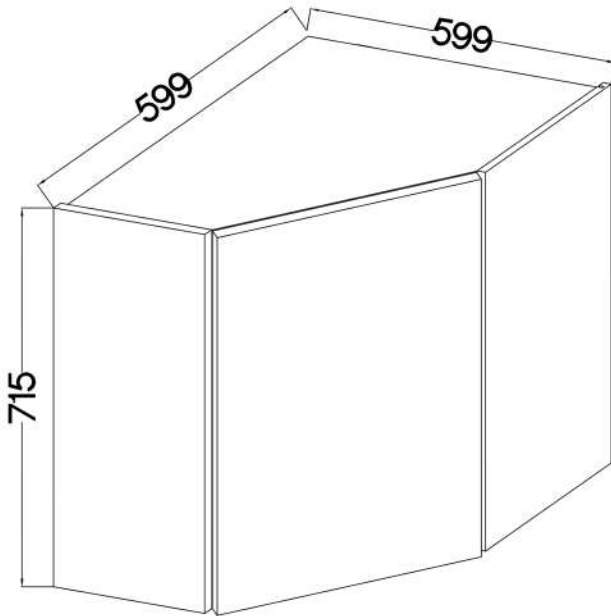
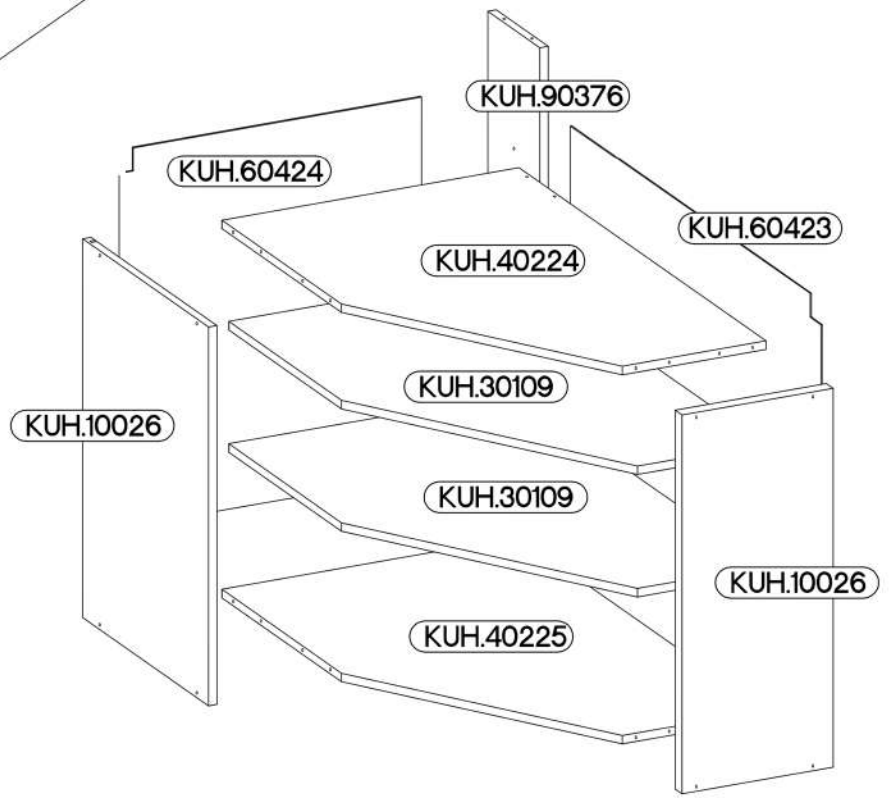


FRISBO 60x60 GN-72 1F 45°

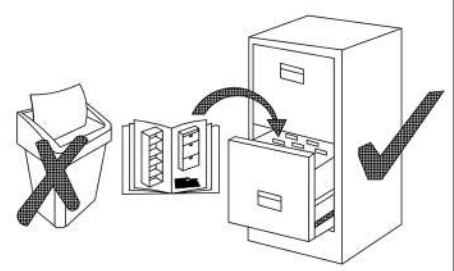


max. 5kg
 KUH.30109
 KUH.40225






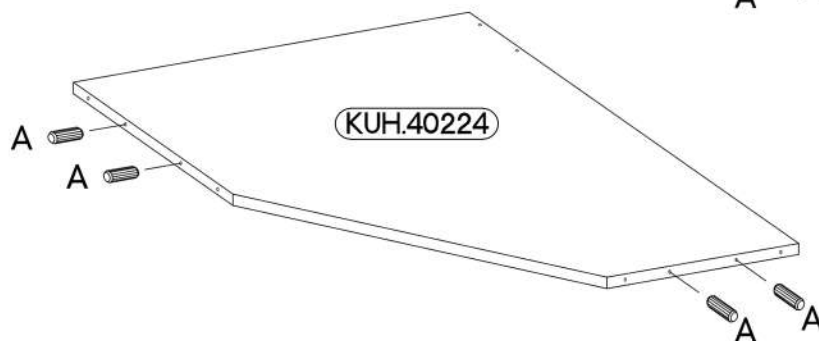
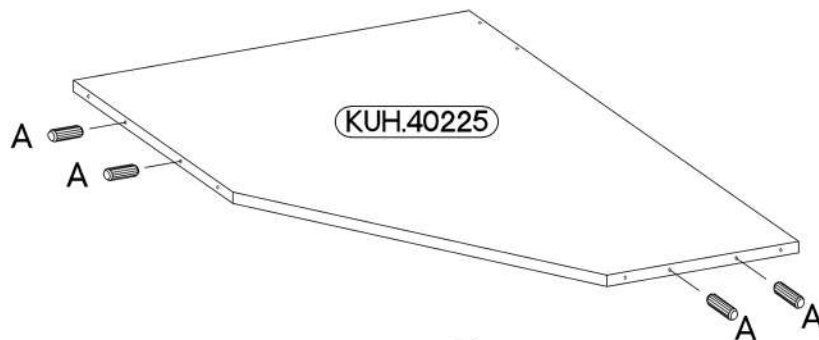
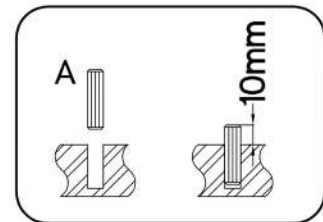
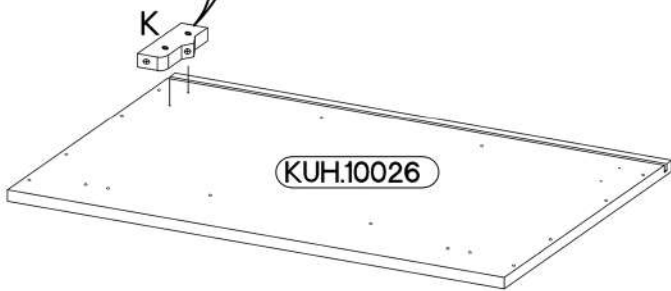
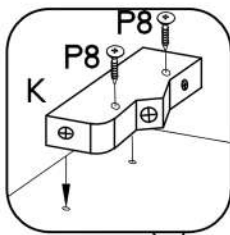
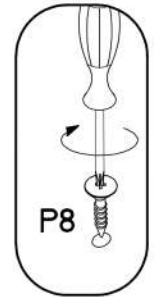
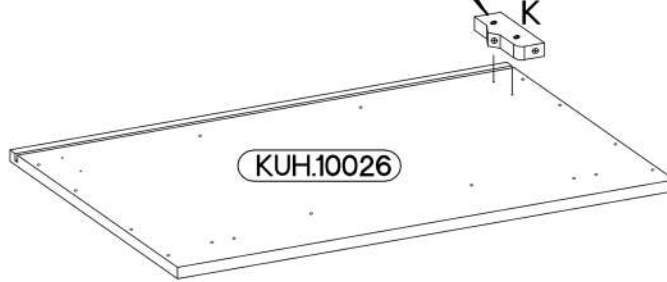
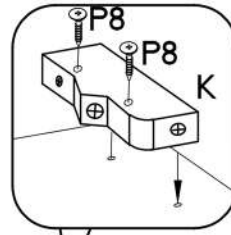
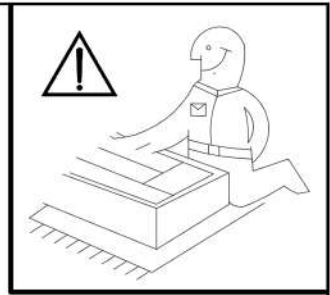
KUH.10026 x2	715x290x16
KUH.30109 x2	570x554x16
KUH.40424	570x570x16
KUH.40425	570x570x16
KUH.60423	713x578x2,5
KUH.60424	713x578x2,5
KUH.90376	681x120x16

+8x30mm A	6,4 x 50mm B	E1	+35/45° [CD] HG7			
8	12	12	2			
+5/19mm J	K	O	+3.5x13mm P5	+3.0x16mm P11	+4.0x30mm P8	
10	2	1	4	30-35	4	



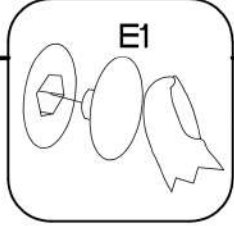
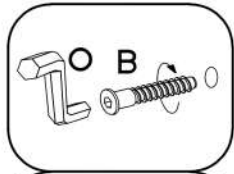
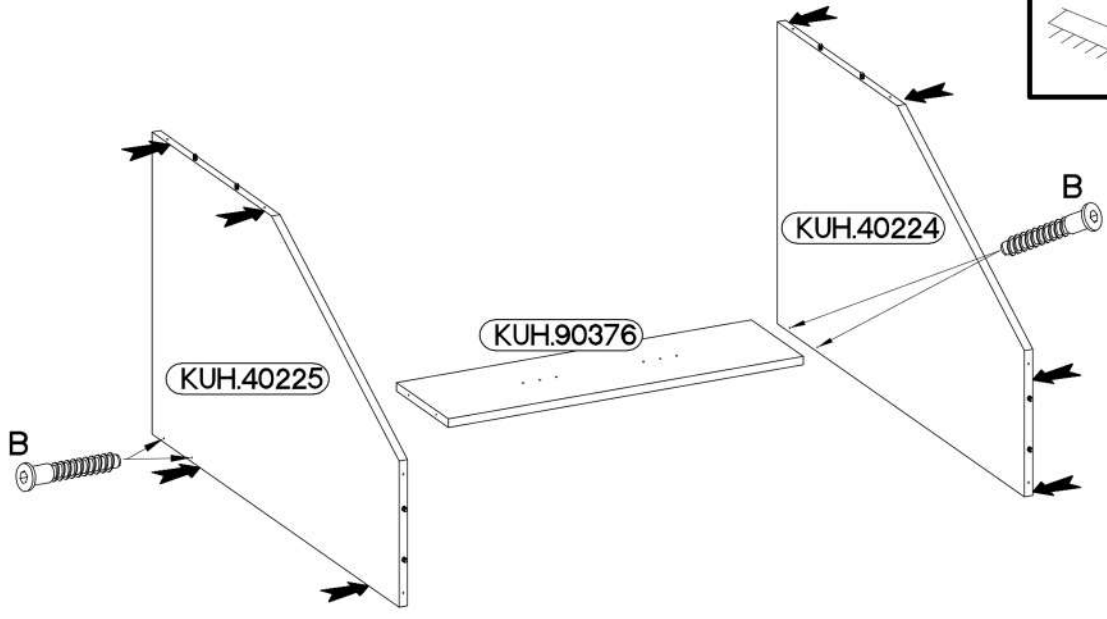
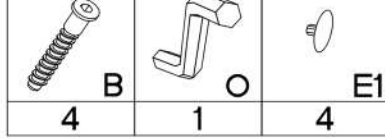
1

 +8x30mm A	 +4.0x30mm P8	 K
8	4	2

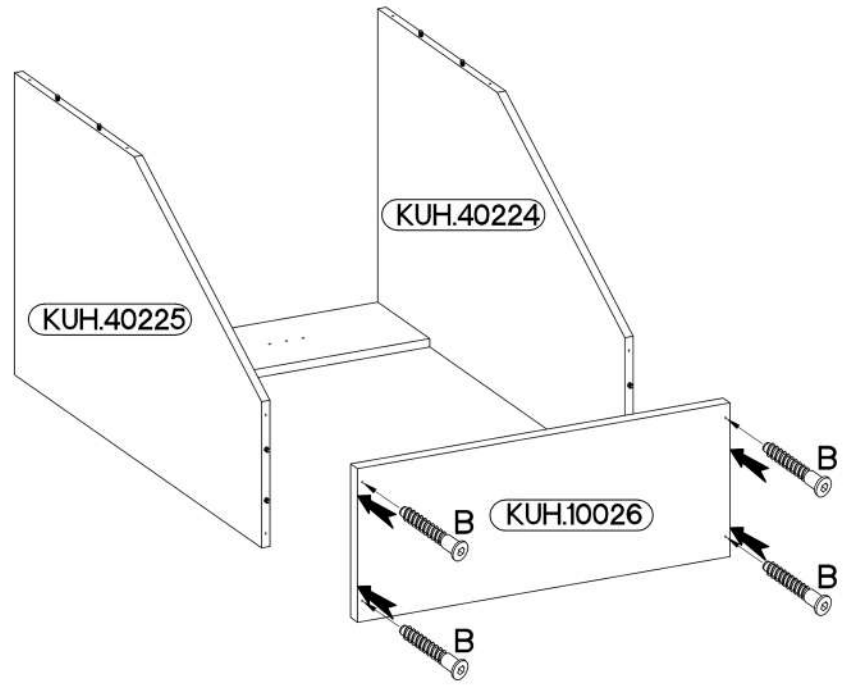


2

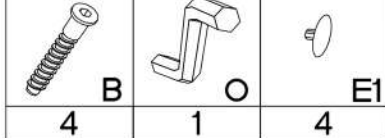
6,4 x 50mm






3

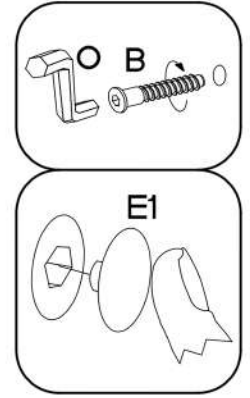
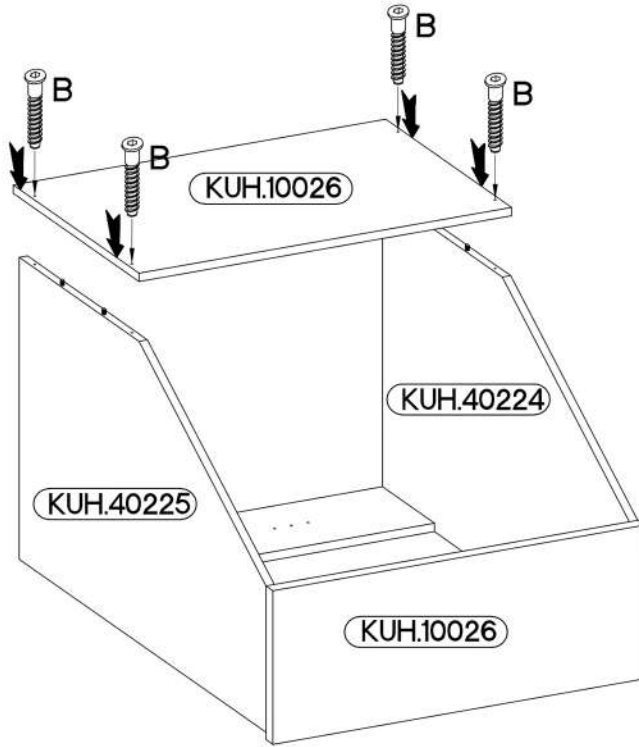


6,4 x 50mm




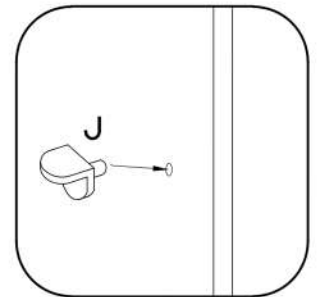
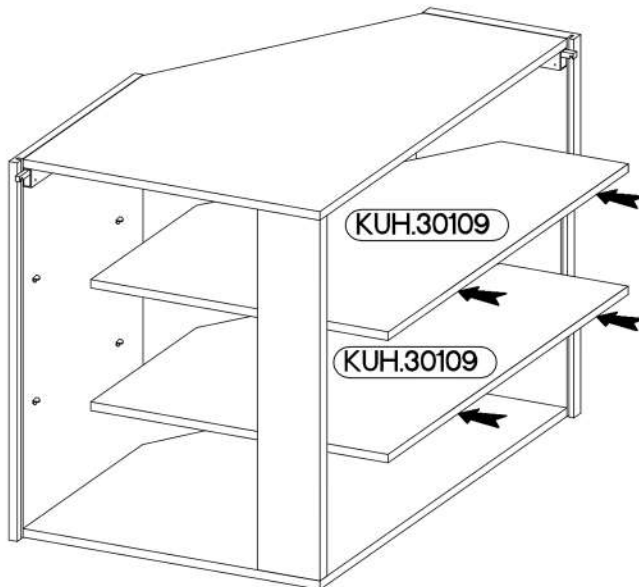
4

6,4 x 50mm			
	B	O	E1
	4	1	4



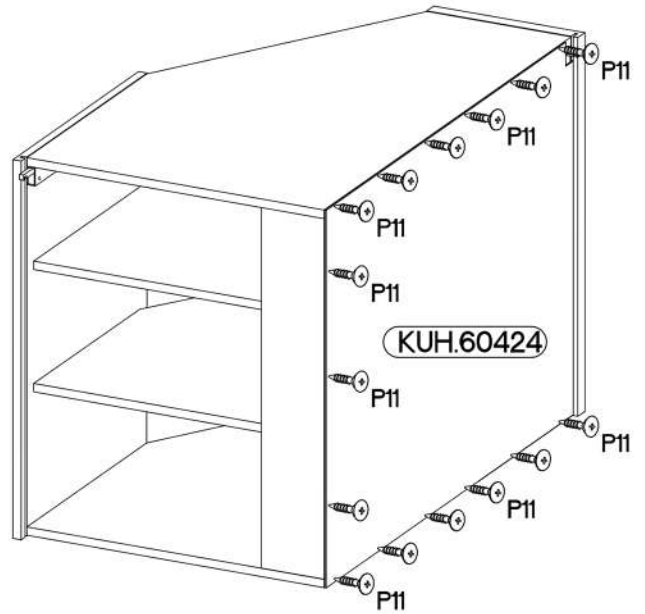
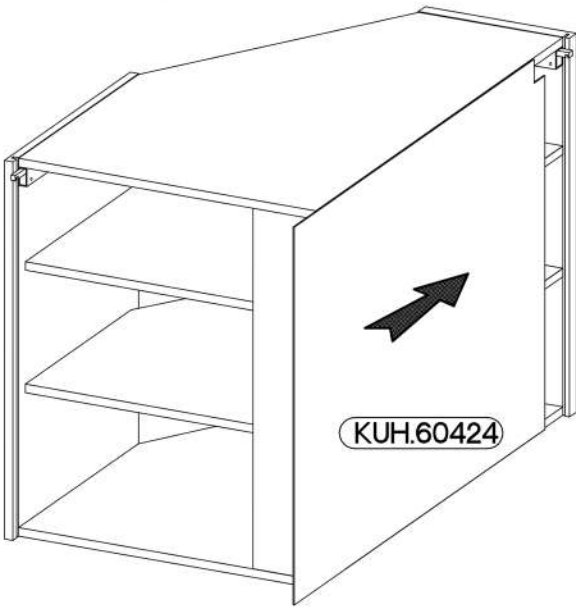
5

+5/19mm	
	J
	10



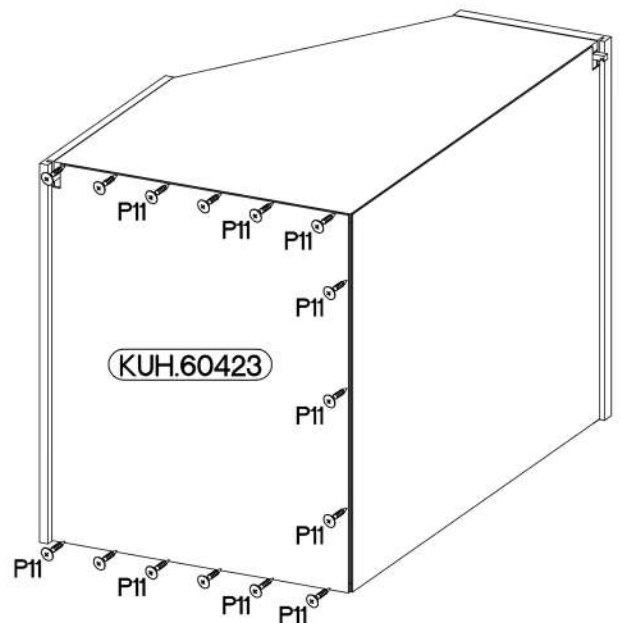
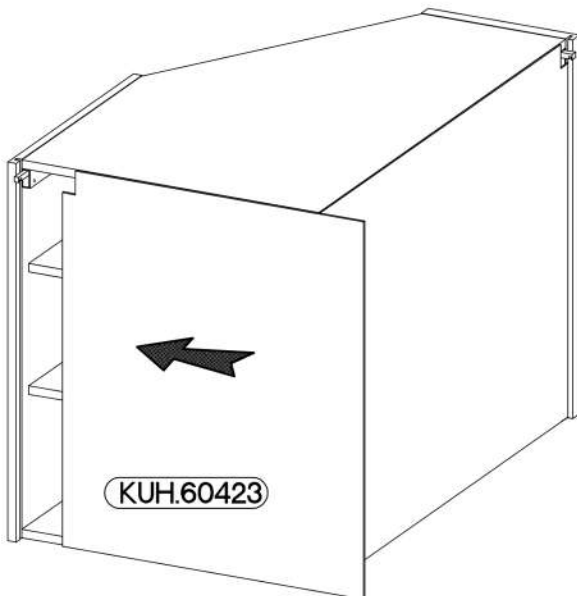
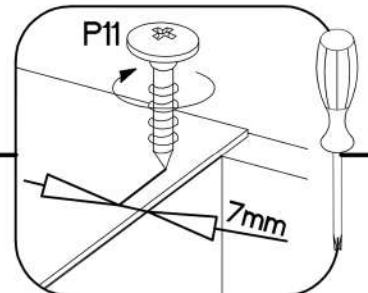
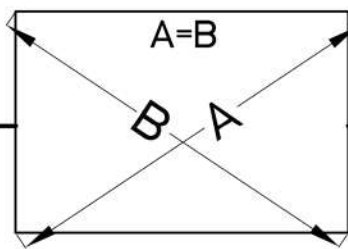
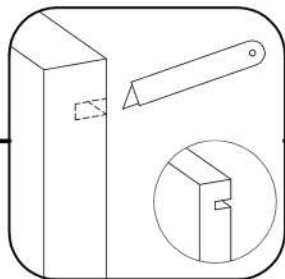
6

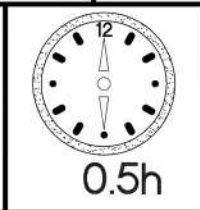
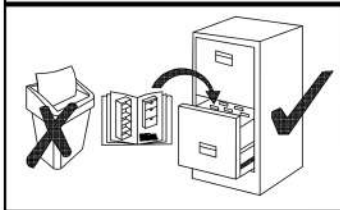
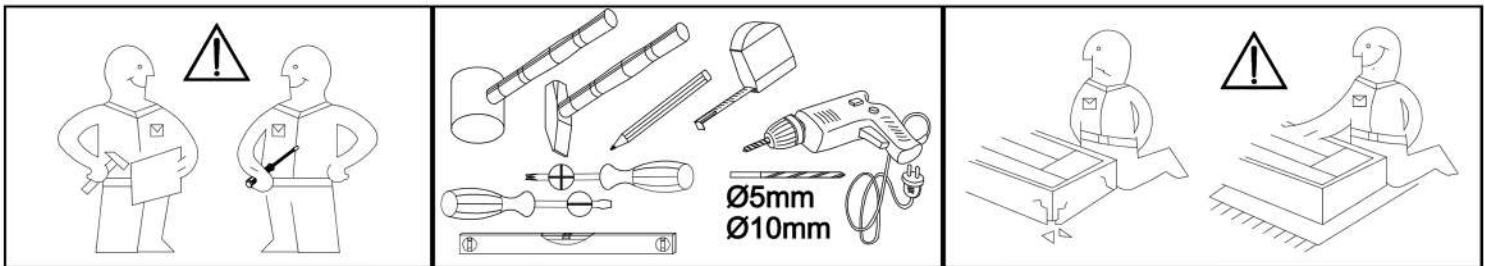
±3.0x16mm
P11
16



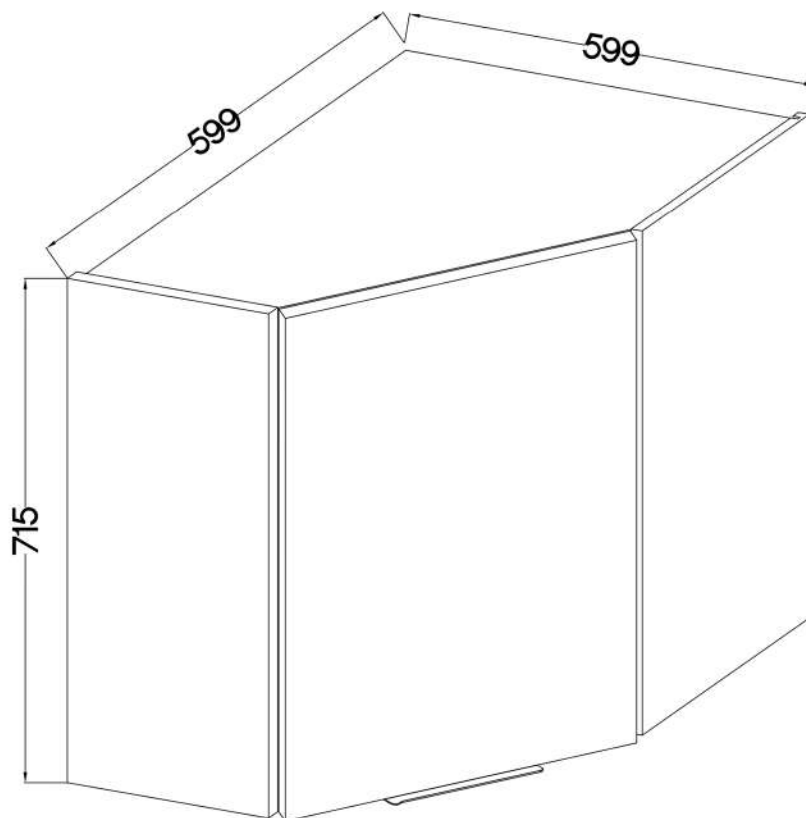
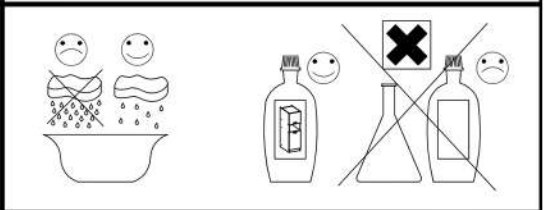
7

±3.0x16mm
P11
16








60x60 GN-72 1F

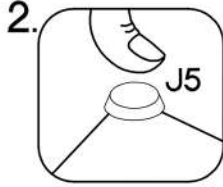
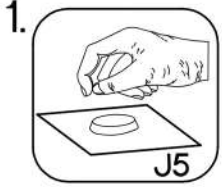
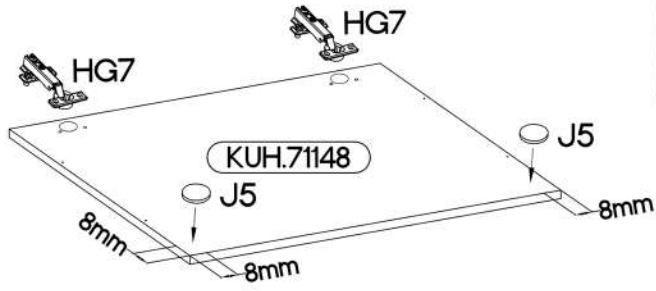
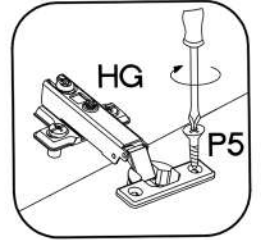


L=192mm	±7/2mm
S	J5
1	2

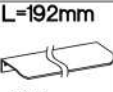
KUH.71148	713x418x16
-----------	------------

1

 +35/45° H=0 HG7	 +3.5x13mm P5	 +7/2mm J5
(CD) 2	4	2



2

 L=192mm S
1

