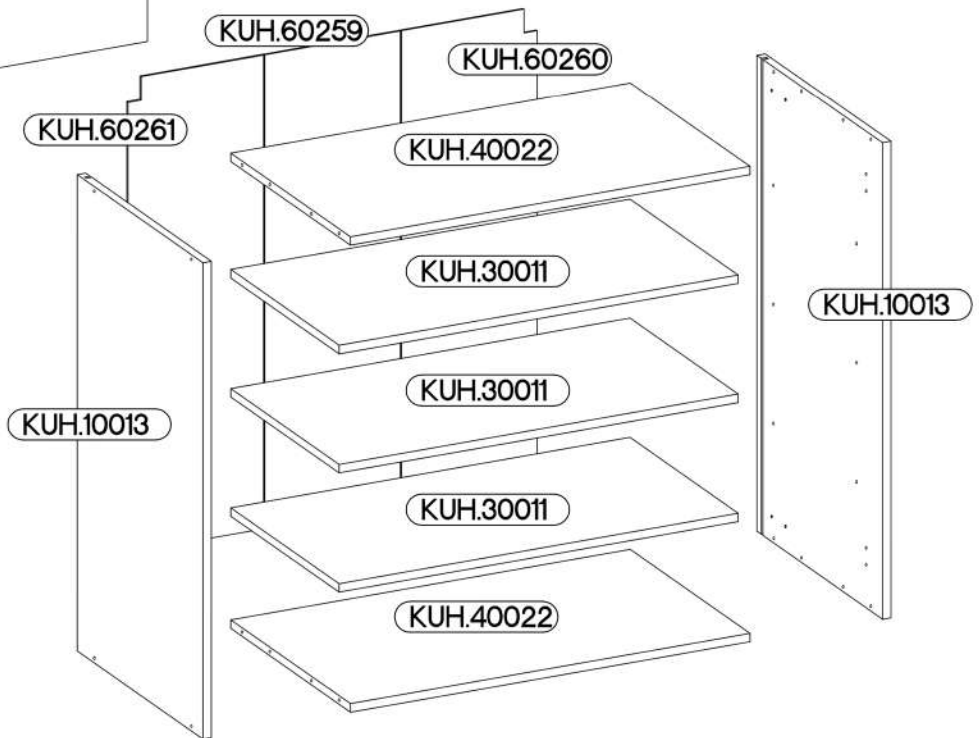
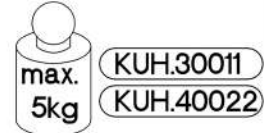
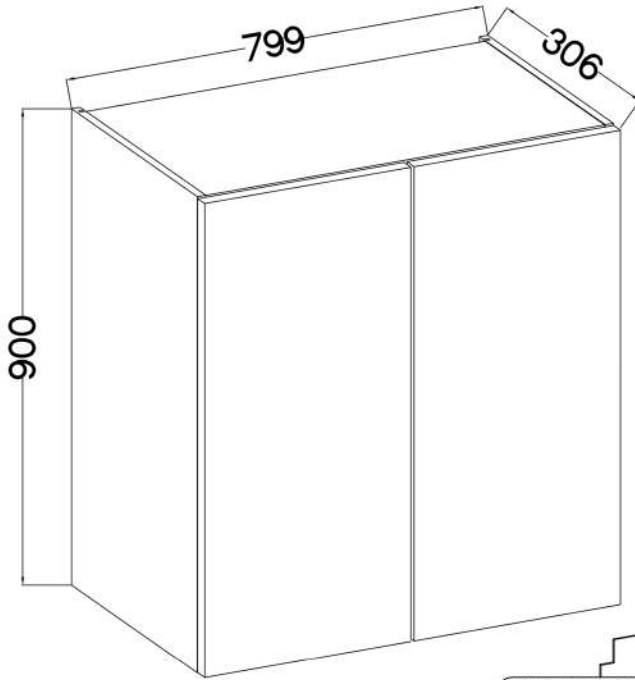
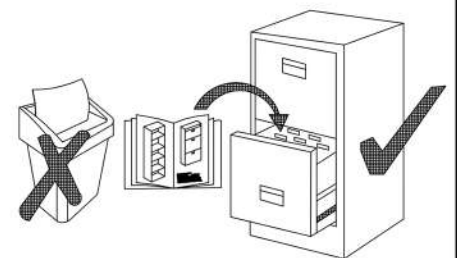


# FRISBO 80 G-90 2F






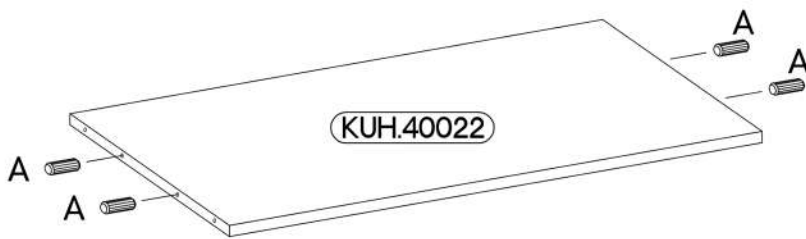
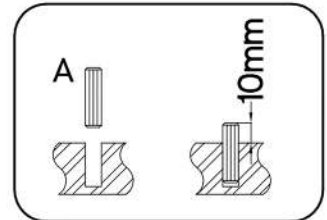
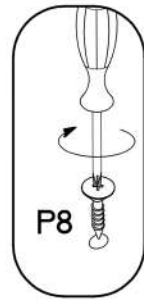
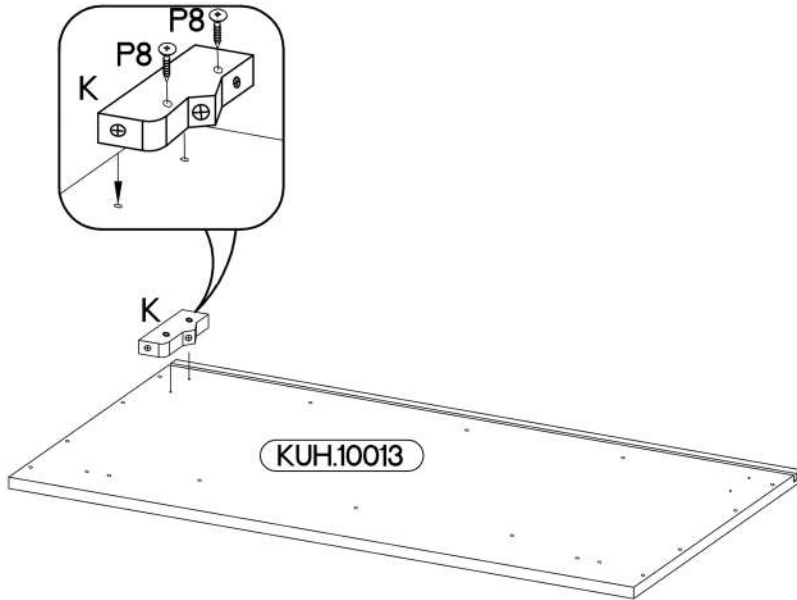
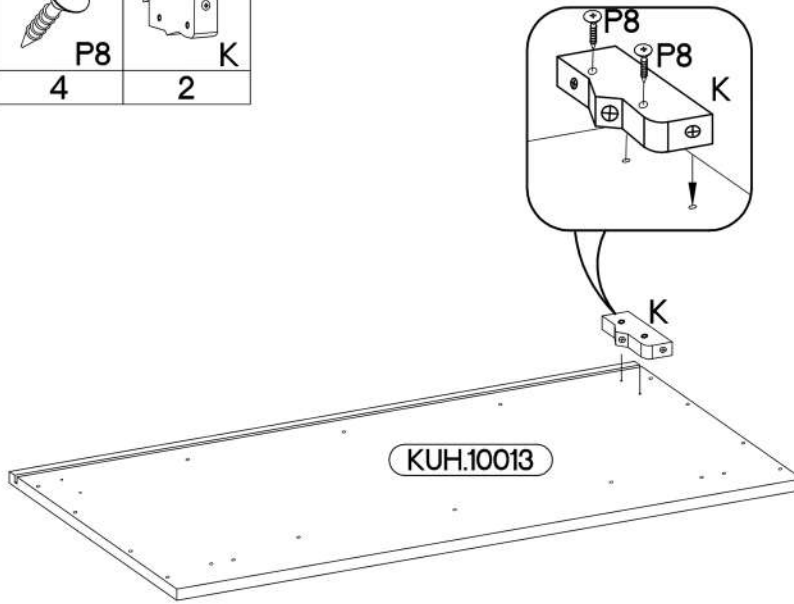
KUH.10013 x2	900x290x16
KUH.30011 x3	766x250x16
KUH.40022 x2	767x276x16
KUH.60259	896x260x2,5
KUH.60260	896x260x2,5
KUH.60261	896x260x2,5

 A 8	 B 8	 E1 8	 HG 4	 P5 8	 P7 15-20	 P8 4
 J 12	 K 2	 L1 2	 O 1			
 L1=865mm 2						



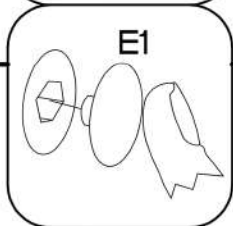
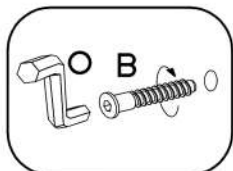
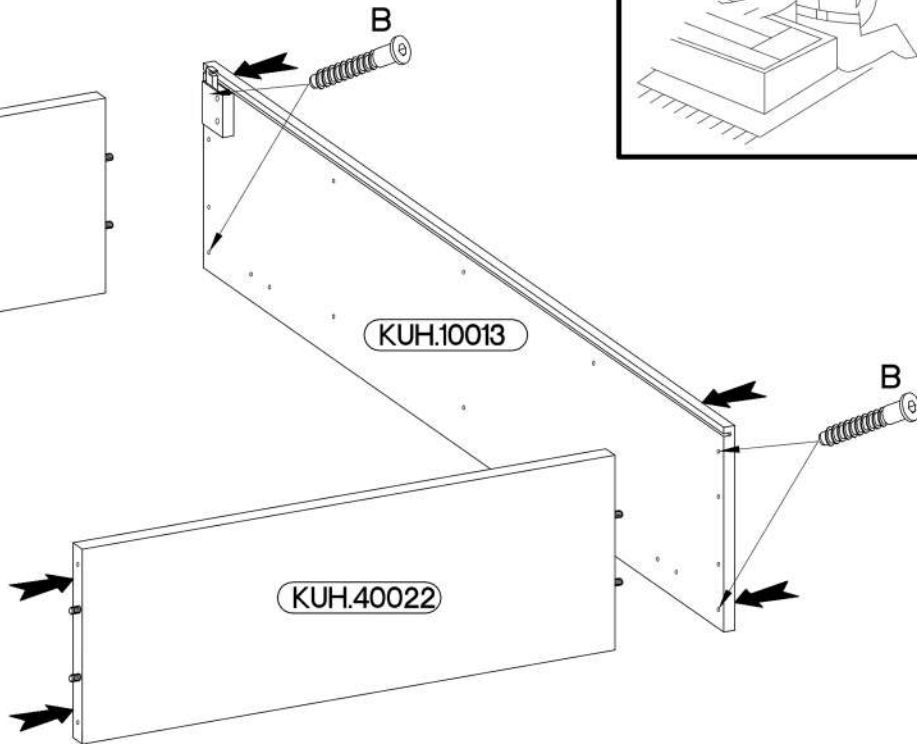
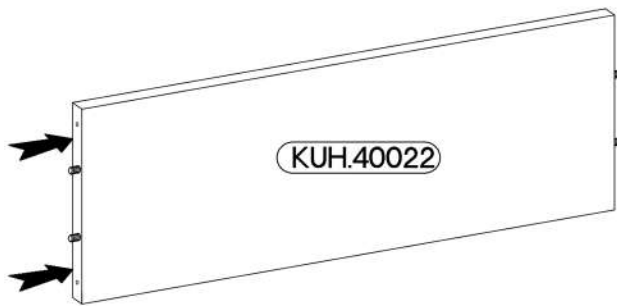
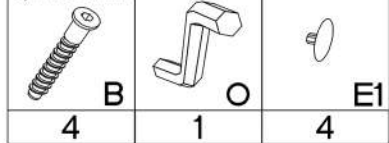
1

$\pm 8 \times 30 \text{mm}$  A 8	$\pm 4.0 \times 30 \text{mm}$  P8 4	 K 2
--	---	---

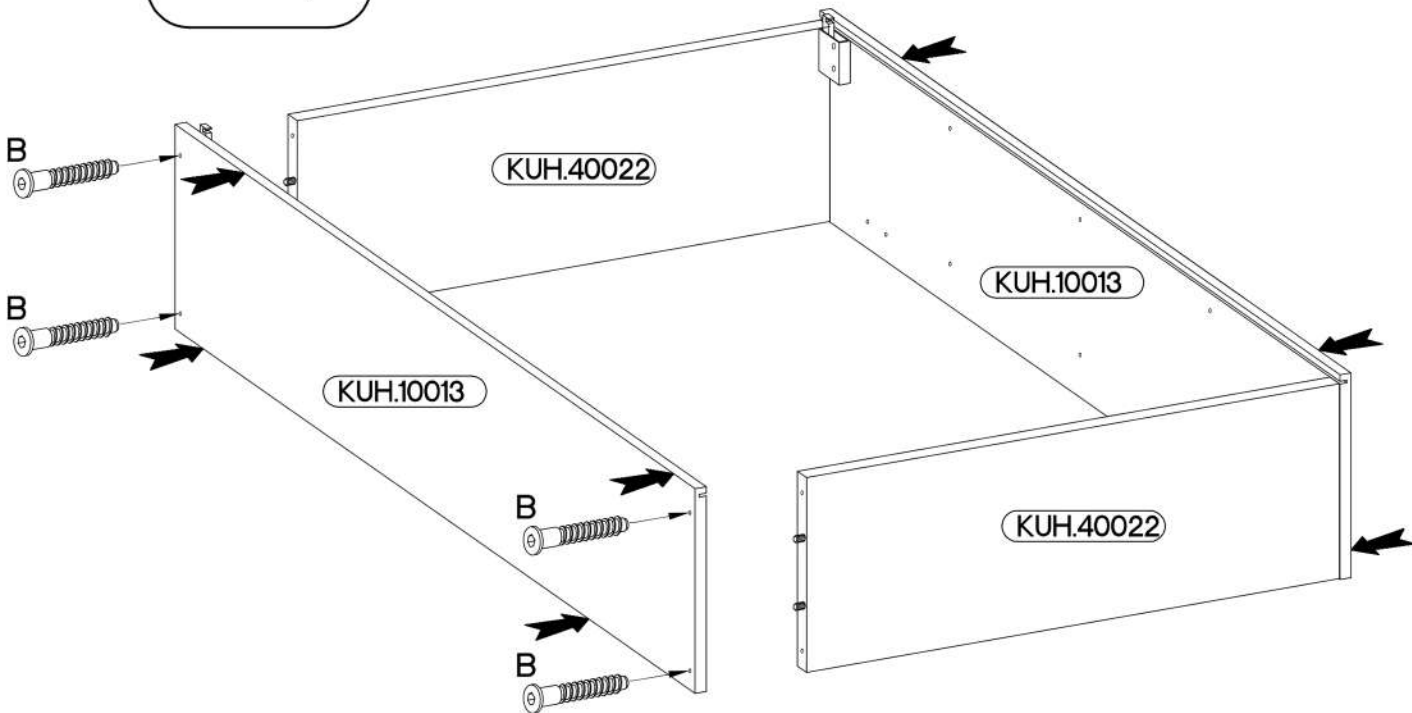


# 2

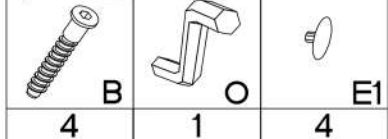
6,4 x 50mm



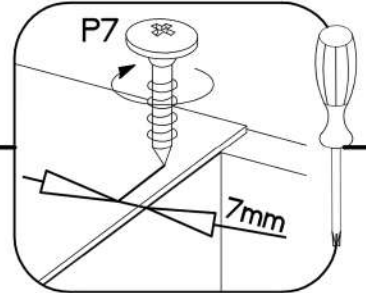
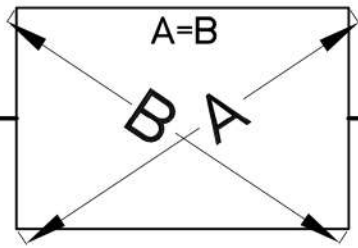
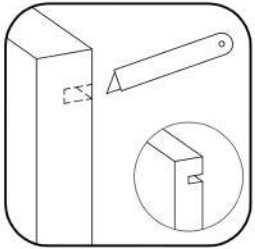
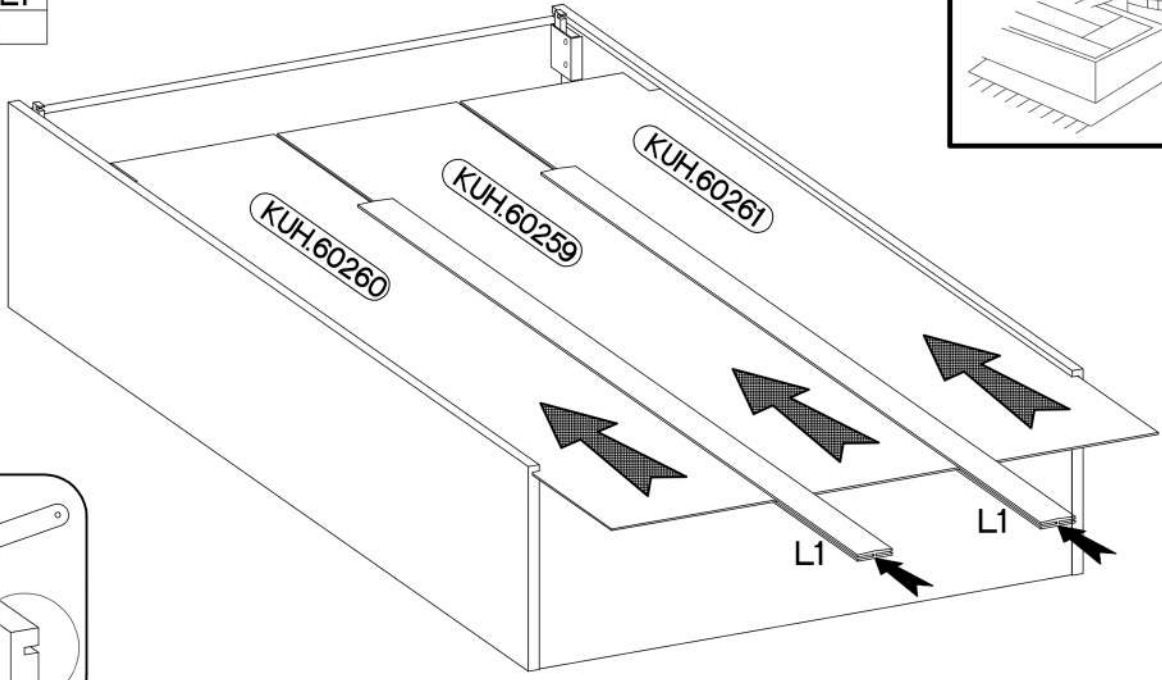
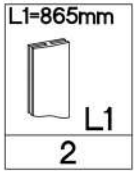
# 3



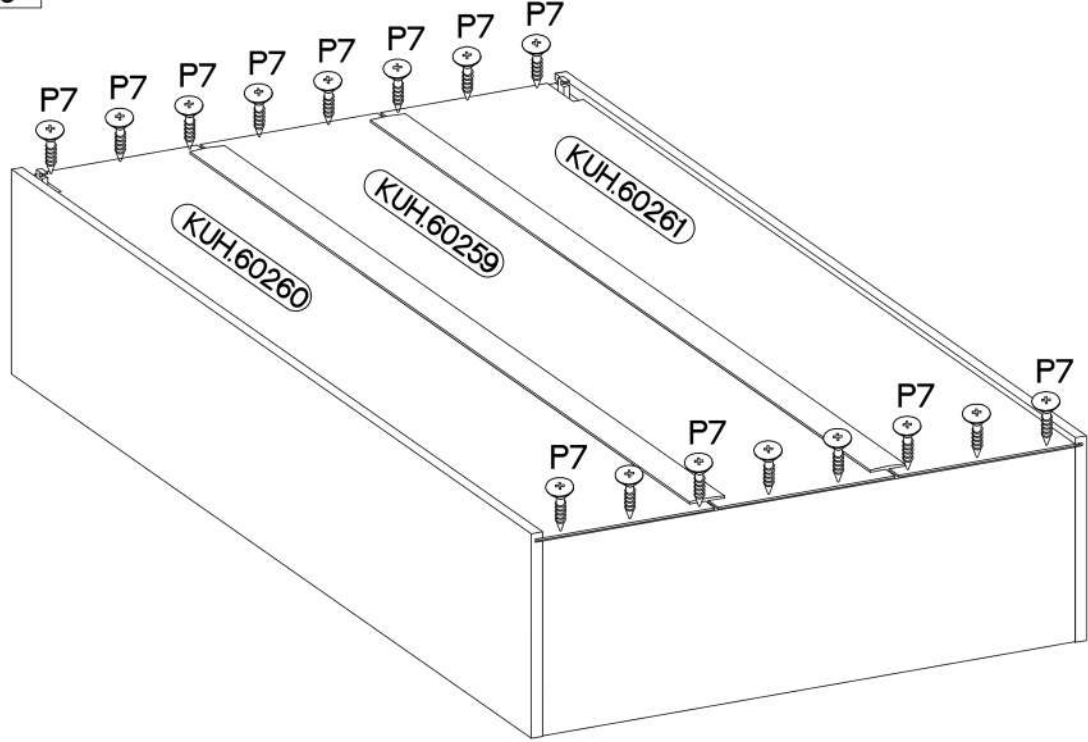
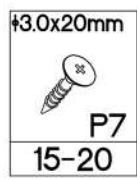
6,4 x 50mm



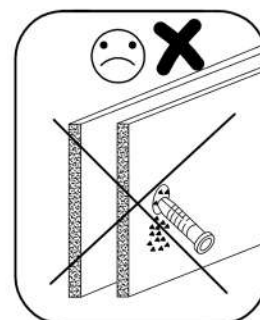
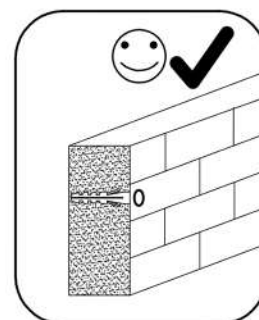
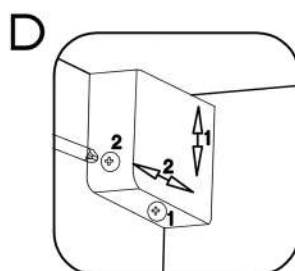
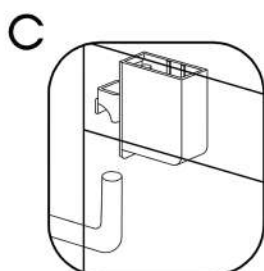
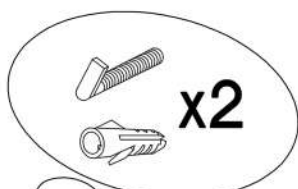
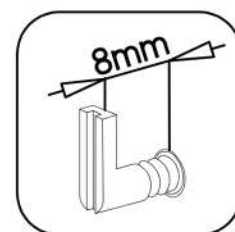
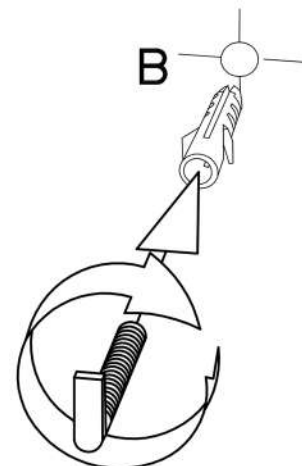
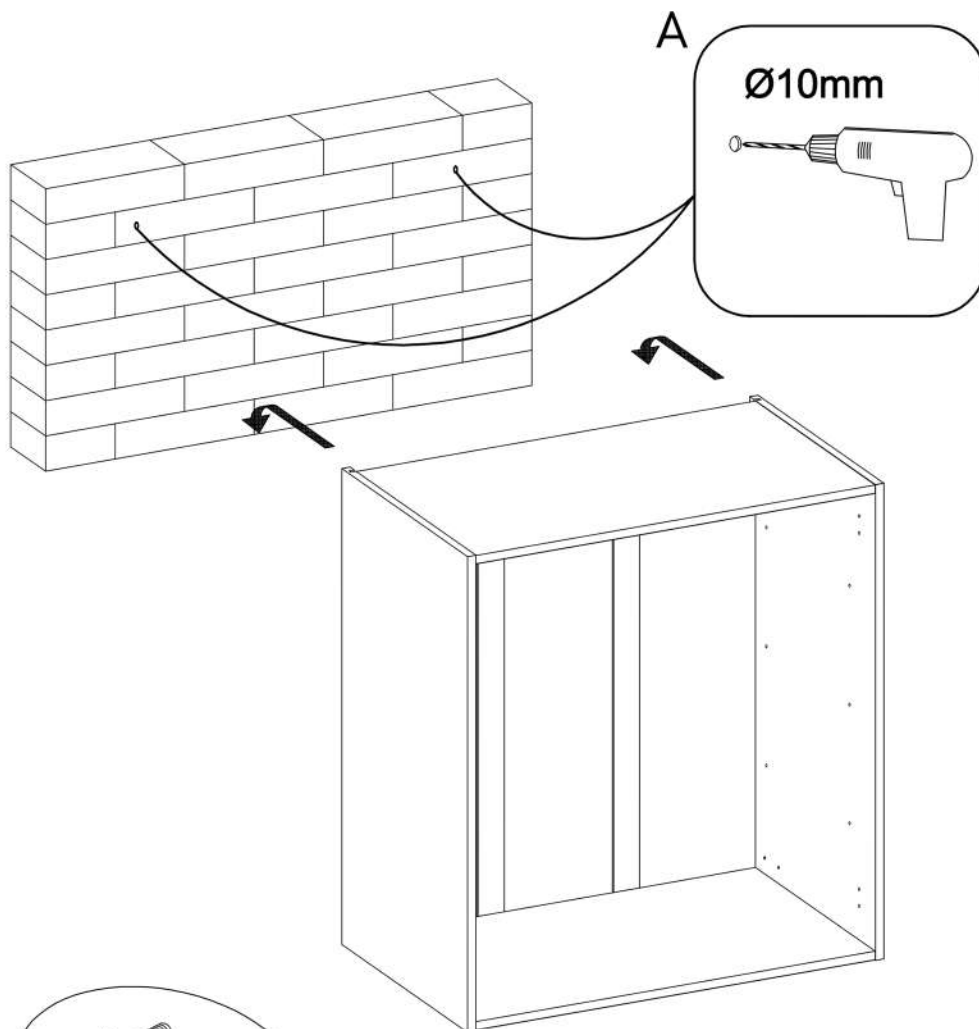
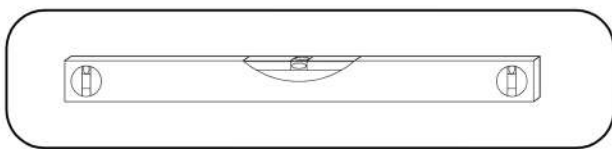
4



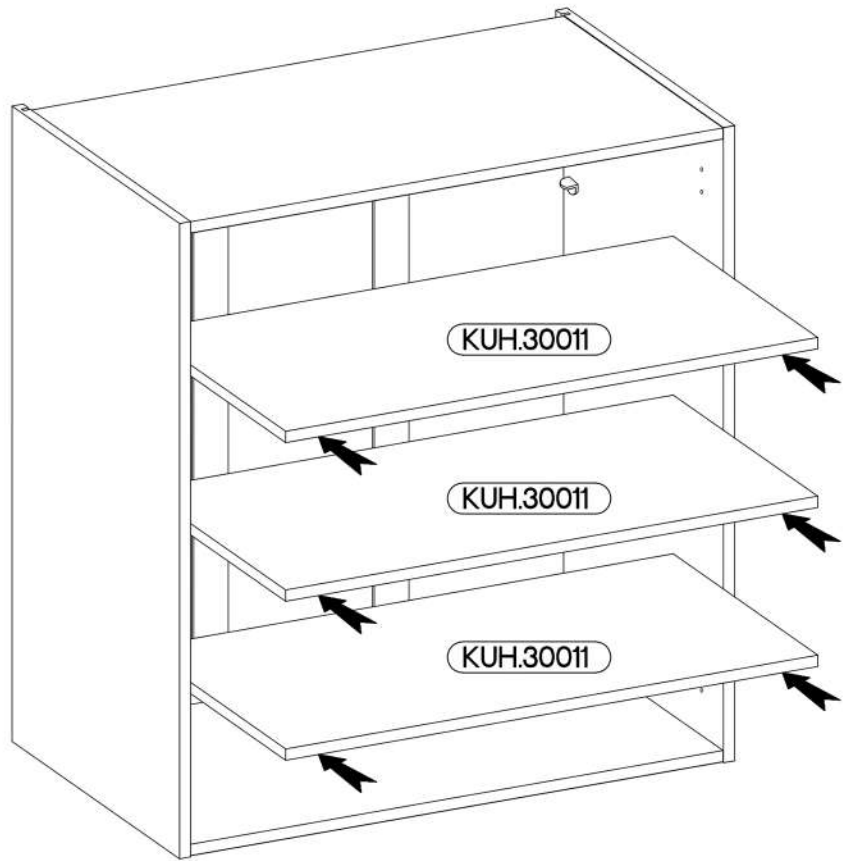
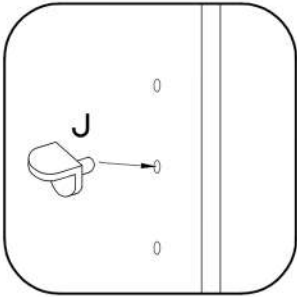
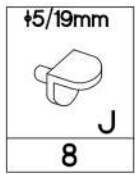
5



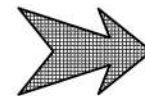
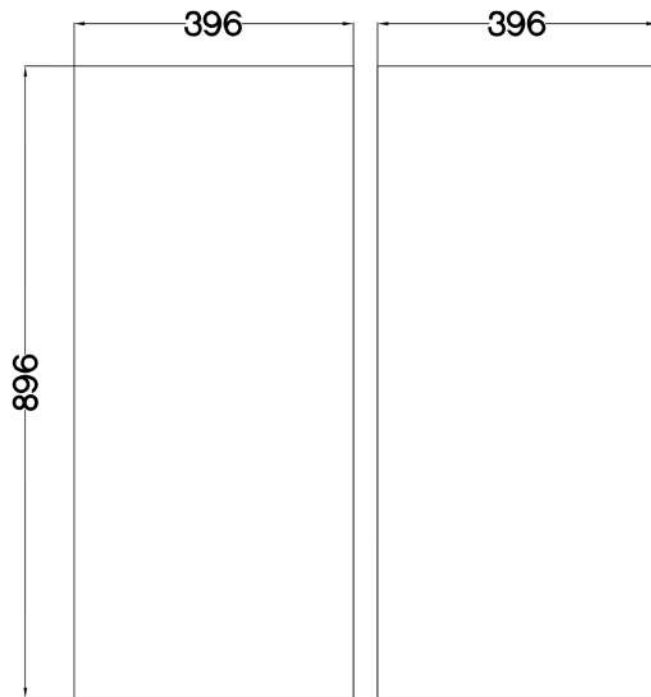
6

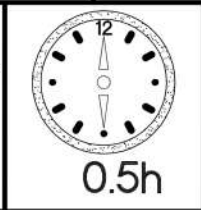
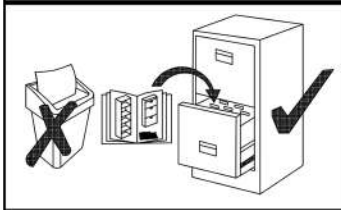
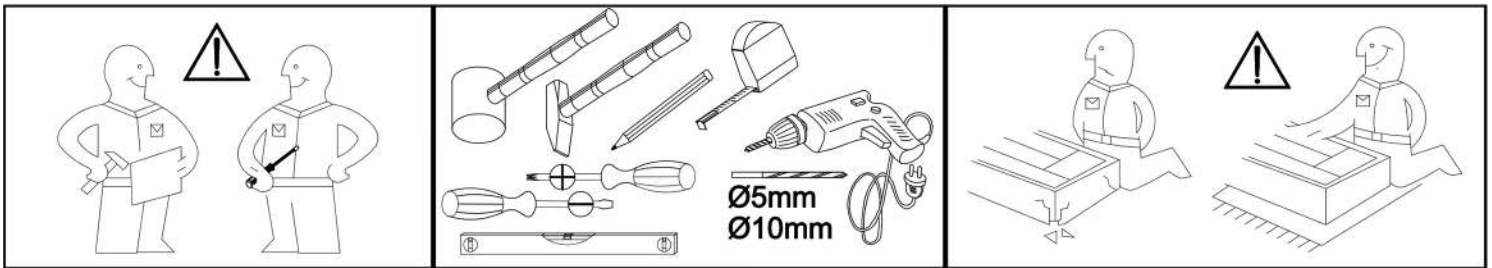


7

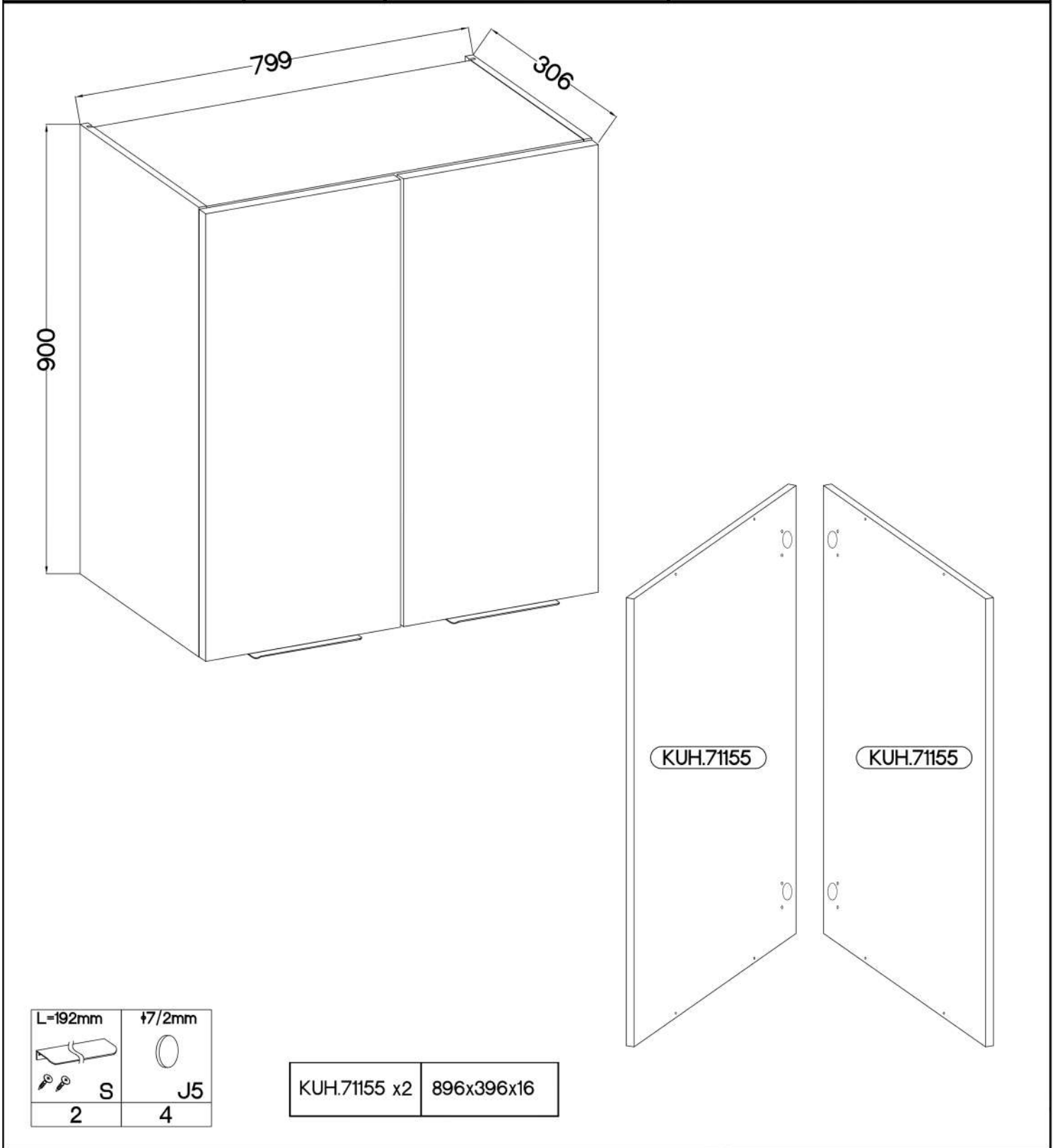
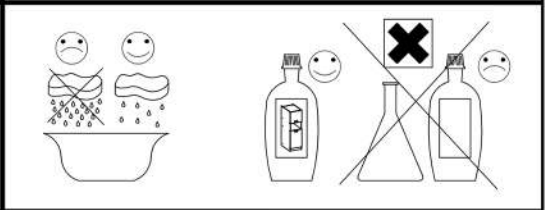


8





**896x396**

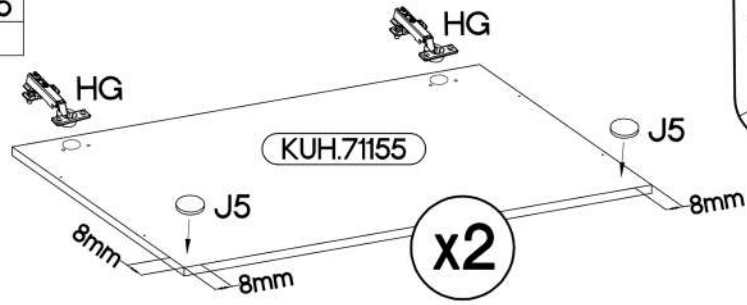
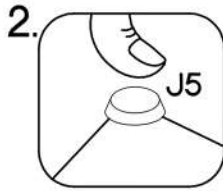
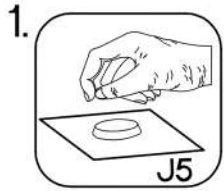
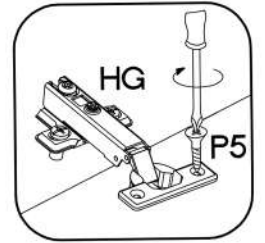


L=192mm	±7/2mm
S	J5
2	4

KUH.71155 x2	896x396x16
--------------	------------

# 1

$\pm 35/0\text{mm}$ [CD] HG 4	$\pm 3.5 \times 13\text{mm}$ P5 8	$\pm 7/2\text{mm}$ J5 4
--	---	-------------------------------



# 2

L=192mm S 2
-------------------

