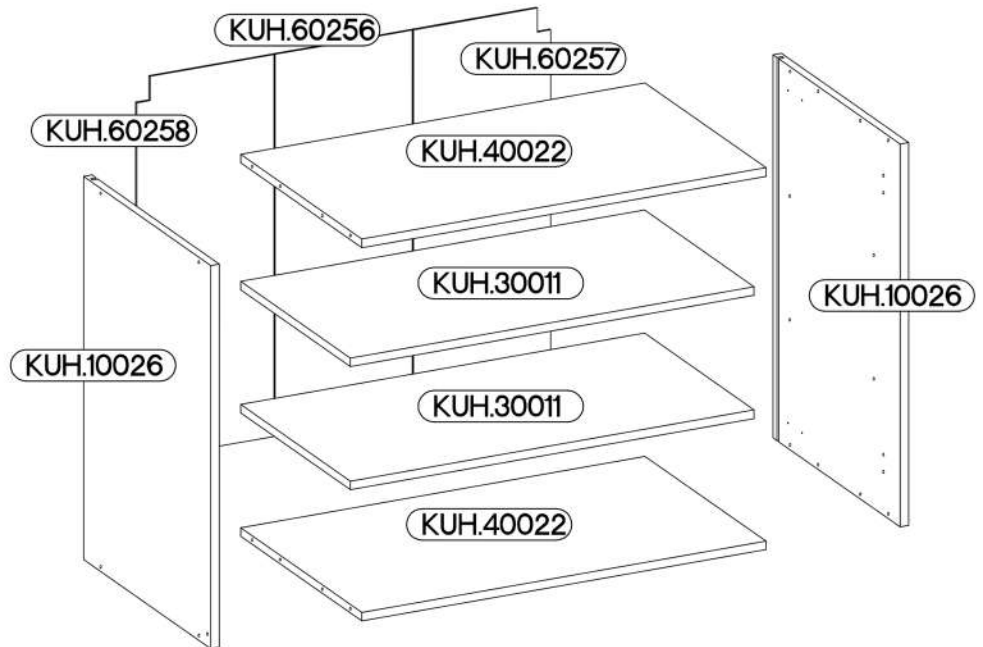
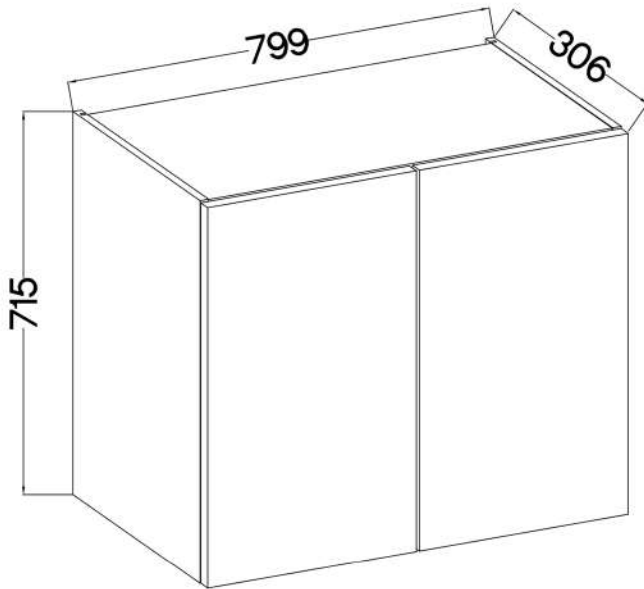
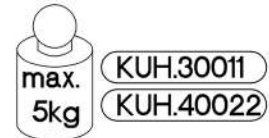
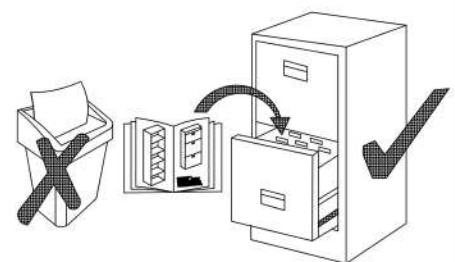


FRISBO 80 G-72 2F






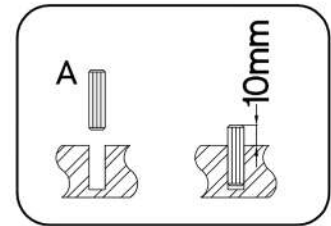
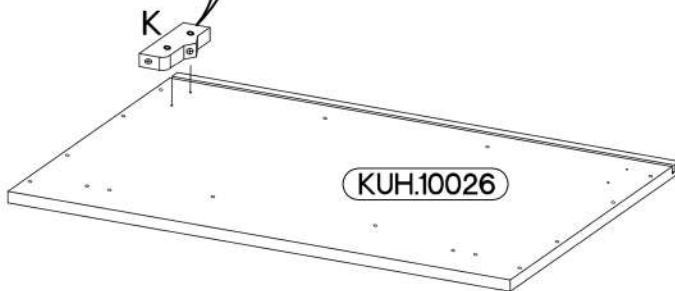
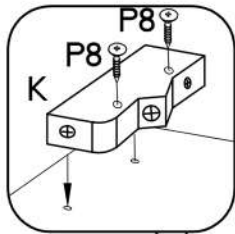
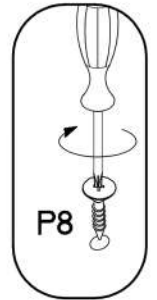
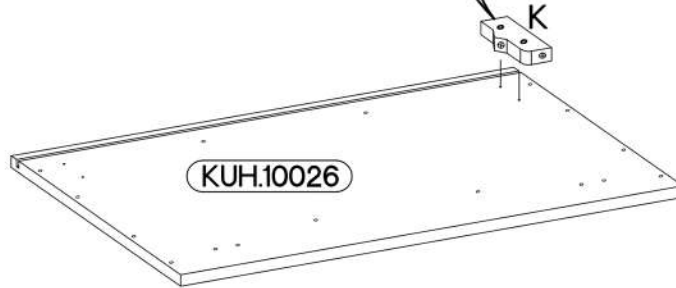
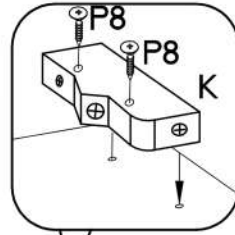
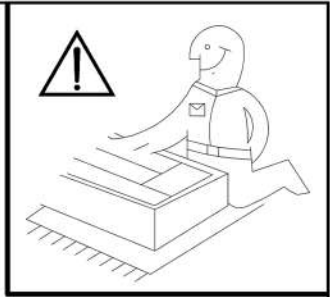
KUH.10026 x2	715x290x16
KUH.30011 x2	766x250x16
KUH.40022 x2	767x276x16
KUH.60256	713x260x2,5
KUH.60257	713x260x2,5
KUH.60258	713x260x2,5

 A 8	 B 8	 E1 8	 HG 4
 J 8	 K 2	 L1 2	 O 1
 P5 8	 P7 15-20	 P8 4	






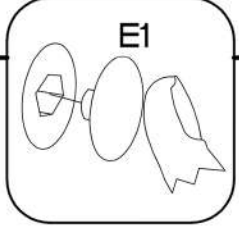
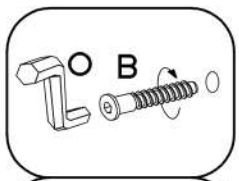
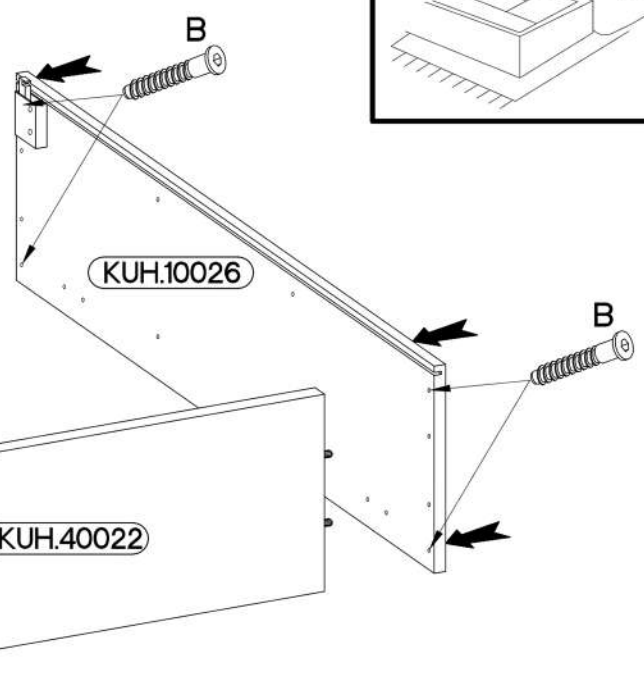
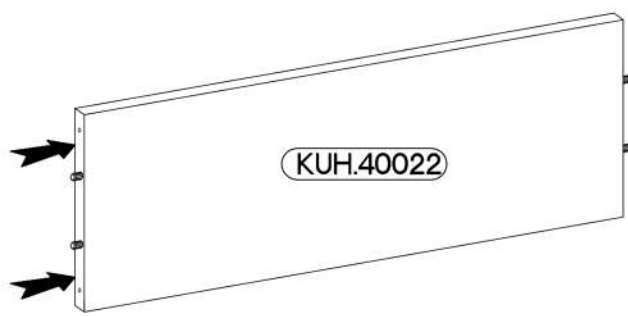
1

 +8x30mm A	 +4.0x30mm P8	 K
8	4	2

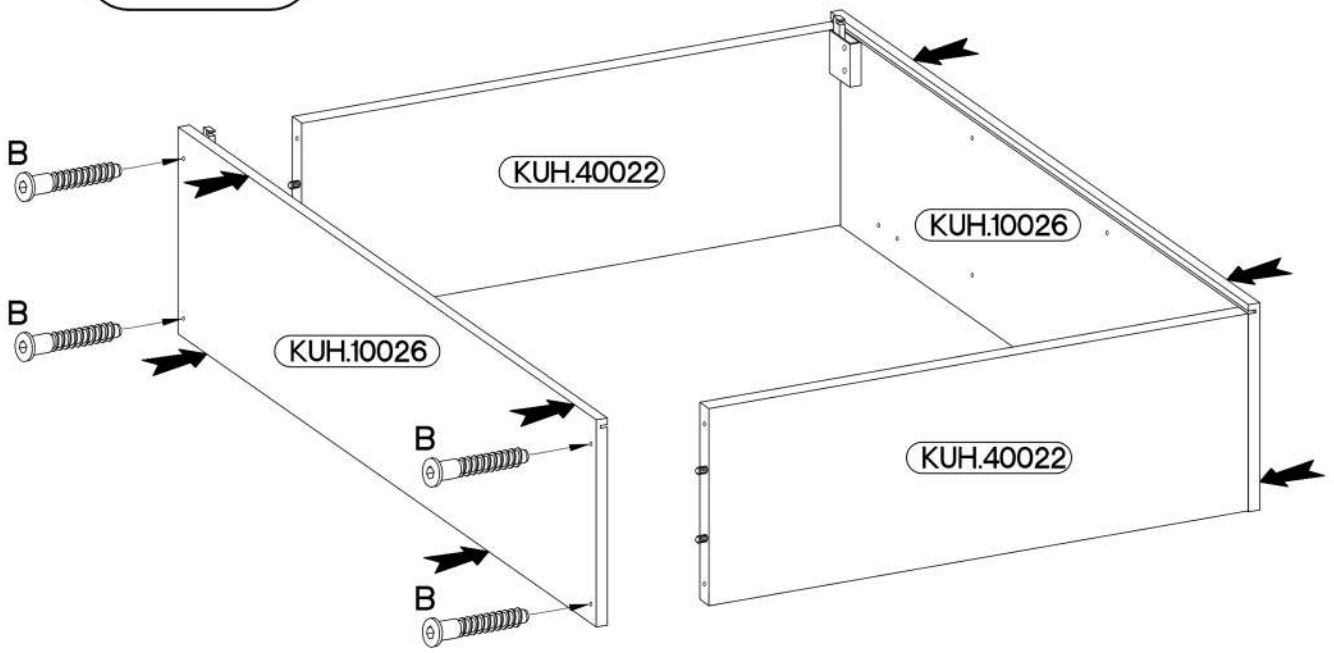





2

6,4 x 50mm		
		
B	O	E1
4	1	4

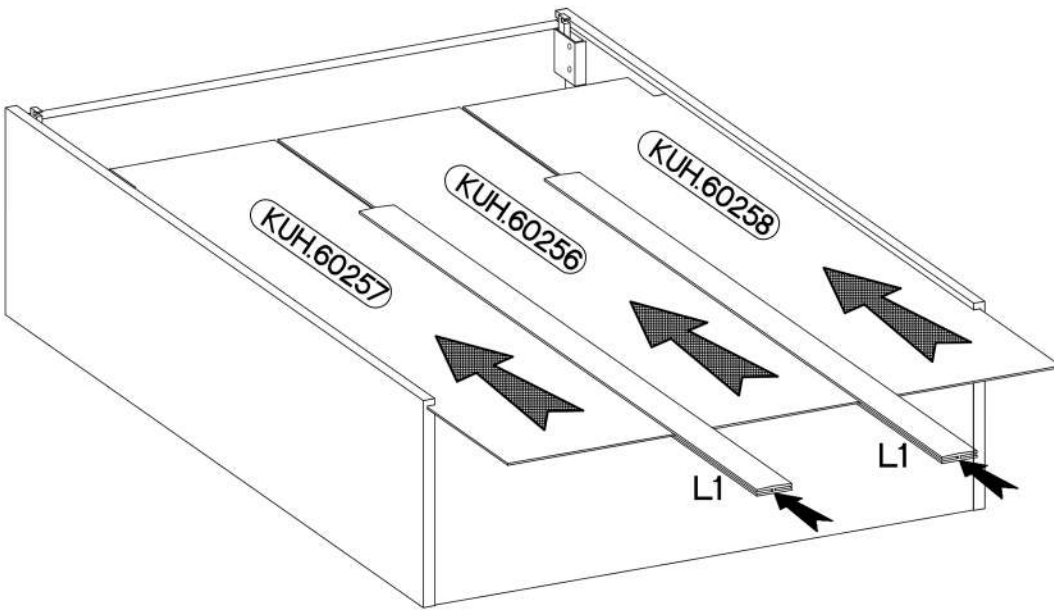
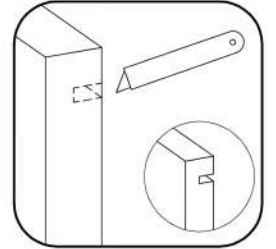
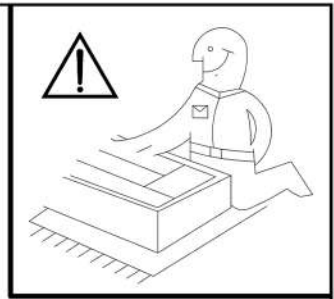
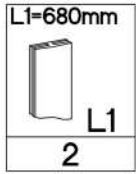


3

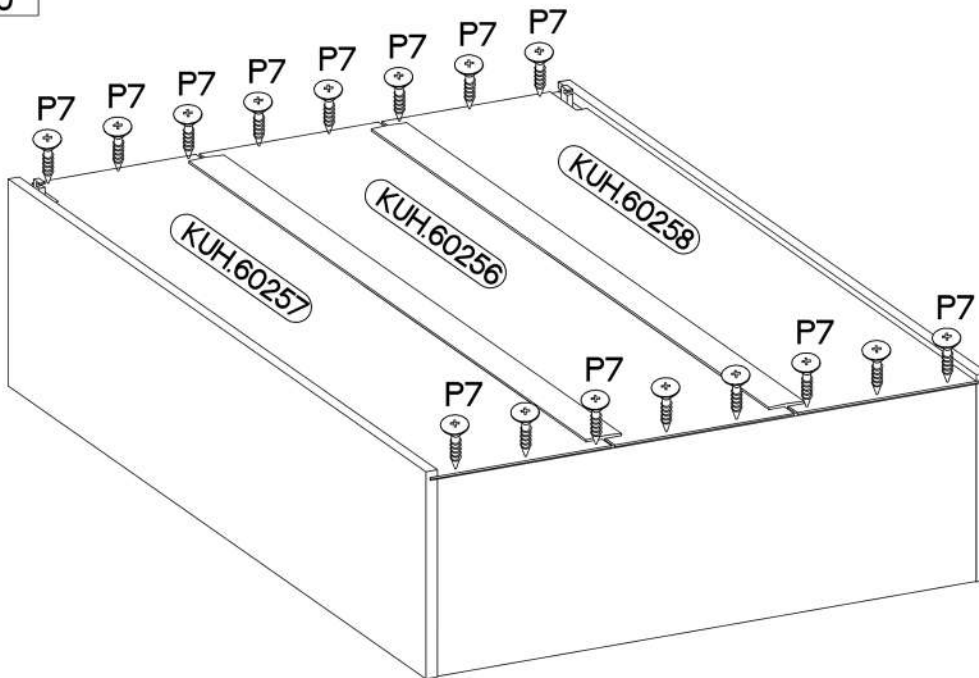
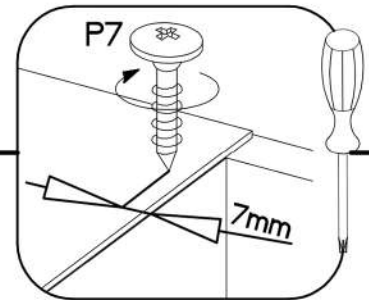
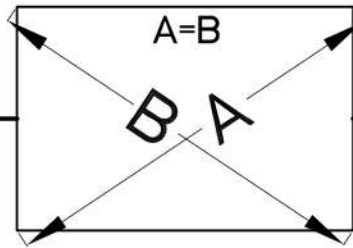


6,4 x 50mm		
		
B	O	E1
4	1	4

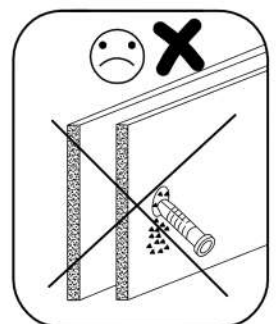
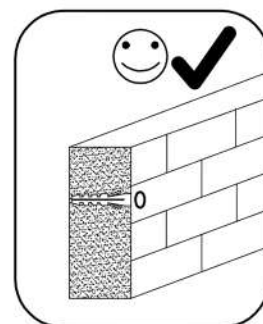
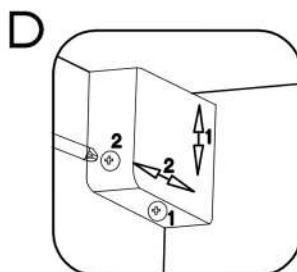
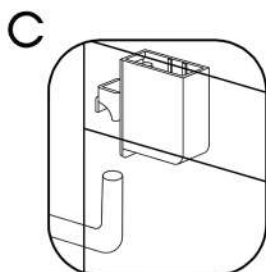
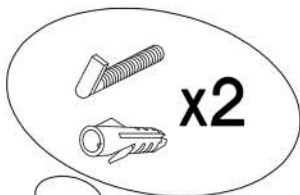
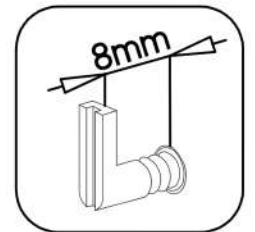
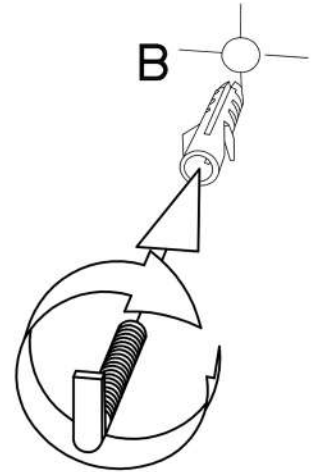
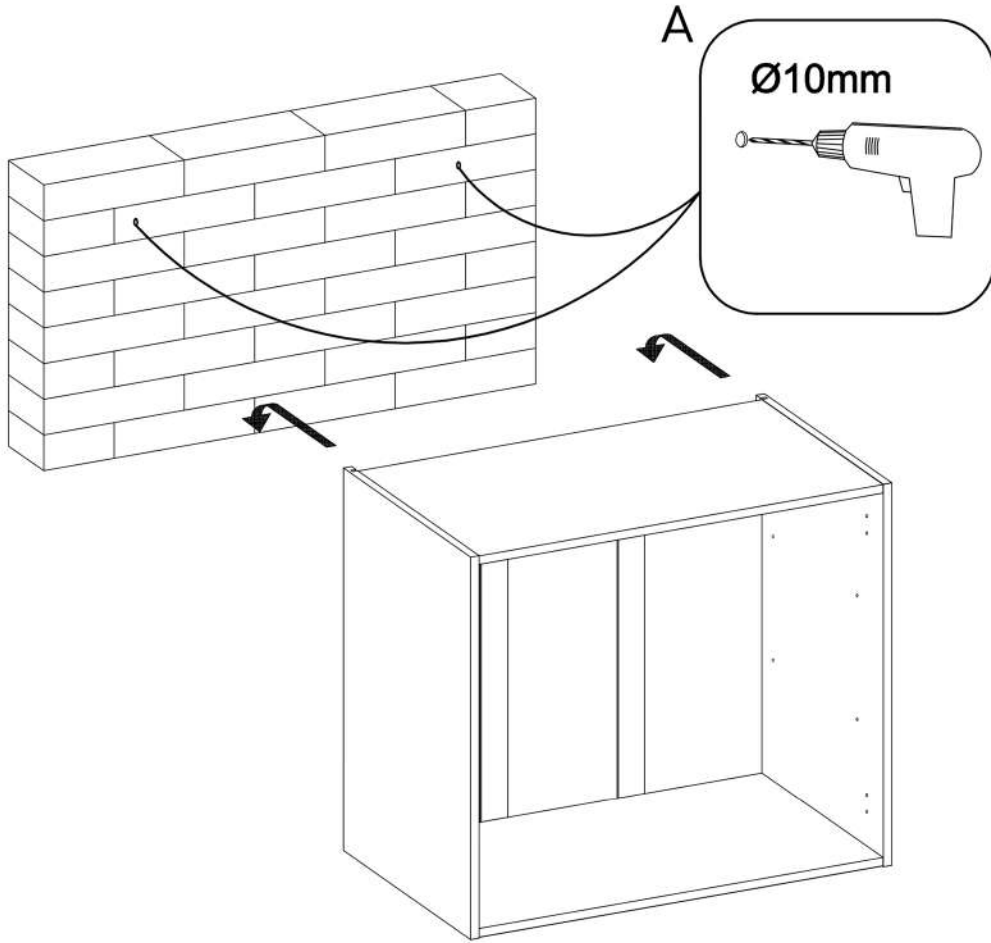
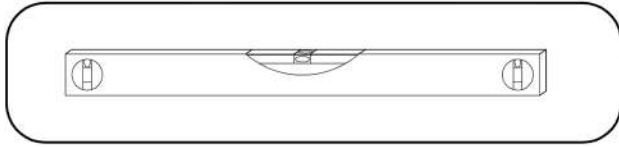
4

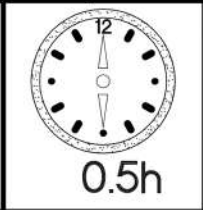
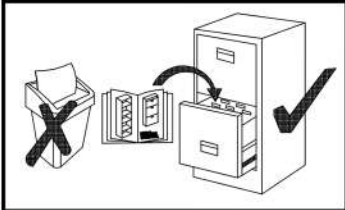
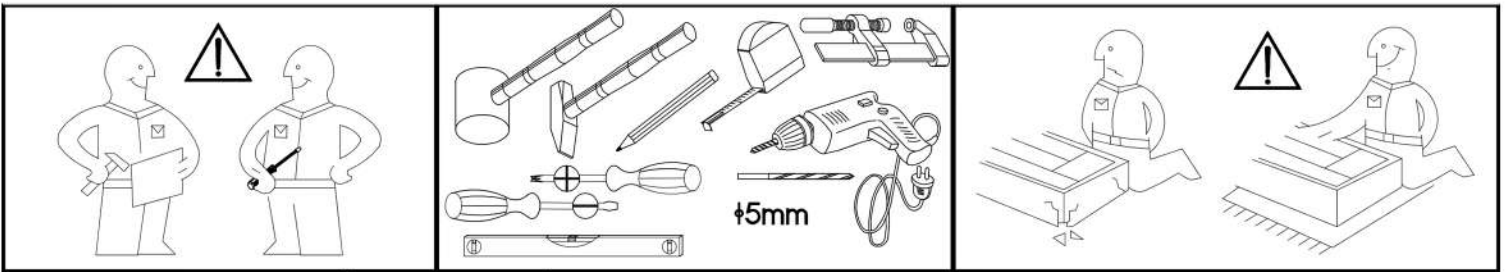


5

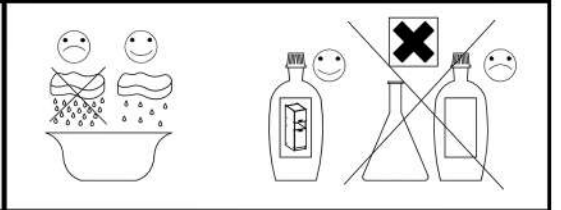


6

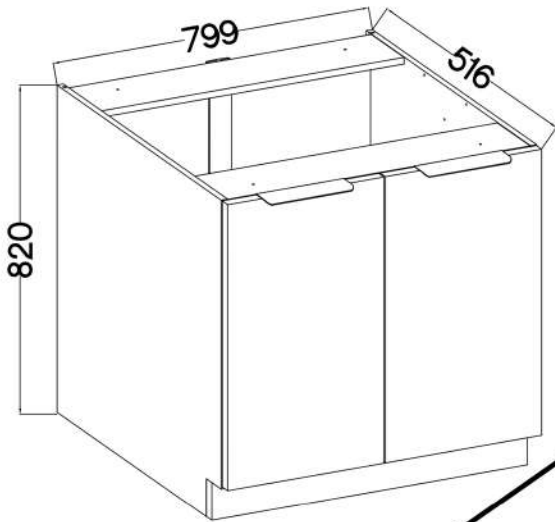




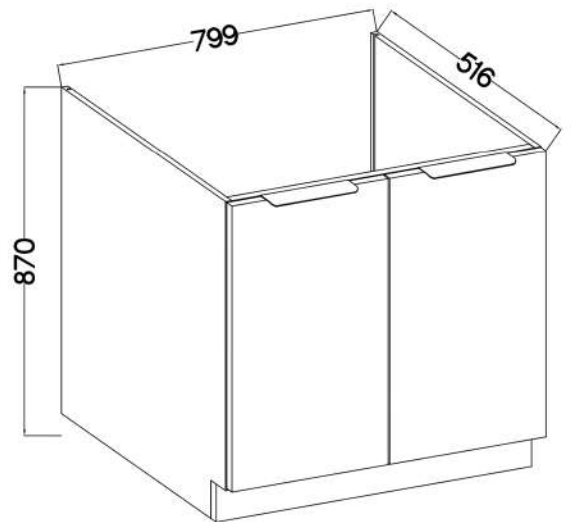
713x396



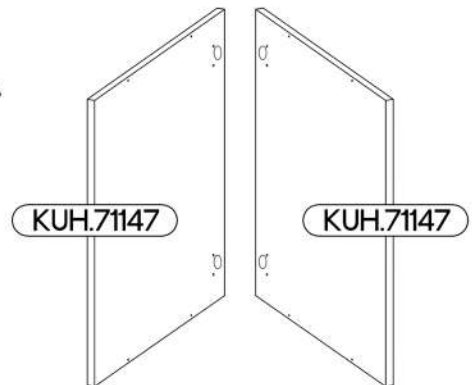
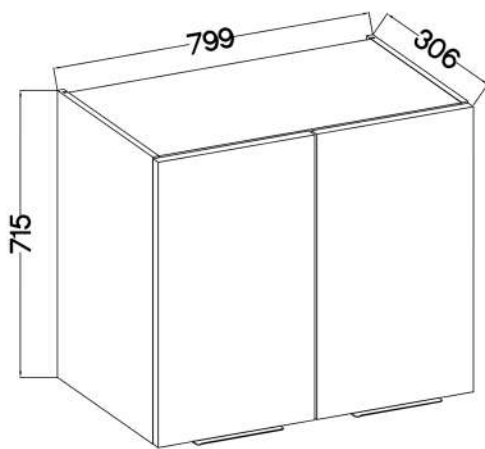
80 D 2F BB



80 ZL 2F BB



80 G-72 2F

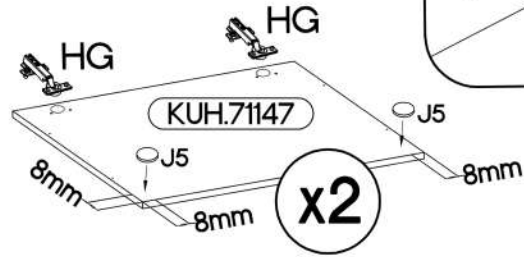
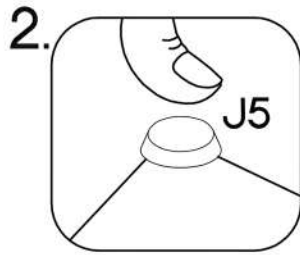
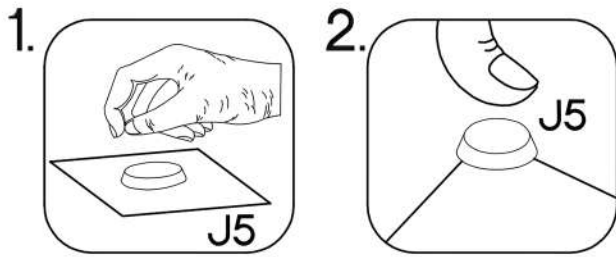
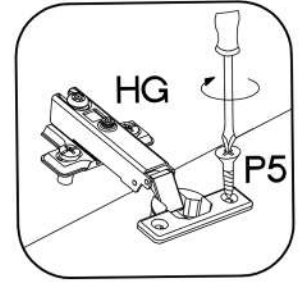


L=192mm	$\pm 7/2\text{mm}$
S	J5
2	4

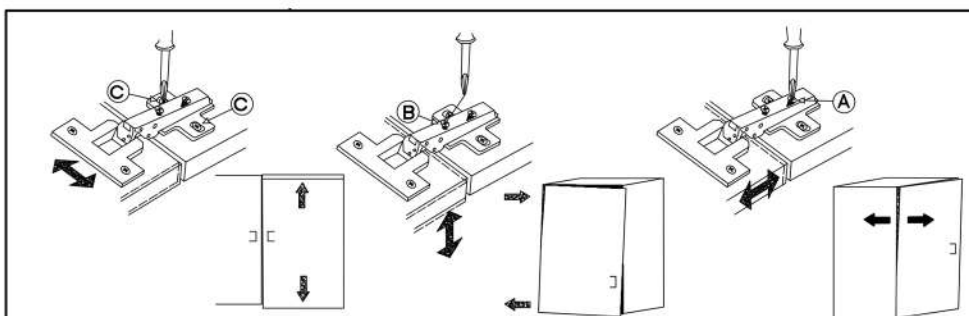
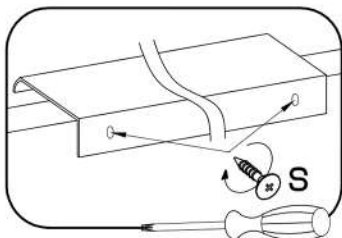
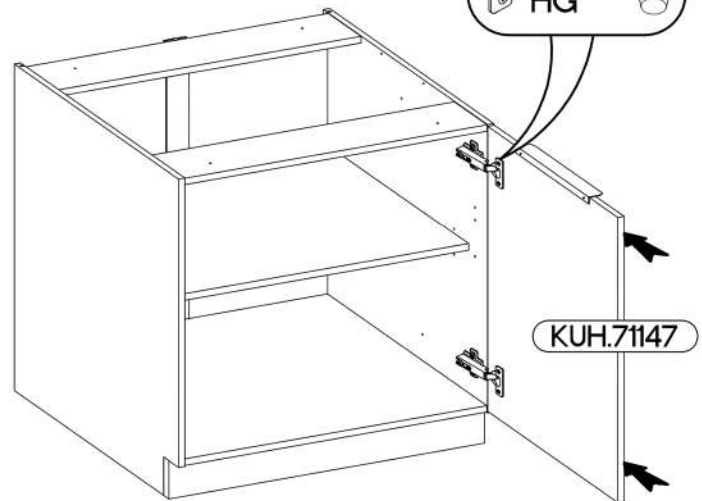
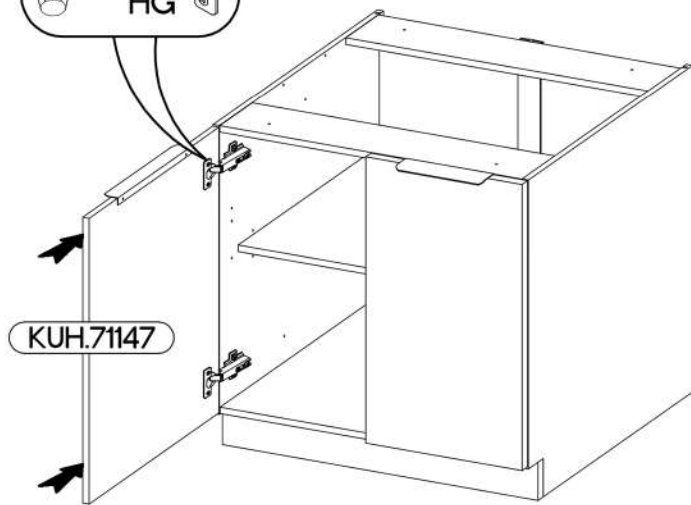
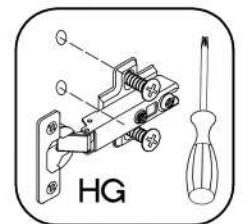
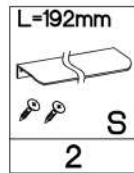
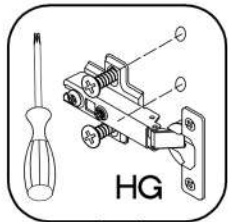
KUH.71147 x2 | 713x396x16

1 80 D 2F BB

±35/0mm [CD] HG 4	±3.5x13mm P5 8	±7/2mm J5 4
-------------------------	----------------------	-------------------

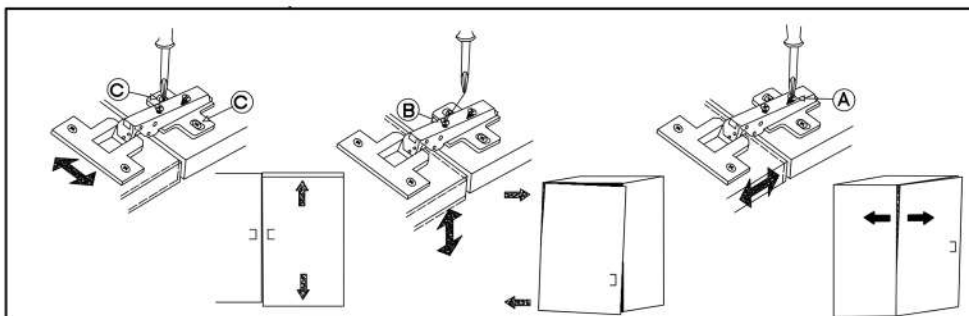
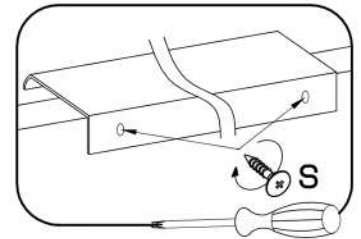
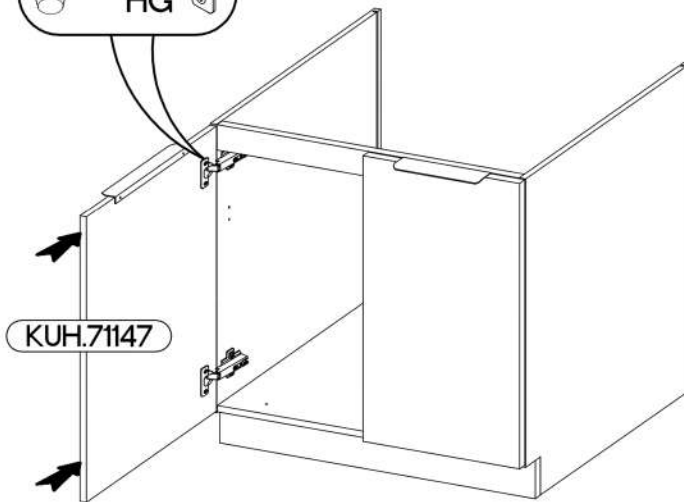
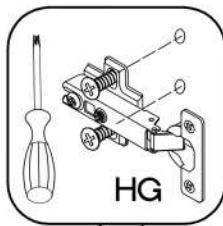
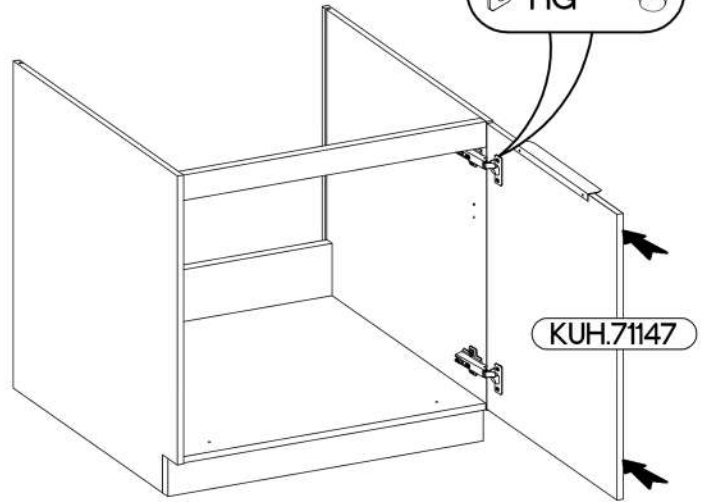
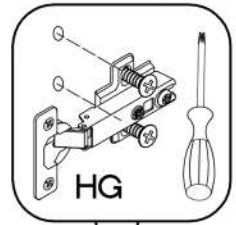


2



3

80 ZL 2F BB



4

80 G-72 2F

