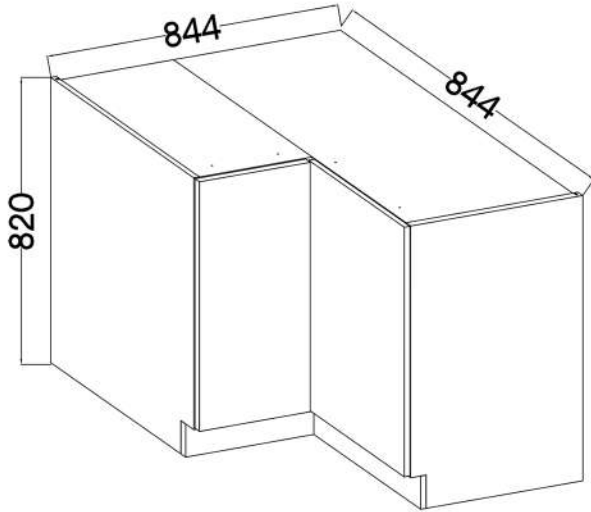


FRISBO 90x90 DN 2F BB

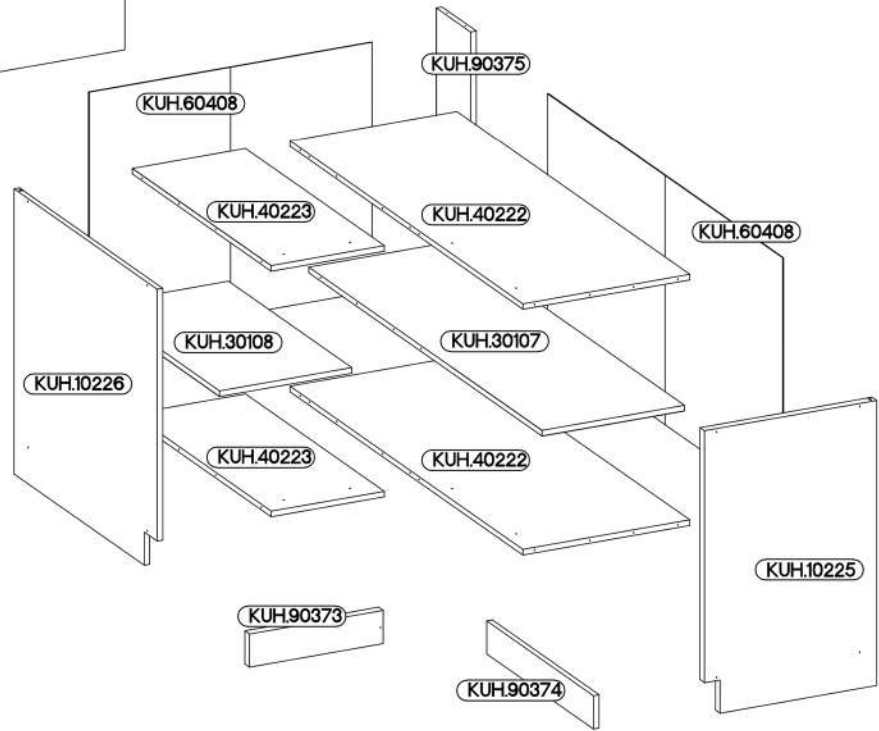


max.
10kg

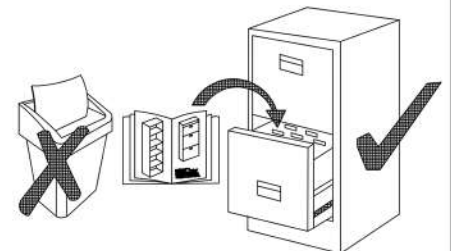
KUH.30107
KUH.30108
KUH.40222
KUH.40223



KUH.10225	815x500x16
KUH.10226	815x500x16
KUH.30107	814x414x16
KUH.30108	384x430x16
KUH.40222 x2	814x485x16
KUH.40223 x2	329x485x16
KUH.60408 x2	713x822x2,5
KUH.90373	389x95x16
KUH.90374	373x95x16
KUH.90375	686x120x16

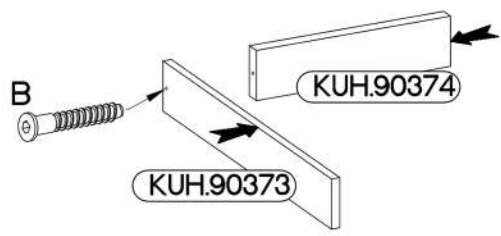
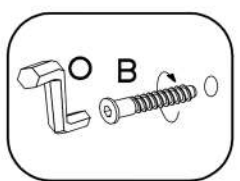
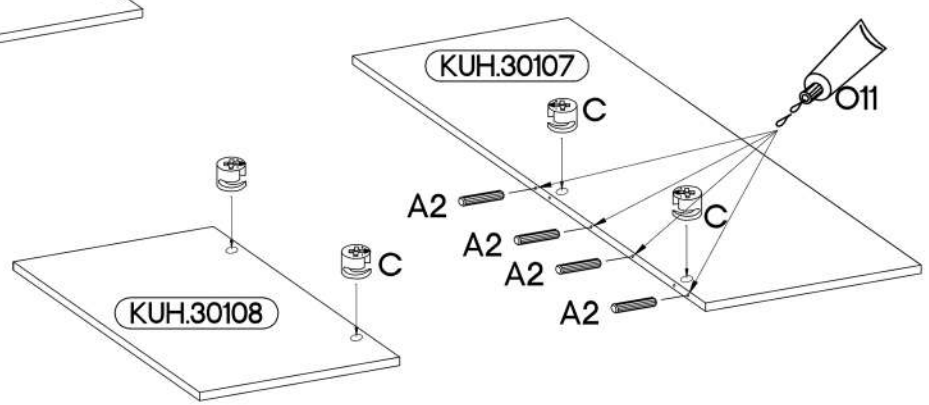
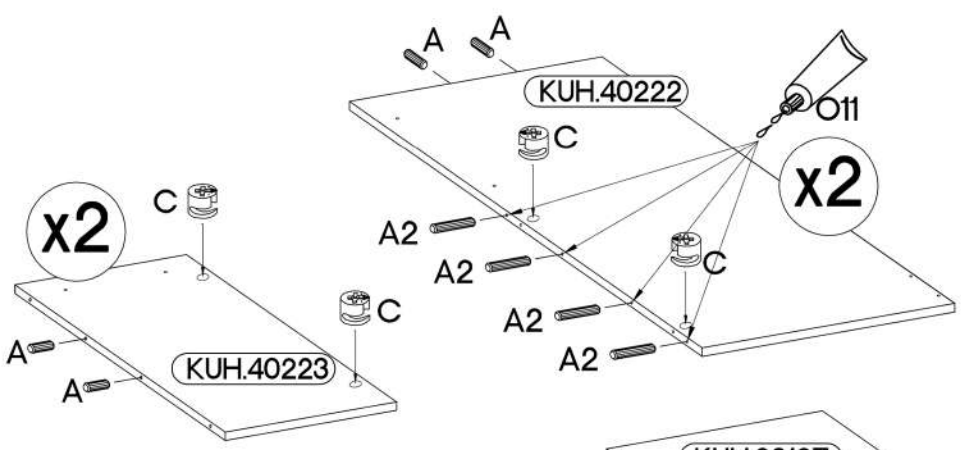
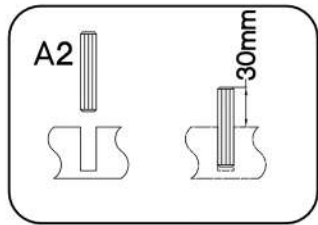
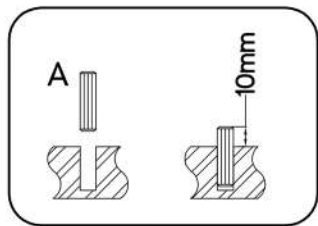
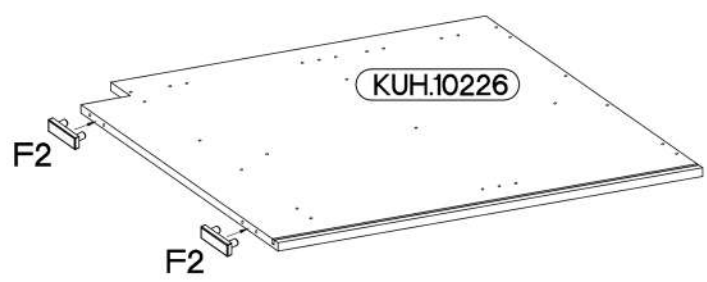
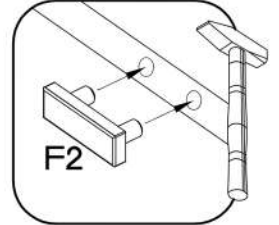
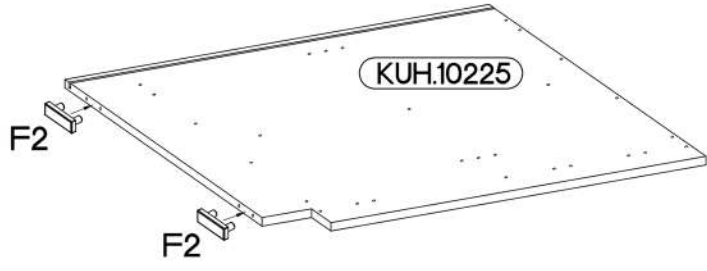


$\pm 8 \times 30 \text{mm}$ A	$\pm 8 \times 60 \text{mm}$ A2						
8	12						
$6,4 \times 50 \text{mm}$ B	$\pm 5/12 \text{mm}$ C	L=40mm D12				$6,5 \times 48 \times 16$ F2	$\pm 35/175$ HG11
13	12	6	8	8	4	4	4
L=100-140mm F25	$\pm 5/19 \text{mm}$ J		0,05 O11	$\pm 4,0 \times 45 \text{mm}$ P4	$\pm 3,5 \times 13 \text{mm}$ P5	$\pm 3,0 \times 16 \text{mm}$ P11	$\pm 4,0 \times 35 \text{mm}$ R3
1	5	1	1	4	12	30-35	4







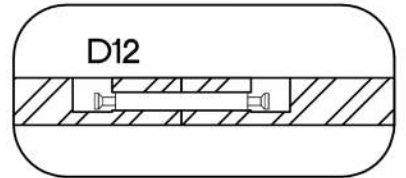
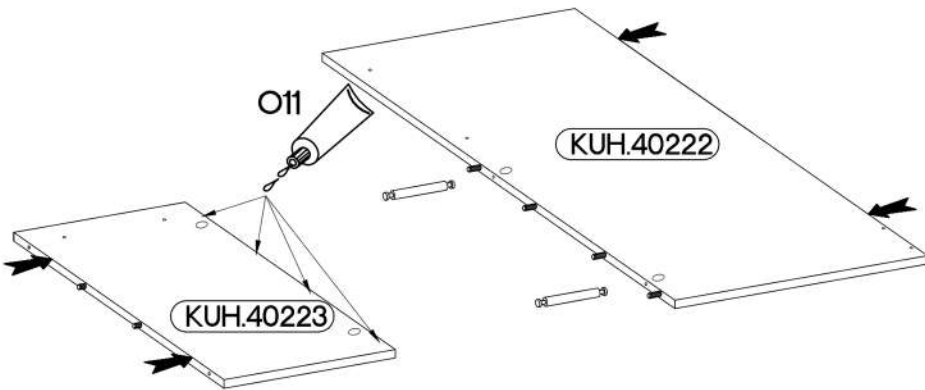
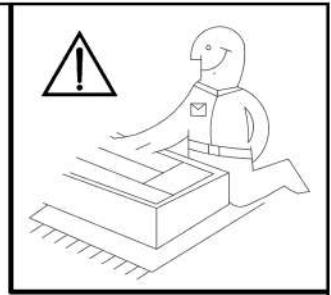
1


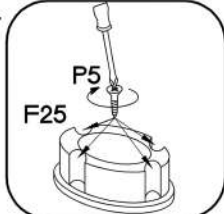
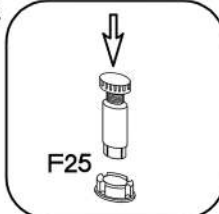
±8x30mm A 8	±8x60mm A2 12	6,4 x 50mm B 1	±15/12mm C 12	6.5x48x16 F2 4	0,05 O11 1
-------------------	---------------------	----------------------	---------------------	----------------------	------------------

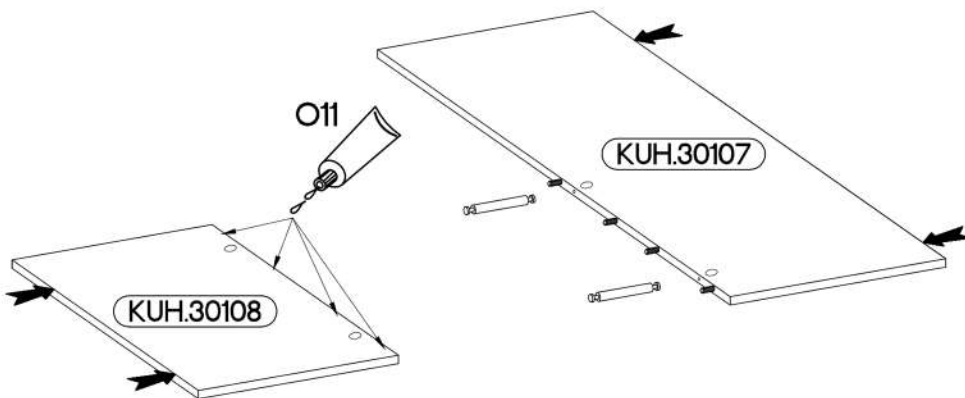
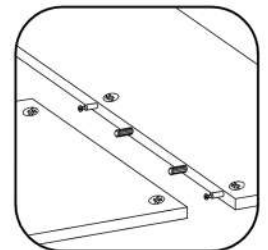
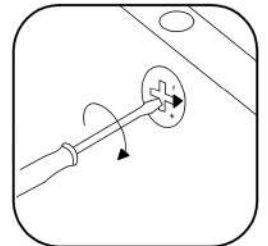
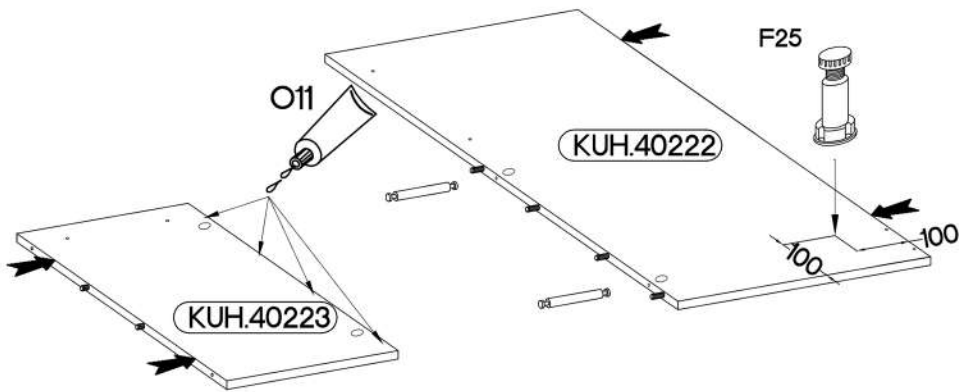


2



L=40mm 	0,05 	L=100-140mm 	±3.5x13mm 
D12 6	O11 1	F25 1	P5 4

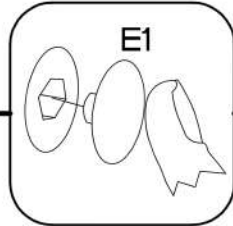
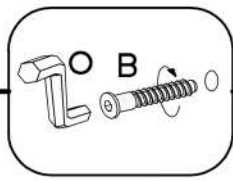
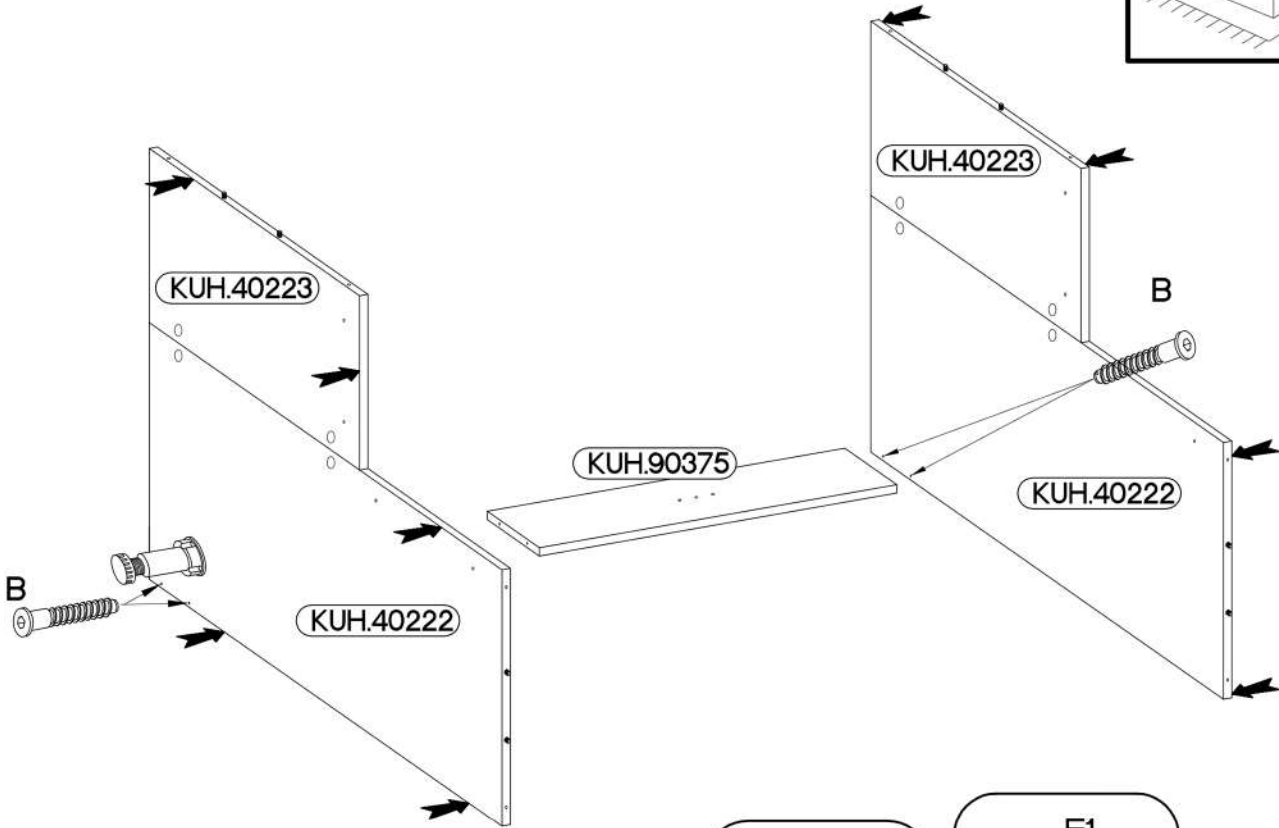
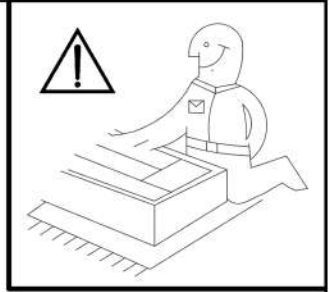


- 
- 
- 






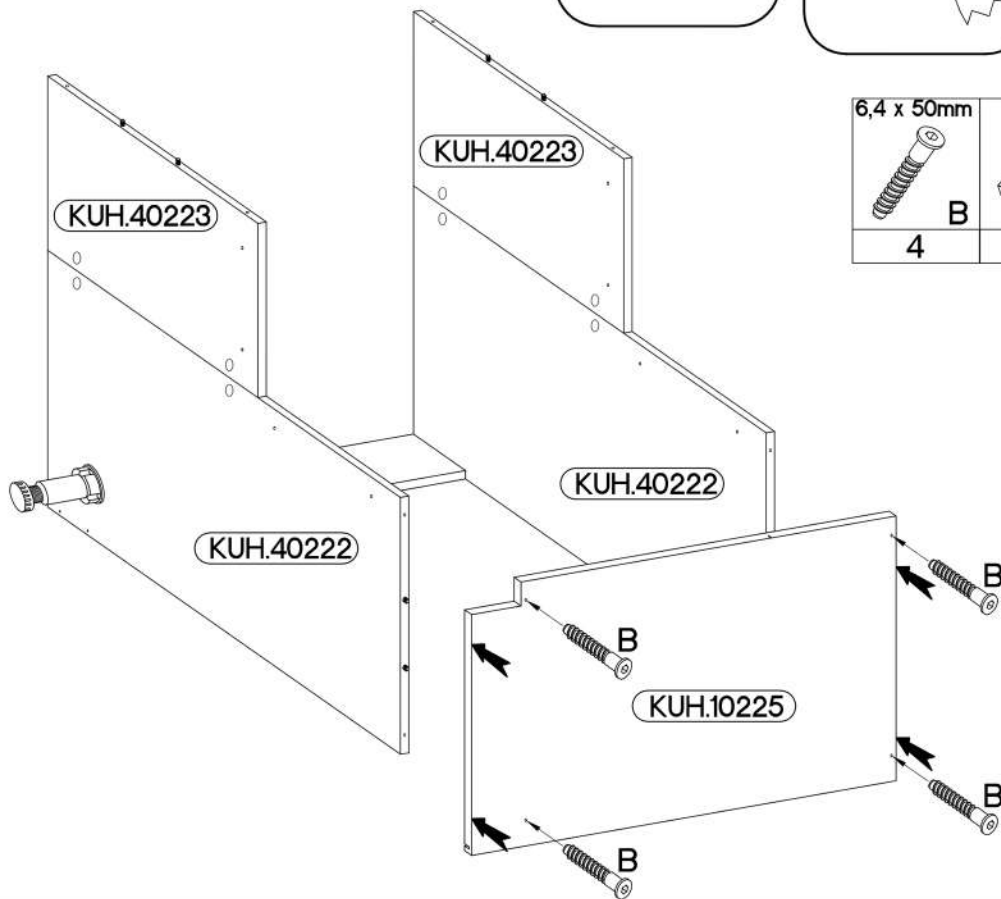
3

6,4 x 50mm	
	
B	O
4	1






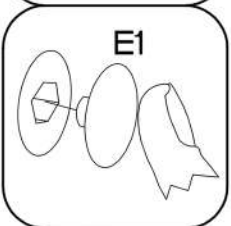
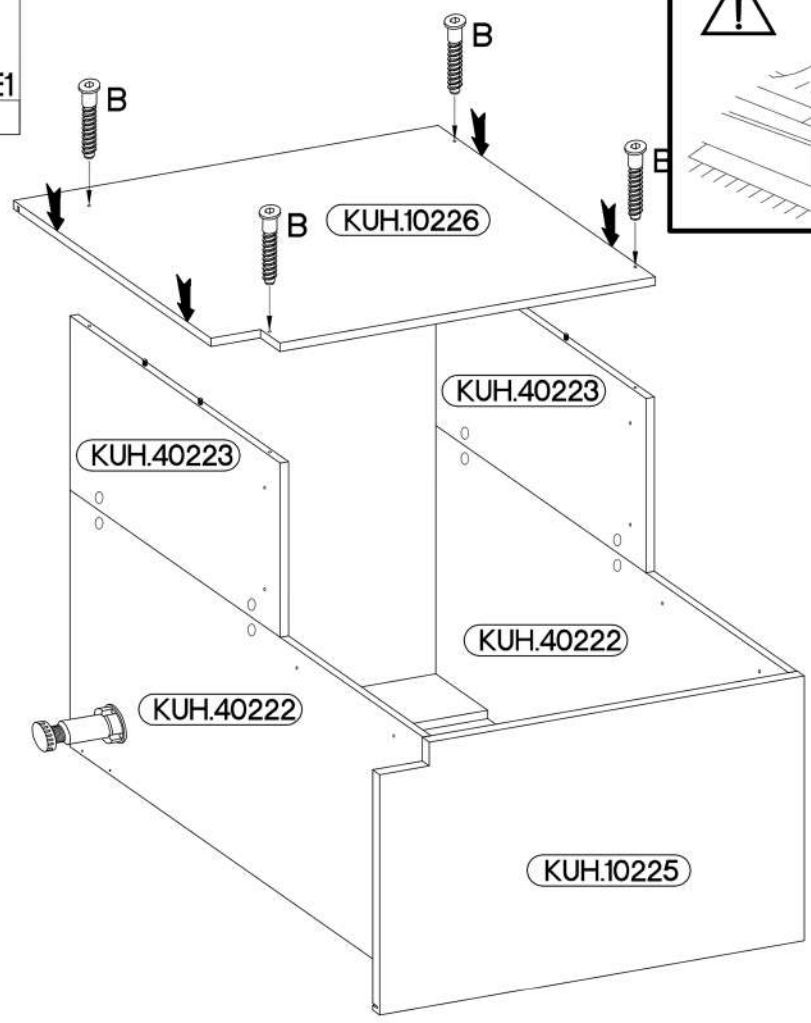
4

6,4 x 50mm		
		
B	O	E1
4	1	4





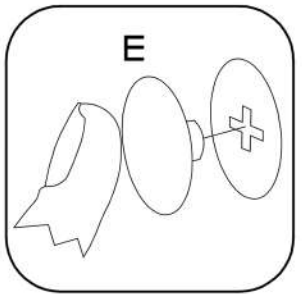
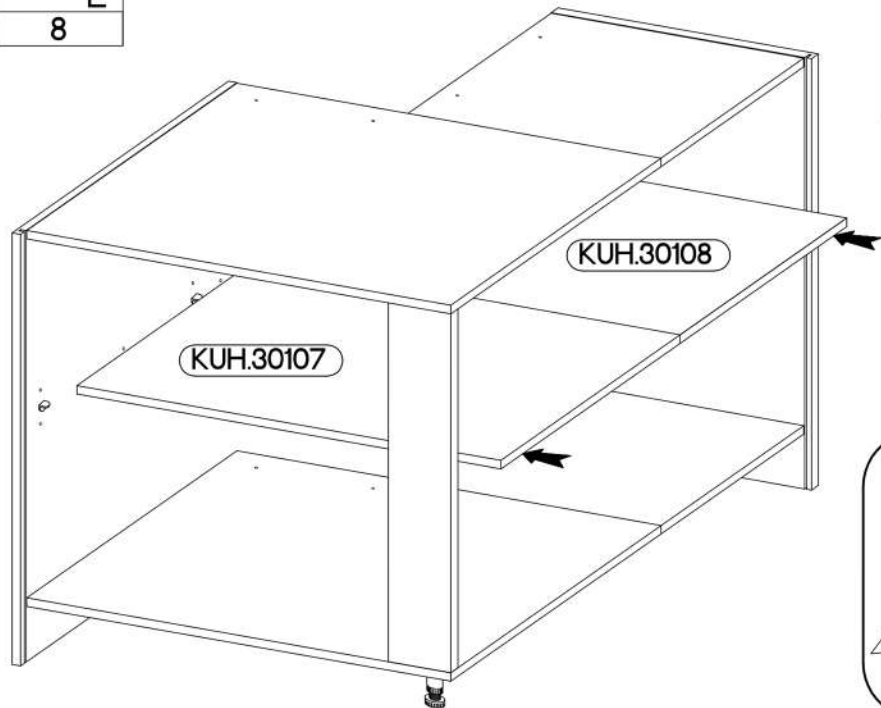
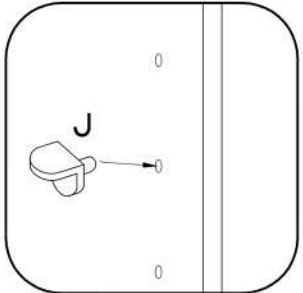
5

6,4 x 50mm		
		
B	O	E1
4	1	4




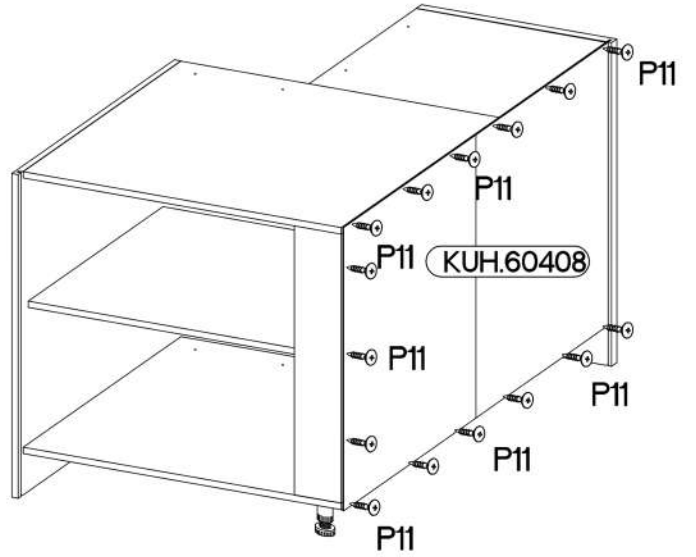
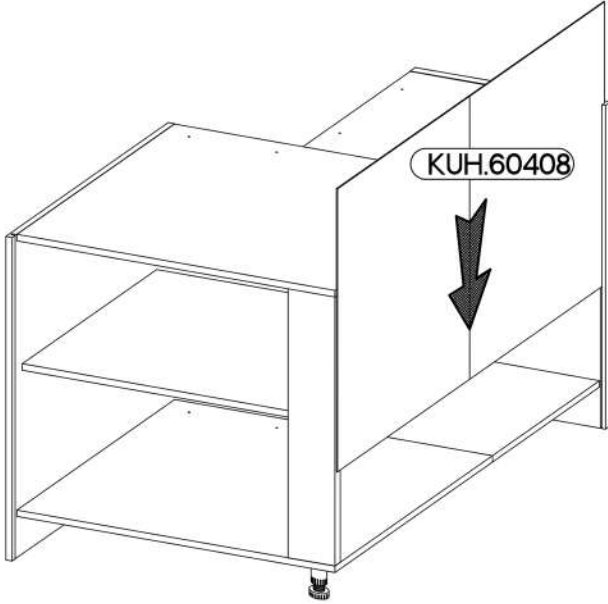
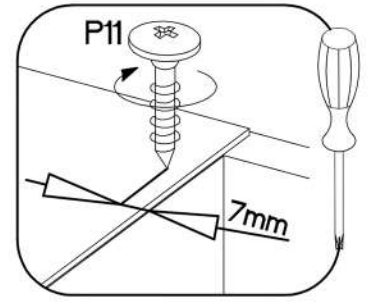
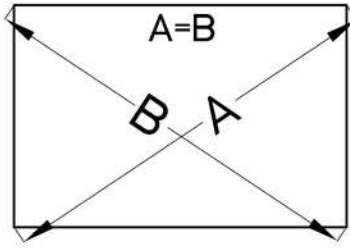
6

±5/19mm	
	
J	E
5	8




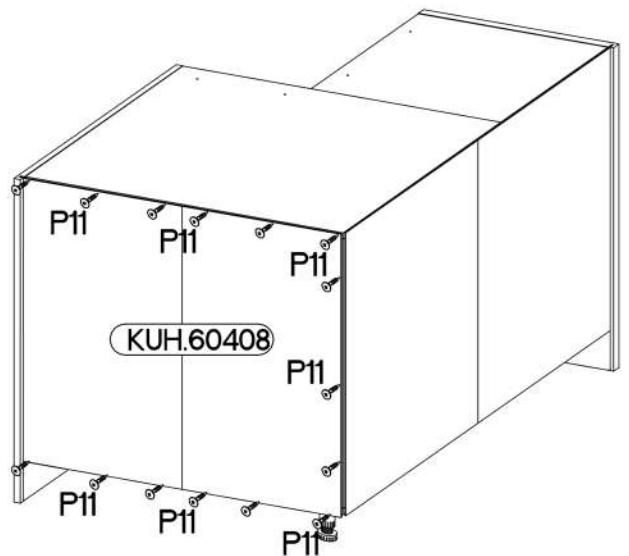
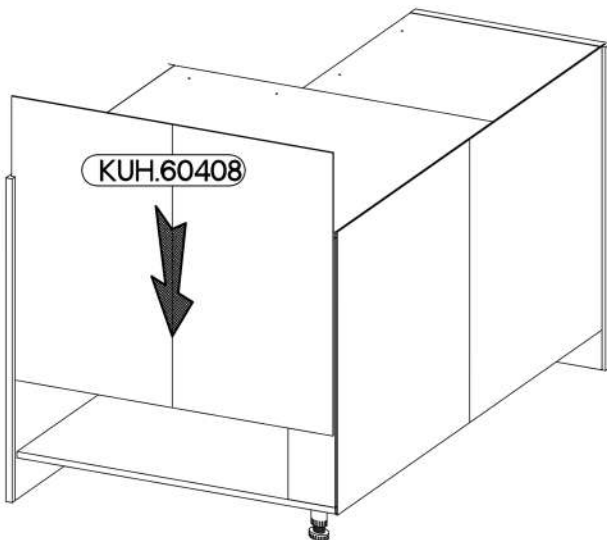
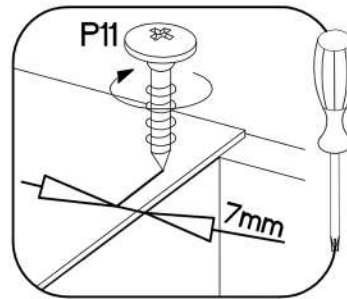
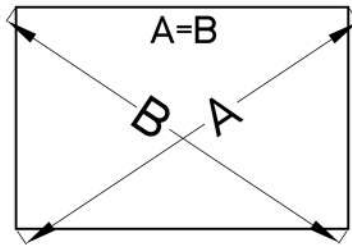
7

±3.0x16mm

 P11
 15





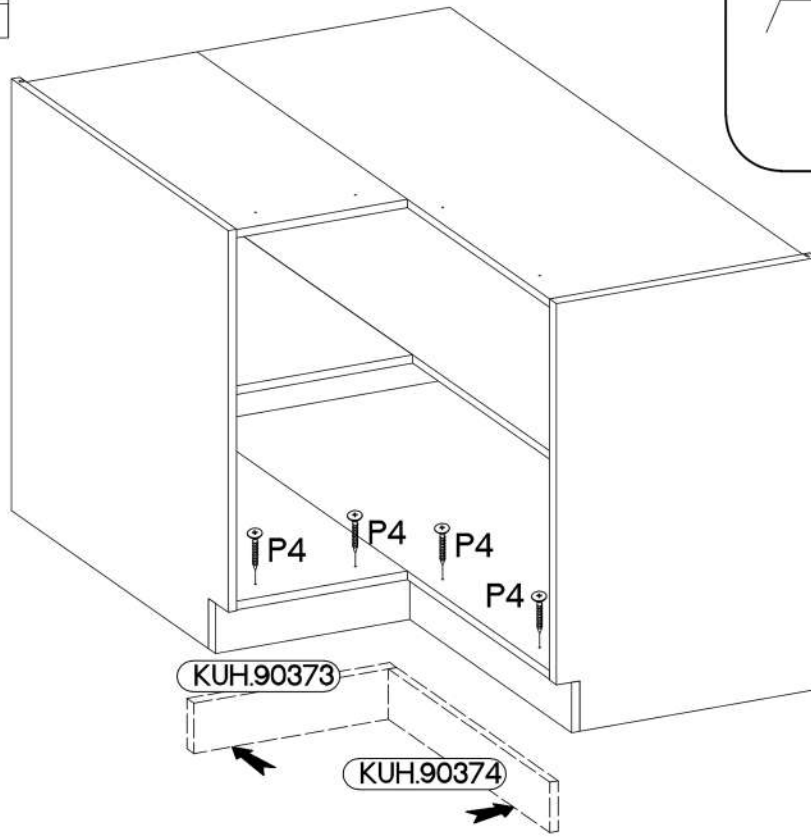
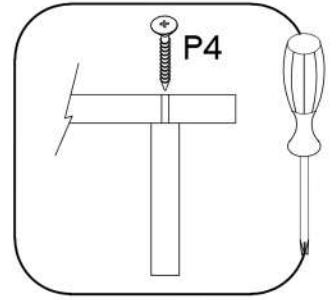
8

±3.0x16mm

 P11
 15



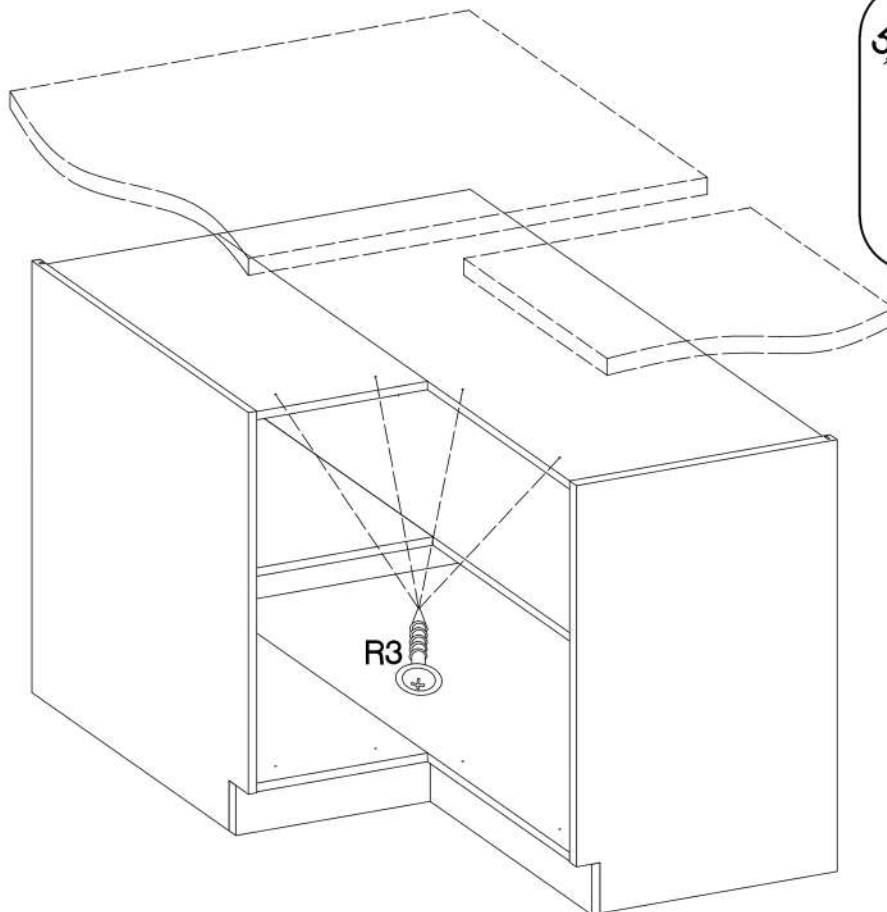
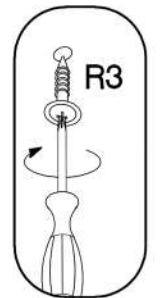
9

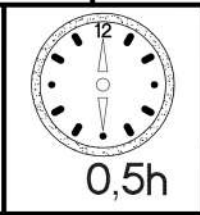
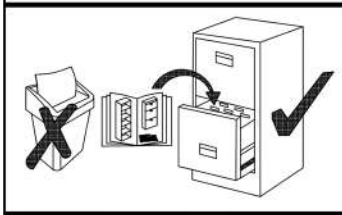
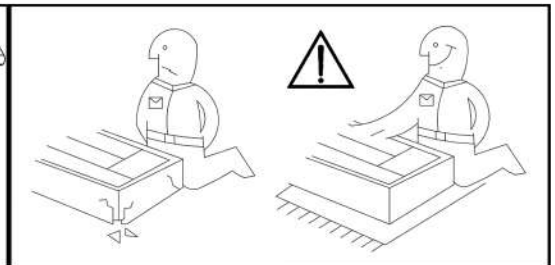
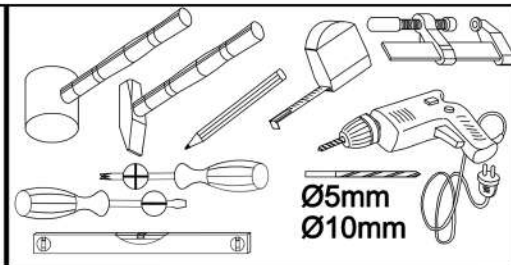
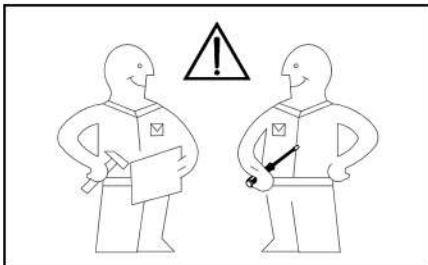
+4.0x45mm	
	E9
4	4



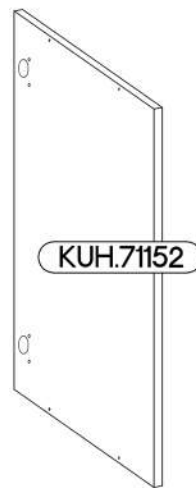
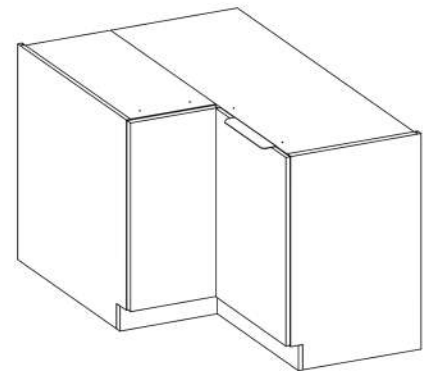
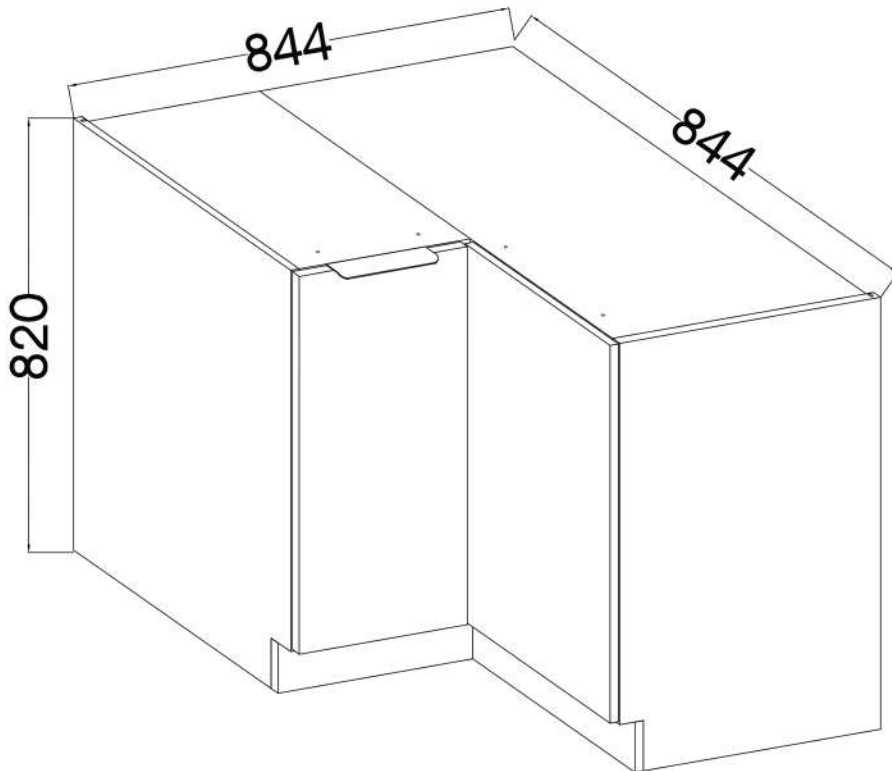
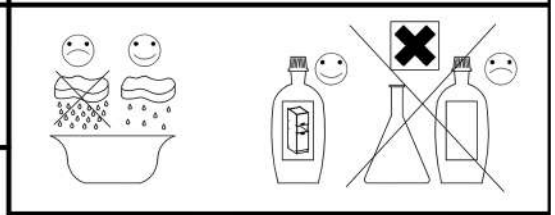
10

+4.0x35mm	
R3	
4	








90x90 ND 2F BB

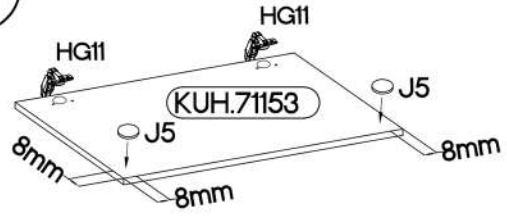
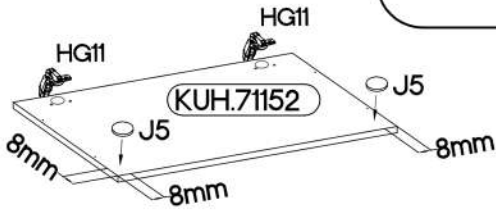
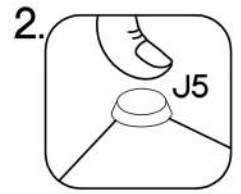
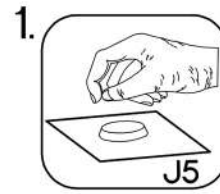
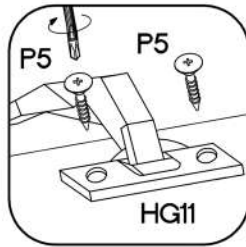


L=160mm	+7/2mm
S	J5
1	4

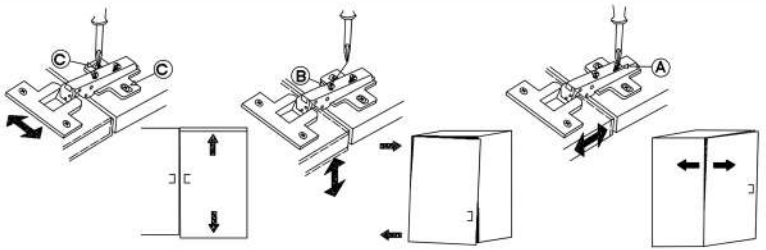
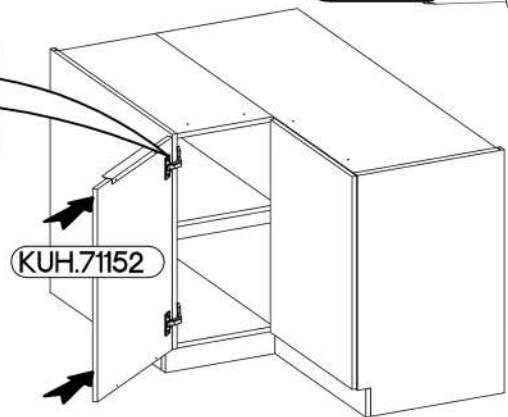
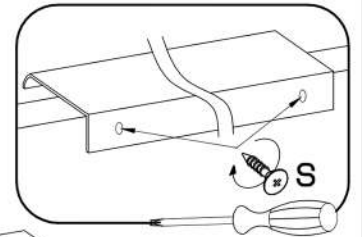
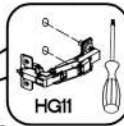
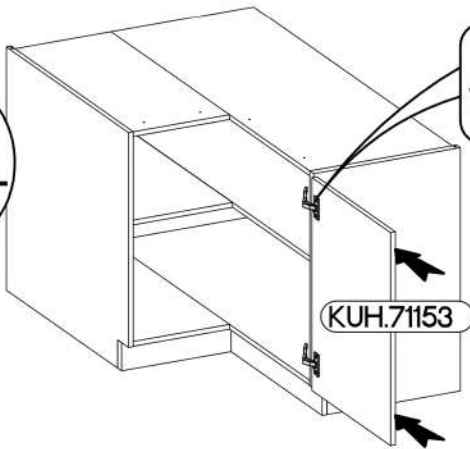
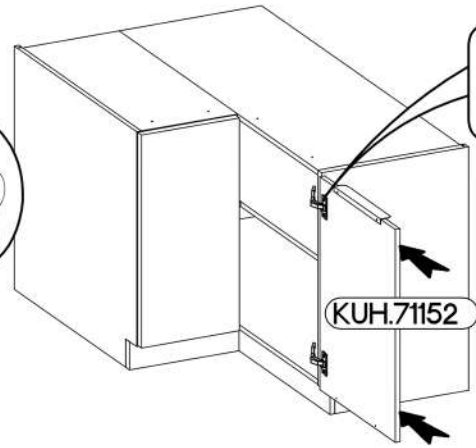
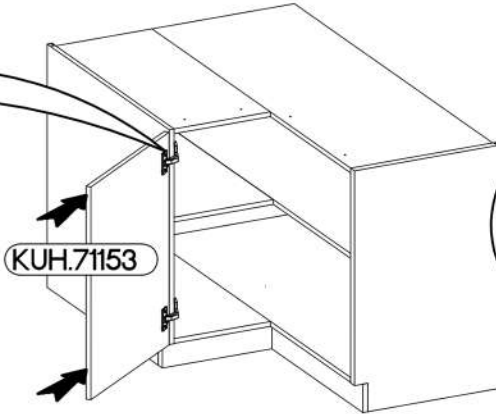
KUH.71152	713x322x16
KUH.71153	713x334x16



1

 #35/175 [CD] HG11 4	 #3.5x13mm P5 8	 #7/2mm J5 4
---	--	---



2



 L=160mm
 S
1