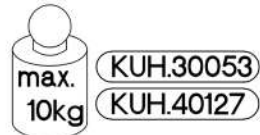
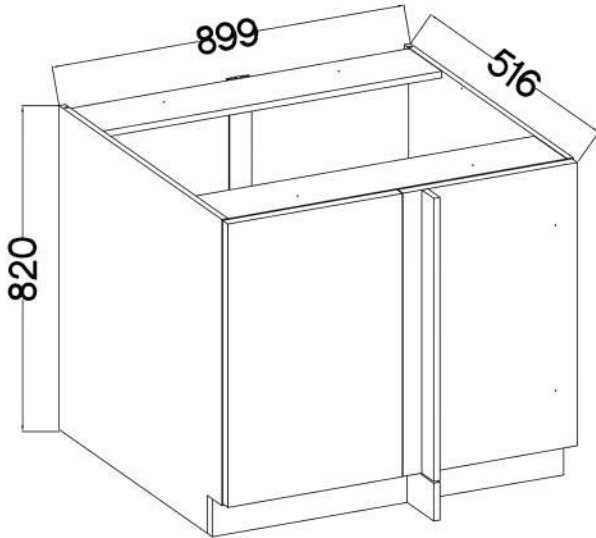
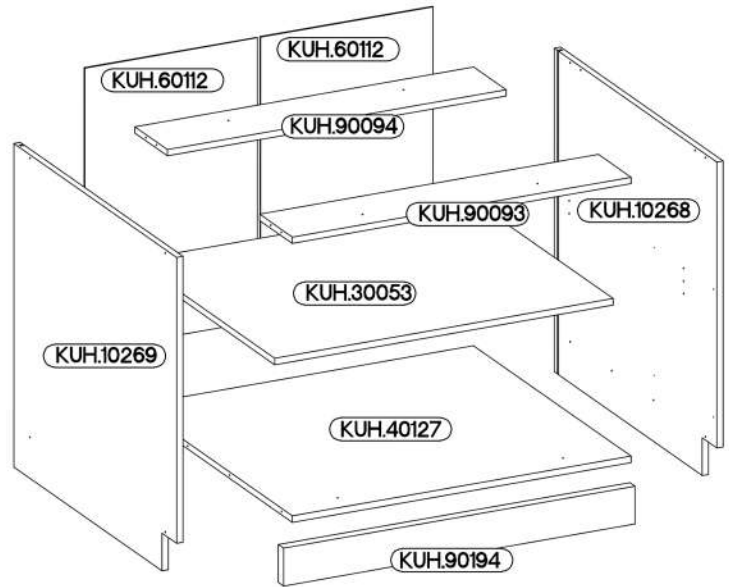
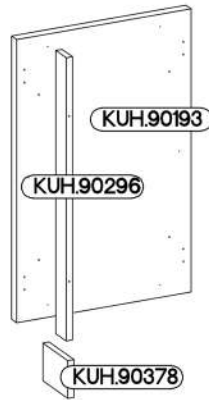


FRISBO 105 ND 1F BB

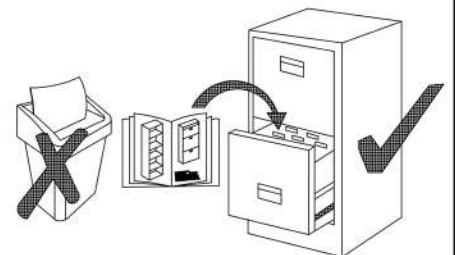


KUH.10268	815x500x16
KUH.10269	815x500x16
KUH.30053	866x430x16
KUH.40127	867x485x16
KUH.60112 x2	713x441x2,5
KUH.90296	713x32x16
KUH.90378	77x95x16
KUH.90093	867x100x16
KUH.90094	867x100x16
KUH.90193	713x446x16
KUH.90194	899x95x16

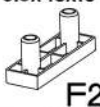



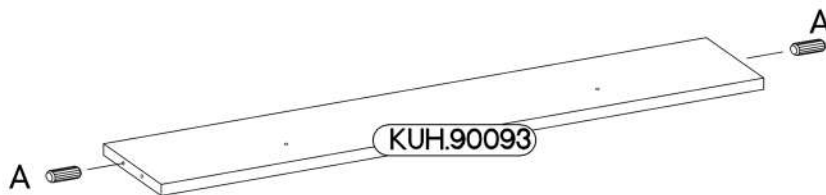
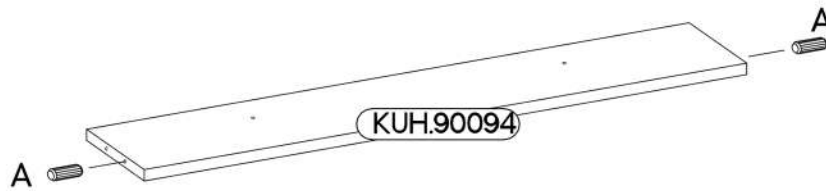
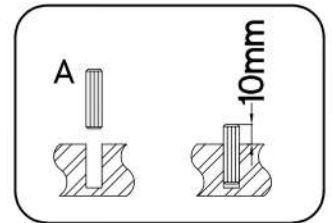
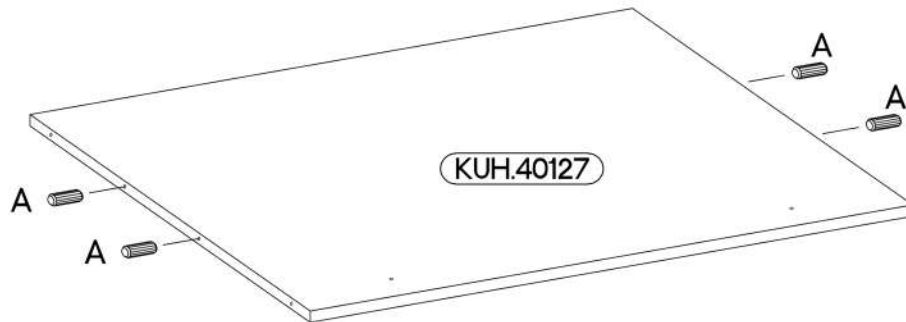
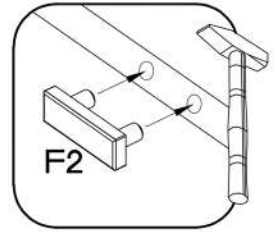
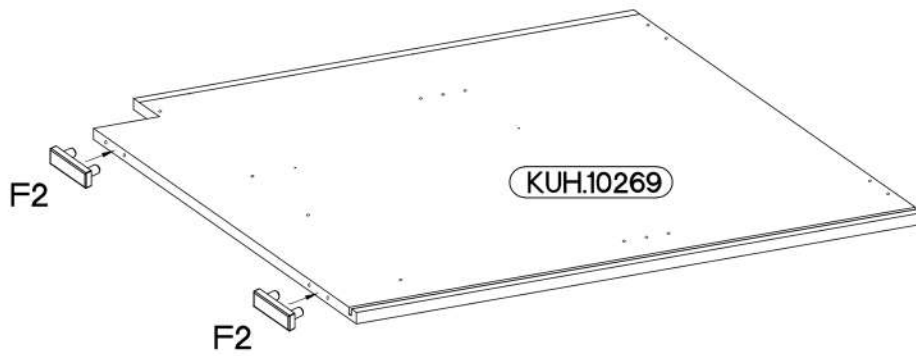
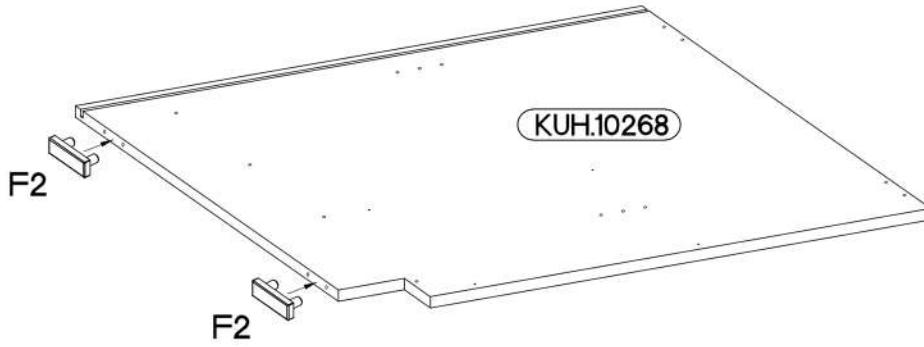
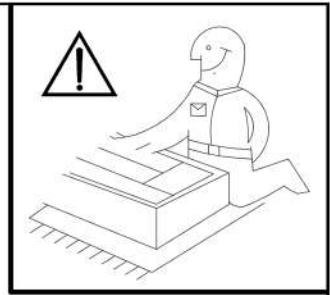
$\pm 8 \times 30 \text{mm}$ 	$6,4 \times 50 \text{mm}$ 	$\pm 6,4 \times 35 \text{mm}$
A	B	B1
8	8	2

		$6,5 \times 48 \times 16$ 	$\pm 35/90^\circ$ 	$\pm 5/19 \text{mm}$ 	$L1=680 \text{mm}$ 	
E1	E9	F2	HG6	J	L1	O
8	2	4	2	4	1	1
$\pm 4,0 \times 16 \text{mm}$ 	$\pm 4,0 \times 45 \text{mm}$ 	$\pm 3,5 \times 13 \text{mm}$ 	$\pm 3,0 \times 20 \text{mm}$ 	$\pm 4,0 \times 35 \text{mm}$ 		
P1	P4	P5	P7	R3	T3	T10
10	2	12	15-20	4	5	2



1

6.5x48x16  F2 4	+8x30mm  A 8
---	--



2

6,4 x 50mm



B

4



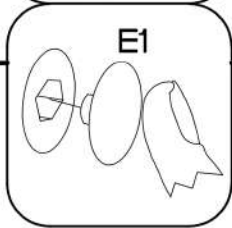
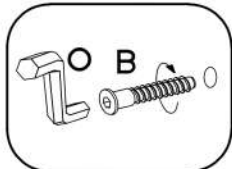
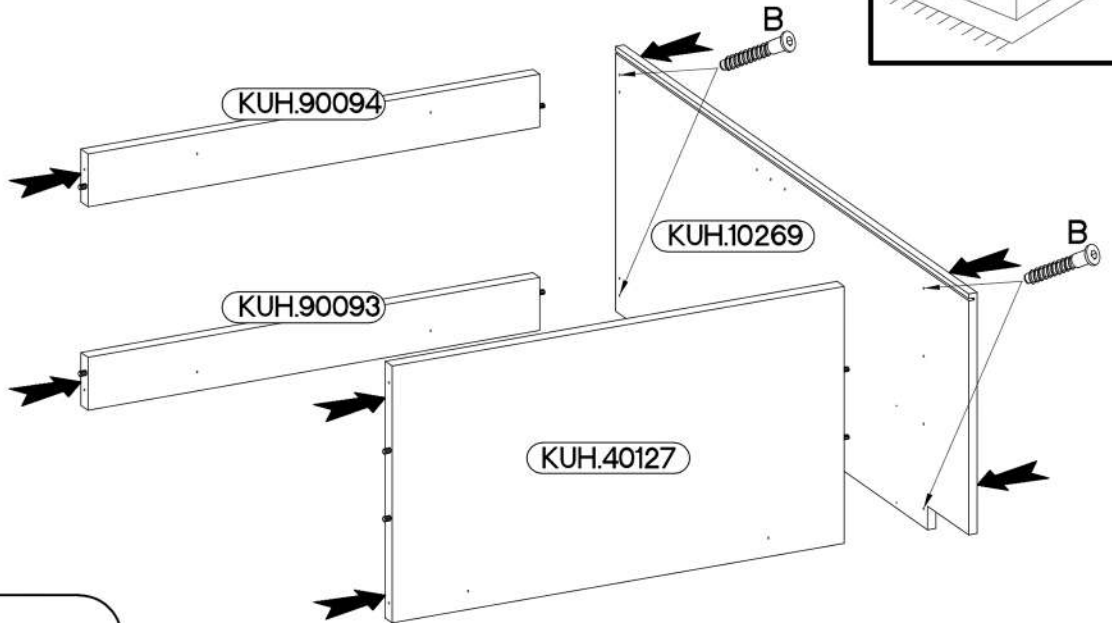
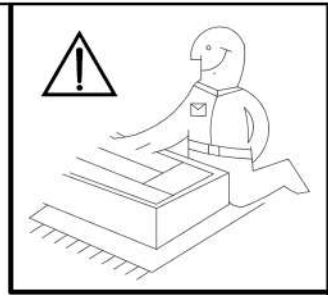
O

1

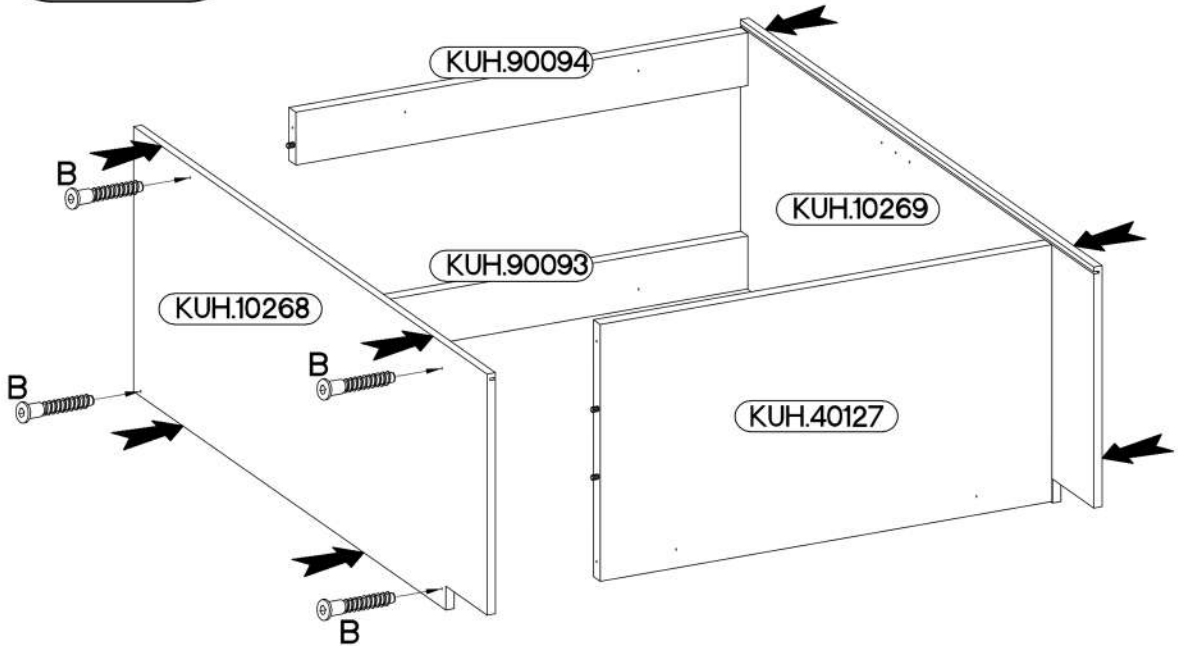


E1

4



3



6,4 x 50mm



B

4



O

1



E1

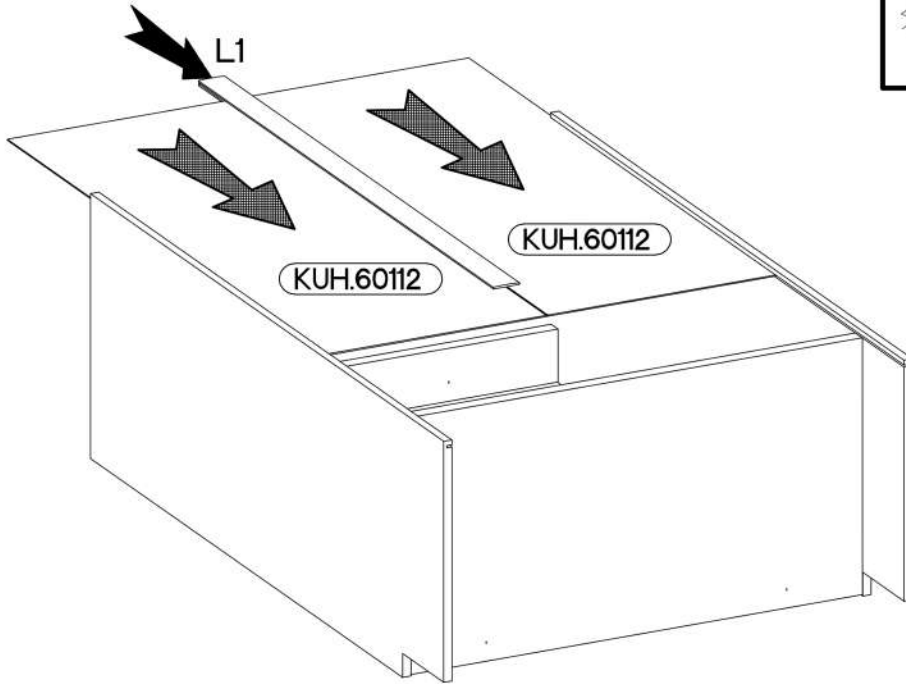
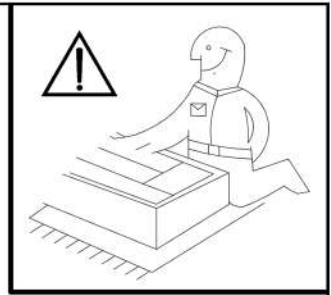
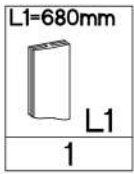
4

4

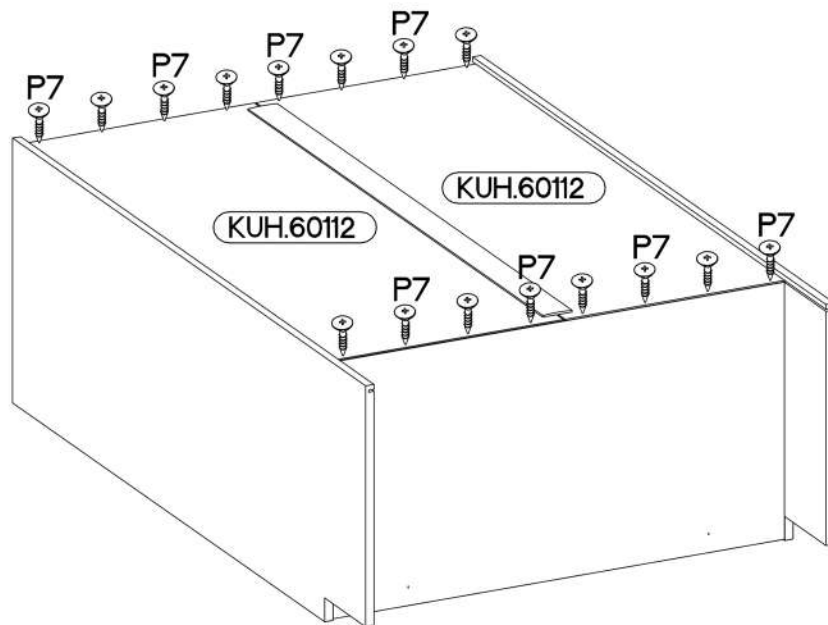
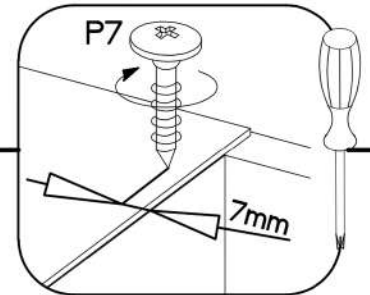
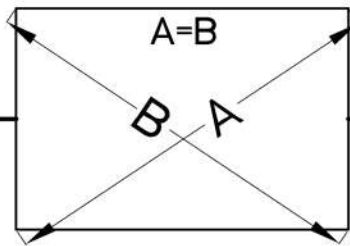
1

4



4

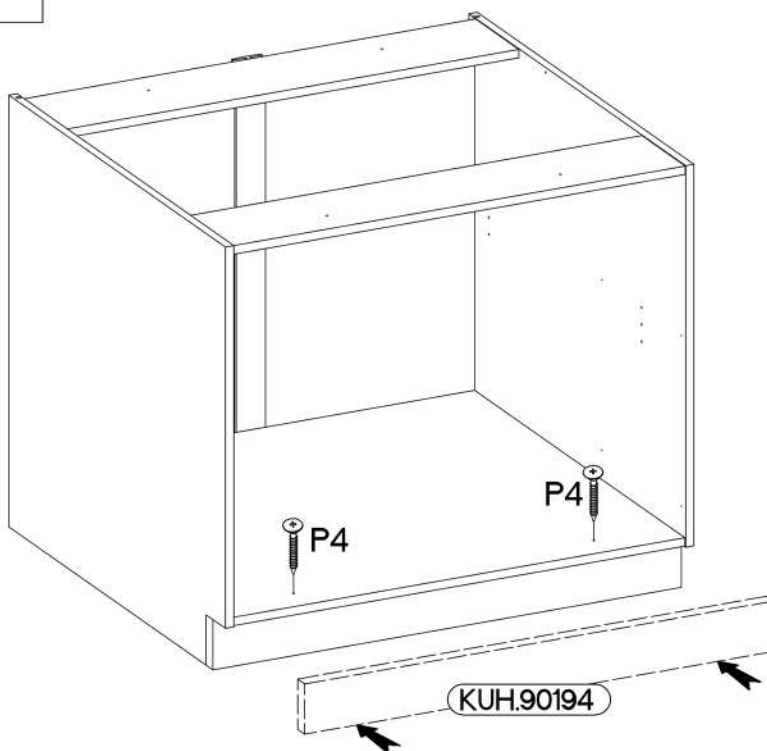
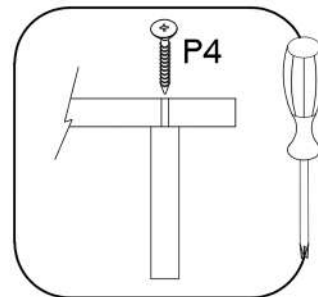


5







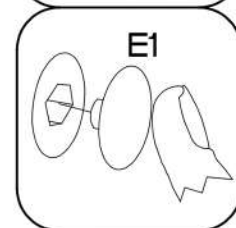
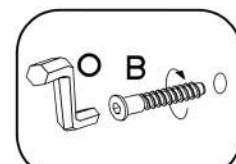
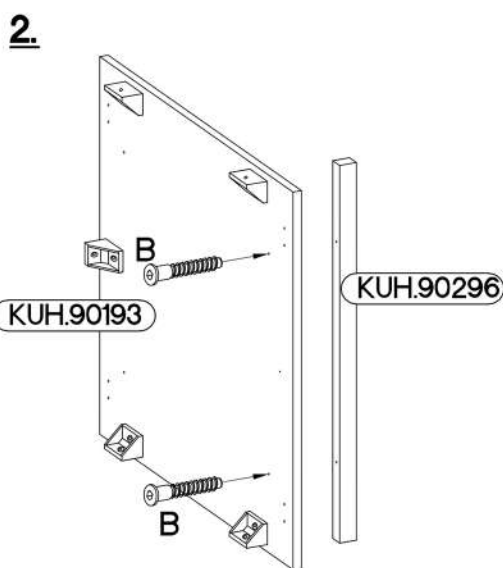
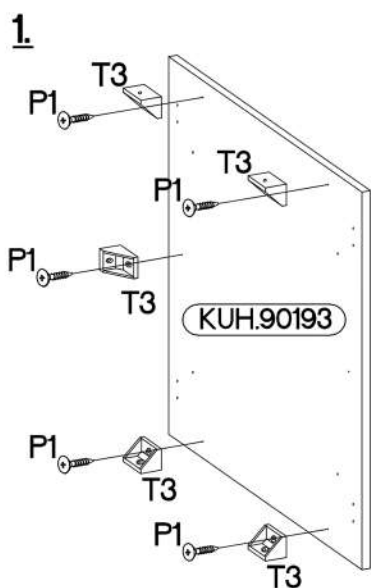
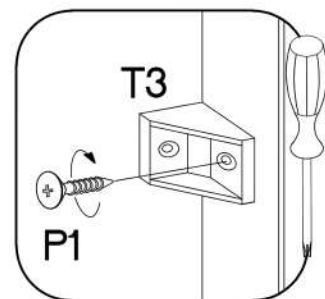
6

+4.0x45mm	
	
P4	E9
2	2



7

+4.0x16mm		+6.4x35mm	
			
T3	P1	B1	O
5	5	2	1



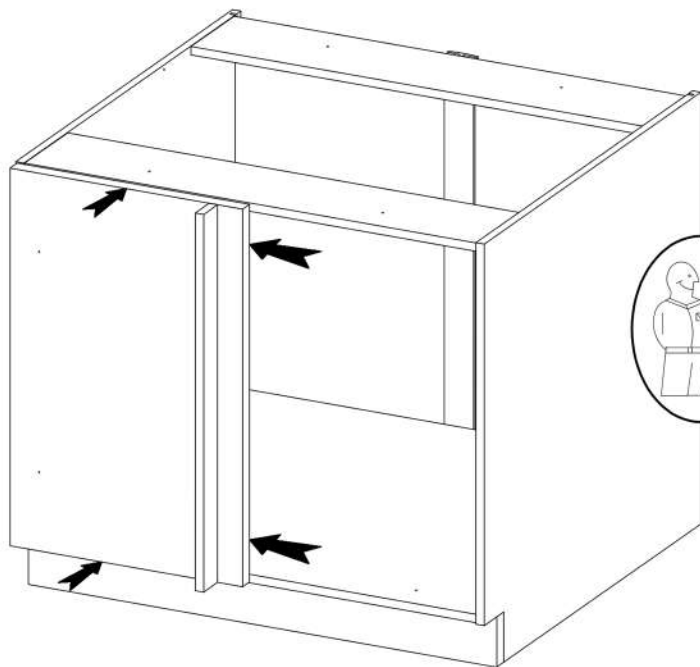
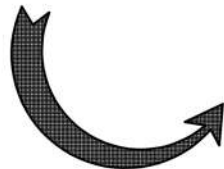
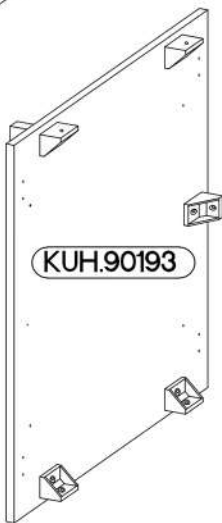
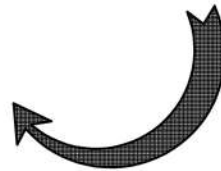
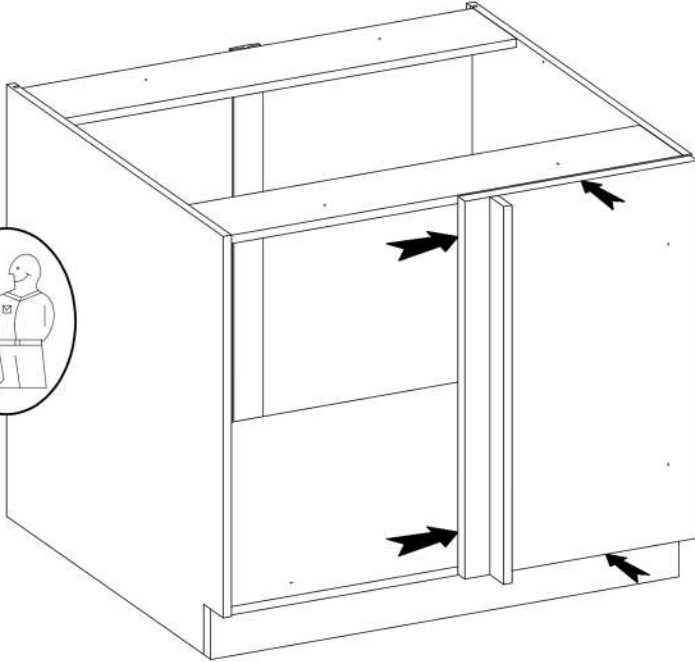
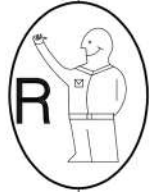
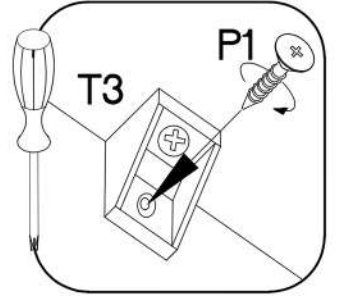
8

+4.0x16mm

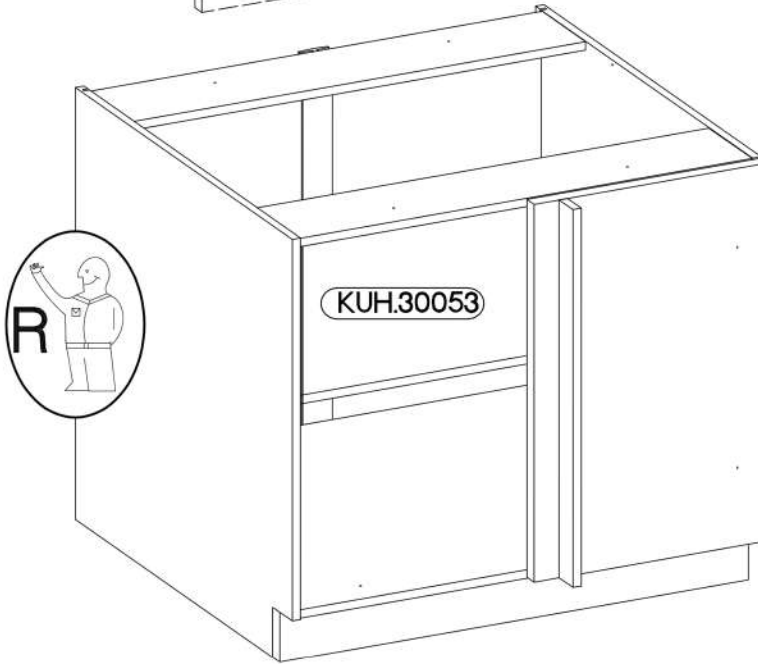
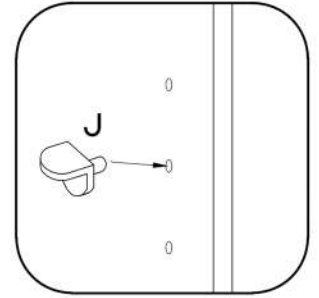
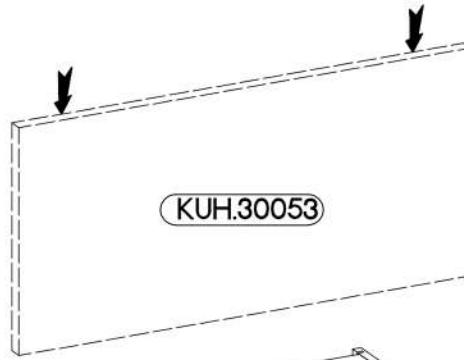
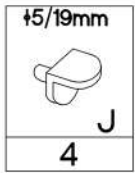


P1

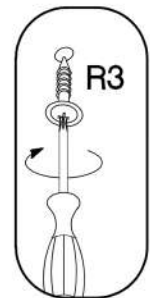
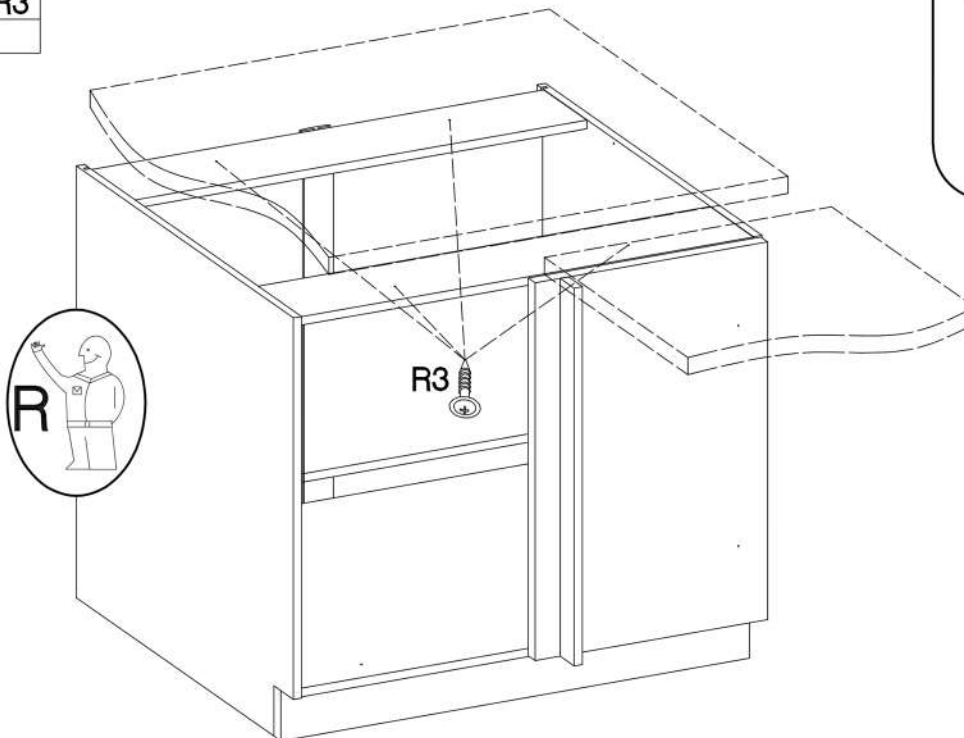
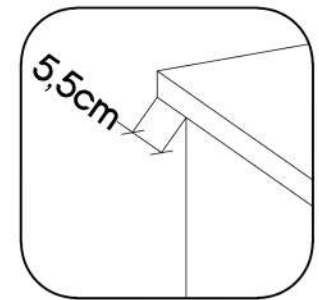
5





9

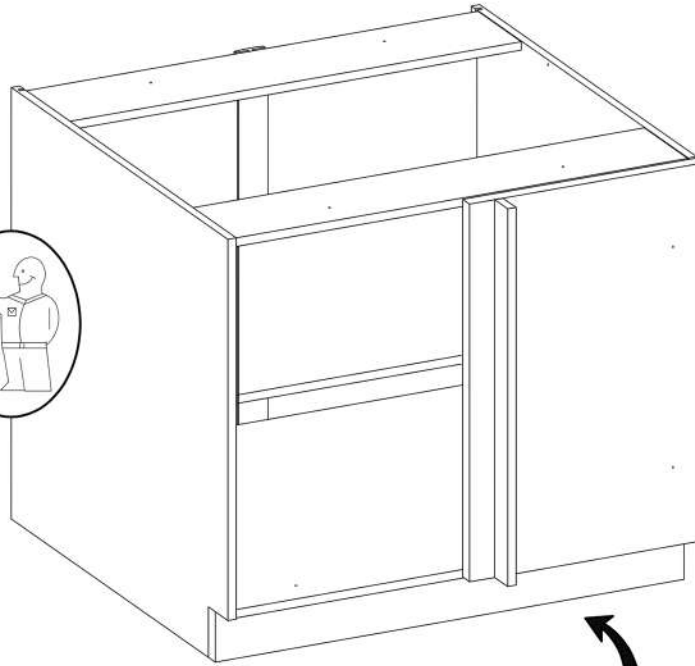
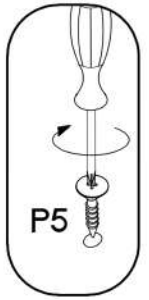


10

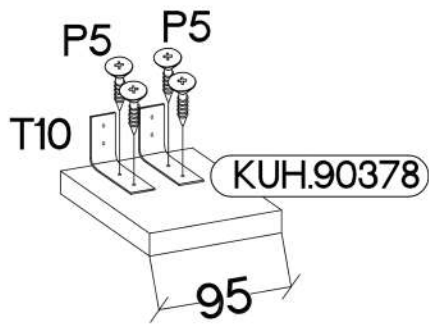


11

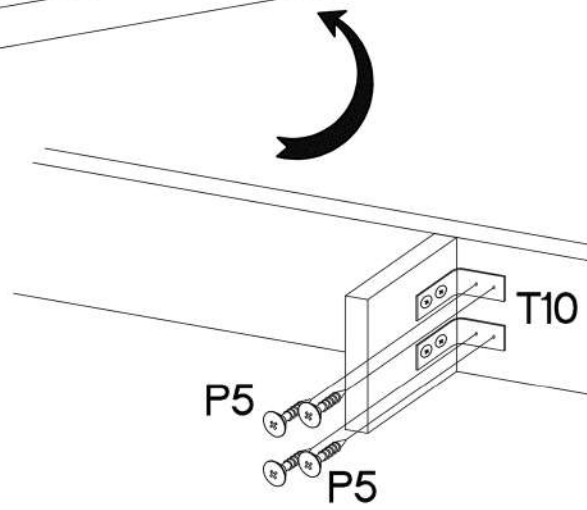
 T10 2	 3.5x13mm P5 8
---	--



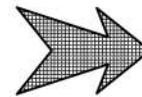
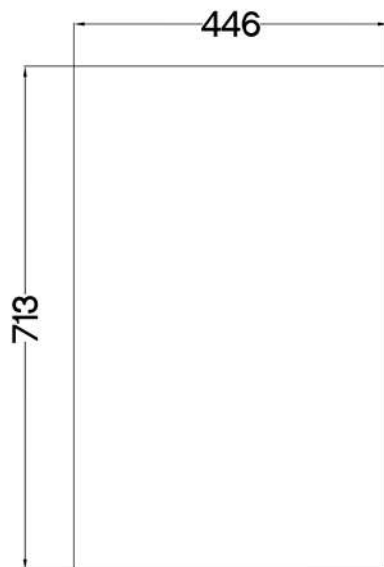
1.

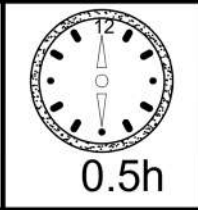
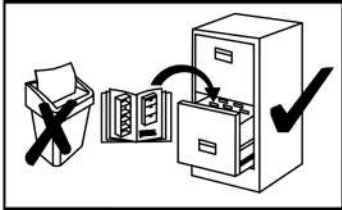
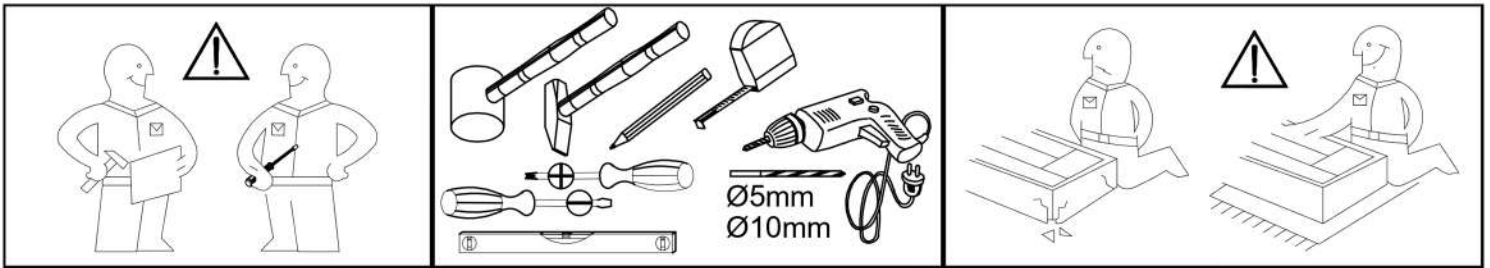


2.

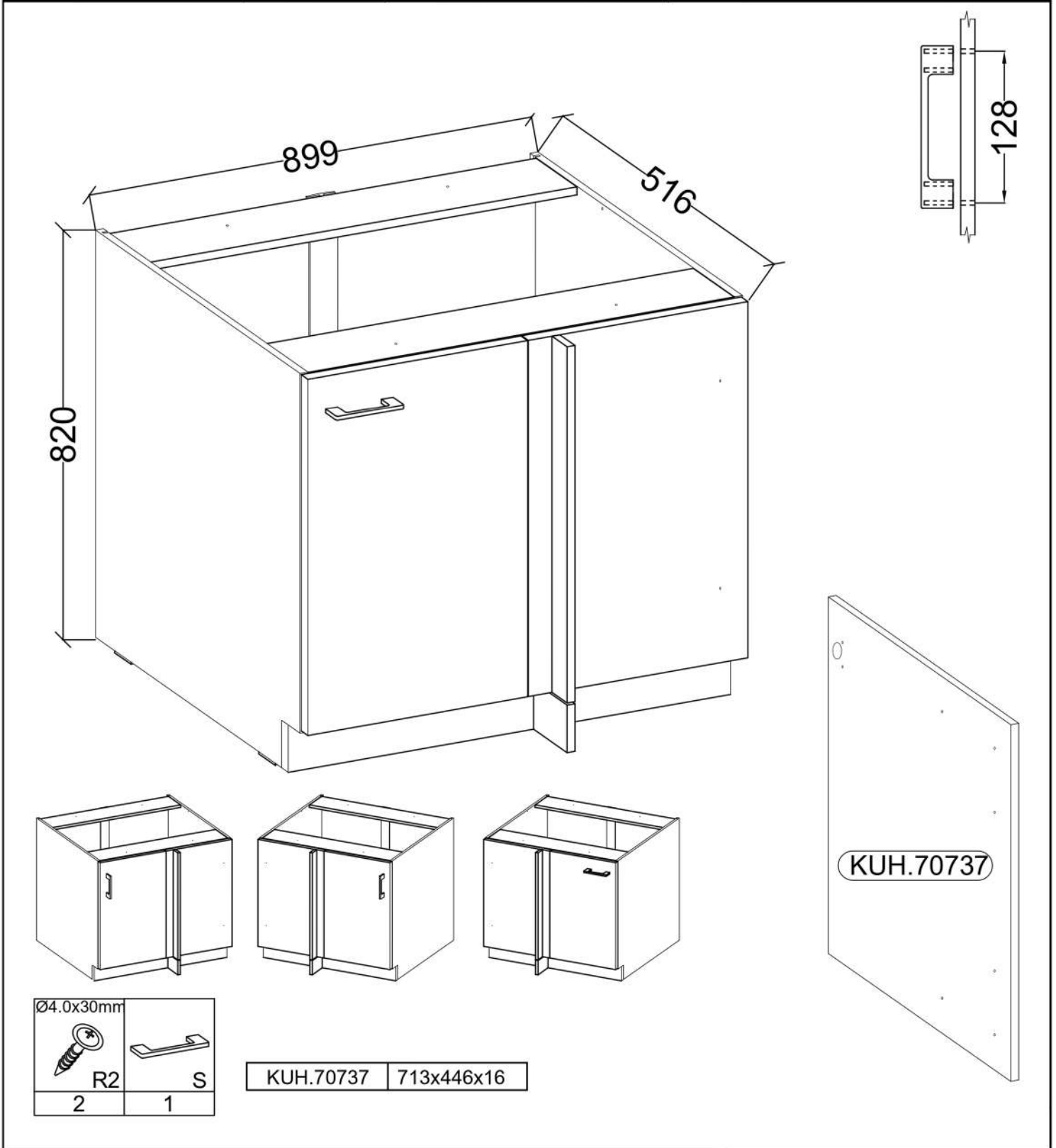
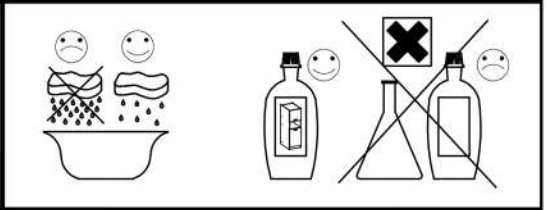


12

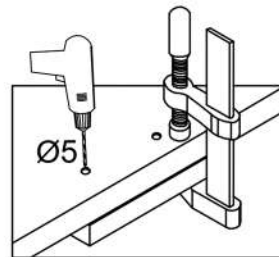
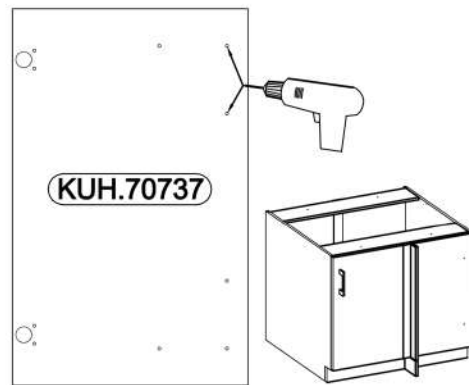
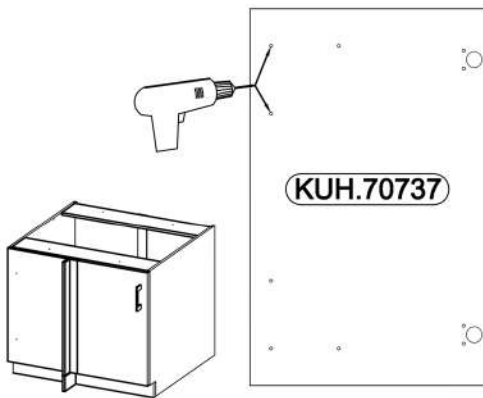
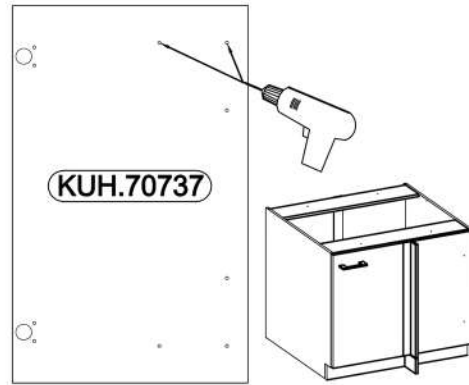
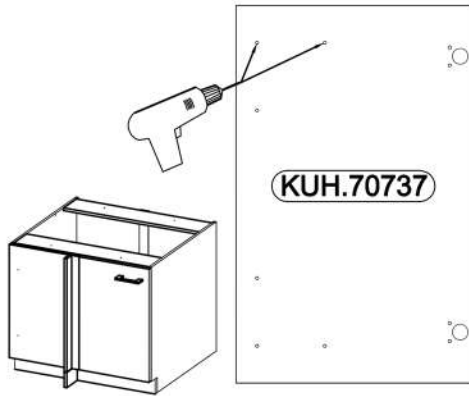
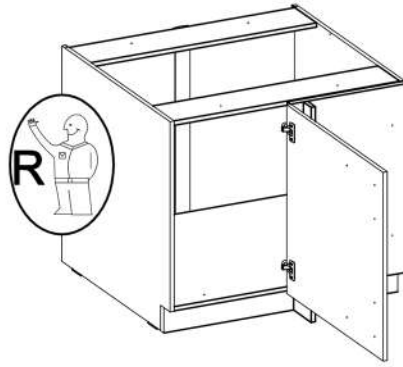
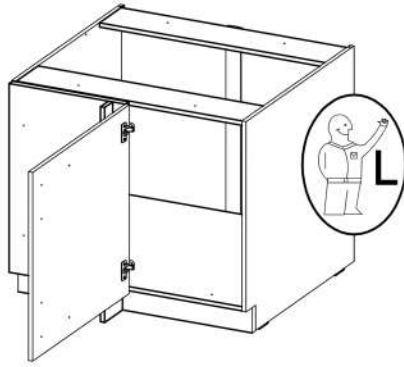






105 ND 1F BB

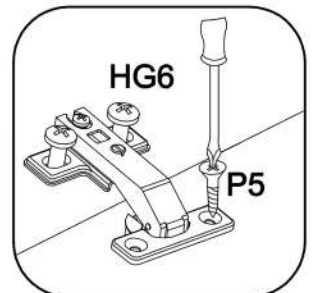


1





2

 Ø35/90° Ø3.5x13mm [CD] HG6	 P5
2	4



3

Ø4.0x30mm	
	
R2	S
2	1

