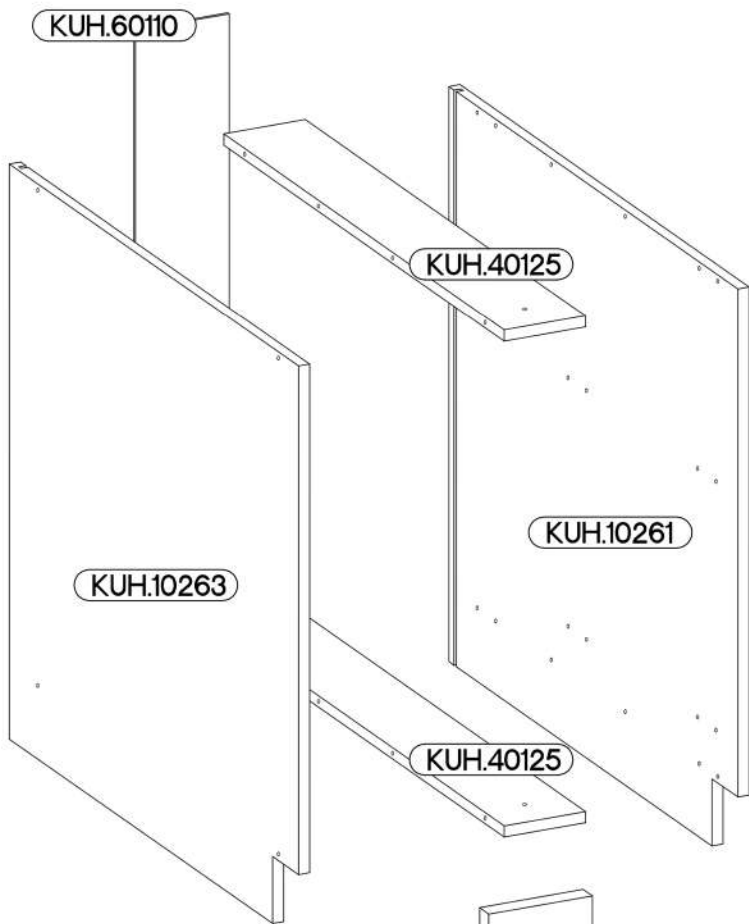
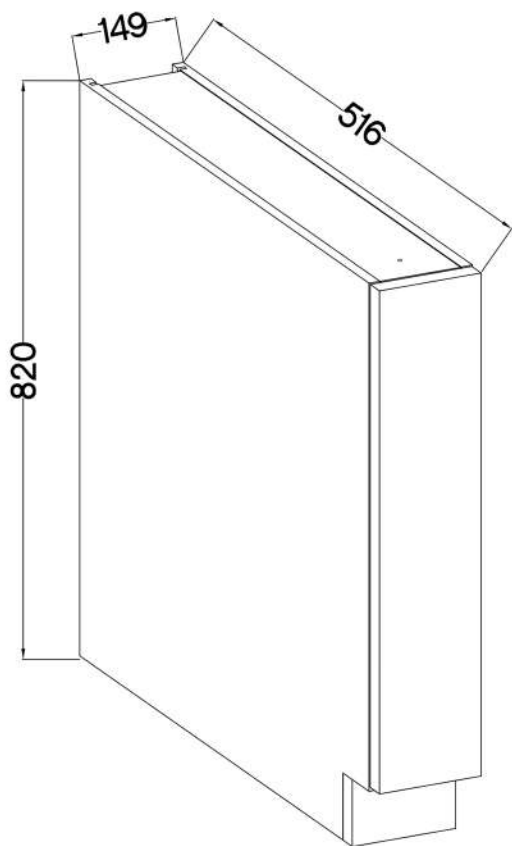
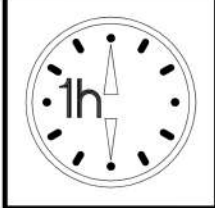
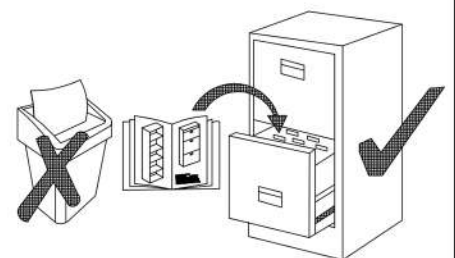


FRISBO 15 D CARGO BB



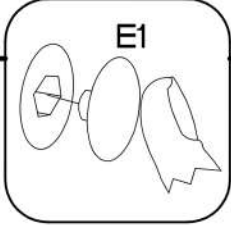
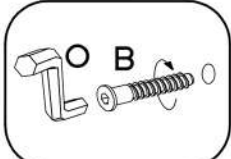
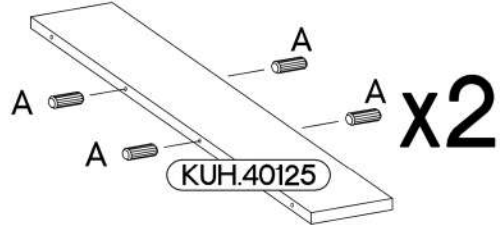
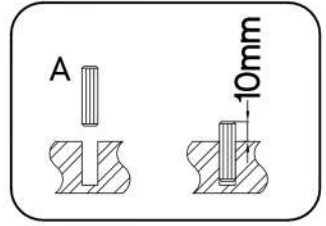
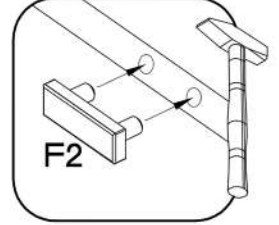
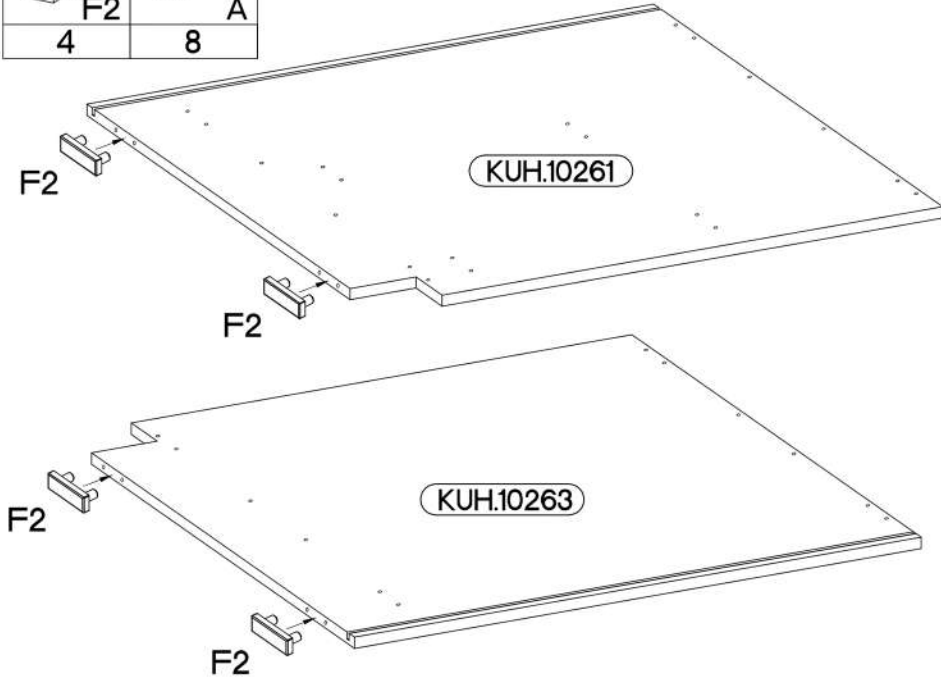
KUH.10261	815x500x16
KUH.10263	815x500x16
KUH.40125 x2	117x485x16
KUH.60110	713x135x2,5
KUH.90164	149x95x16

A	B					
8	8					
E1	E9	F2	O	P4	P7	R3
8	1	4	1	1	4	1

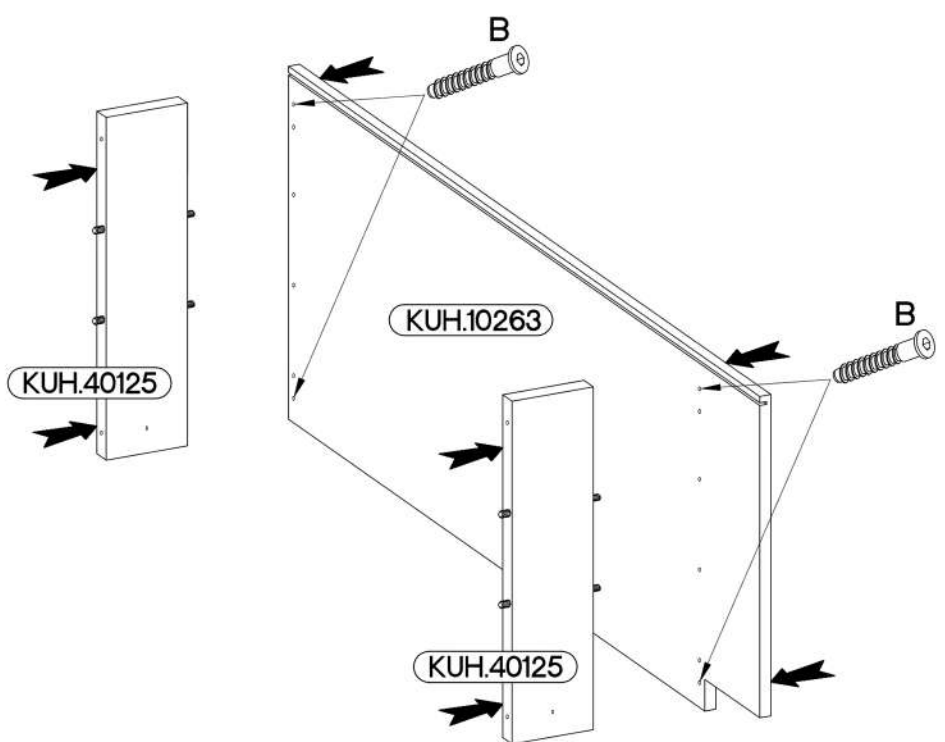


1

6.5x48x16 F2 4	+8x30mm A 8
----------------------	-------------------



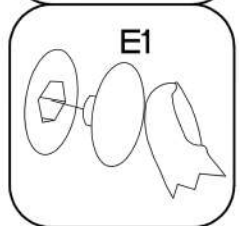
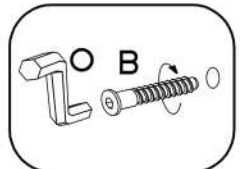
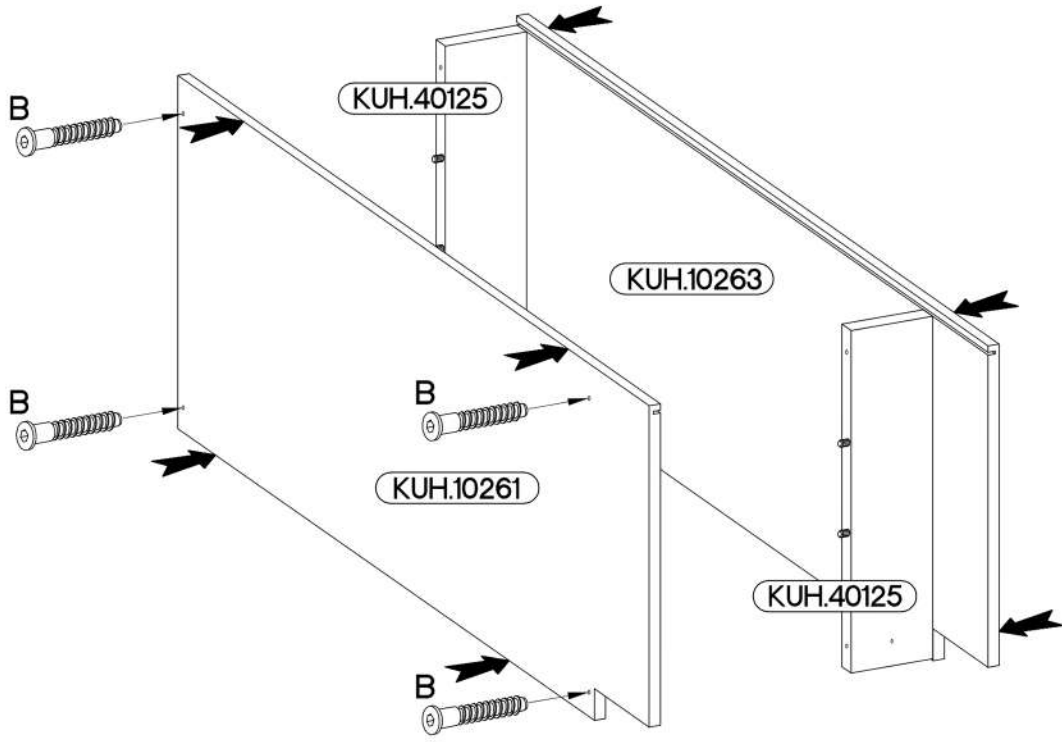
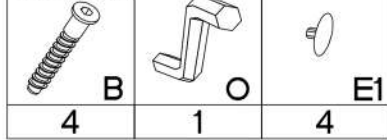
2



6,4 x 50mm B 4	O 1	E1 4
----------------------	--------	---------

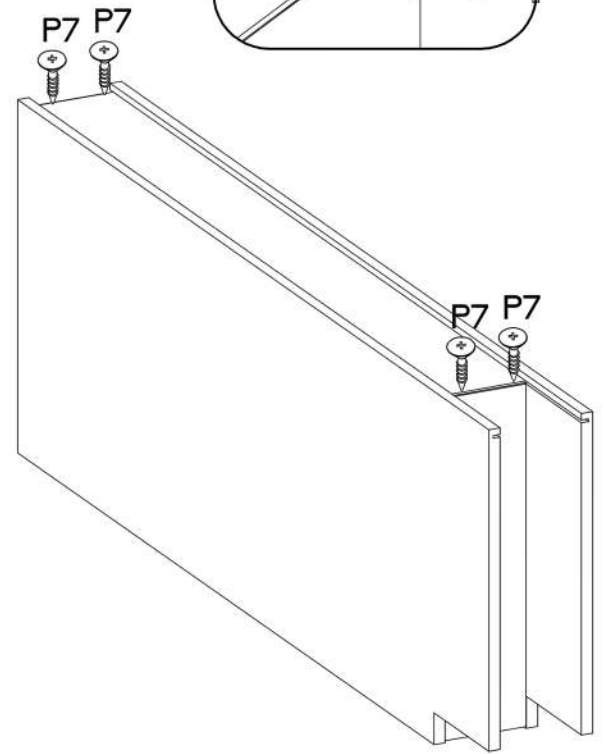
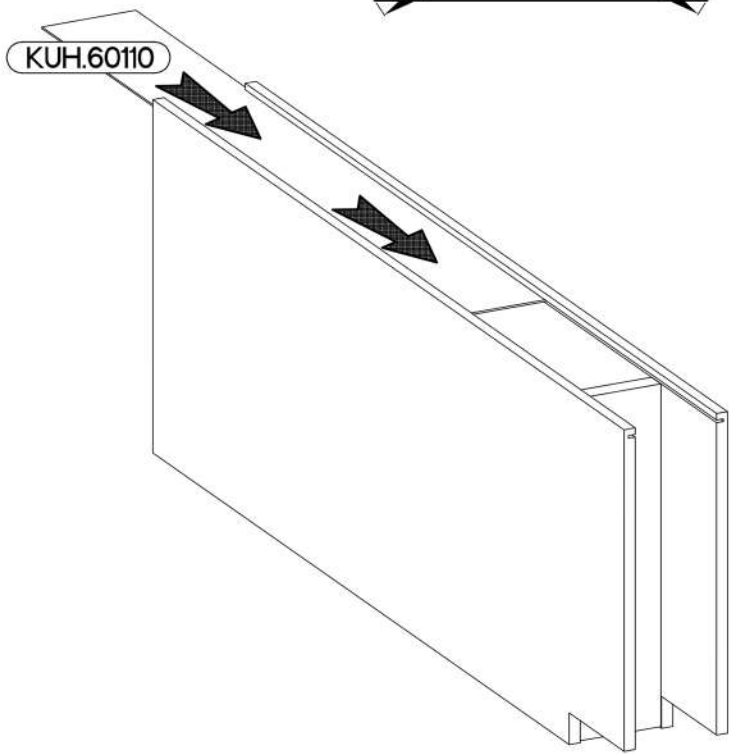
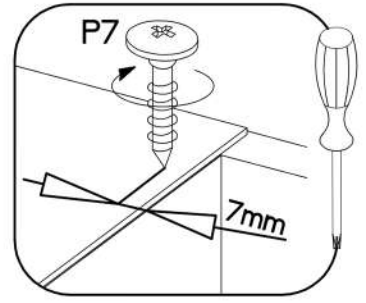
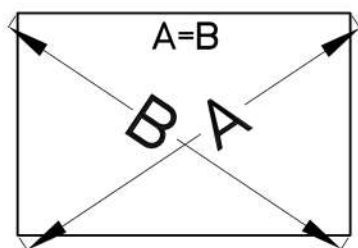
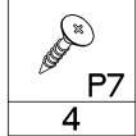
3

6,4 x 50mm






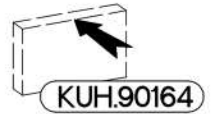
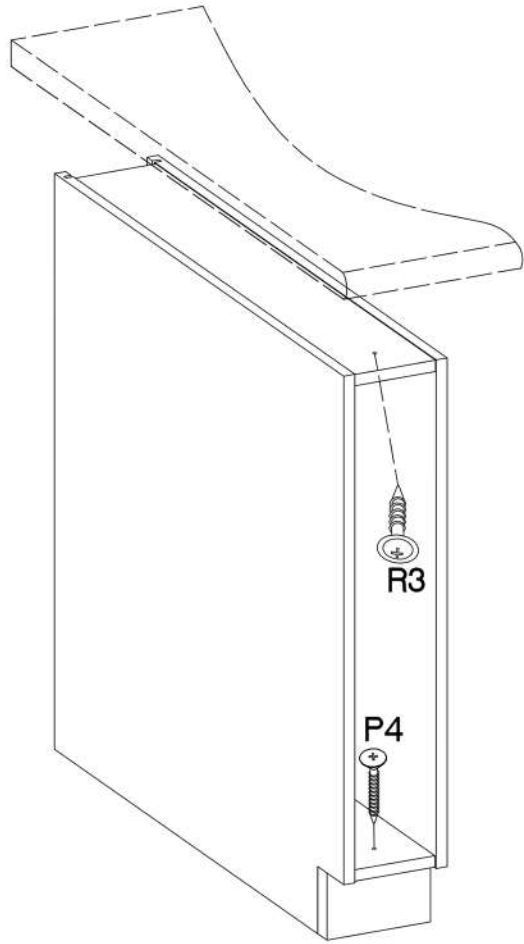
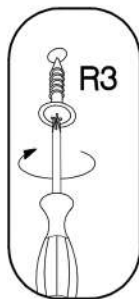
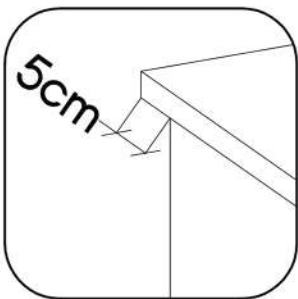
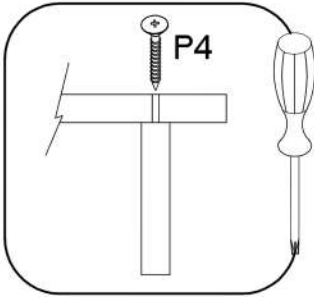
4

±3.0x20mm

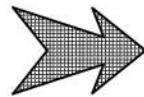
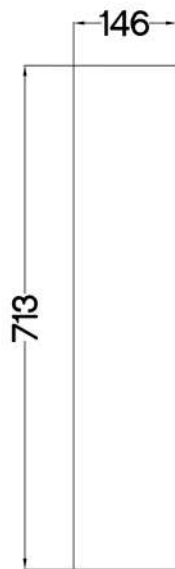


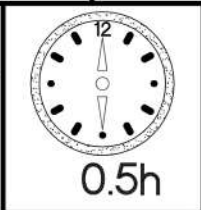
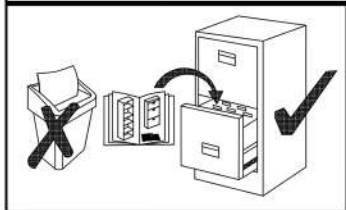
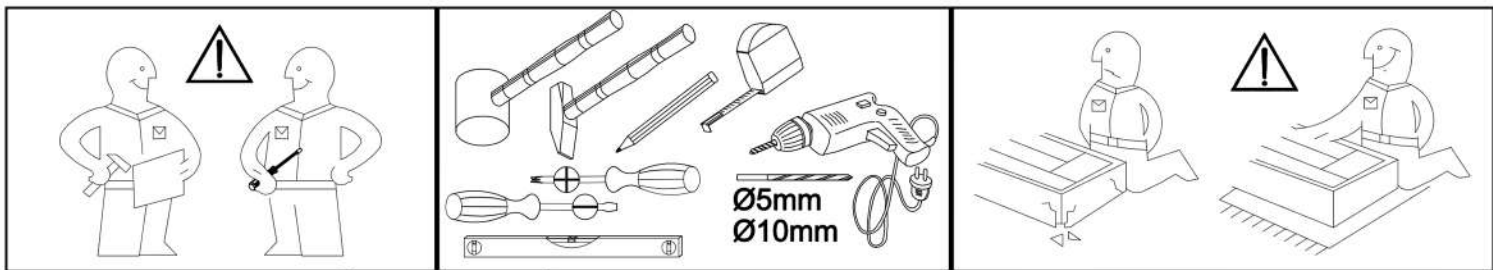
5

 +4.0x45mm P4 1	 E9 1	 +4.0x35mm R3 1
---	--	---

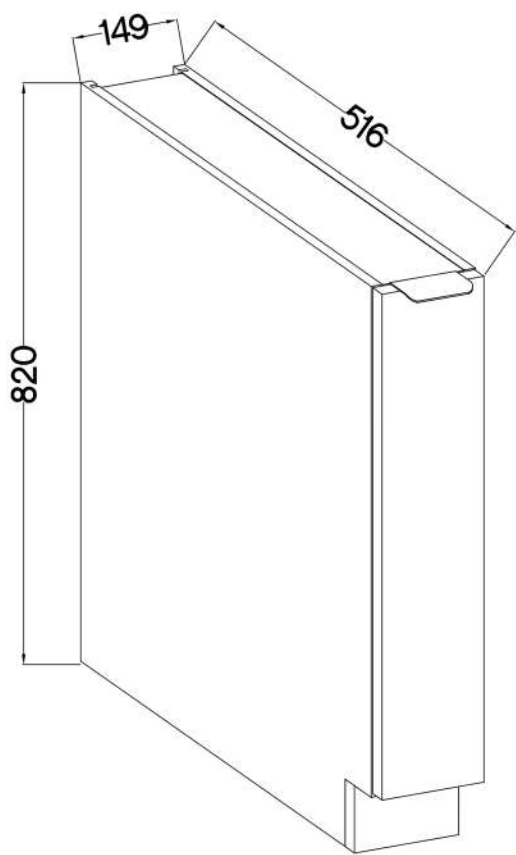
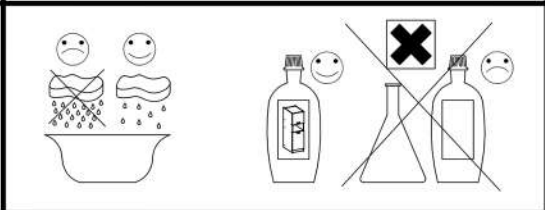





6






15 D CARGO BB

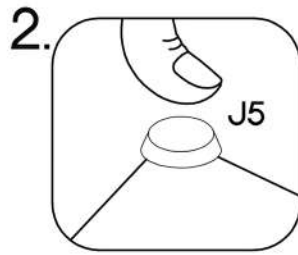
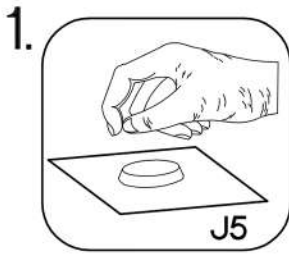
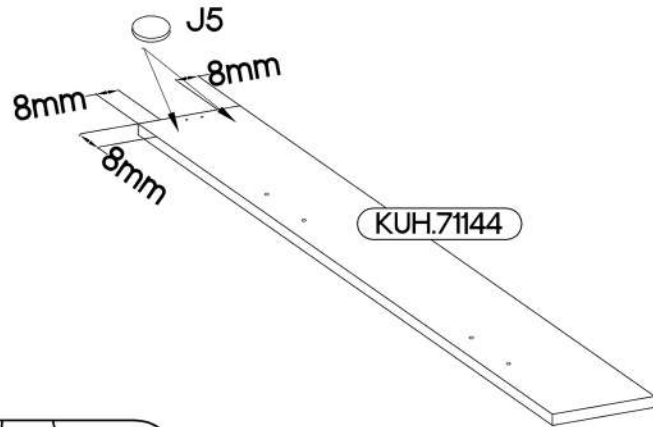


L=64mm	±7/2mm
	
 S	J5
1	2



KUH.71144	713x146x16
-----------	------------

1

+7/2mm

J5
2



2

L=64mm

 S
1

