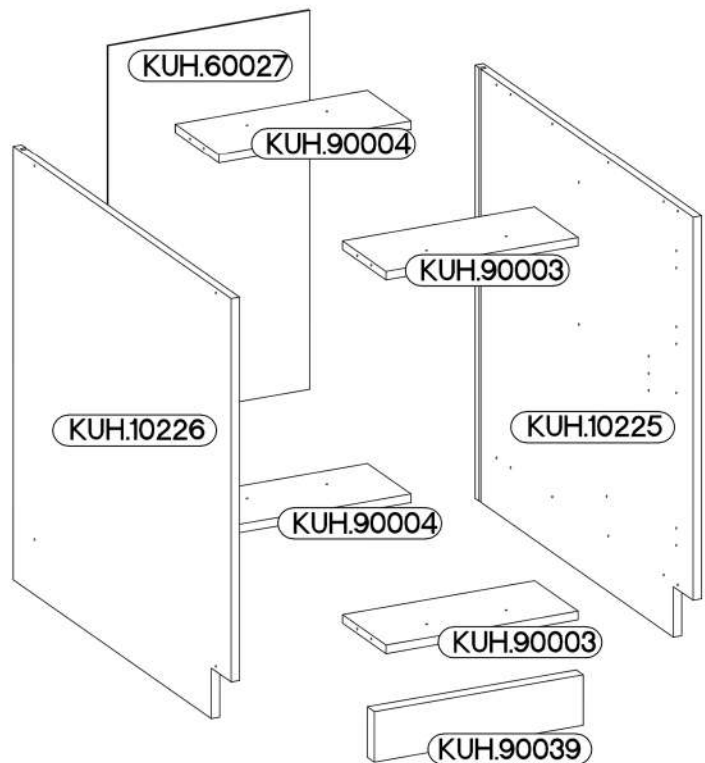
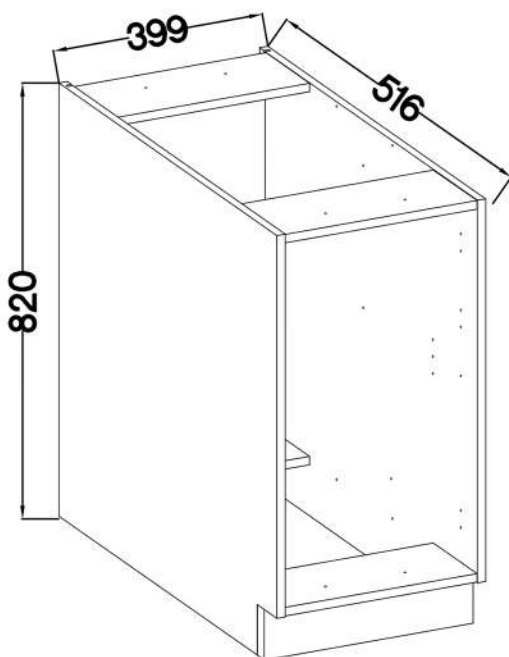
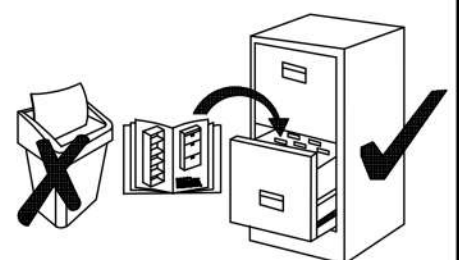


# FRISBO 40 D 3S BB





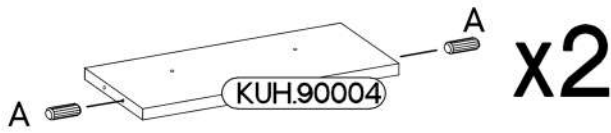
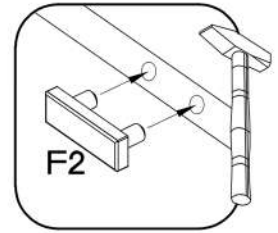
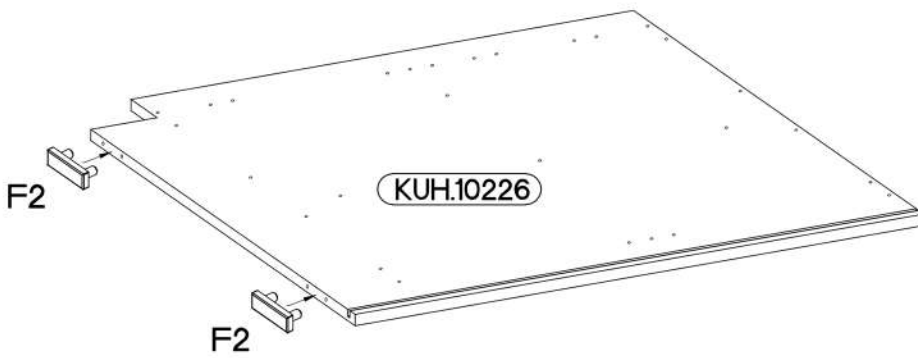
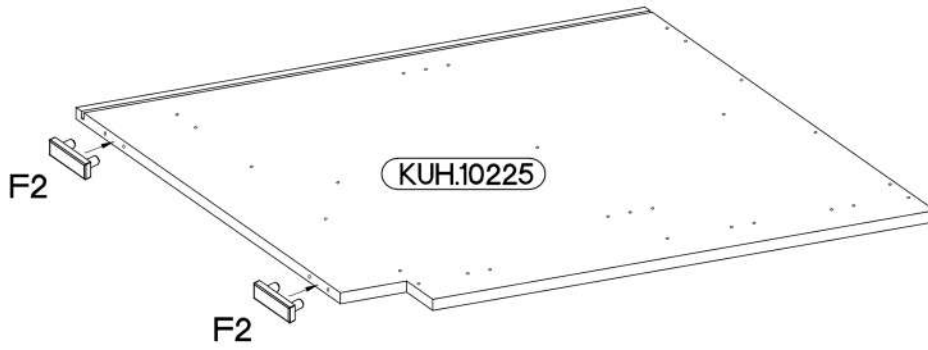
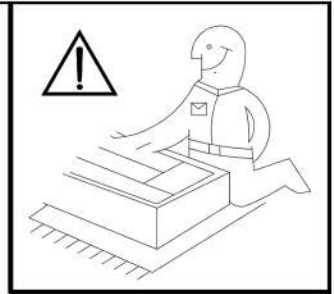
KUH.10225	815x500x16
KUH.10226	815x500x16
KUH.60027	713x385x2,5
KUH.90003 x2	367x100x16
KUH.9004 x2	367x100x16
KUH.90039	399x95x16

$\pm 8 \times 30 \text{mm}$  A	$6,4 \times 50 \text{mm}$  B	 E1	 E9
8	8	8	2
$6,5 \times 48 \times 16$  F2	 O	$\pm 4,0 \times 45 \text{mm}$  P4	$\pm 3,0 \times 20 \text{mm}$  P7
4	1	2	8-10
			$\pm 4,0 \times 35 \text{mm}$  R3
			4

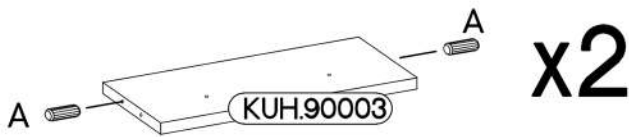


1

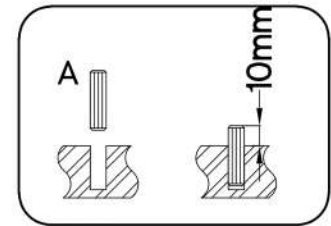
6.5x48x16	±8x30mm
 F2	 A
4	8






x2

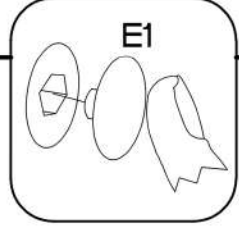
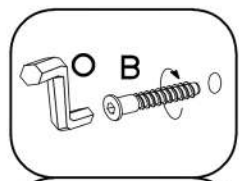
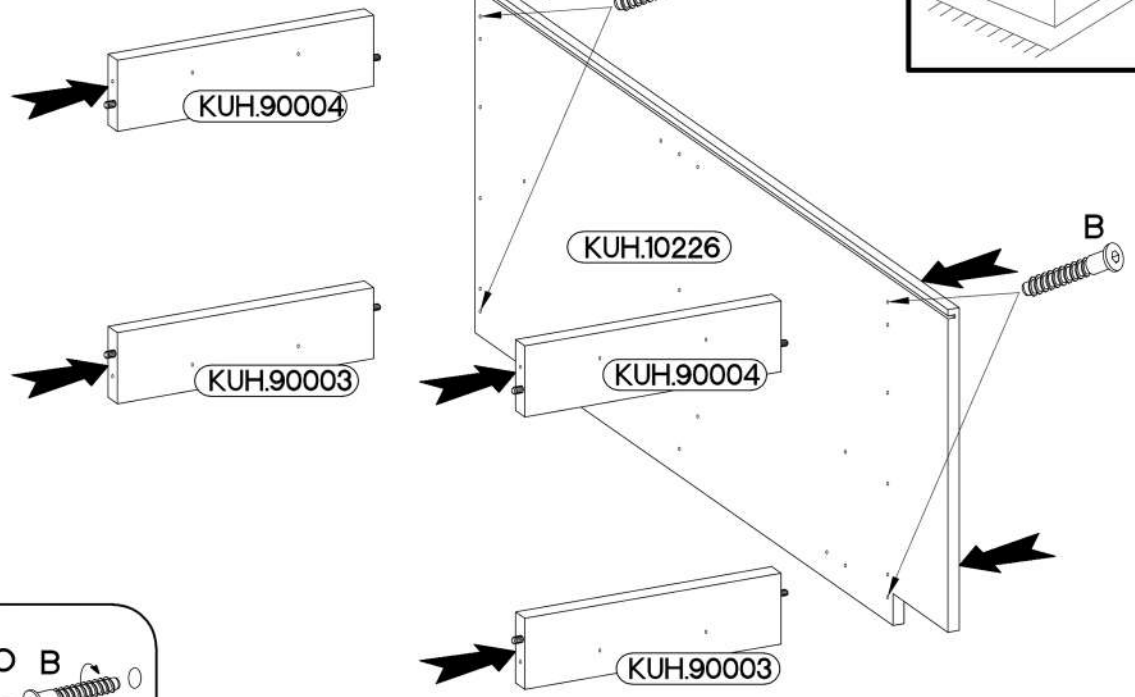
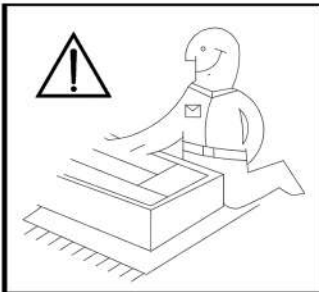


x2

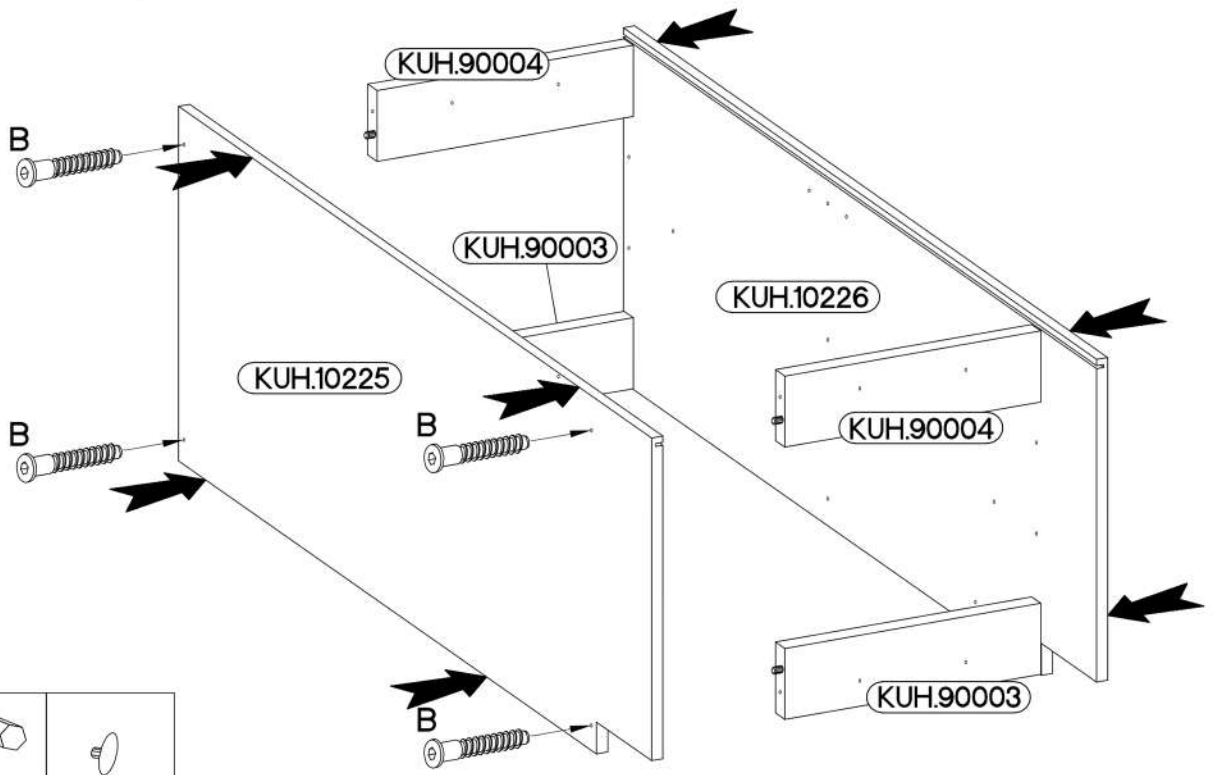





2

6,4 x 50mm		
		
B	O	E1
4	1	4





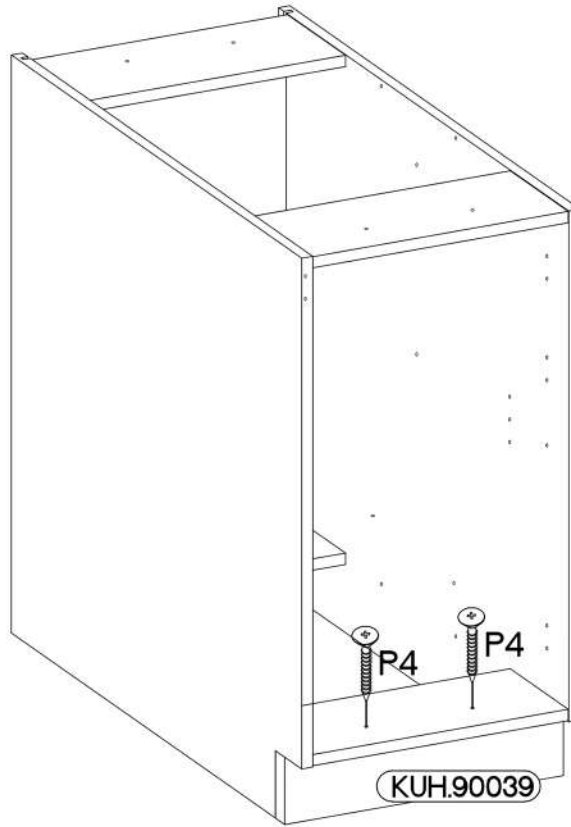
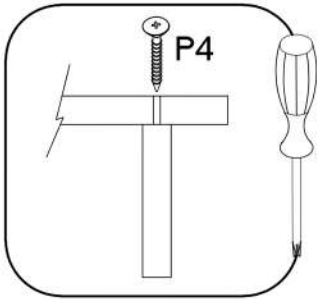
3



6,4 x 50mm		
		
B	O	E1
4	1	4

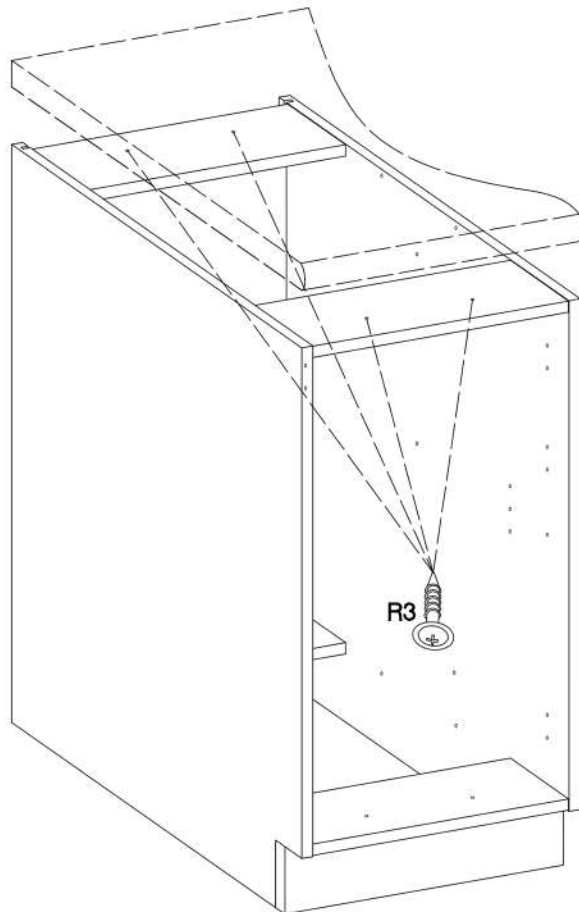
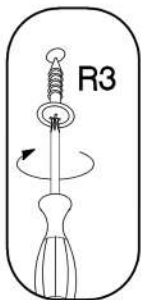
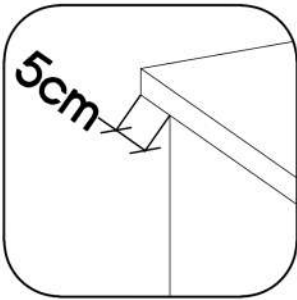
6

4.0x45mm	
	
P4	E9
2	2

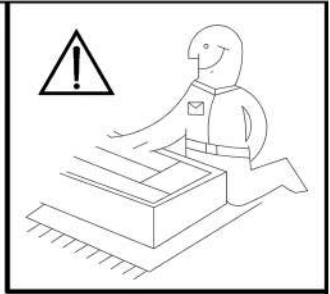
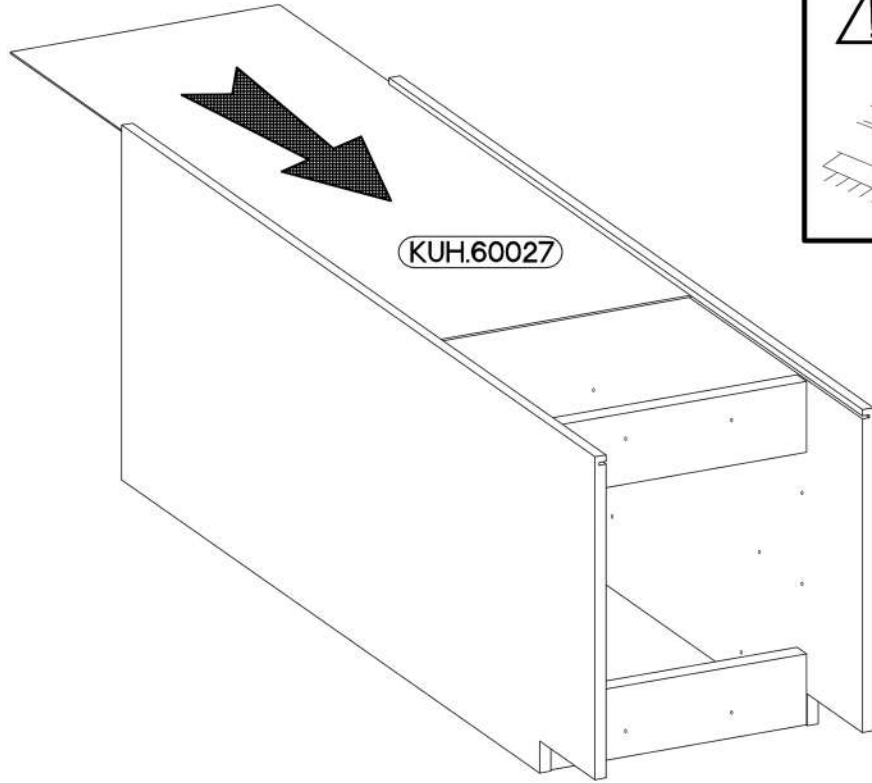


7

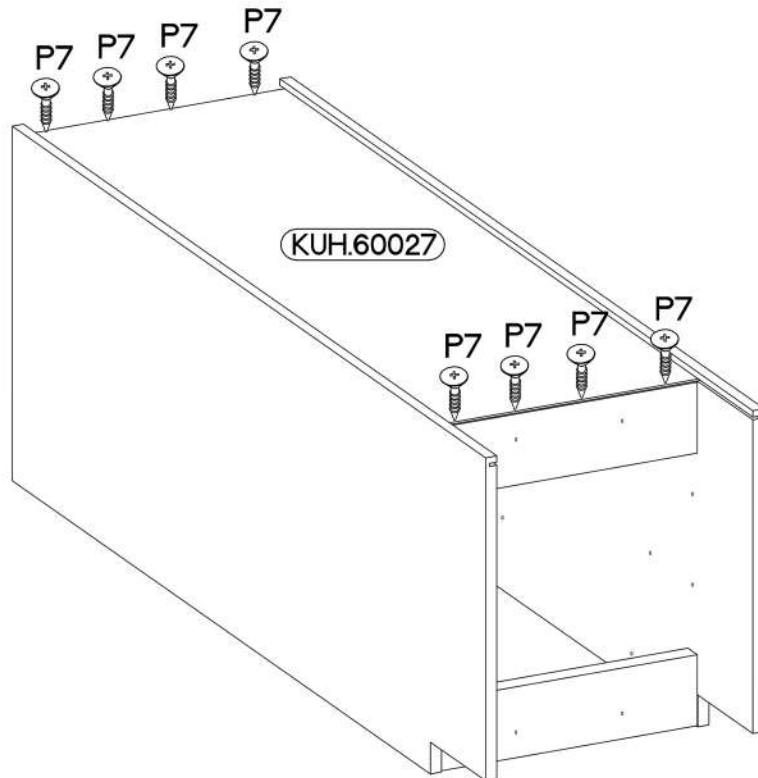
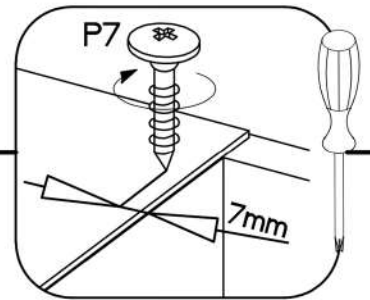
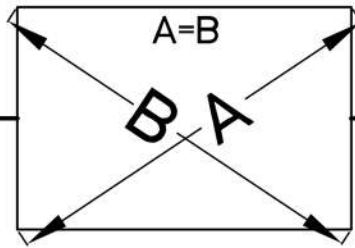
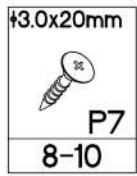
4.0x35mm	
	R3
4	

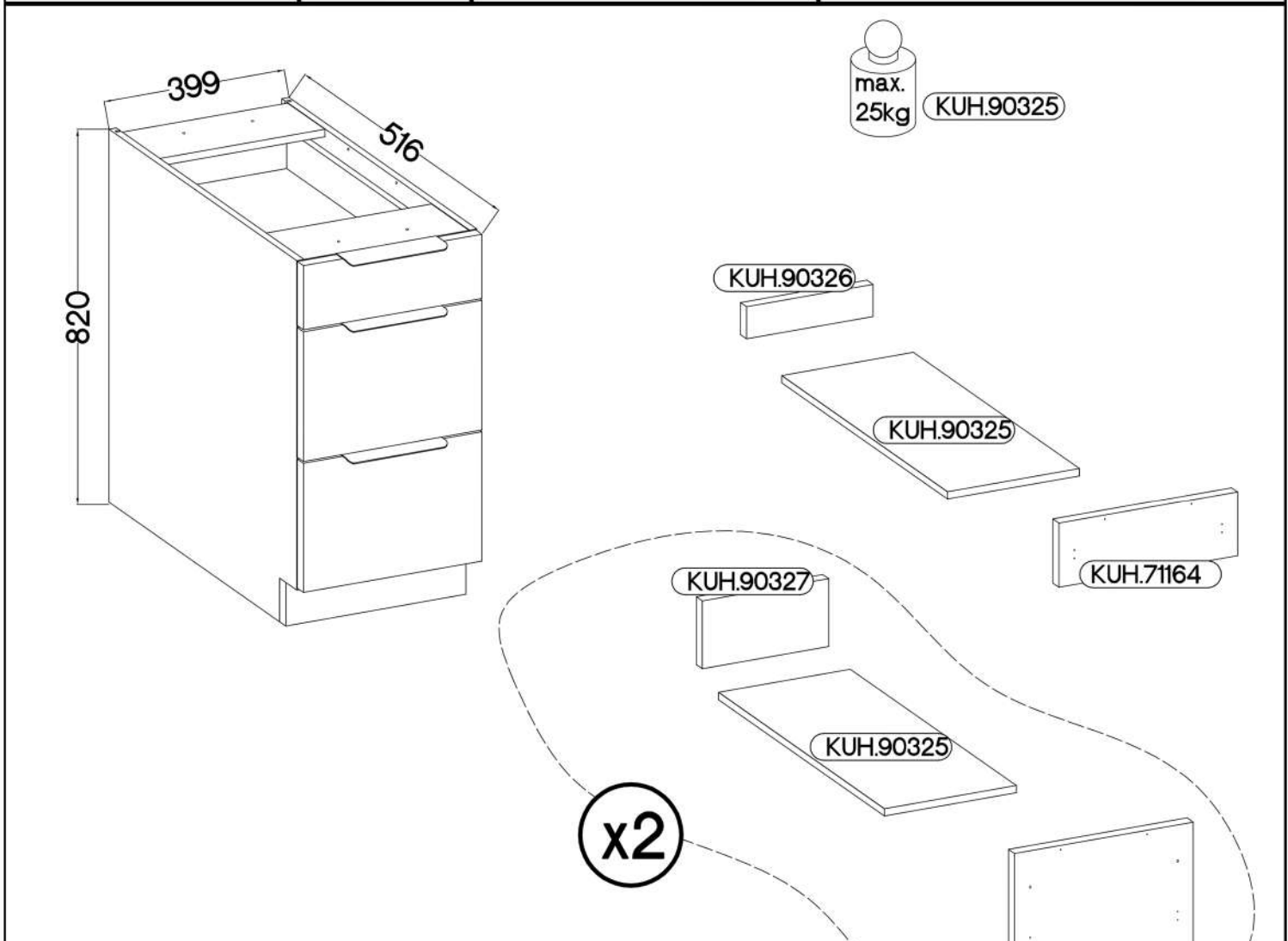
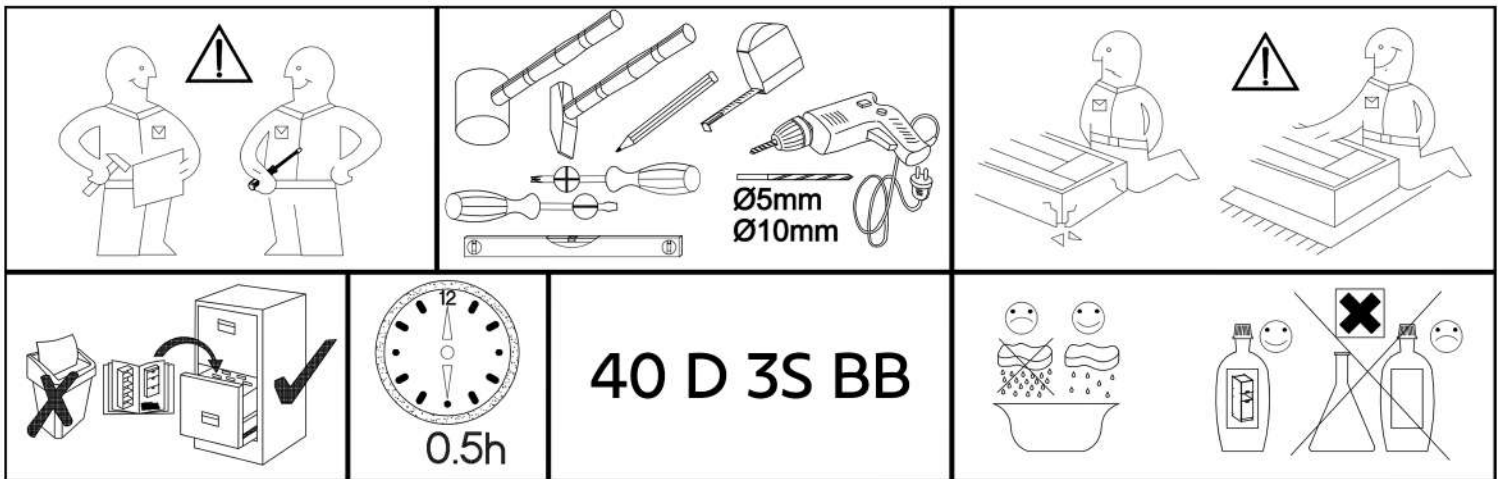


4



5



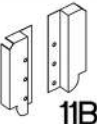



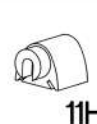
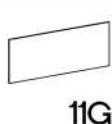


L=192mm  S 3	±7/2mm  J5 6
-----------------------	-----------------------

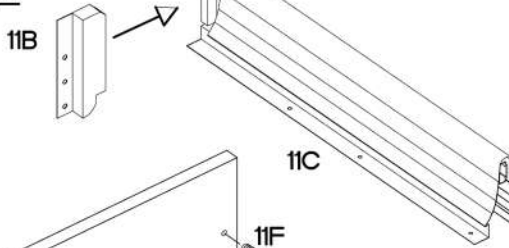
 11A 3	 11B 2	 11C 3	 11D 1	 11E 6		
 11F 4	 11G 6	 11H 4	 M3 12	 P1 12	 P5 24	 P11 12

KUH.71164	140x396x16
KUH.71165 x2	283x396x16
KUH.90325 x3	442x292x16
KUH.90326	280x70x16
KUH.90327 x2	280x148x16

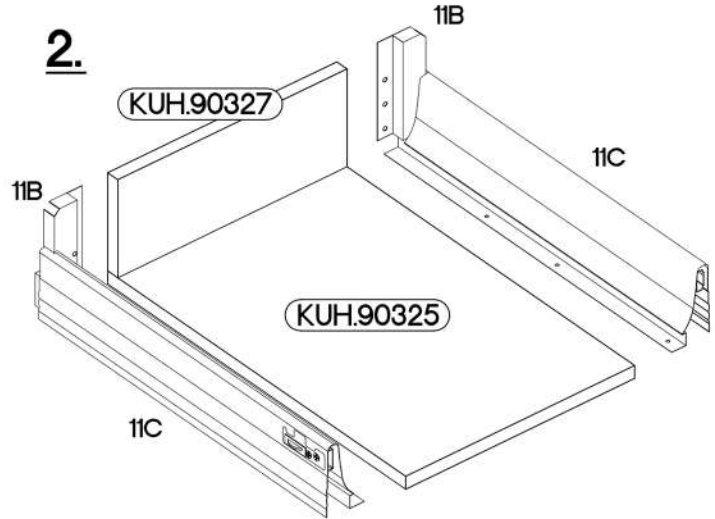
# 1

 11B	 11C	 11E	 11F	 11H	$\pm 3.0 \times 16\text{mm}$ P11	$\pm 3.5 \times 13\text{mm}$ P5	 11G	$\pm 7/2\text{mm}$ J5
2	2	4	4	4	8	16	4	4

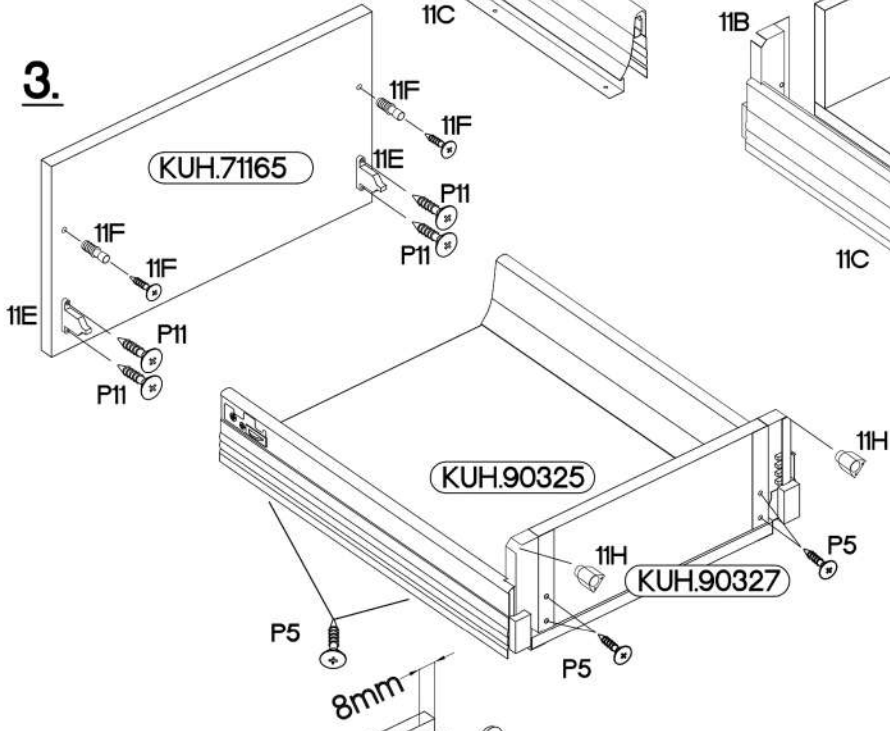
**1.**



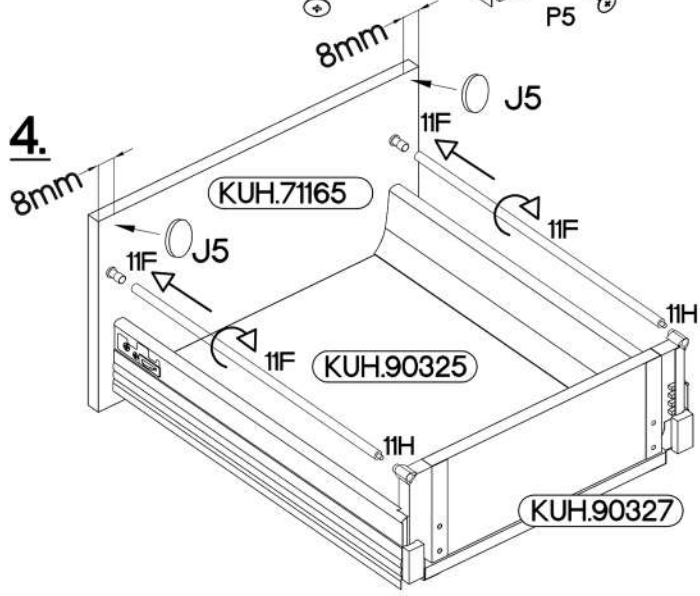
**2.**



**3.**

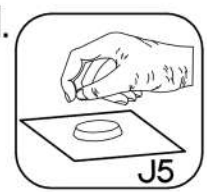


**4.**

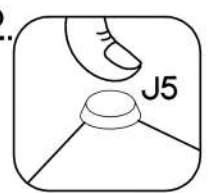


**x2**

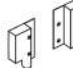
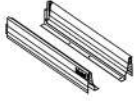





**1.**

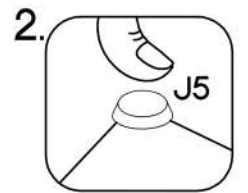
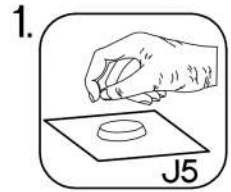
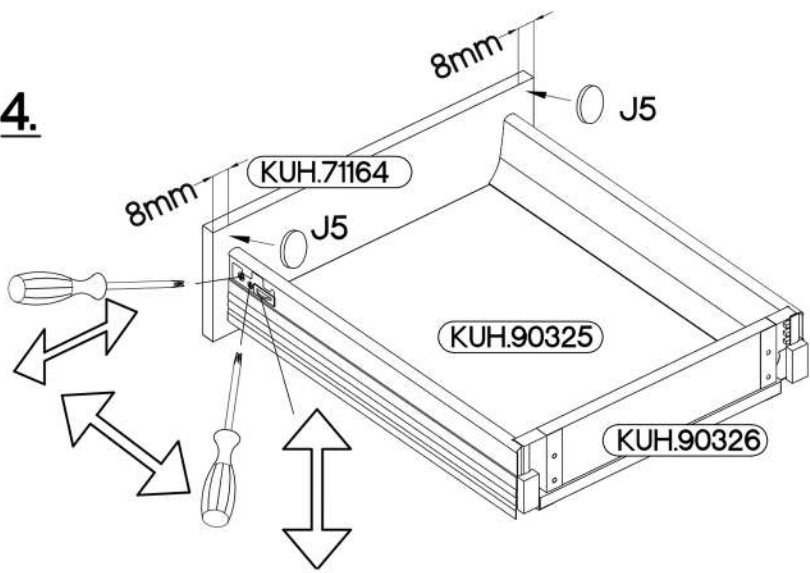
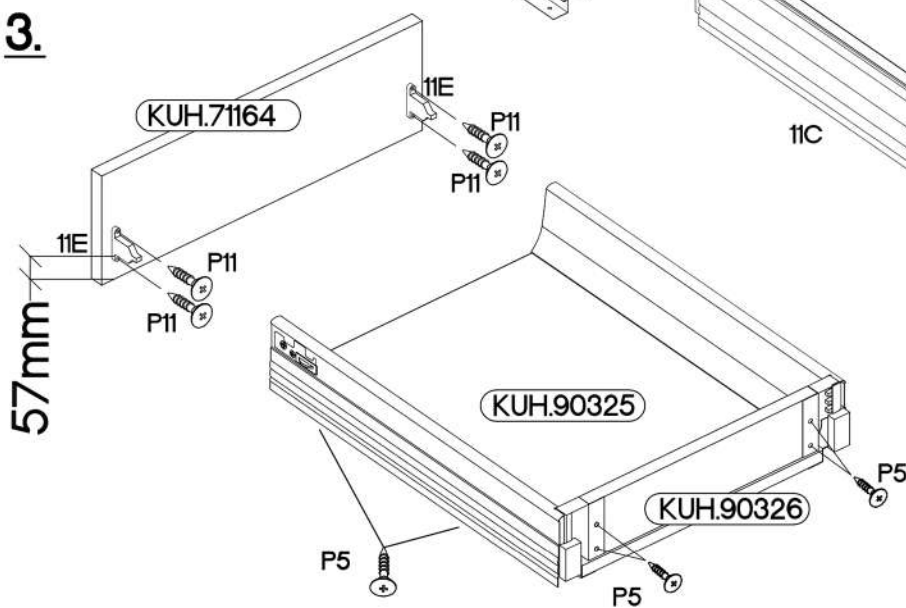
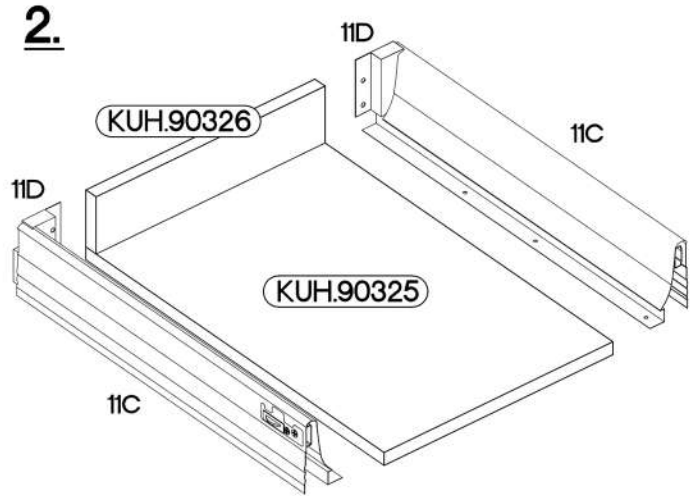
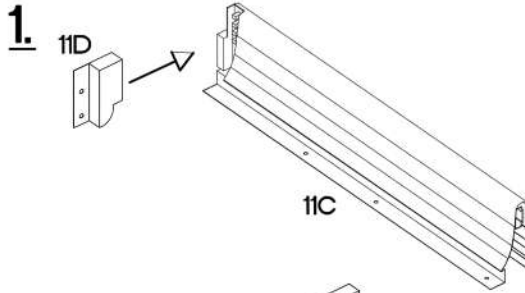


**2.**






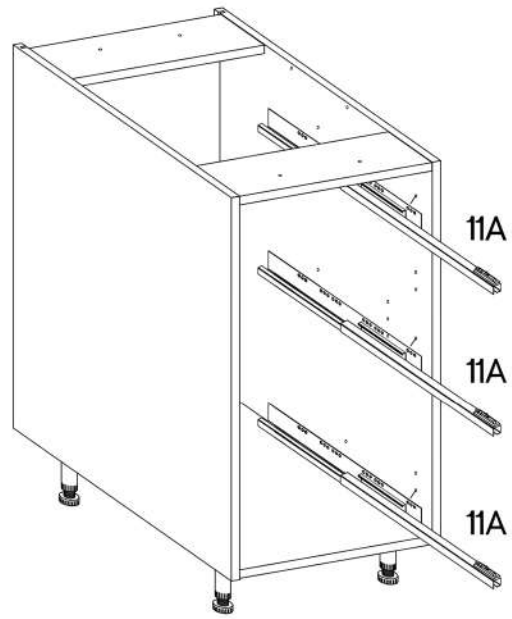
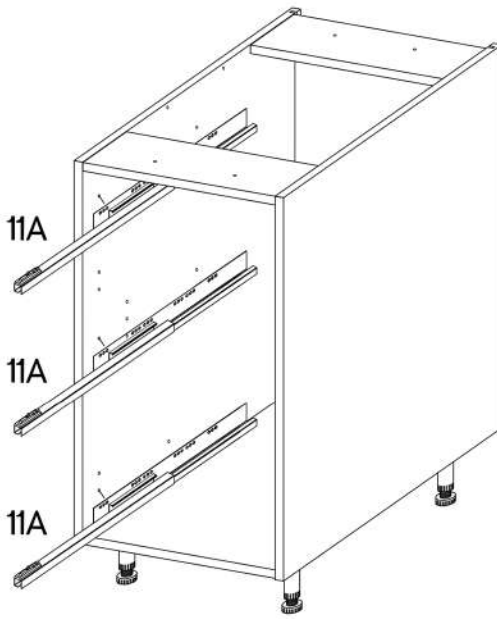
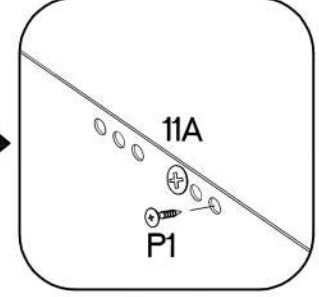
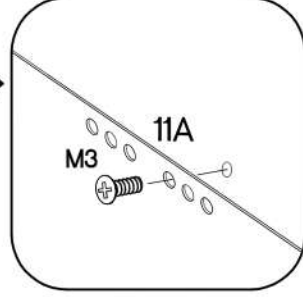
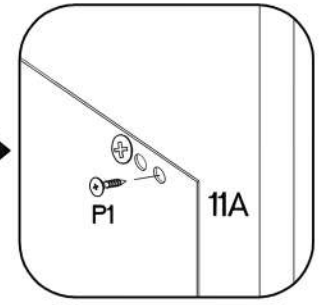
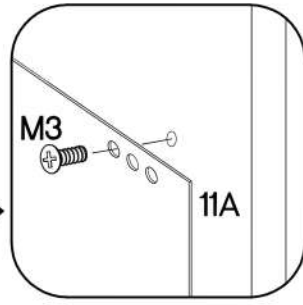
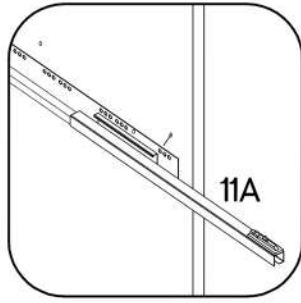
# 2

			 $\pm 3.0 \times 16 \text{mm}$	 $\pm 3.5 \times 13 \text{mm}$		 $\pm 7/2 \text{mm}$
11D	11C	11E	P11	P5	11G	J5
1	1	2	4	8	2	2





# 3

		
11A	M3	P1
3	12	12



# 4


L=192mm

S
3

