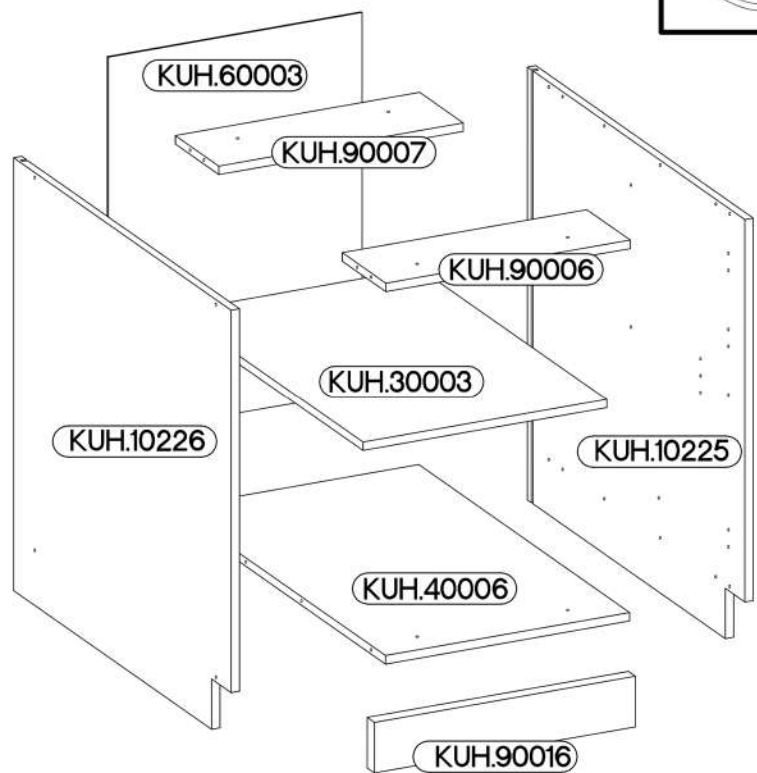
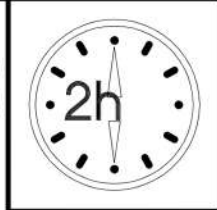
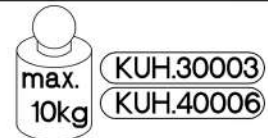
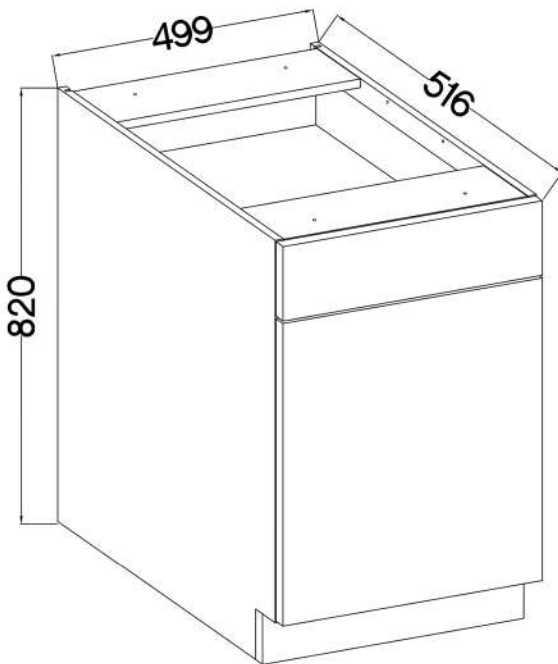
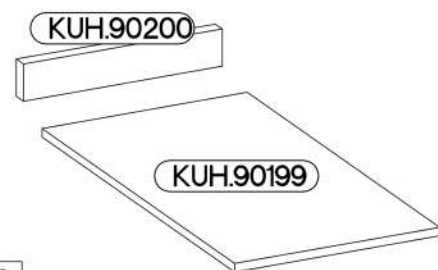


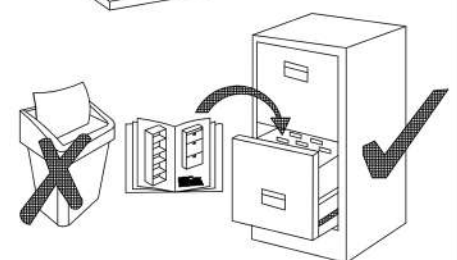
FRISBO 50 D 1F 1S BB





KUH.10225	815x500x16
KUH.10226	815x500x16
KUH.30003	466x430x16
KUH.40006	467x485x16
KUH.60003	713x485x2,5
KUH.90006	467x100x16
KUH.90007	467x100x16
KUH.90016	499x95x16
KUH.90199	442x392x16
KUH.90200	380x70x16

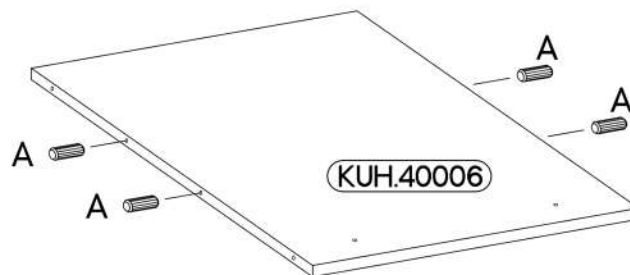
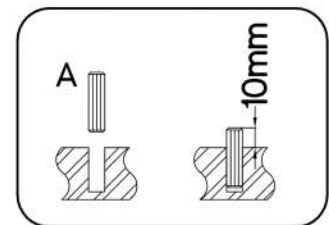
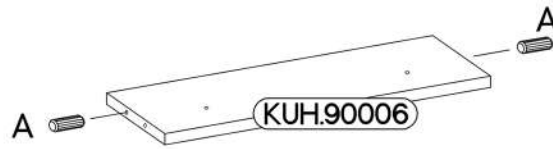
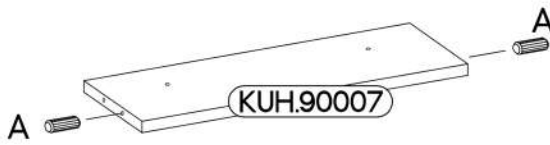
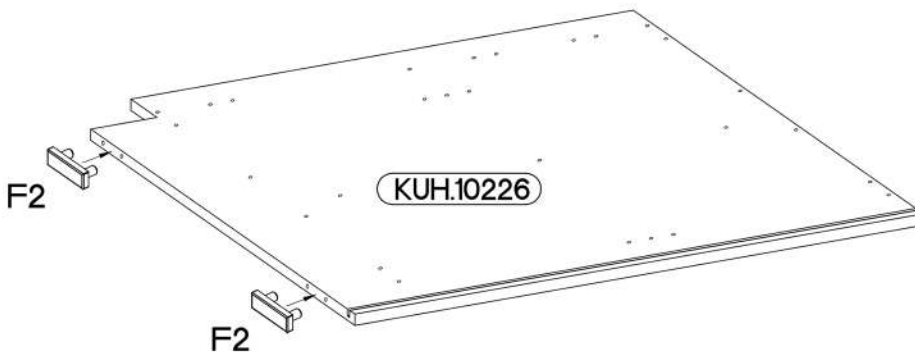
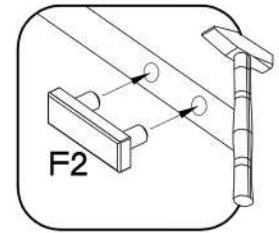
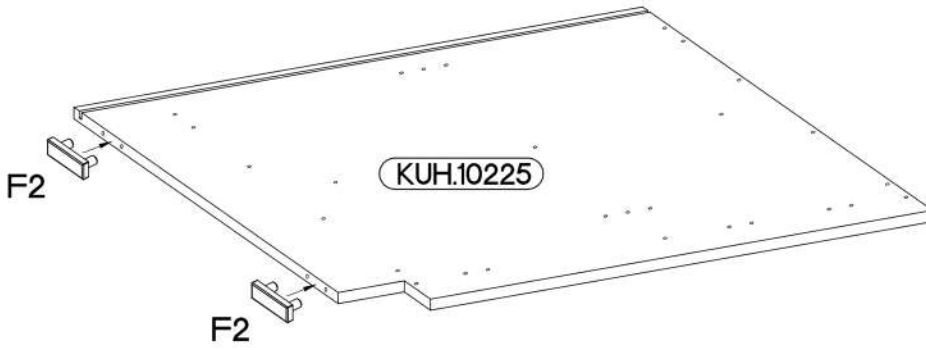
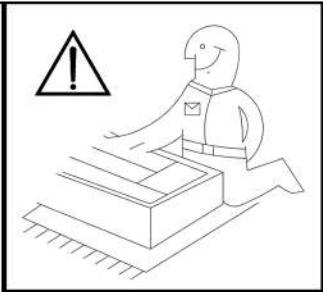


$\pm 8 \times 30 \text{mm}$	$6,4 \times 50 \text{mm}$			$6.5 \times 48 \times 16$	$\pm 35 / 0 \text{mm}$	
A	B	E1	E9	F2	HG	
8	8	8	2	4	2	
$\pm 5 / 19 \text{mm}$	$\pm 6.3 \times 13 \text{mm}$		$\pm 4.0 \times 16 \text{mm}$	$\pm 4.0 \times 45 \text{mm}$	$\pm 3.5 \times 13 \text{mm}$	$\pm 3.0 \times 20 \text{mm}$
J	M3	O	P1	P4	P5	P7
4	4	1	8	2	12	8-10
$\pm 4.0 \times 35 \text{mm}$						
R3	11A	11C	11D	11E	11G	
4	1	1	1	2	2	



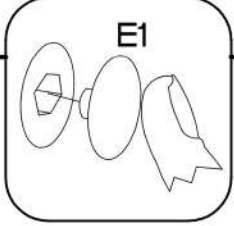
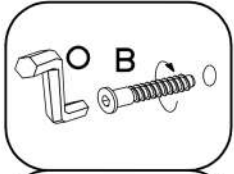
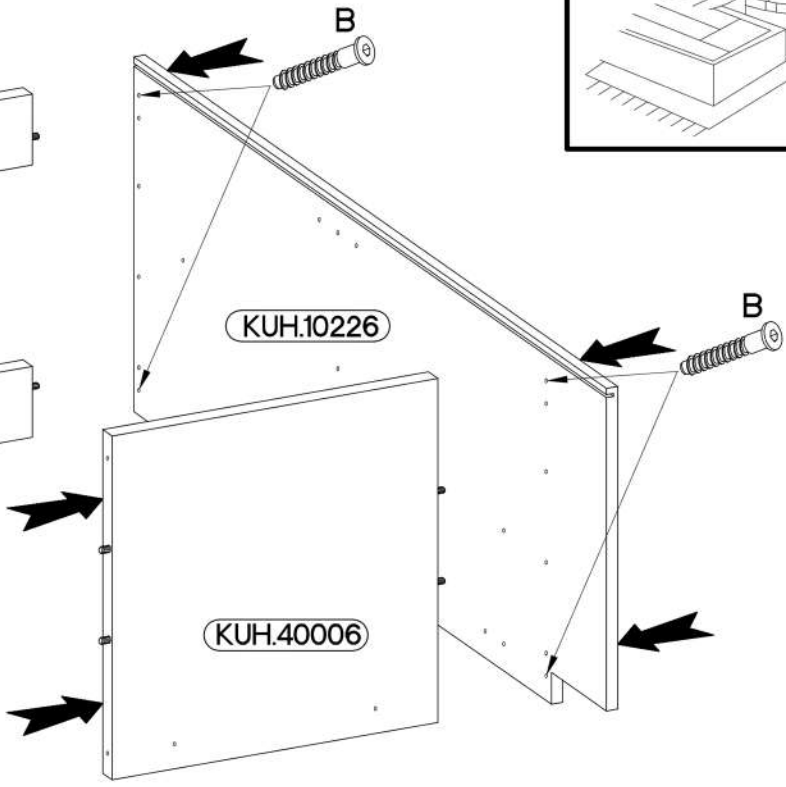
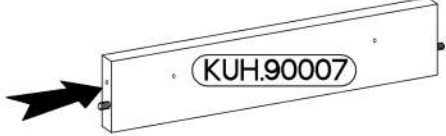
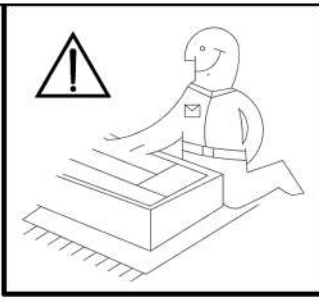
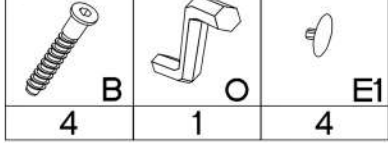
1

6.5x48x16	±8x30mm
	
F2	A
4	8

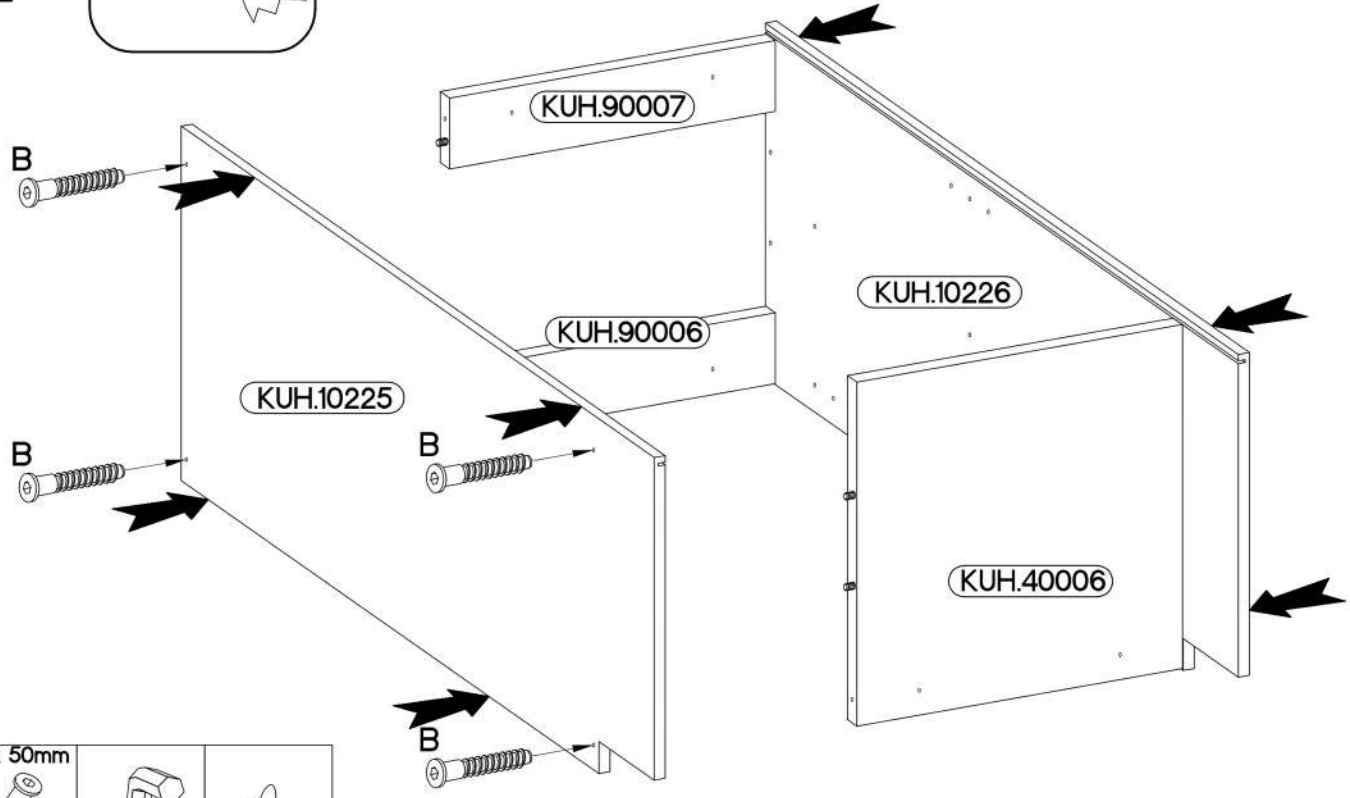


2

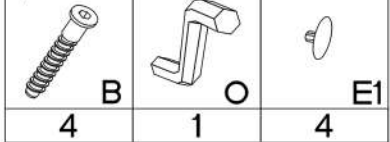
6,4 x 50mm



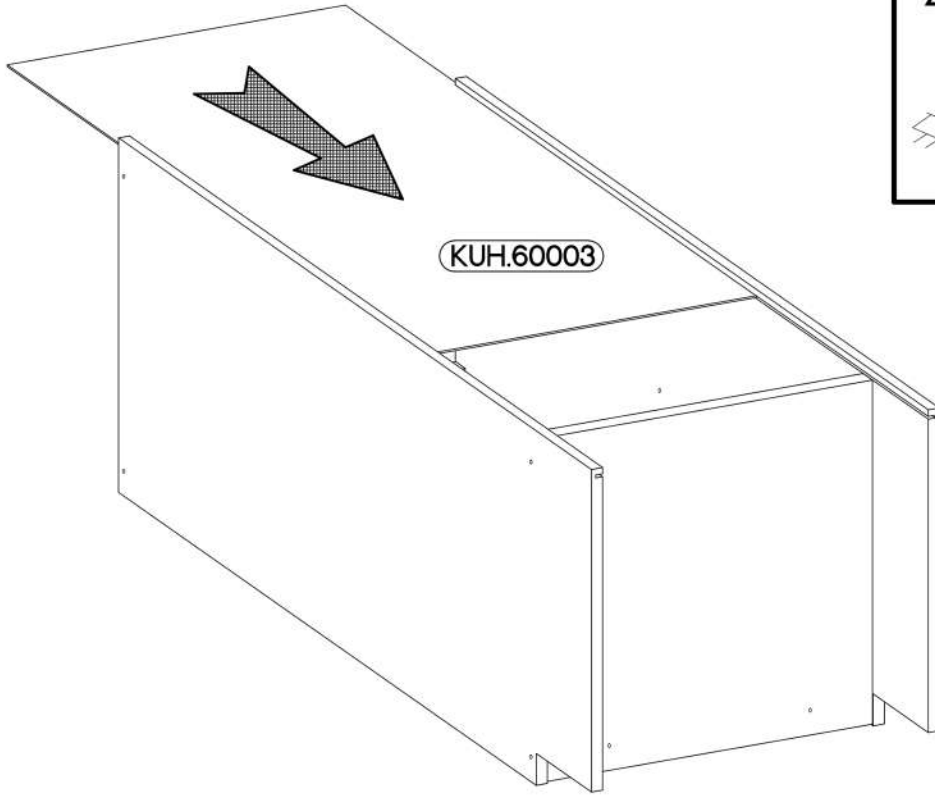
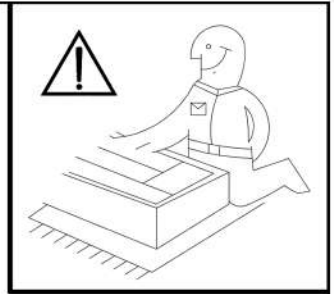
3



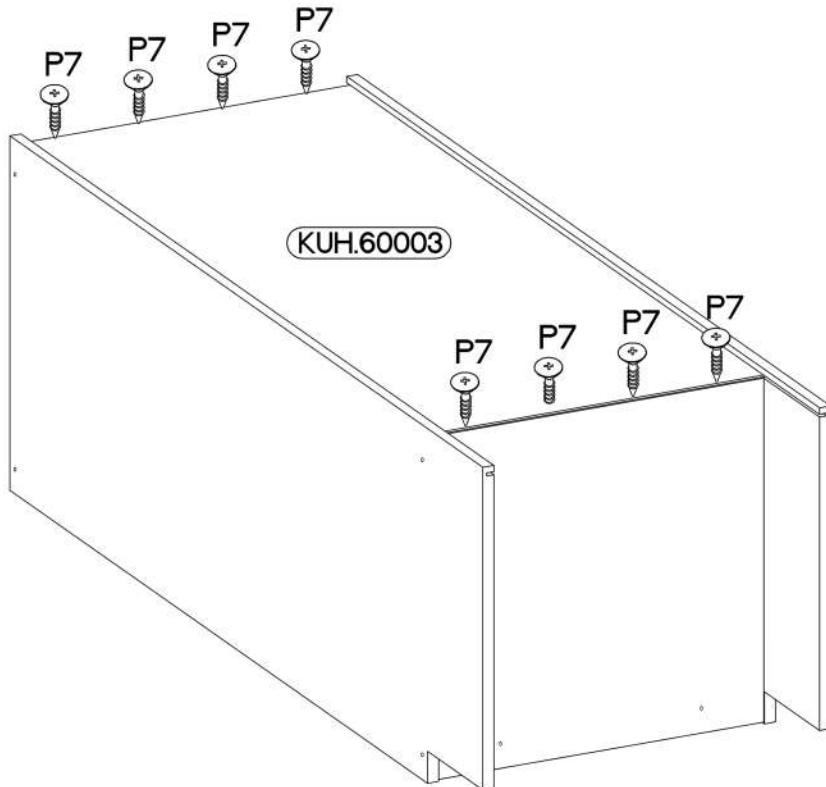
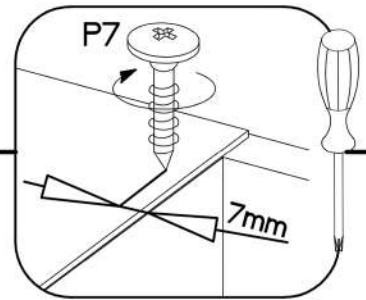
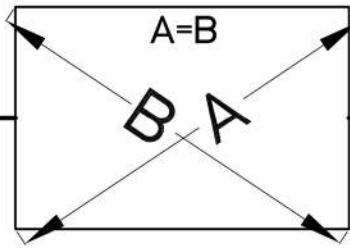
6,4 x 50mm





4

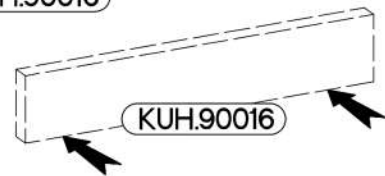
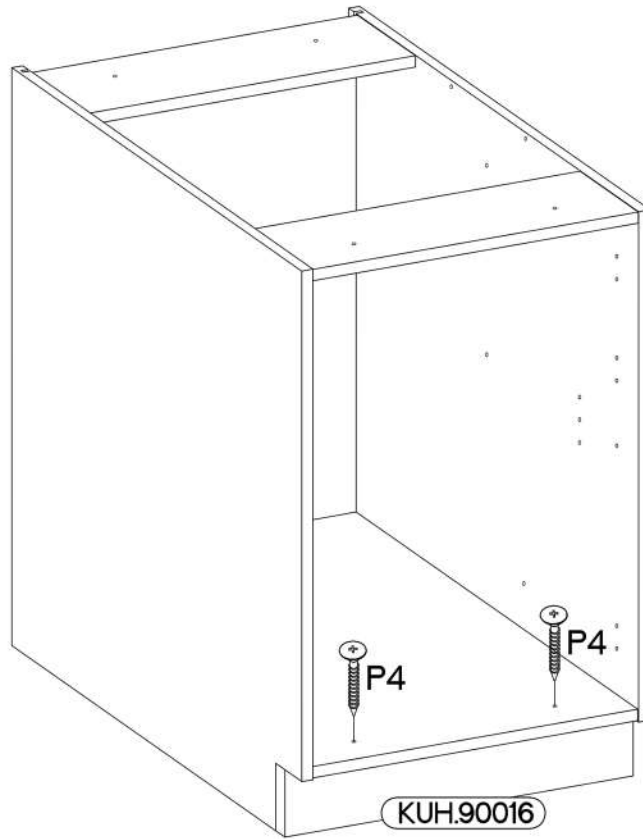
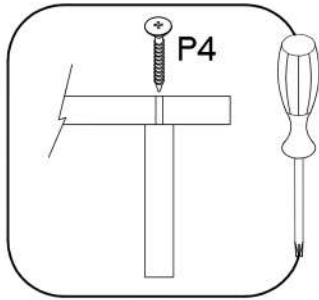


5



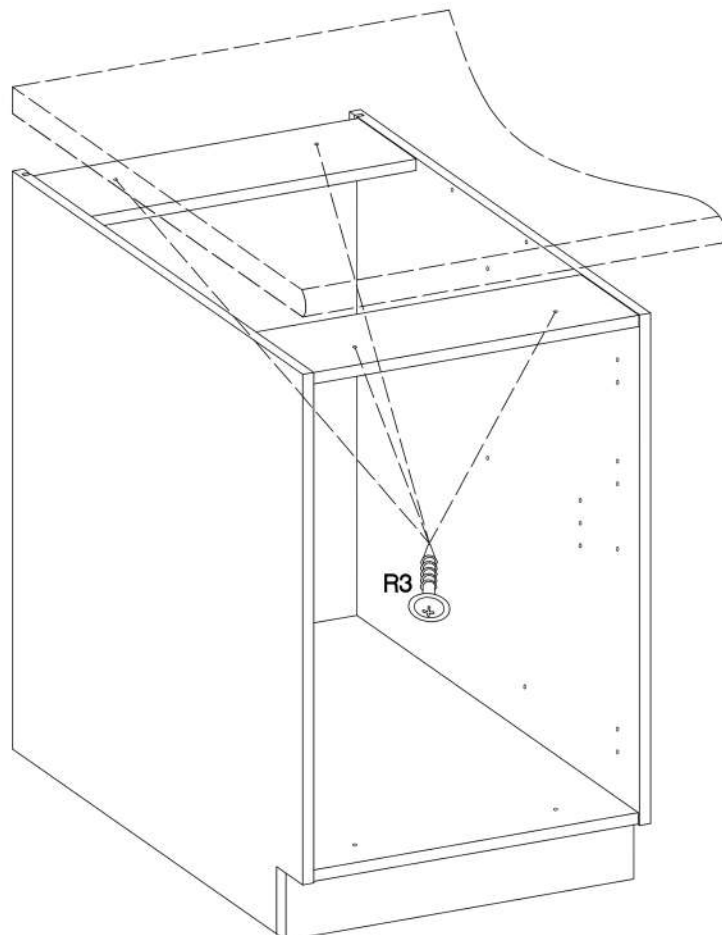
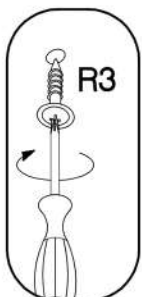
6

4.0x45mm	
	P4
2	2






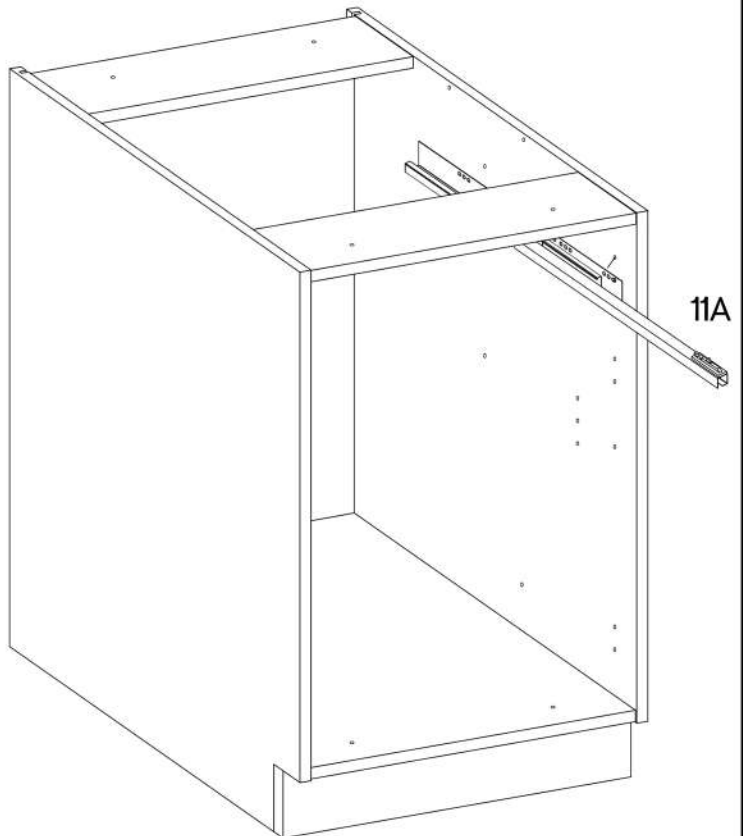
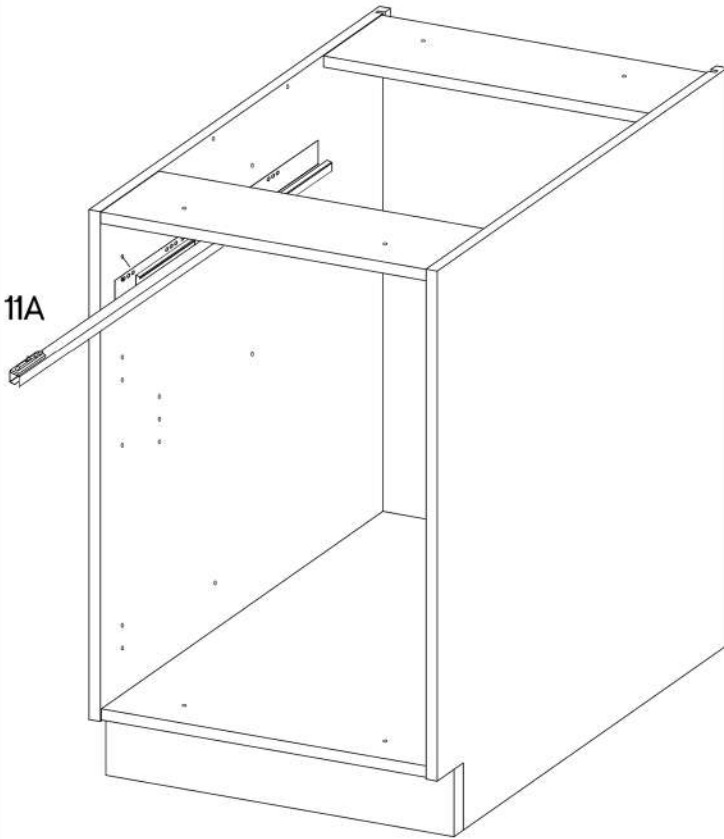
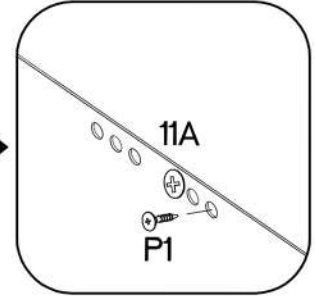
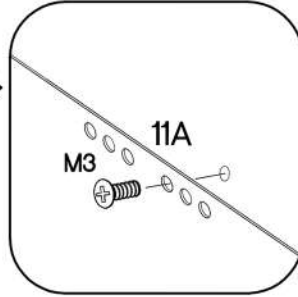
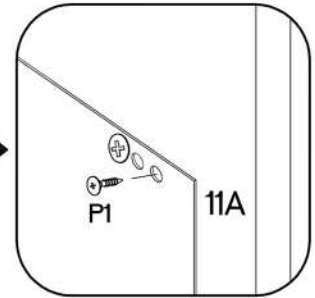
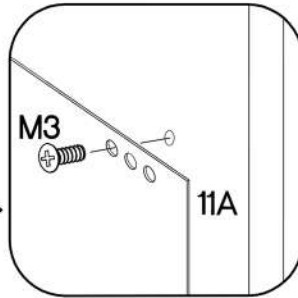
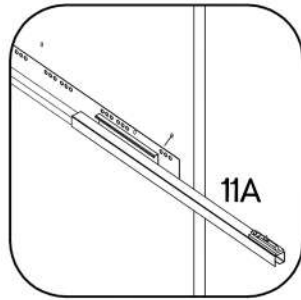
7

4.0x35mm	
R3	
4	

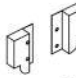




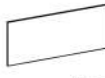


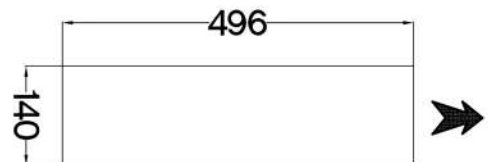
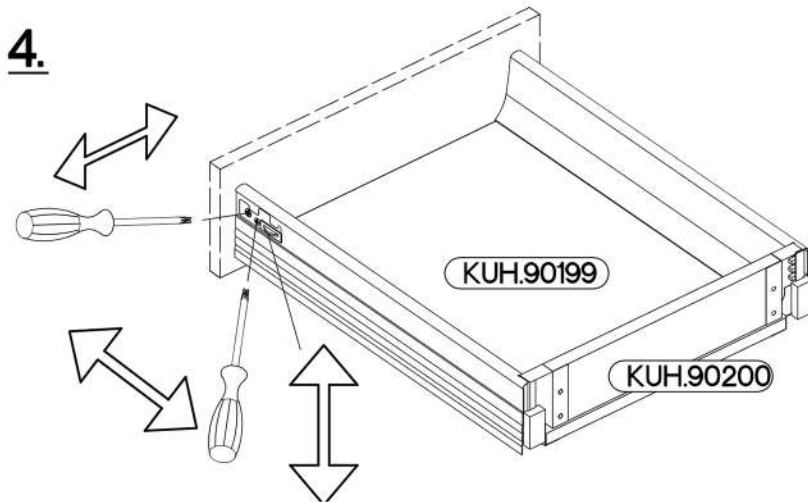
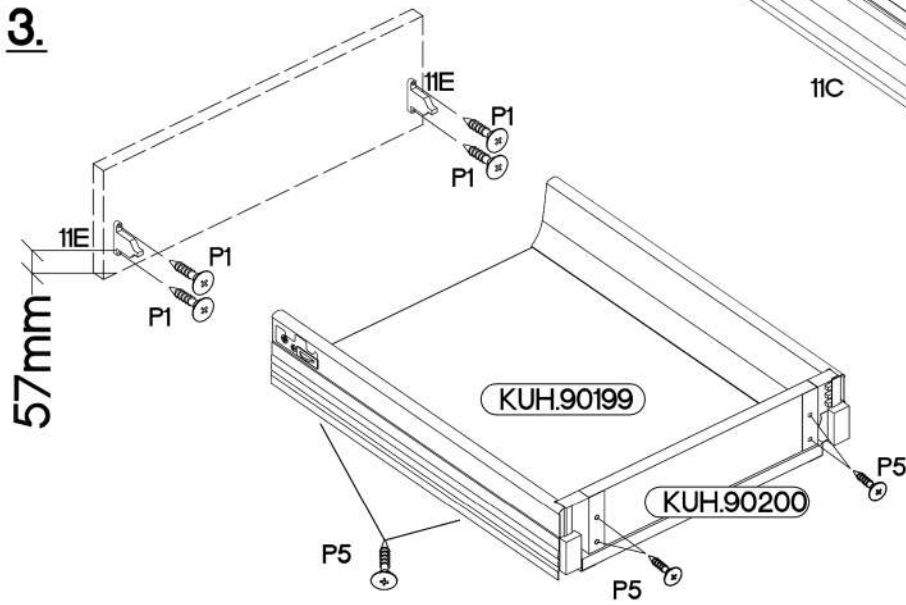
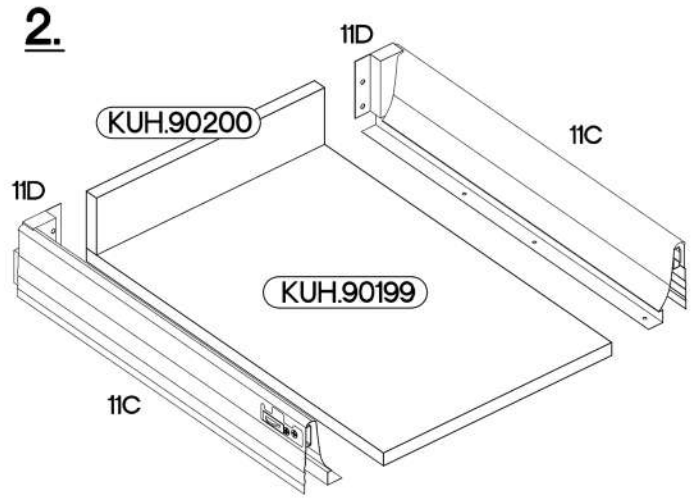
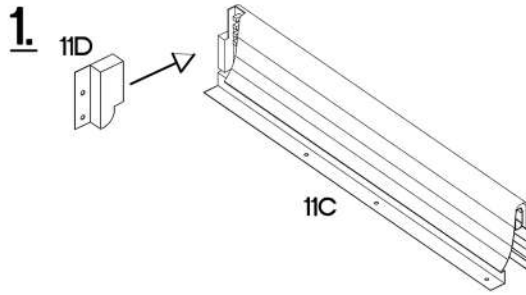
8

	+6.3x13mm 	+4.0x16mm 
11A	M3	P1
1	4	4

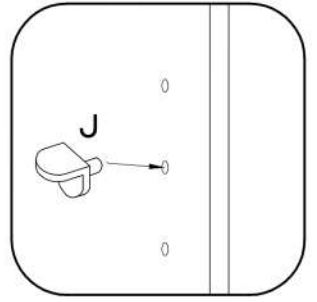
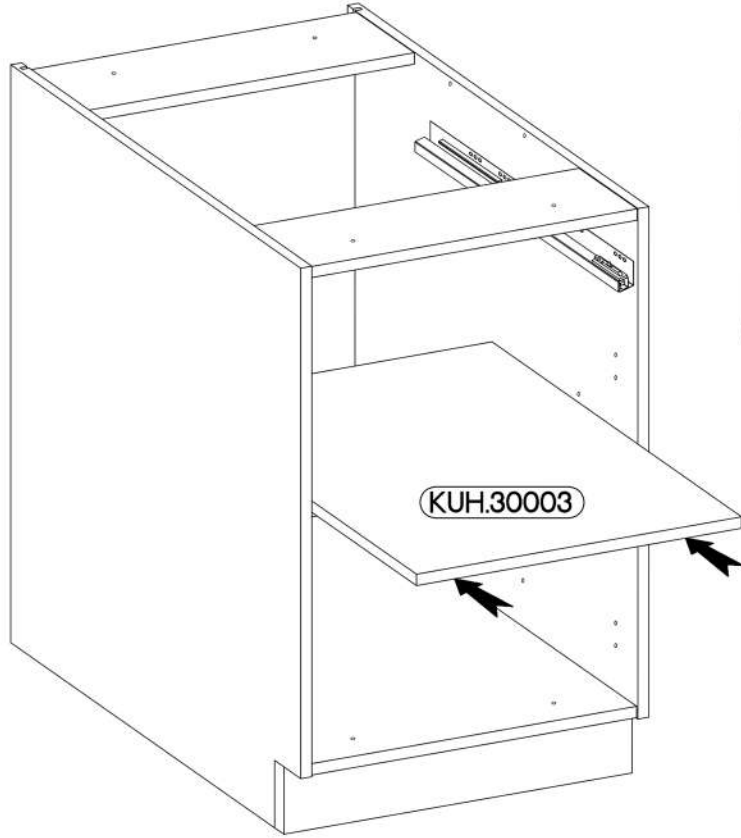
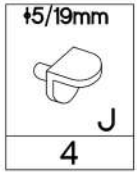


9

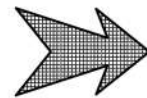
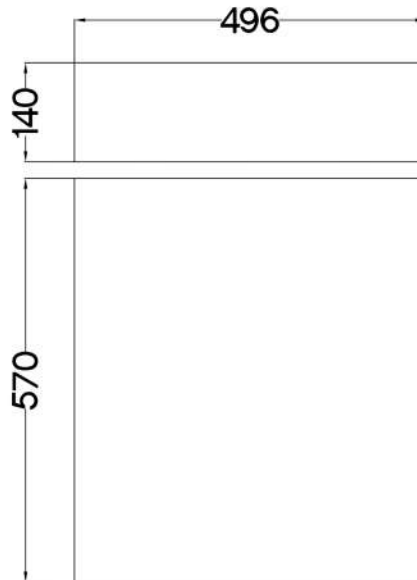
 11D 1	 11C 1	 11E 2	 4.0x16mm P1 4	 3.5x13mm P5 8	 11G 2
---	---	---	--	--	--

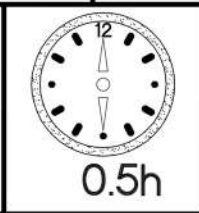
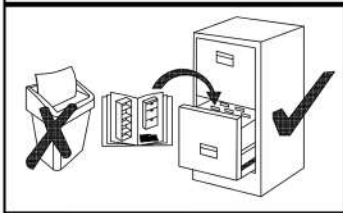
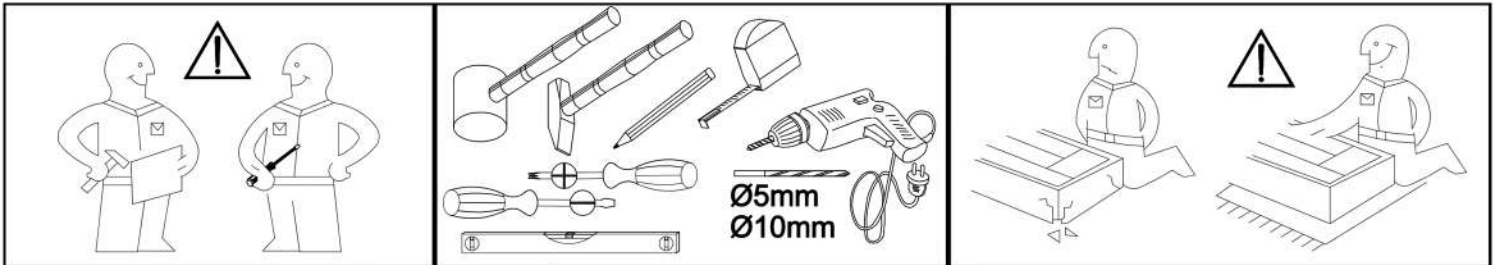


10

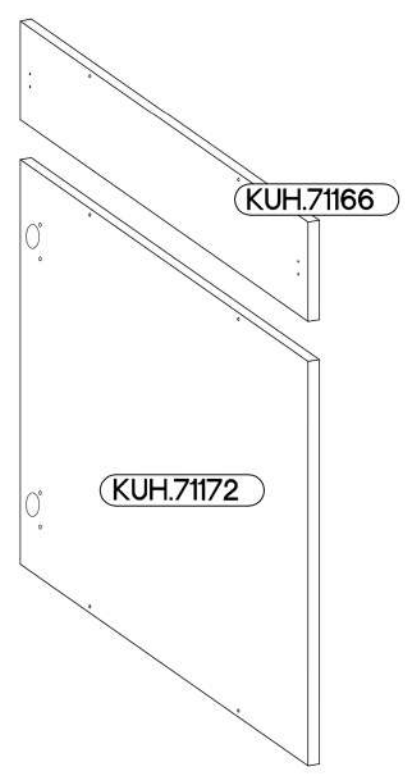
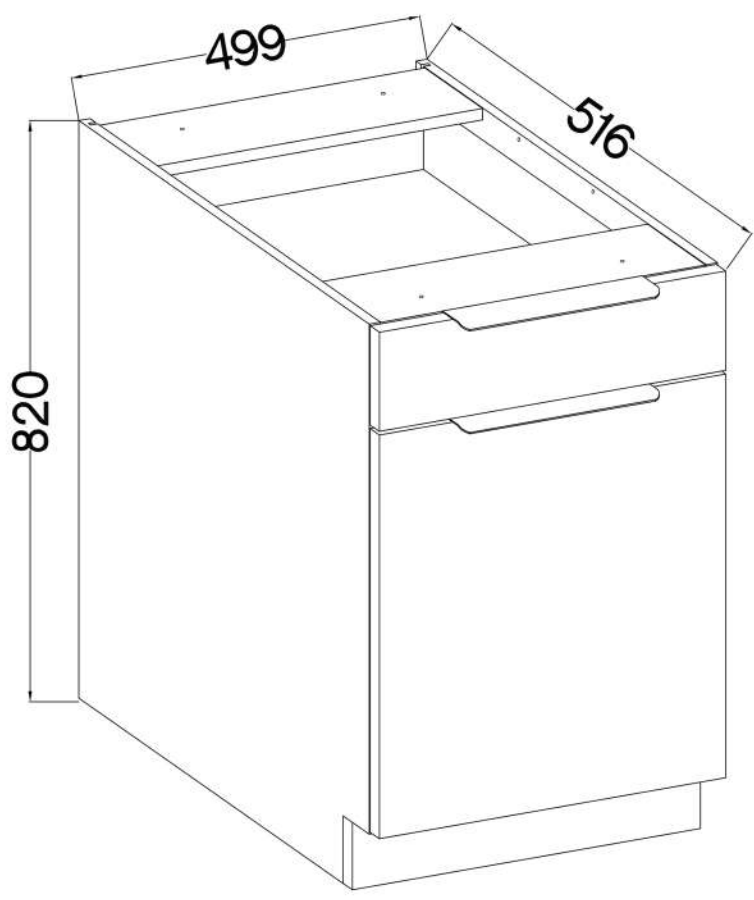
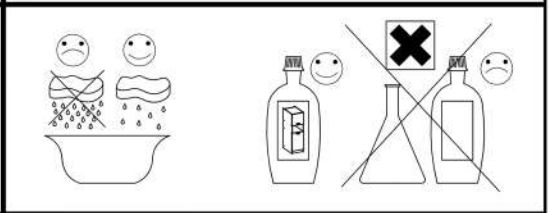


11





50 D 1F 1S BB

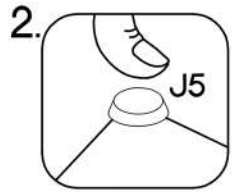
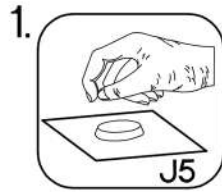
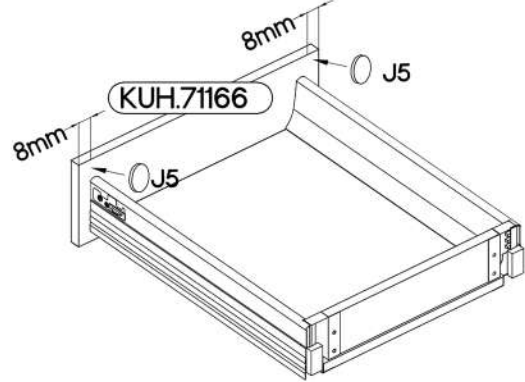
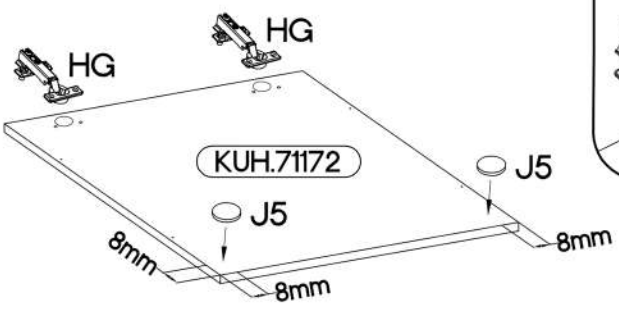
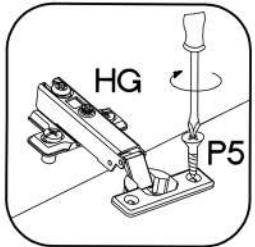


L=256mm	±7/2mm
S	J5
2	4

KUH.71166	140x496x16
KUH.71172	570x496x16

1

$\pm 35/0\text{mm}$ [CD] HG 2	$\pm 3.5 \times 13\text{mm}$ P5 4	$\pm 7/2\text{mm}$ J5 4
-------------------------------------	---	-------------------------------



2

L=256mm S 2

