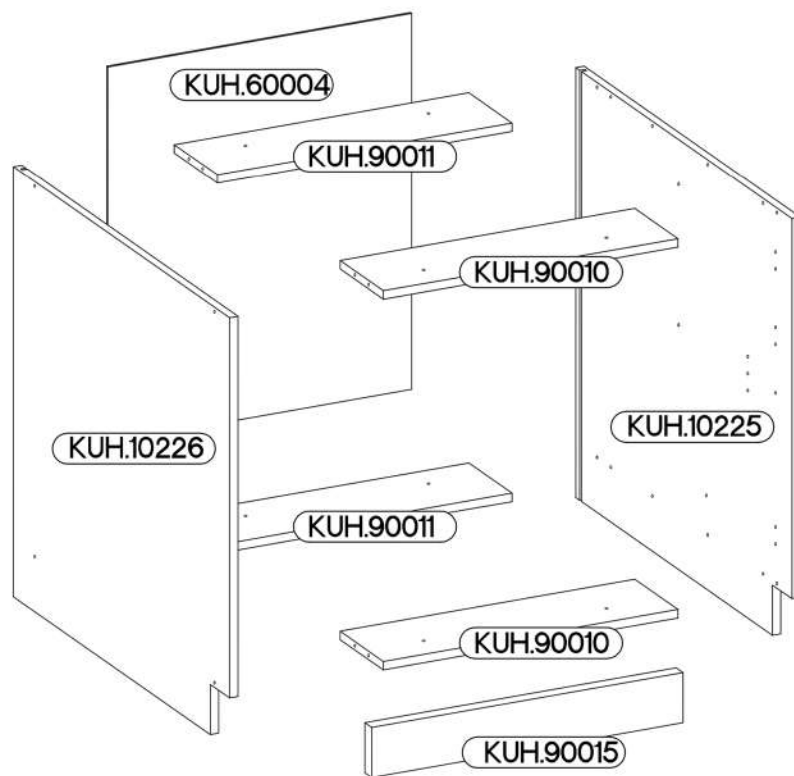
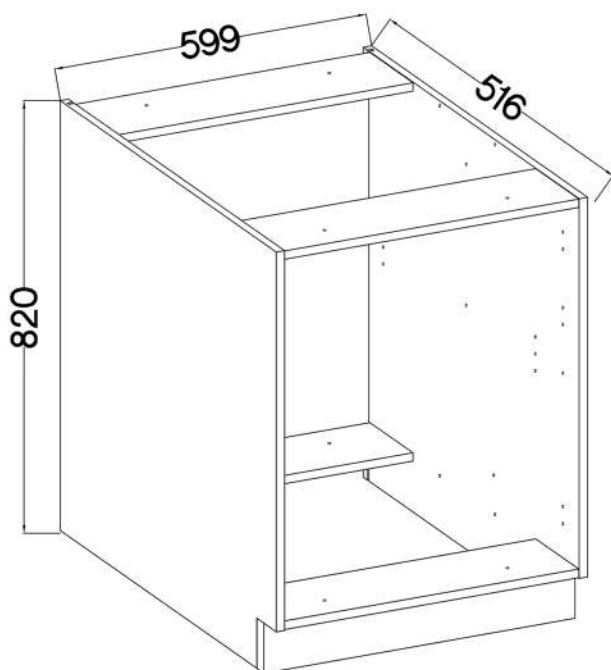
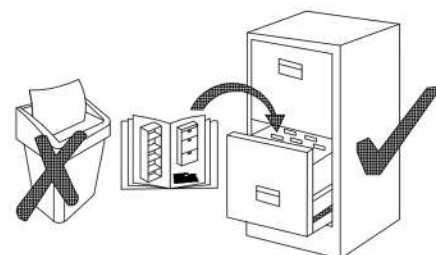


FRISBO 60 D 3S BB



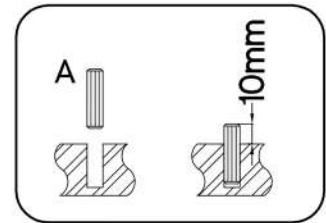
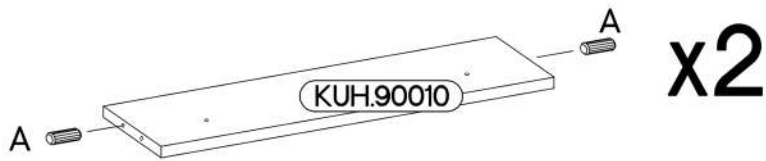
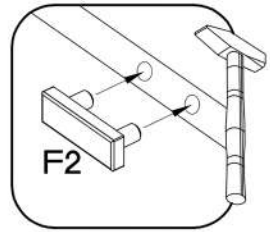
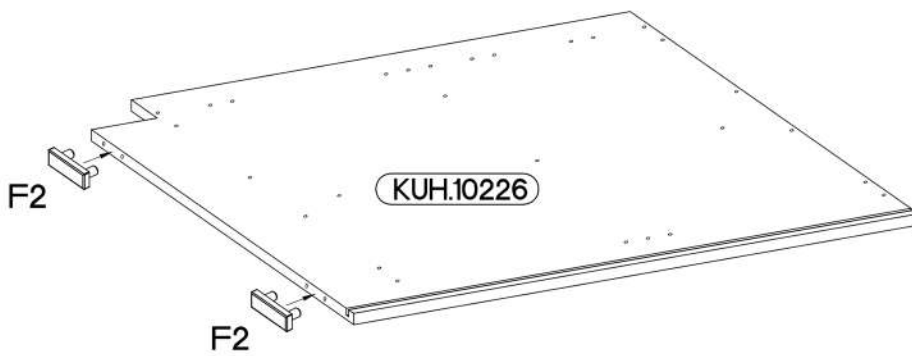
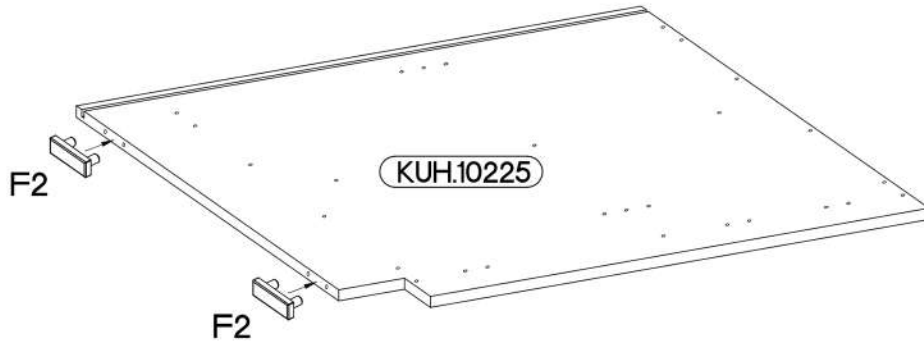
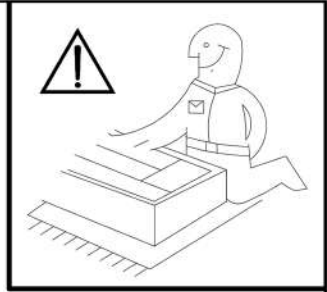
KUH.10225	815x500x16
KUH.10226	815x500x16
KUH.60004	713x585x2,5
KUH.90010 x2	567x100x16
KUH.90011 x2	567x100x16
KUH.90015	599x95x16

 †8x30mm A 8	 6,4 x 50mm B 8	 E1 8	 E9 2	 6.5x48x16 F2 4	 O 1	 †4.0x45mm P4 2	 †3.0x20mm P7 8-10	 †4.0x35mm R3 4
------------------------------	---------------------------------	--------------------	--------------------	---------------------------------	-------------------	---------------------------------	------------------------------------	---------------------------------



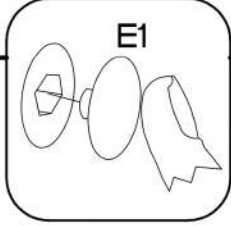
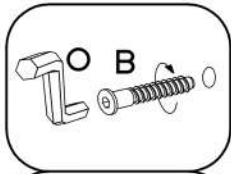
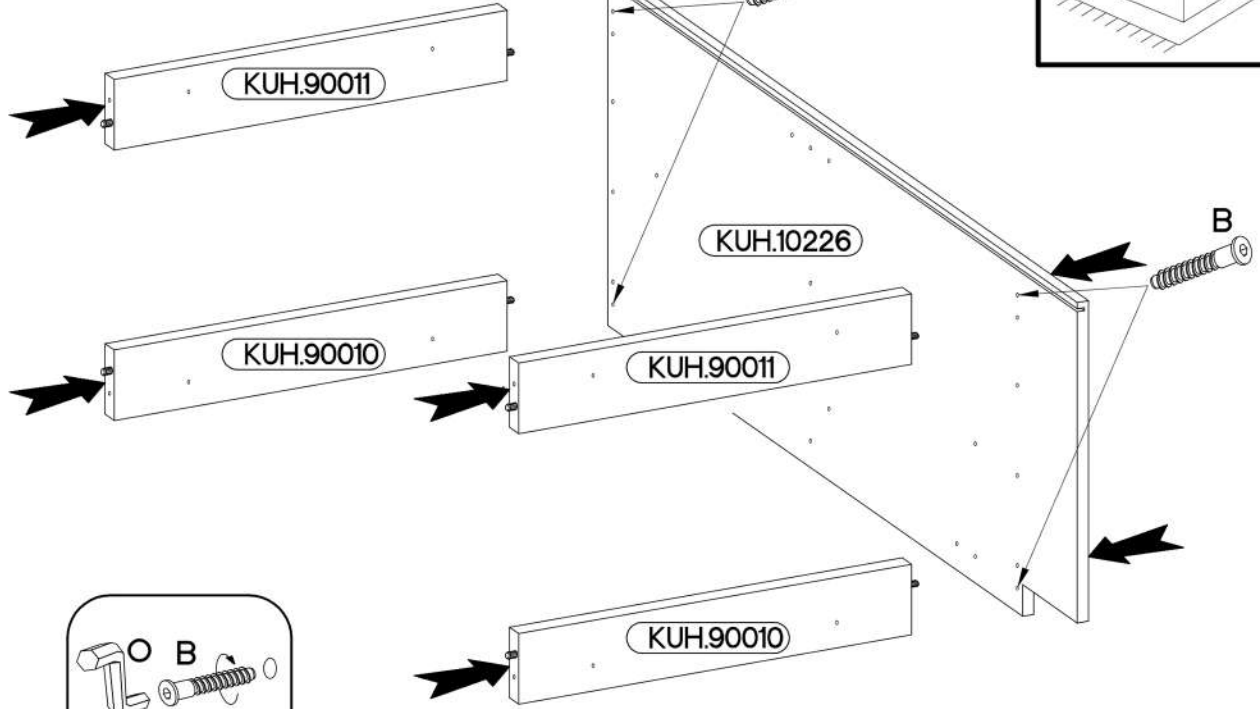
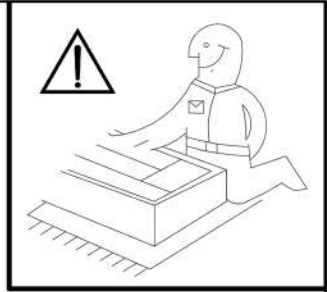
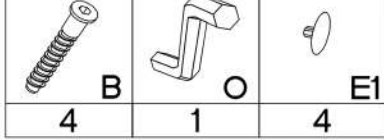
1

6.5x48x16 F2 4	±8x30mm A 8
----------------------	-------------------

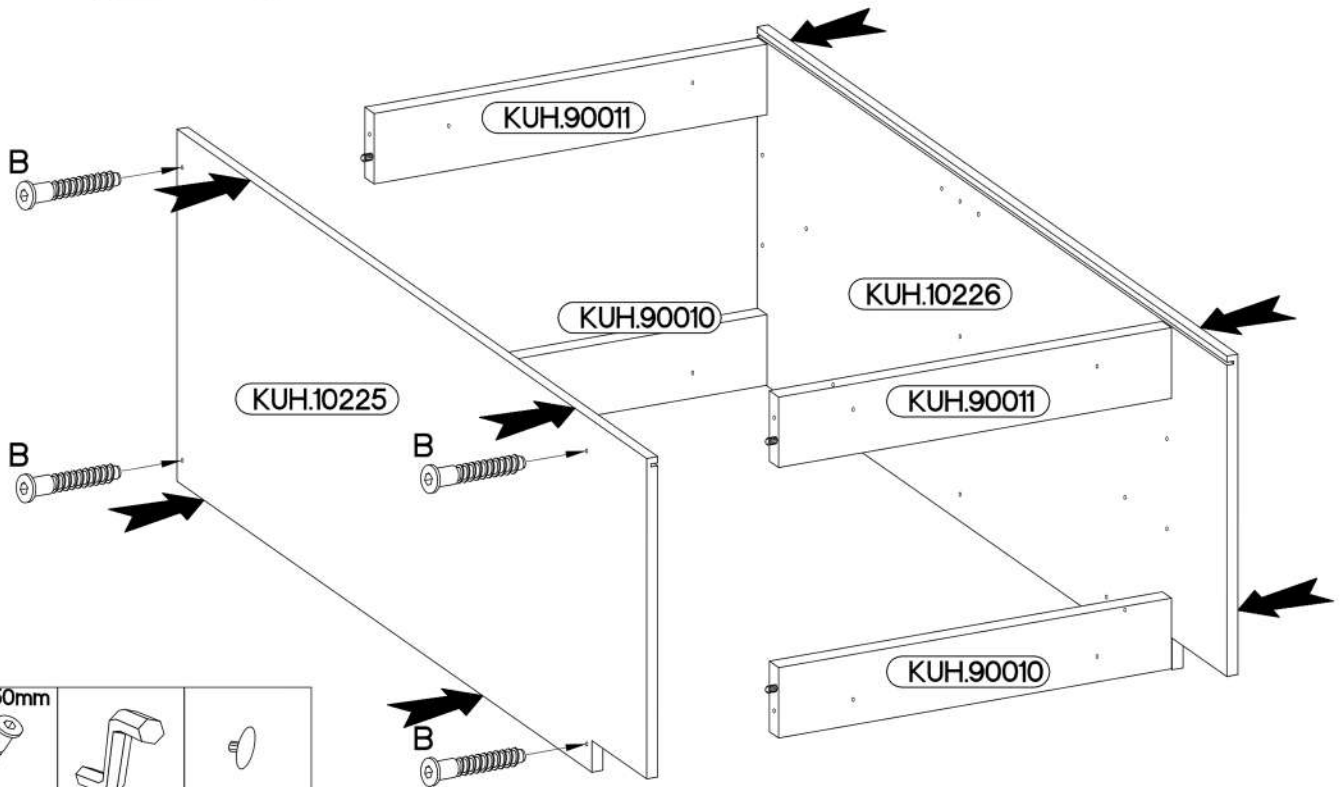


2

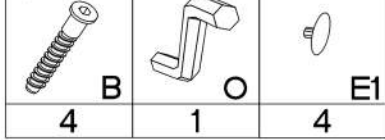
6,4 x 50mm



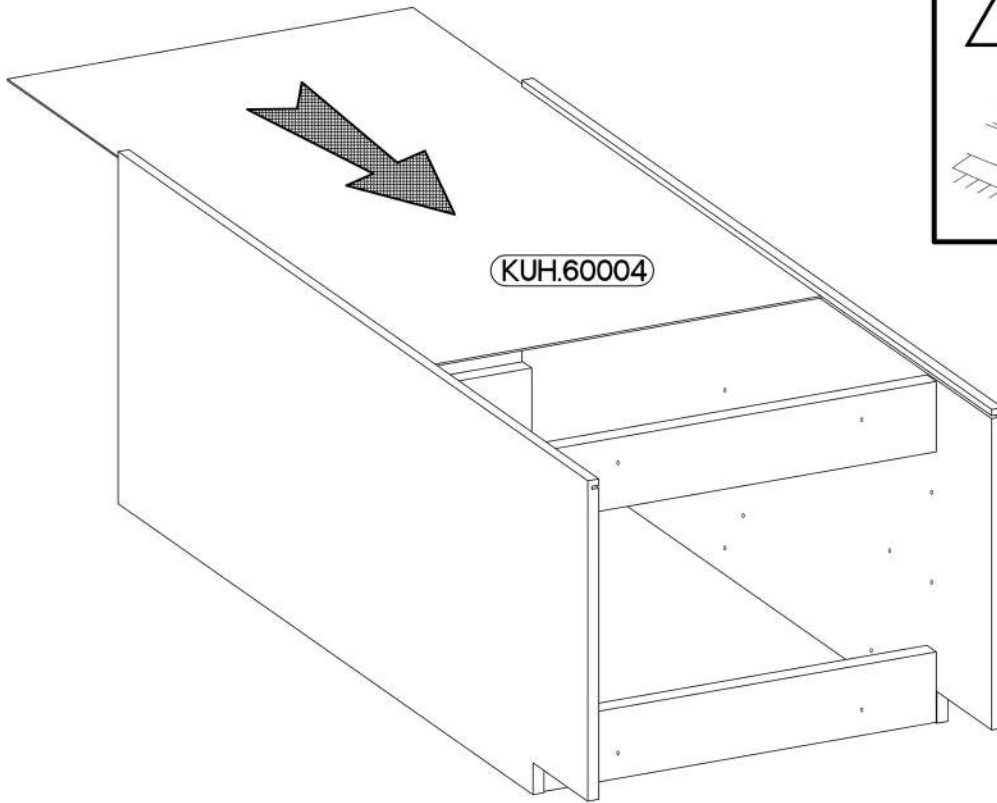
3



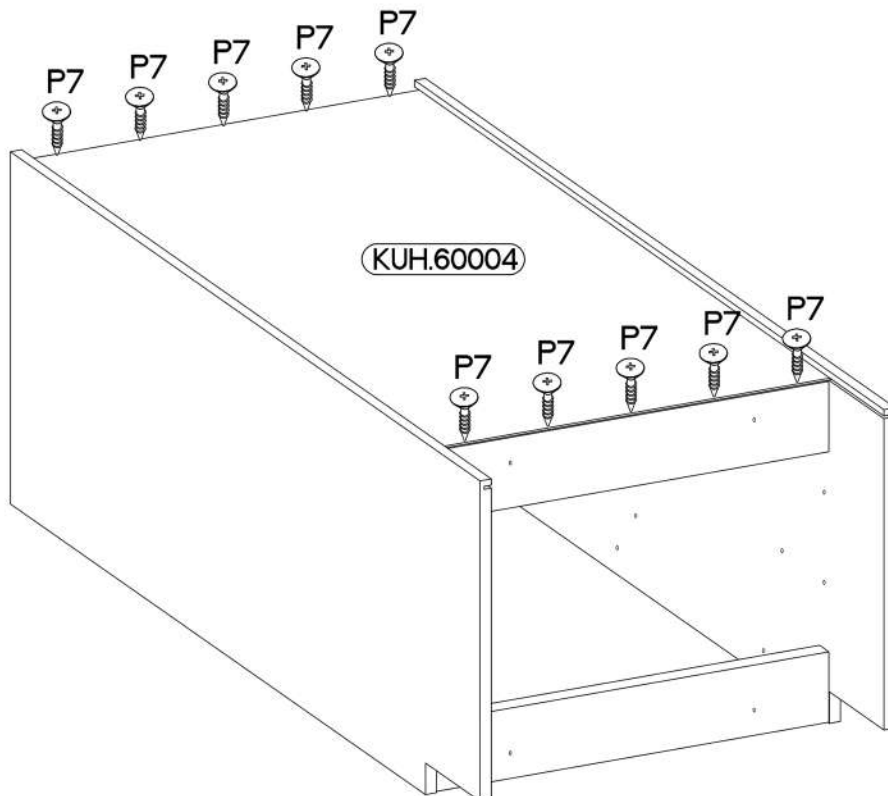
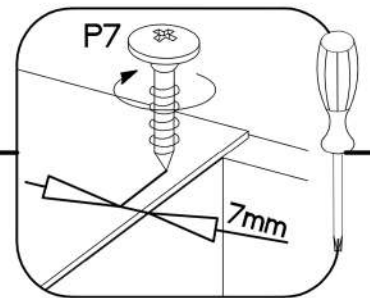
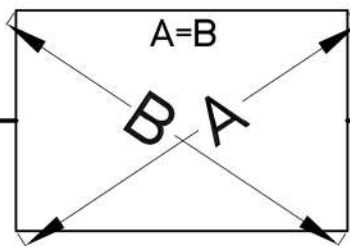
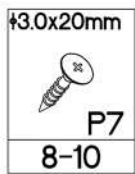
6,4 x 50mm





4

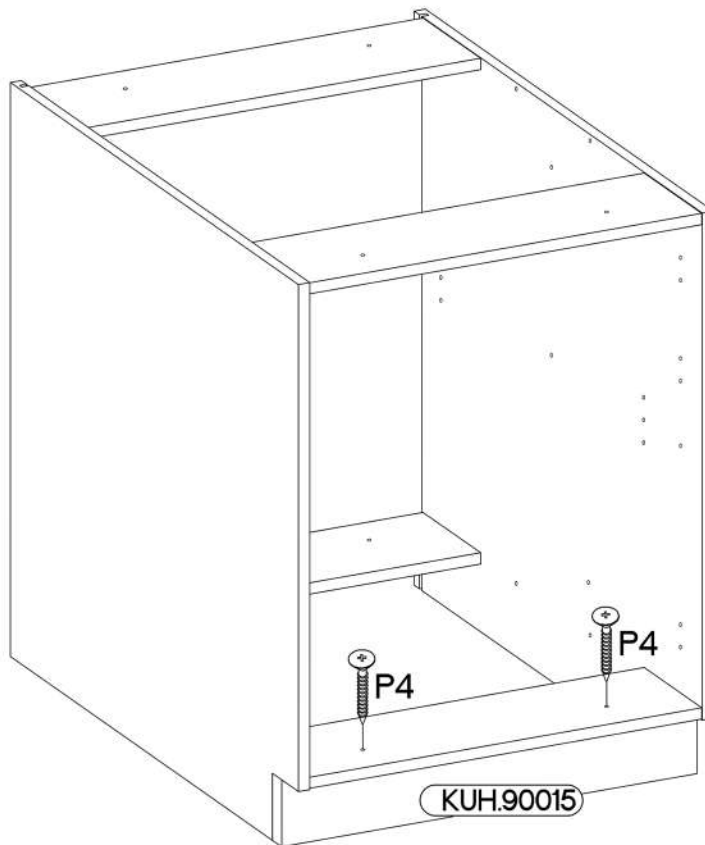
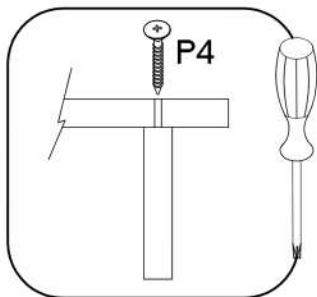


5



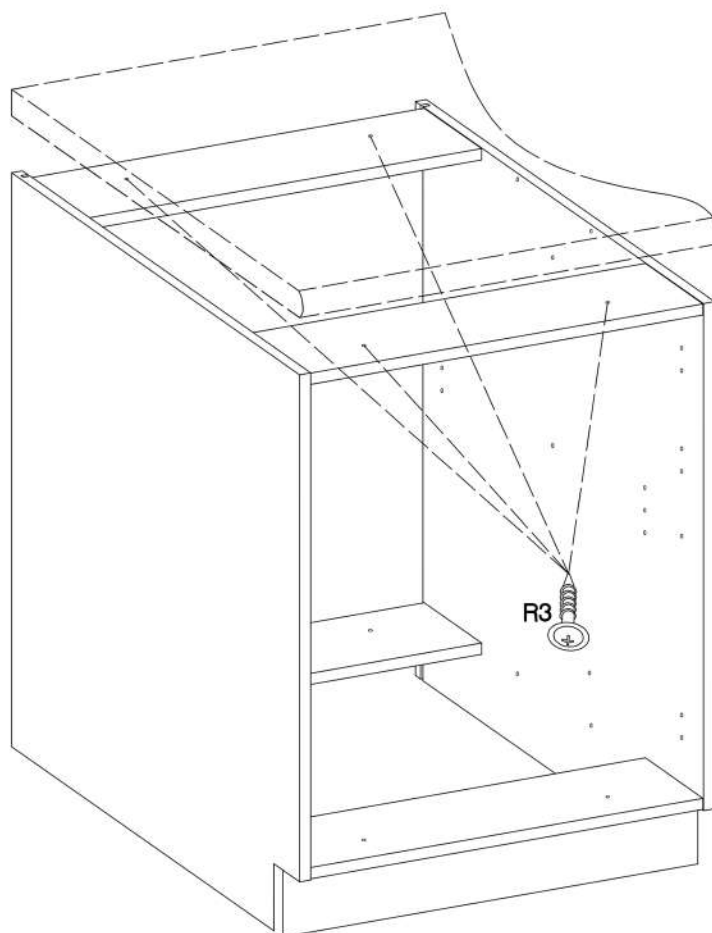
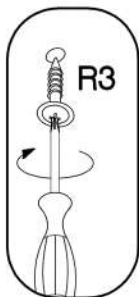
6

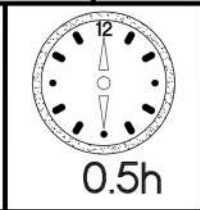
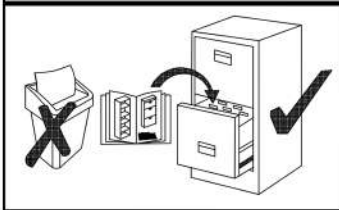
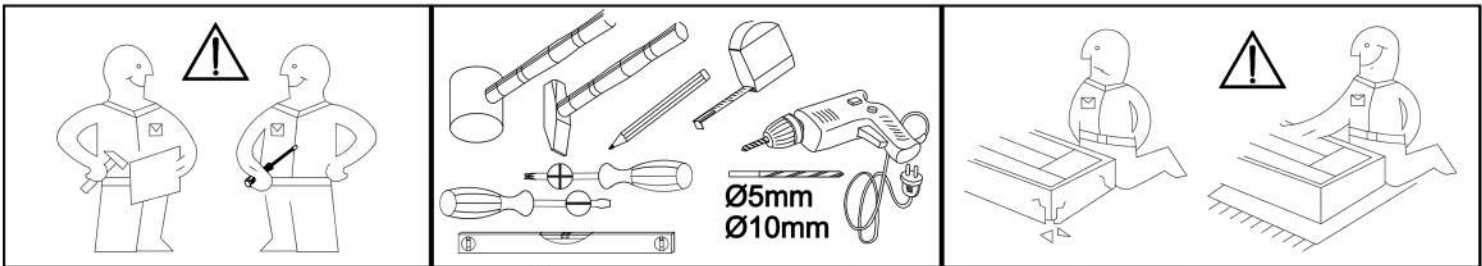
4.0x45mm	
	P4
2	2



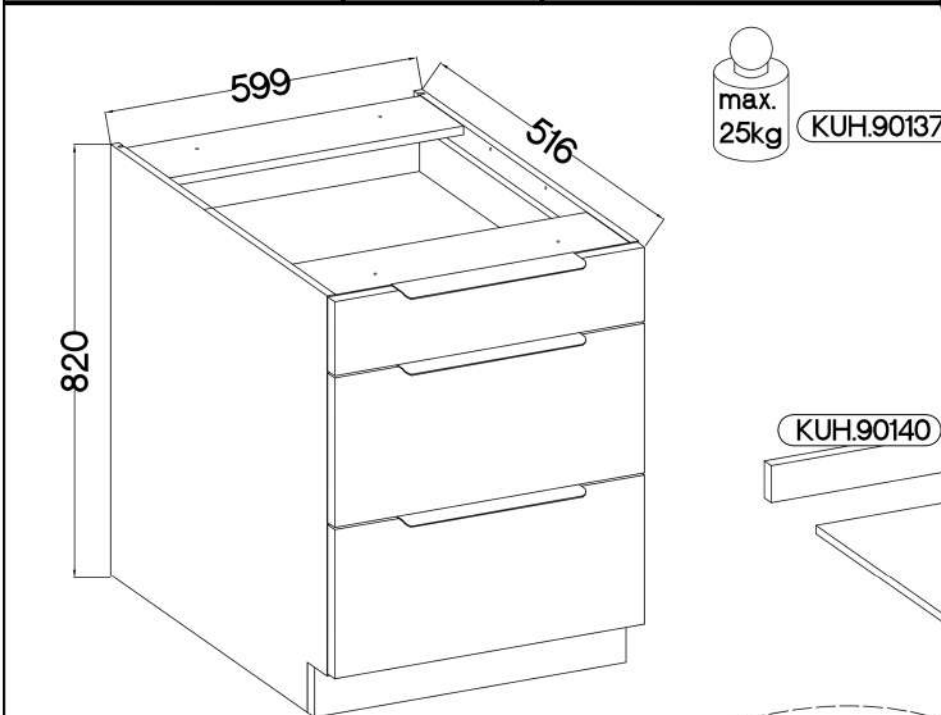
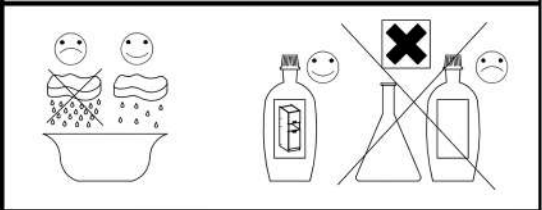
7

4.0x35mm	
R3	
4	

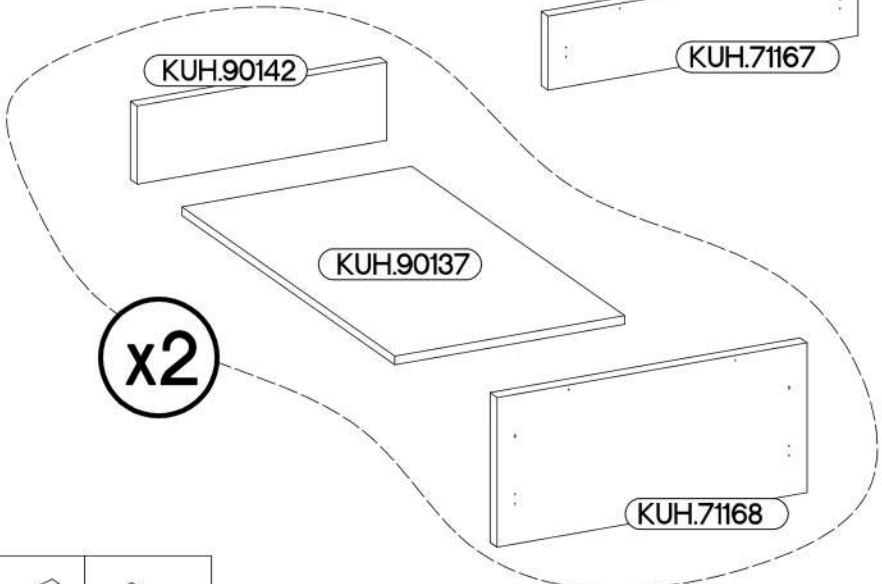
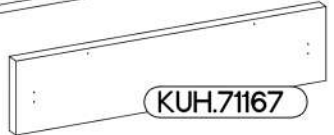
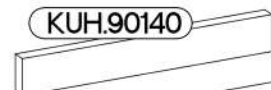
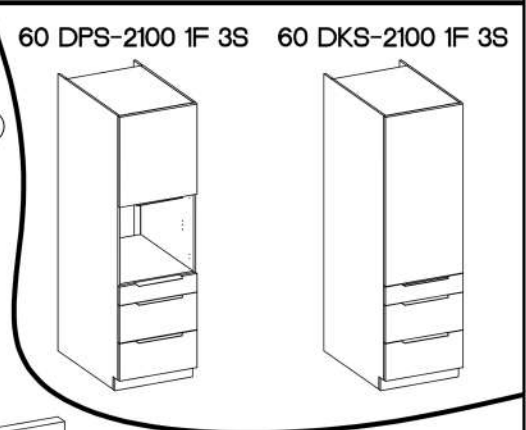




60 D 3S BB



max. 25kg
KUH.90137



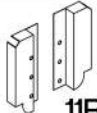






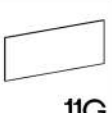

L=320mm S 3	+7/2mm J5 6
-----------------------	-----------------------

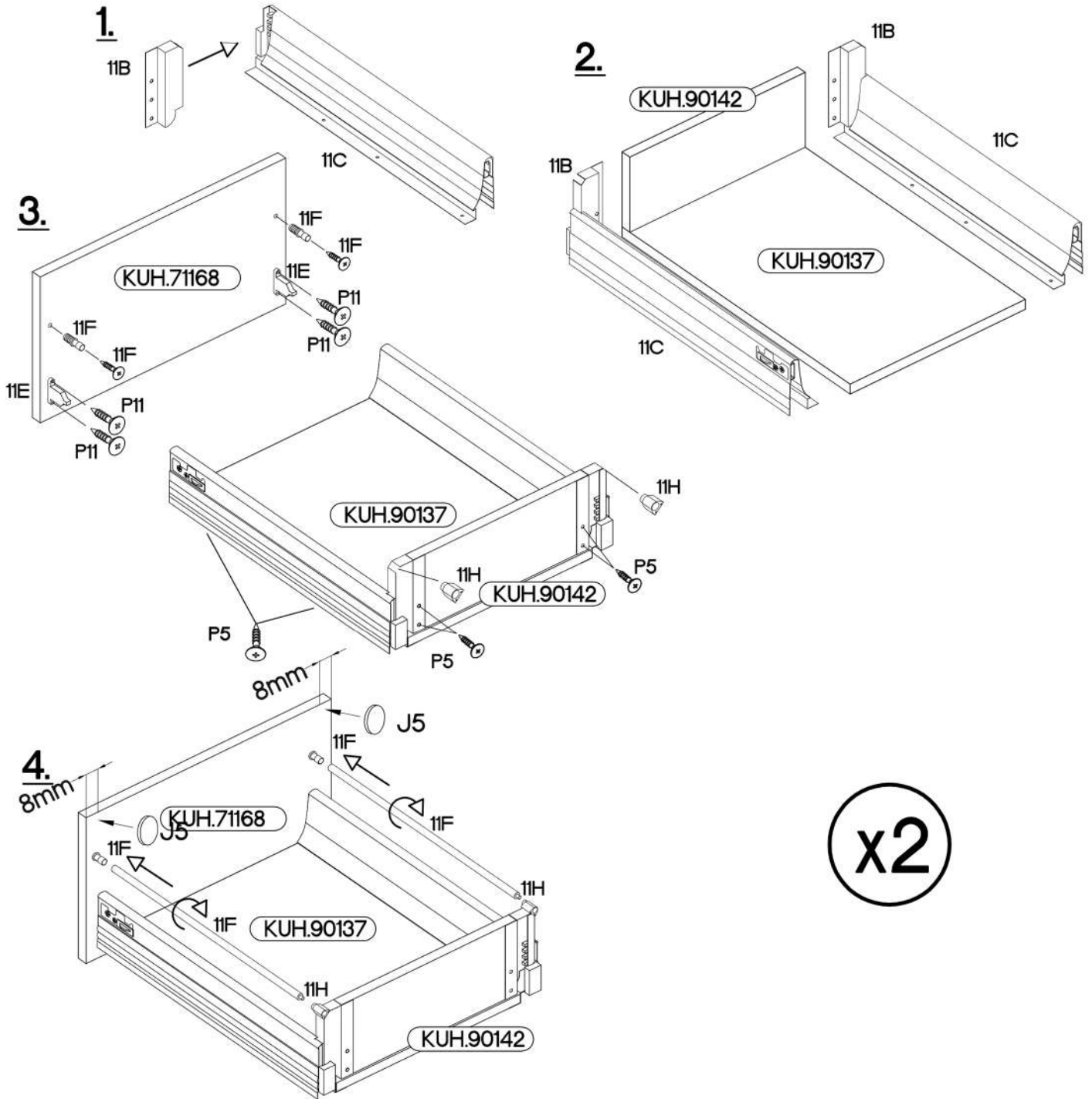
 11A 3	 11B 2	 11C 3	 11D 1	 11E 6
--------------	--------------	--------------	--------------	--------------

 11F 4	 11G 6	 11H 4	 M3 12	 P1 12	 P5 24	 P11 12
--------------	--------------	--------------	--------------	--------------	--------------	---------------

KUH.71167	140x596x16
KUH.71168 x2	283x596x16
KUH.90137 x3	442x492x16
KUH.90140	480x70x16
KUH.90142 x2	480x148x16

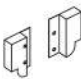






1

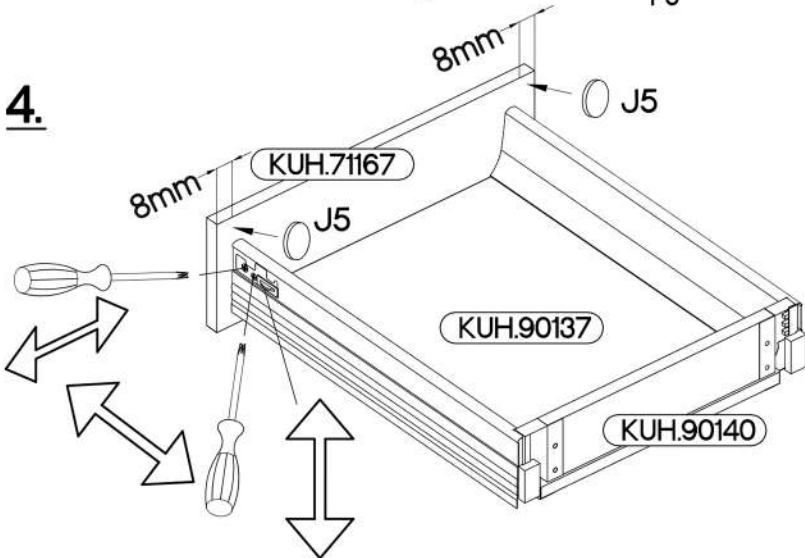
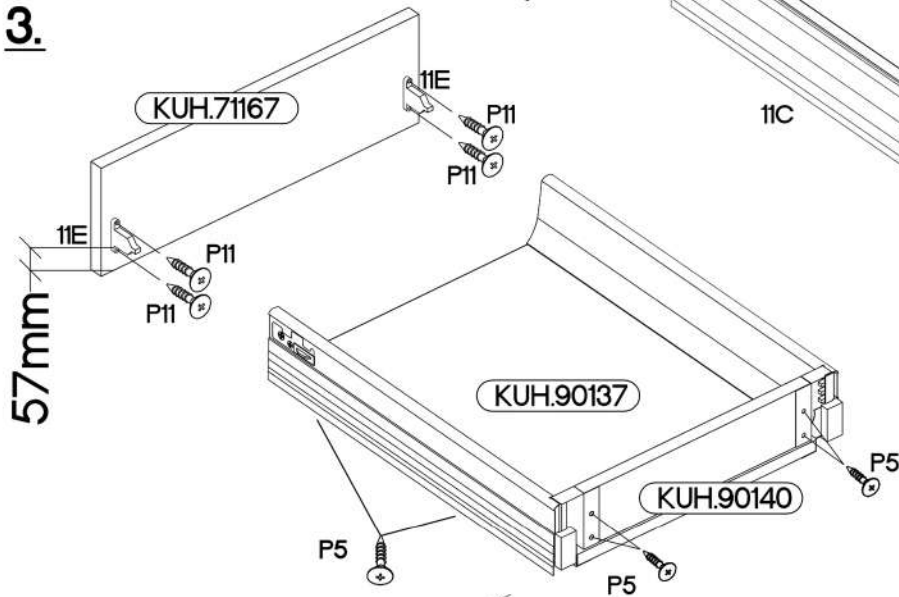
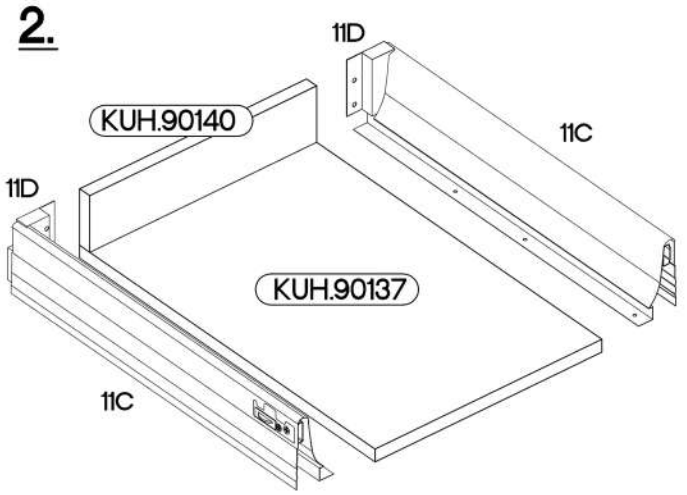
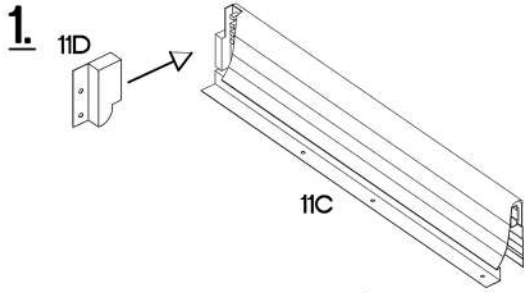
 11B	 11C	 11E	 11F	 11H	 P11	 P5	 11G	 J5
2	2	4	4	4	8	16	4	4






x2

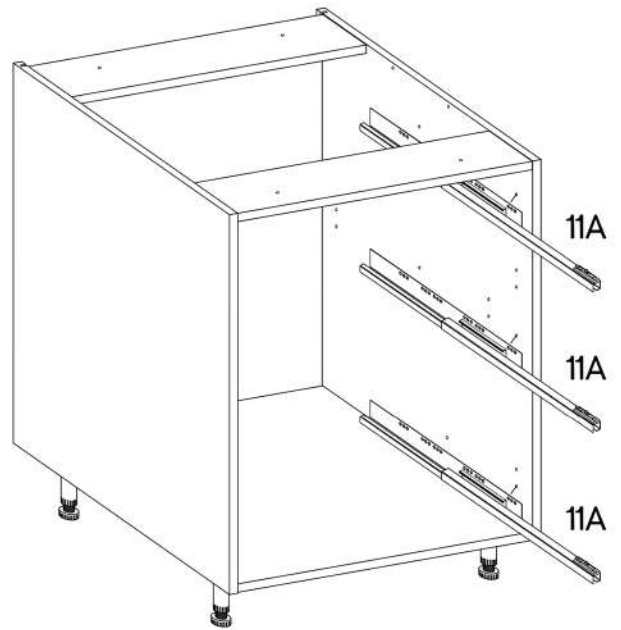
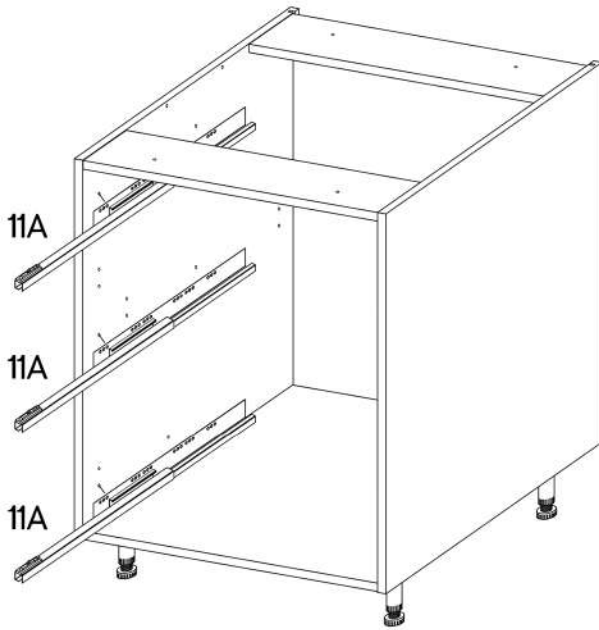
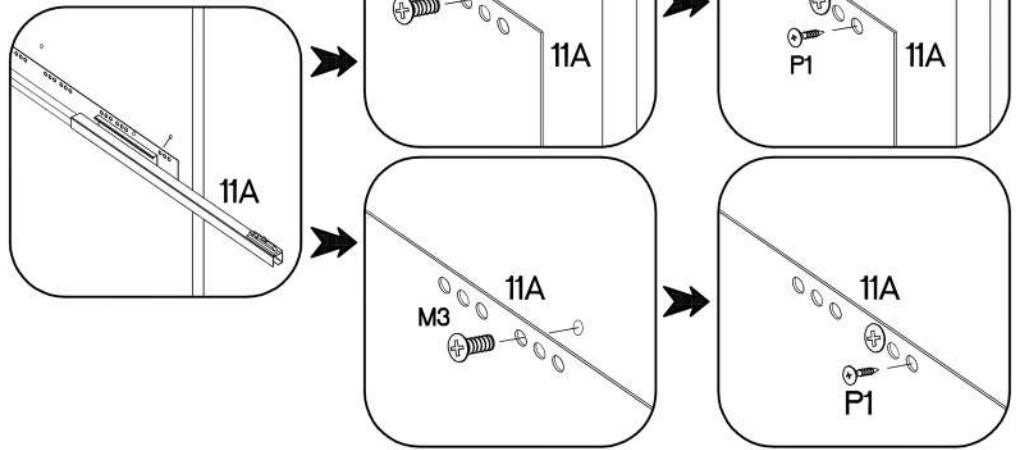
2

						
11D	11C	11E	P11	P5	11G	J5
1	1	2	4	8	2	2





3

		
11A	M3	P1
3	12	12



4

	
L=320mm	
	S
3	

