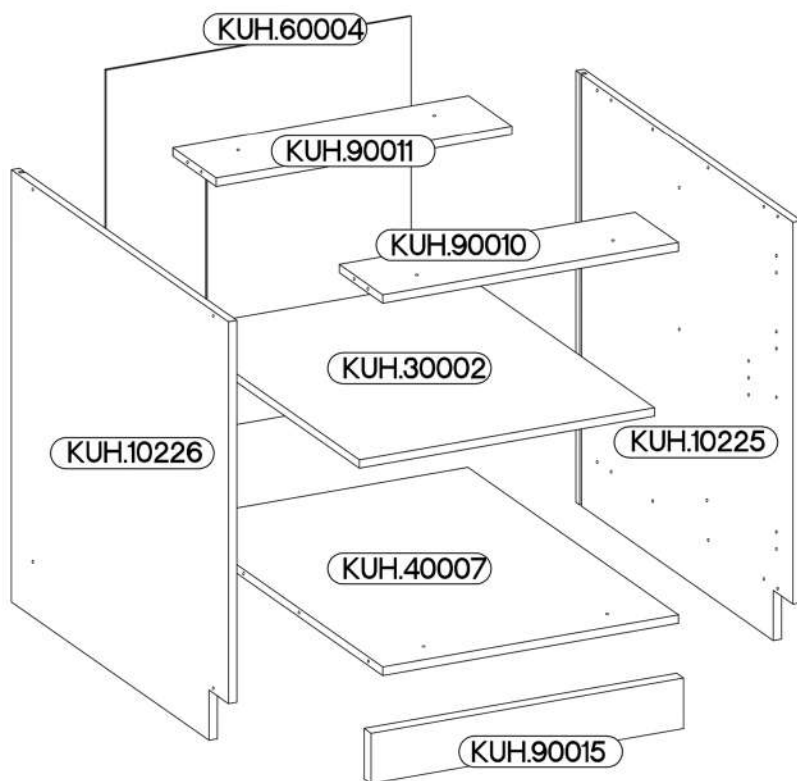
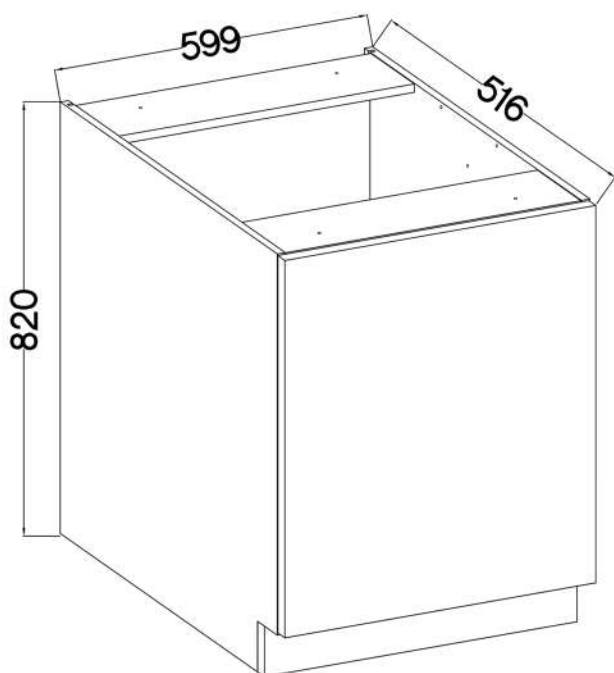
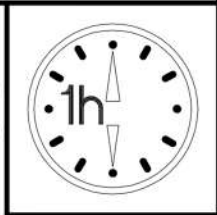


FRISBO 60 D 1F BB

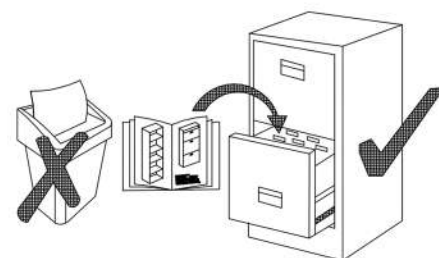


KUH.30002
KUH.40007

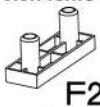



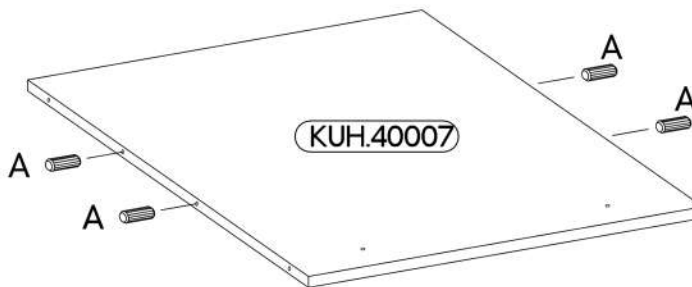
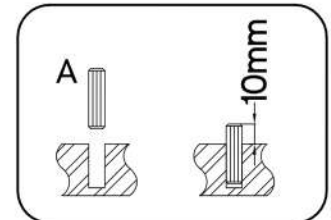
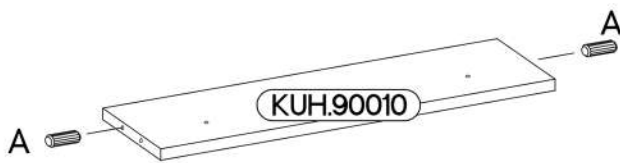
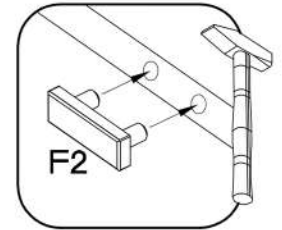
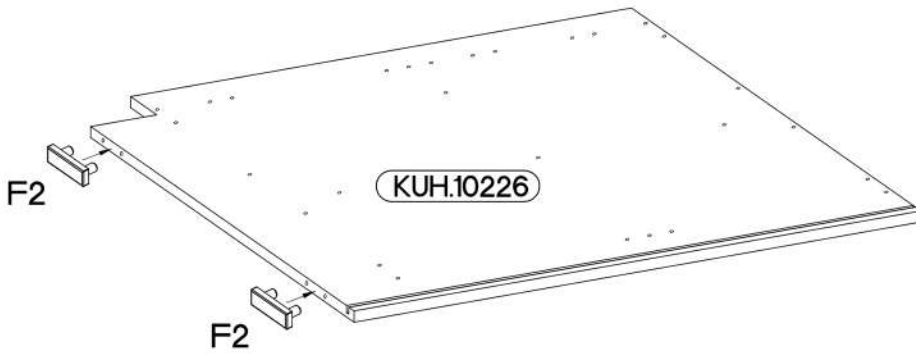
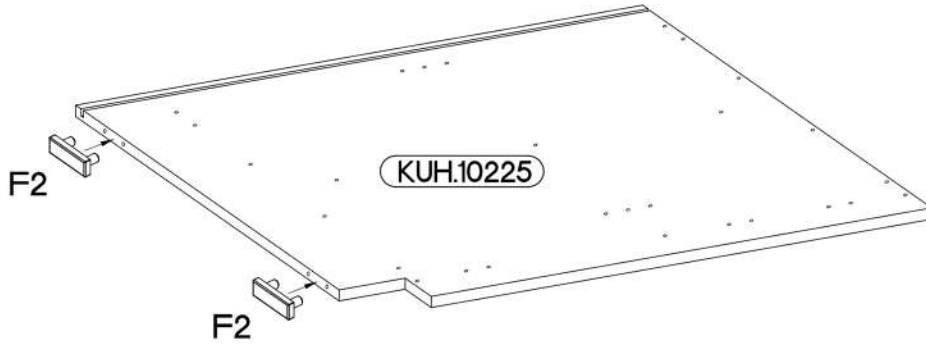
KUH.10225	815x500x16
KUH.10226	815x500x16
KUH.30002	566x430x16
KUH.40007	567x485x16
KUH.60004	713x585x2,5
KUH.90010	567x100x16
KUH.90011	567x100x16
KUH.90015	599x95x16

8x30mm A	6,4 x 50mm B			6.5x48x16 F2			
8	8	8	2	4			
			4.0x45mm P4	3.5x13mm P5	3.0x20mm P7	4.0x35mm R3	
2	4	1	2	4	8-10	4	






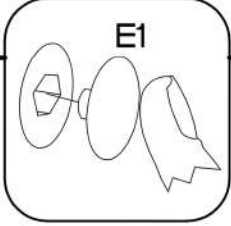
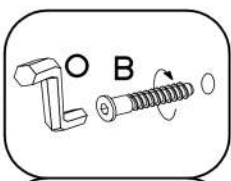
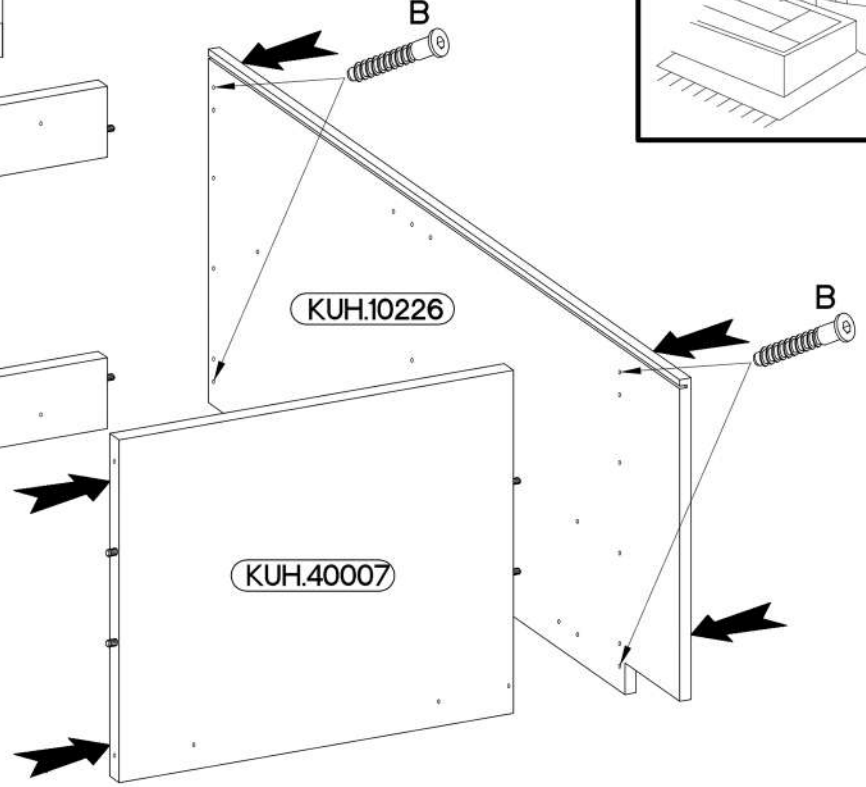
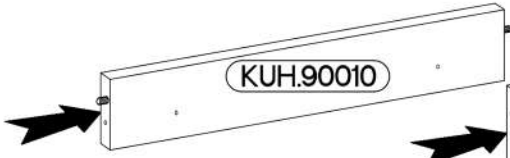
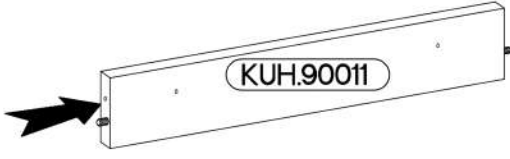
1

6.5x48x16  F2 4	+8x30mm  A 8
---	--

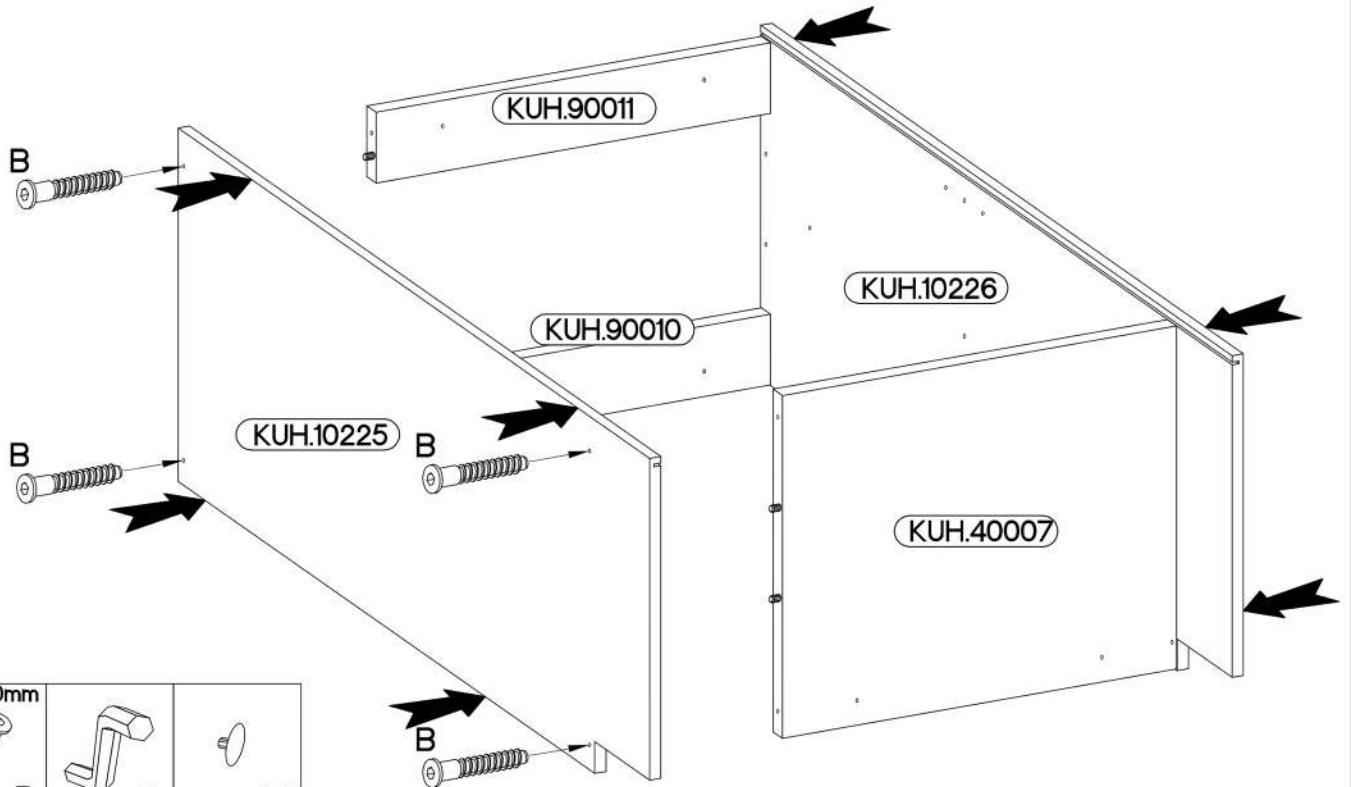





2

6,4 x 50mm		
		
B	O	E1
4	1	4

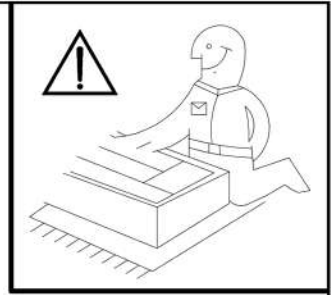
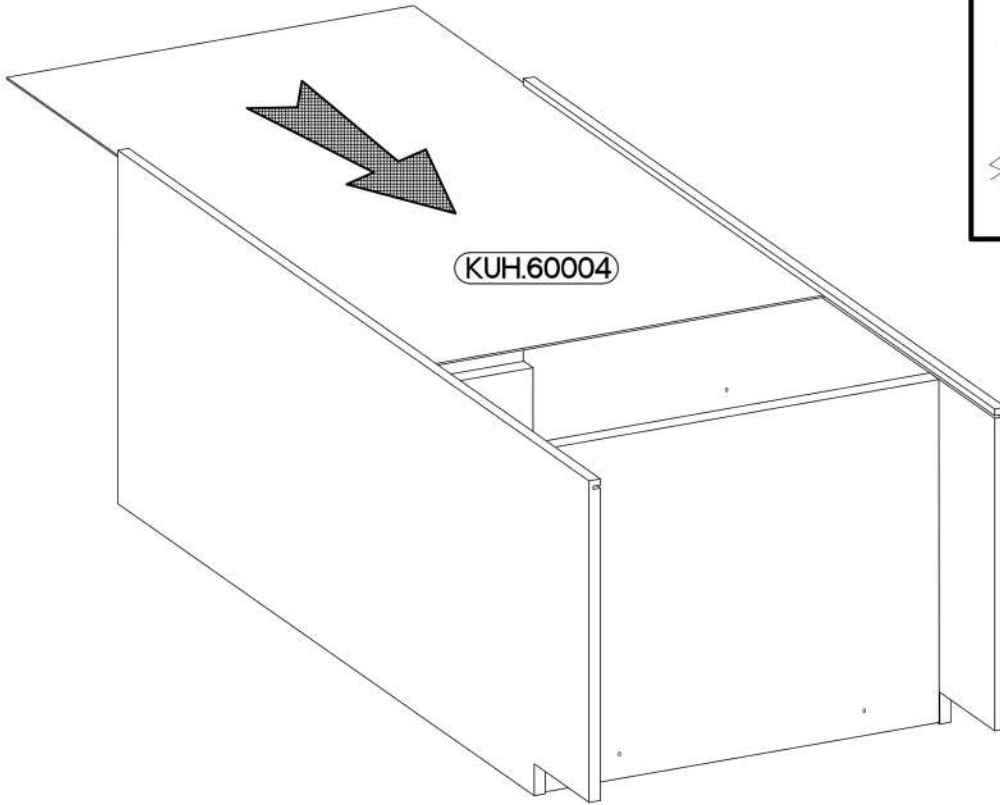


3

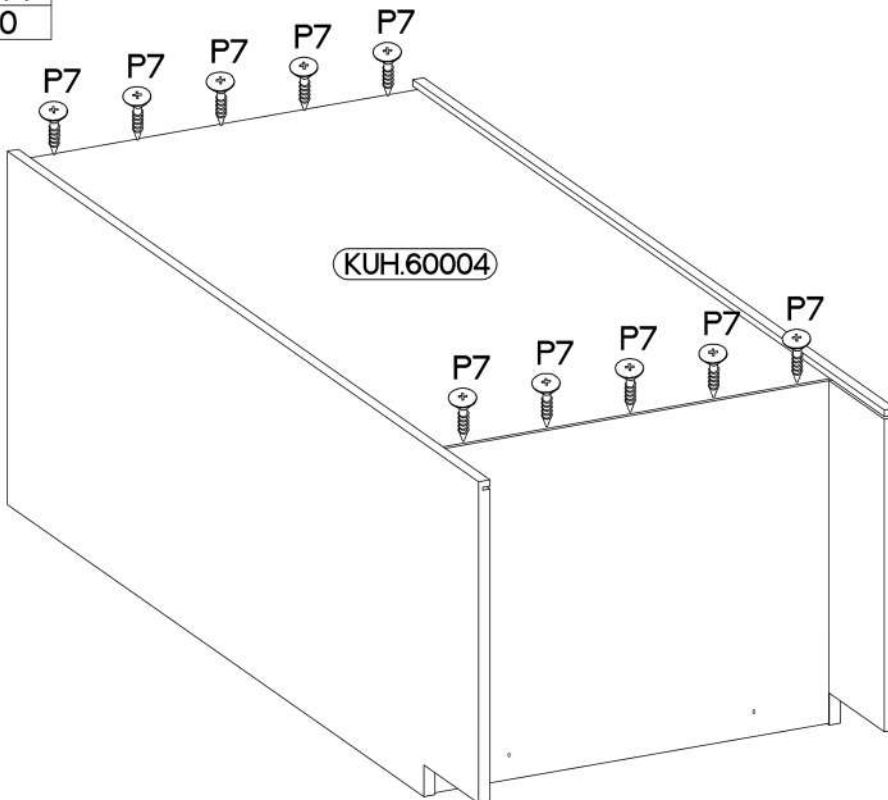
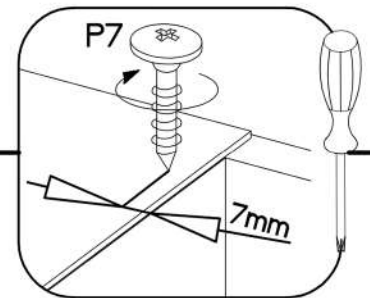
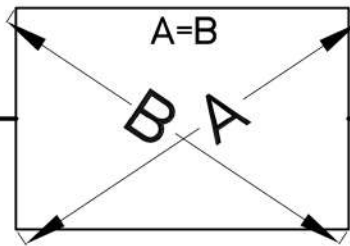


6,4 x 50mm		
		
B	O	E1
4	1	4



4

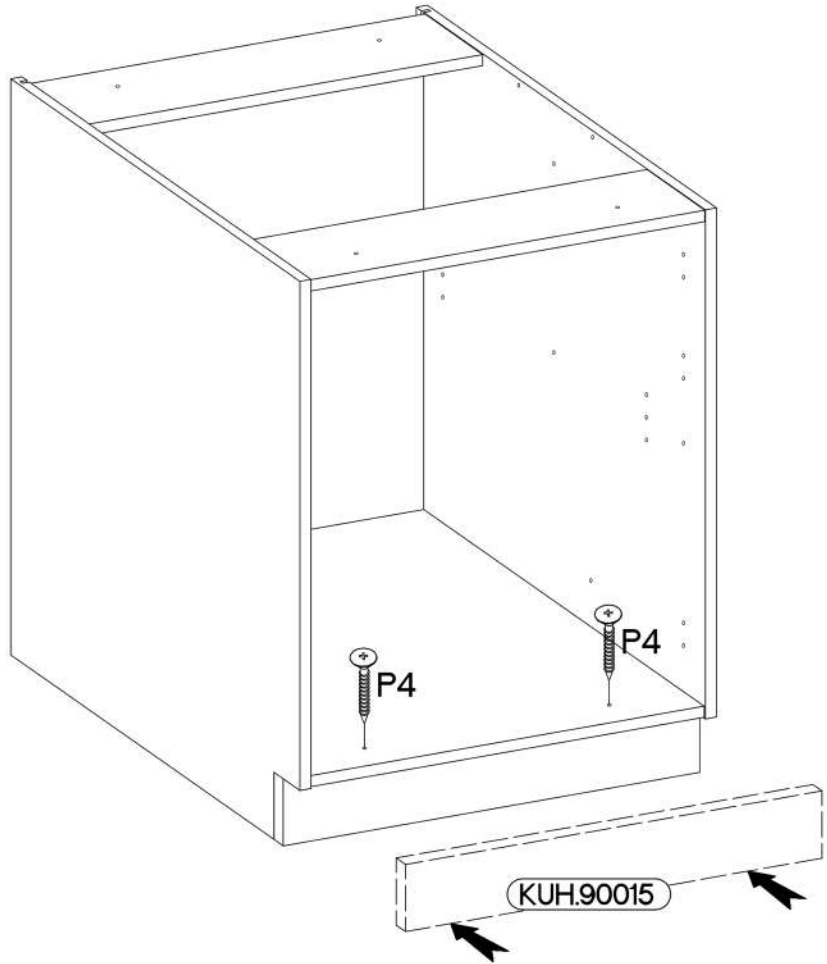
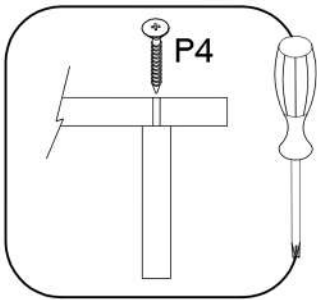


5




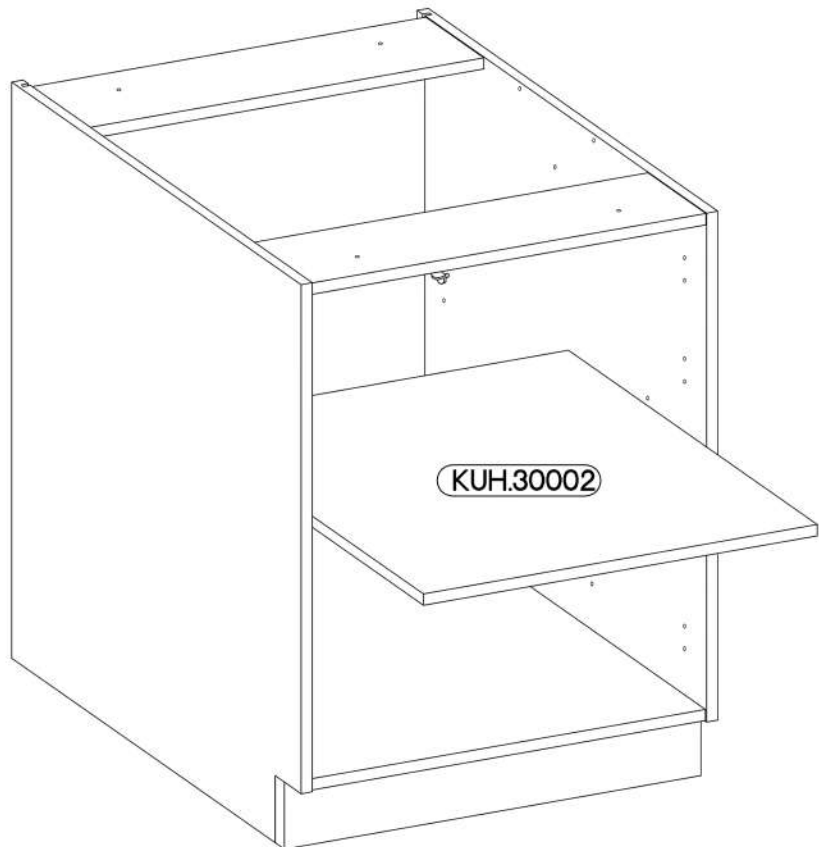
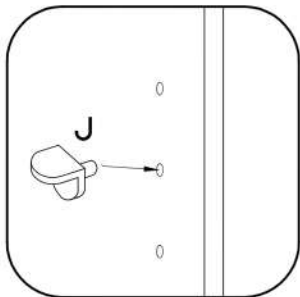
6

+4.0x45mm	
	
P4	E9
2	2



7

+5/19mm	
	J
4	



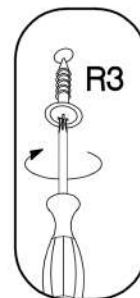
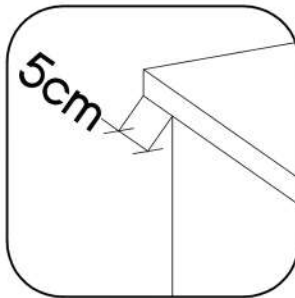
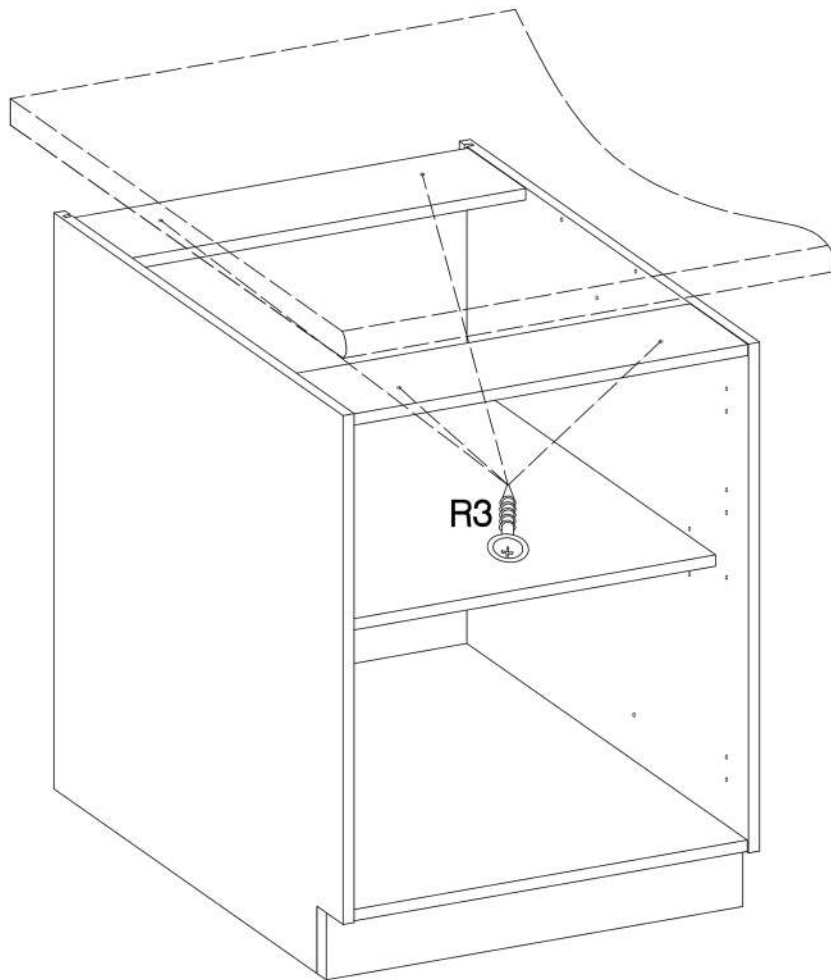
8

+4.0x35mm

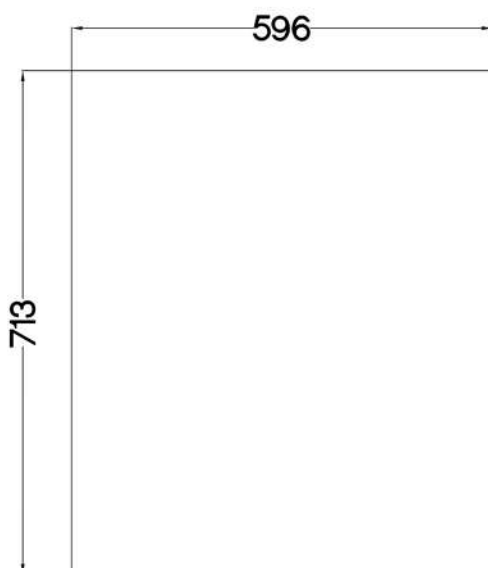


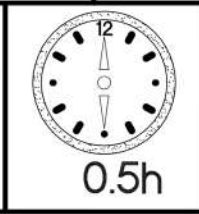
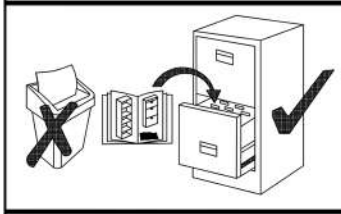
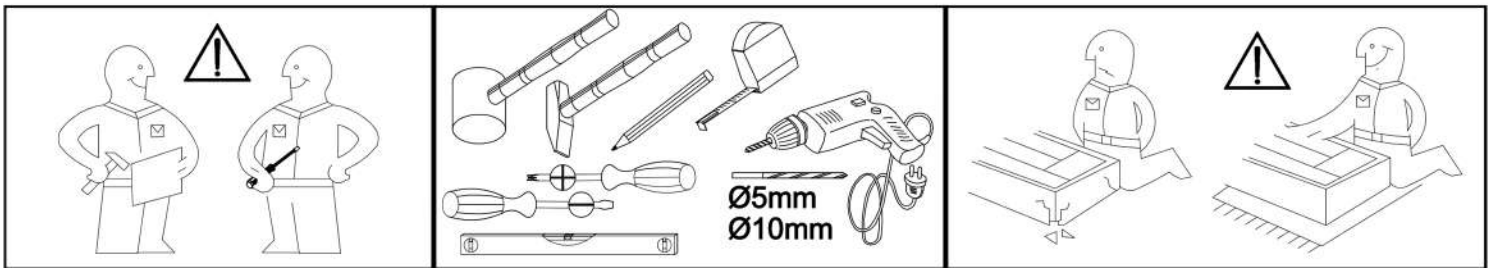
R3

4

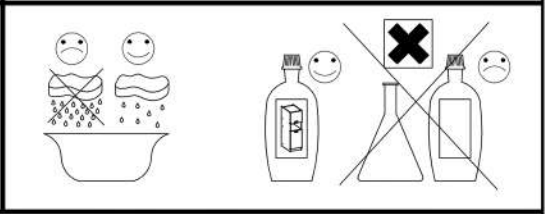


9

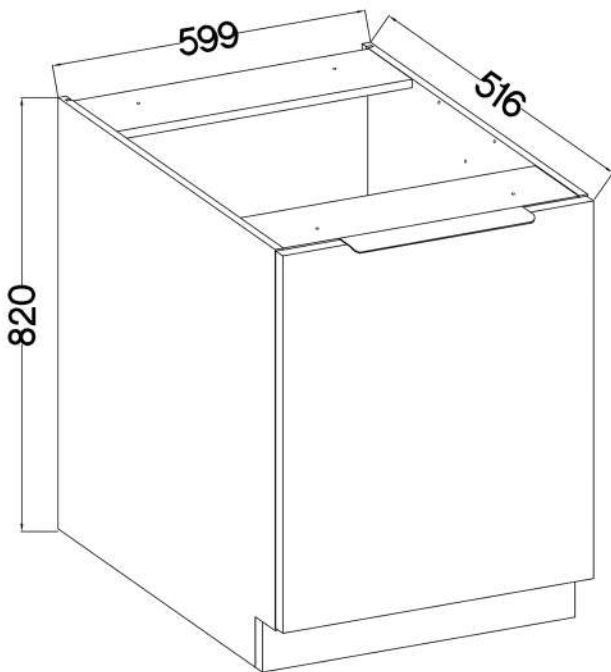




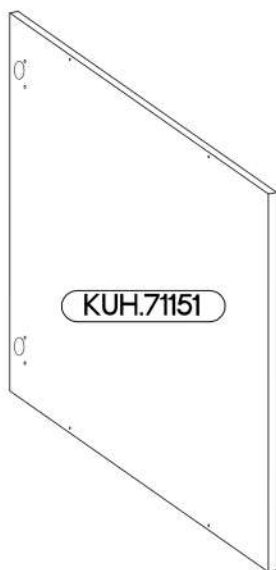
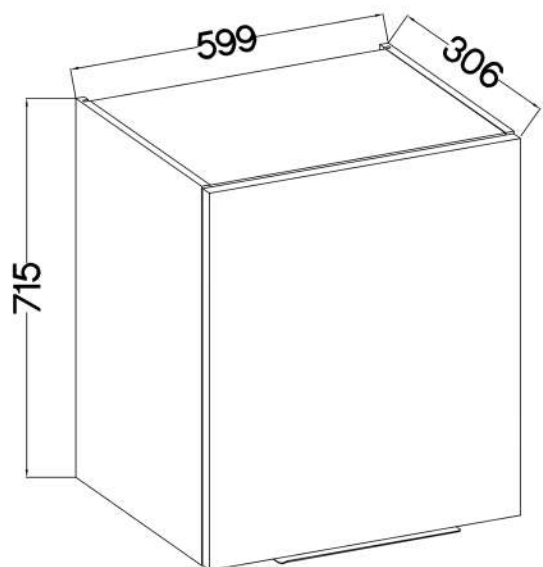
713x596



60 D 1F BB



60 G-72 1F






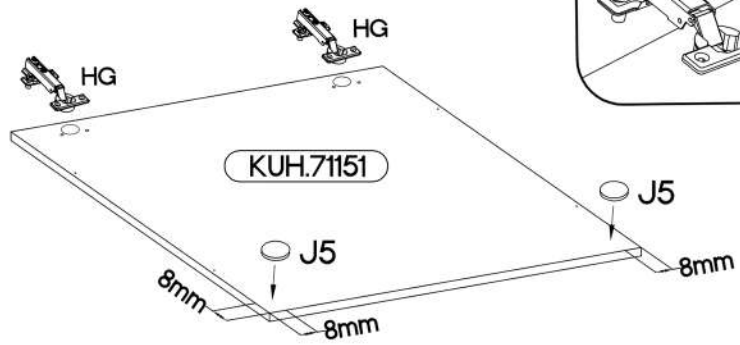
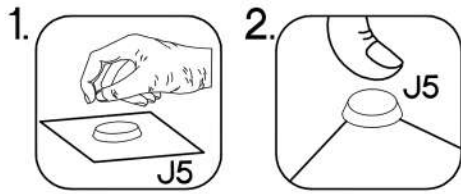
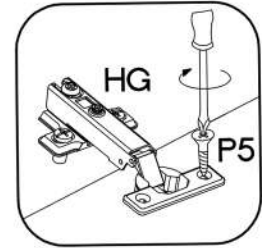
L=320mm	+7/2mm
S	J5
1	2

KUH.71151	713x596x16
-----------	------------


1

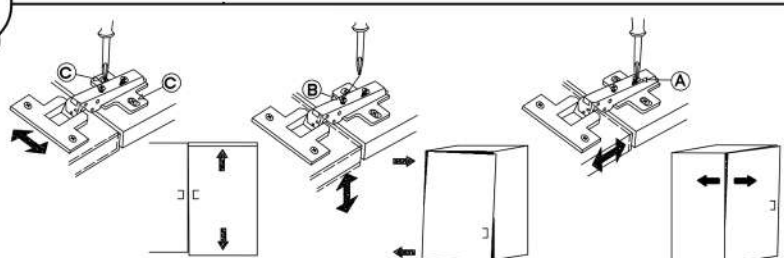
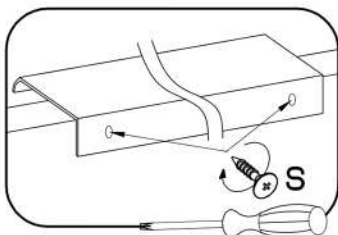
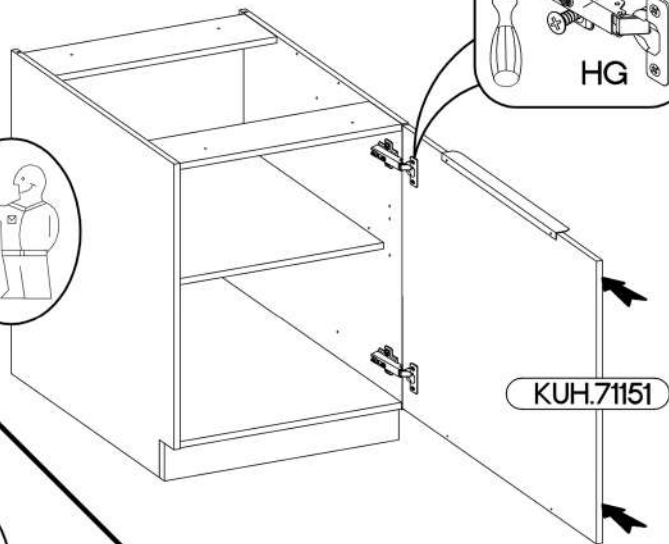
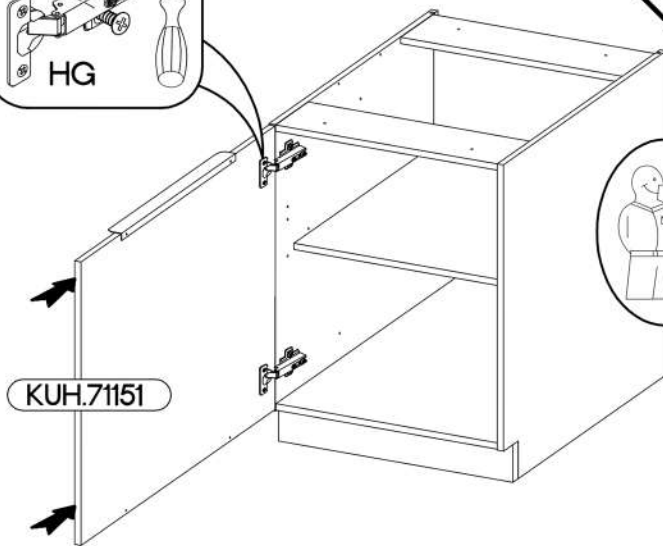
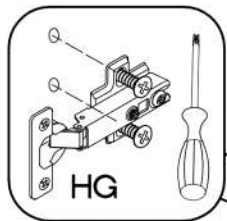
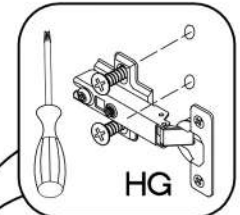
60 D 1F BB

±35/0mm	±3.5x13mm	±7/2mm
 HG	 P5	 J5
2	4	2



2

L=320mm
 S
1



3

60 G-72 1F

